



This spacious oval whirlpool bath offers practicality without sacrificing luxury.

Features:

- 5 directional jets including:
 - 1 back jet
 - 2 side jets
 - 2 foot jets
- High-gloss / high-impact acrylic
- Integral skirt with 2-panel access
- Molded tile flange
- On/Off air switch for safety and convenience
- Safety suction
- Sculpted armrests
- Lumbar back support
- Slip resistant bottom
- 1 B.H.P. pump - 5.5 Amps
- Multiple pump positions
- UL and IAPMO listed, factory tested
- 1-year limited factory warranty

Models:

- Whirlpool Air Soaker

60" x 42" x 20"

Tuscan

(E03 Skirted)



Options:

- Contoured neck support pillow
- Bath waste & overflows

Colors:

- White and Biscuit

Operating Gallons (approx.):

- Regular Usage - 45 gal.



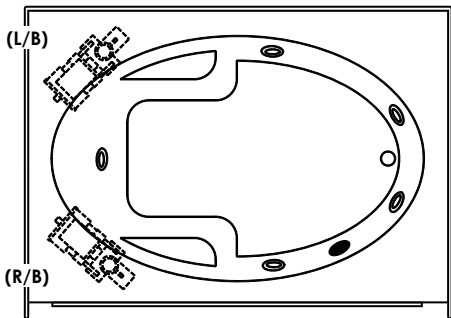
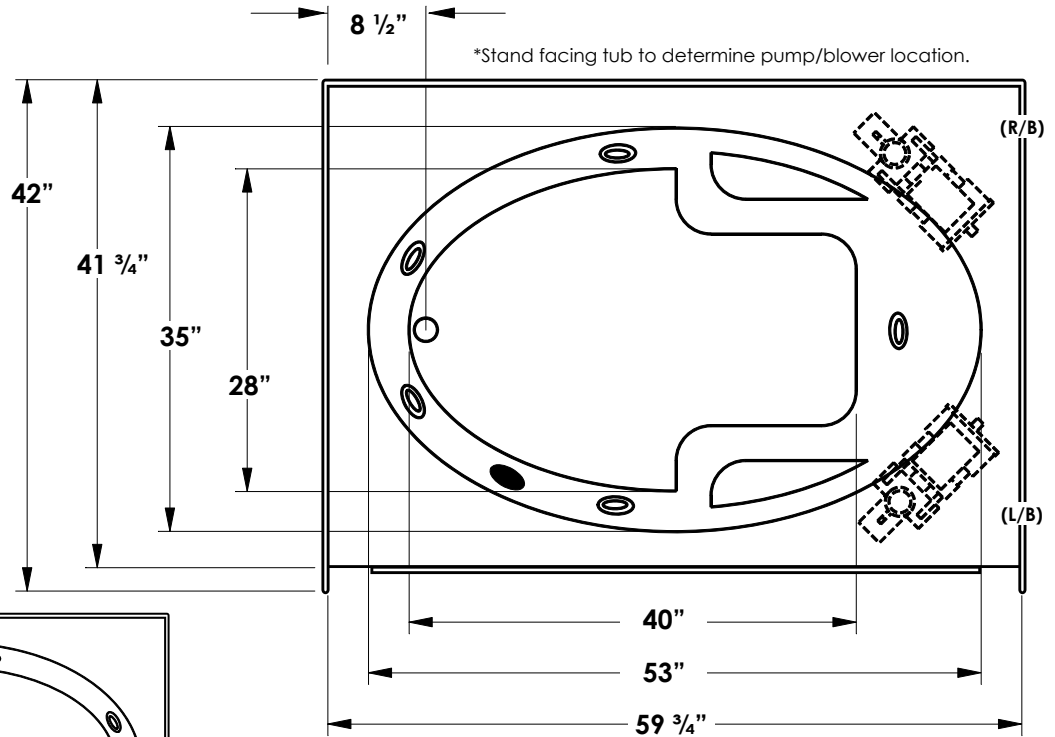
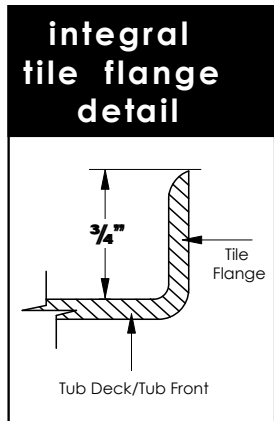
FOR INFORMATION
OR TO PLACE AN ORDER
CALL 1.800.288.7771


JETTACORP.COM

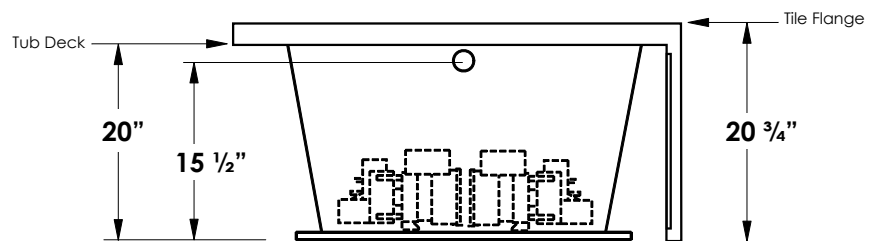
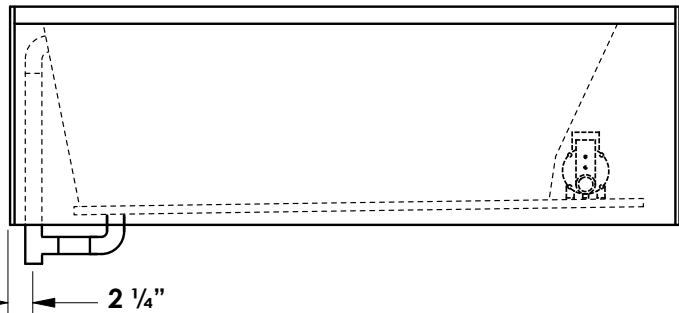
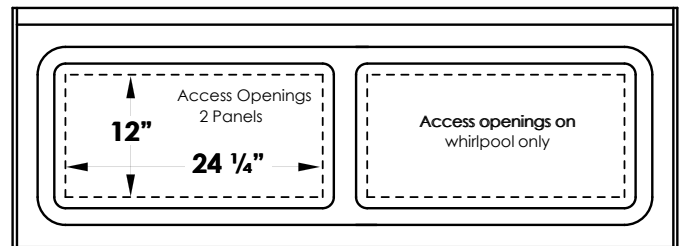
E03 Skirted

60" x 42" x 20"

Jetta Corporation Technical Specifications



*Stand facing tub to determine pump/blower location.



Electrical Specifications:

Required Electrical Service 110/115 Volts
 Standard Whirlpool 20 amp GFI
 Air Bath 20 amp GFI

Pump or blower must be protected by a dedicated GFI breaker. (Refer to local codes.)

Codes/Standards:

Specified model meets or exceeds the requirements for the following standards:
 UL Listed, ANSI, ASME, IAPMO

2-Panel Pump/Blower Access:

24.25" x 12"
 (Panels not removable with soaker models.)

Drop-In / Cut-Out Dimensions:

N/A

Shipping Weight: 220 lbs.



*L/B, R/B pump position determines suction location.

Installation: Measure tub before building tub deck. For best results, Jetta Corporation recommends 1"-3" of mortar bedding under the tub base for maximum support. Drawing shows manufacturer's standard pump location(s). Optional location(s) available at an additional cost depending on feasibility. Contact Jetta for details. Dimensional variance on drawings may be +/- 1/2 inch and are subject to change without notice.



© 2020 Jetta Corporation. All rights reserved. Specifications are subject to change without notice. REV 09/2020