

4DHP2

PRODUCT SPECIFICATIONS

MINI-SPLIT SINGLE ZONE
HEAT PUMP SYSTEMS - R-410A - 60 HZ

FORM NO. 4DHP2SINGLEZONE-100 (09/2023)



Wireless
Remote Controller
(furnished with
Wall-Mount and
Cassette Models)



D22C1/D33C2 Cassette
Non-Ducted Indoor Unit



DWM2 Wall-Mounted
Non-Ducted Indoor Unit



DMD2 Medium Static Ducted Indoor Unit
with Wired Remote Controller (furnished)



4DHP2S09 thru 36 Heat Pump Outdoor Units



4DHP2S48 Heat Pump Outdoor Unit



Certain models
have earned the
ENERGY STAR®
mark by meeting
strict energy
efficiency guidelines
set by the US EPA.

SEER - up to 25.50

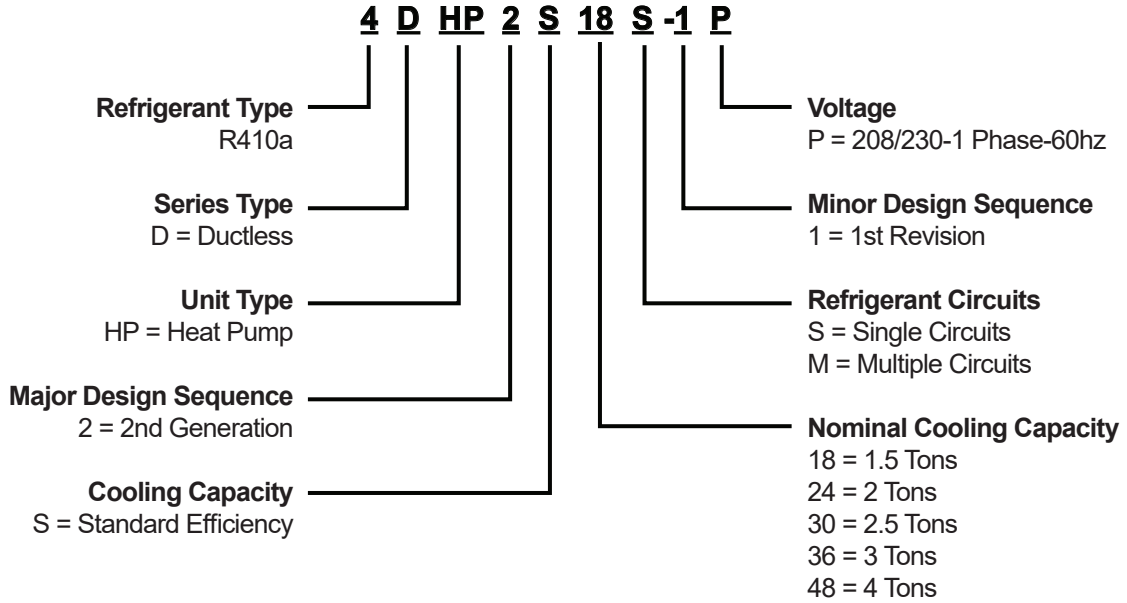
HSPF - up to 13.2

0.75 to 4 Tons

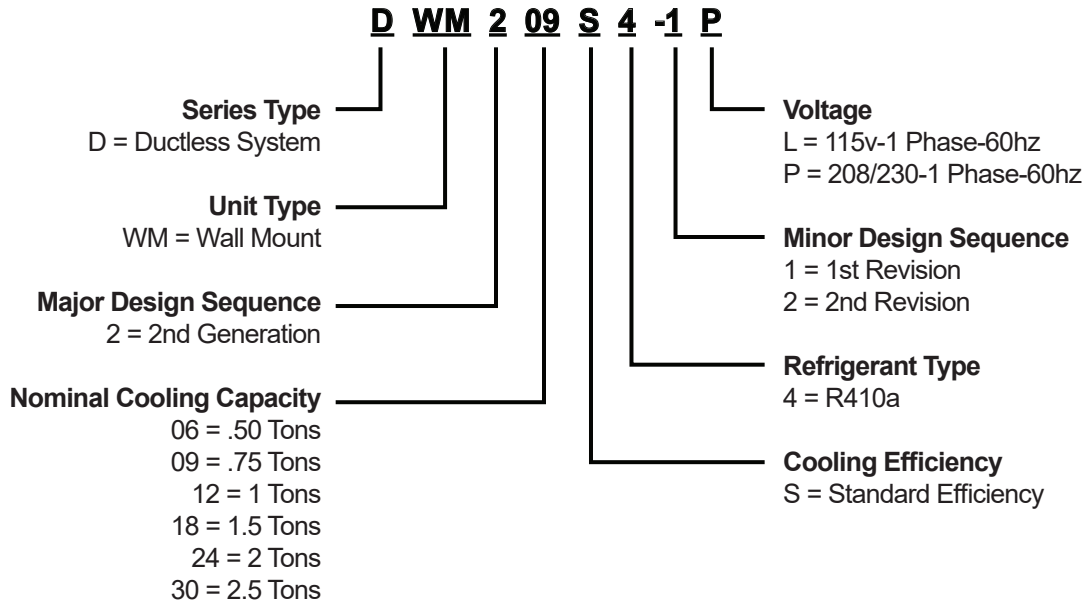
Cooling Capacity - 9,000 to 48,000 Btuh
Heating Capacity - 10,000 to 50,000 Btuh

MODEL NUMBER IDENTIFICATION

OUTDOOR SINGLE-ZONE HEAT PUMP UNITS

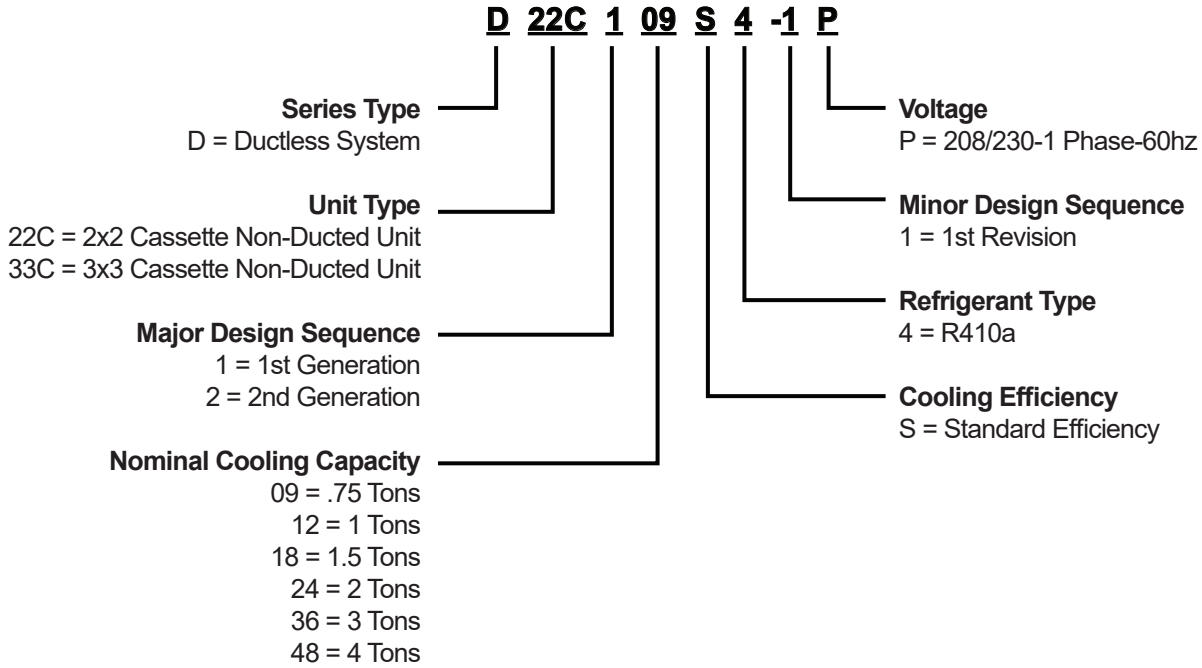


WALL-MOUNTED INDOOR UNITS

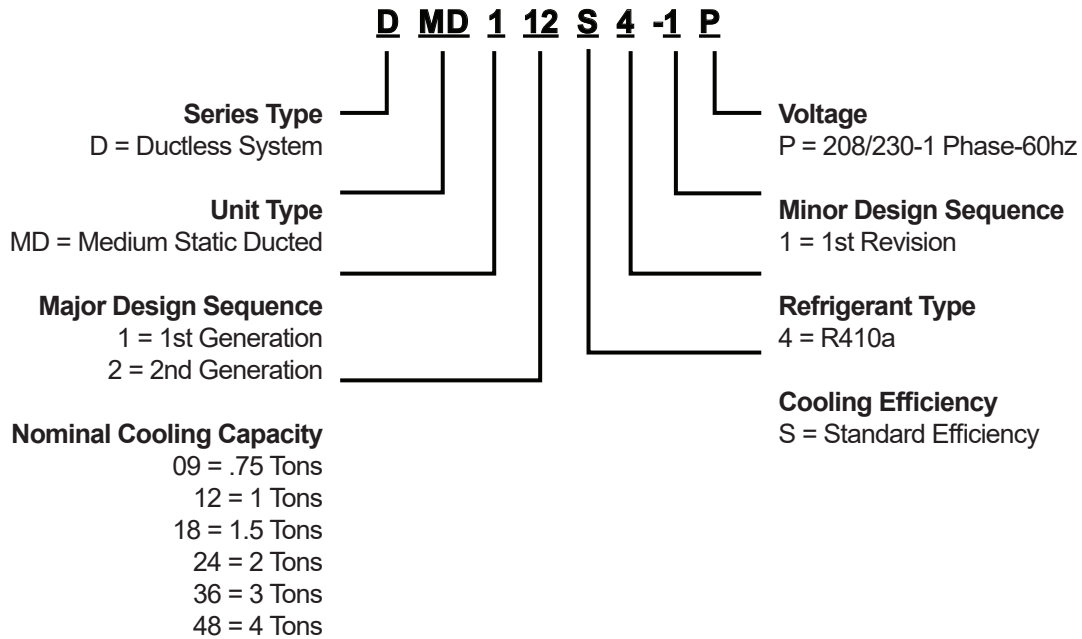


MODEL NUMBER IDENTIFICATION

CASSETTE INDOOR UNITS



DUCTED INDOOR UNITS



CONTENTS

| | |
|---|----|
| AHRI SYSTEM MATCHES | 31 |
| AIR THROW DATA | 41 |
| - CASSETTE INDOOR UNITS | 43 |
| - WALL-MOUNTED INDOOR UNITS | 41 |
| APPROVALS AND WARRANTY | 5 |
| BLOWER DATA | 45 |
| - MEDIUM STATIC DUCTED INDOOR UNITS | 45 |
| COOLING CAPACITY | 33 |
| DIMENSIONS | 51 |
| - CASSETTE INDOOR UNITS | 57 |
| - MEDIUM STATIC DUCTED INDOOR UNITS | 59 |
| - WALL-MOUNTED INDOOR UNITS | 55 |
| - WALL-MOUNTED INDOOR UNITS - WALL PLATES | 56 |
| FEATURES | 5 |
| - INDOOR UNITS | 7 |
| - OUTDOOR UNITS | 5 |
| HEATING CAPACITY | 33 |
| INSTALLATION CLEARANCES | 60 |
| - CASSETTE INDOOR UNITS | 61 |
| - MEDIUM STATIC DUCTED INDOOR UNITS | 62 |
| - OUTDOOR UNITS | 60 |
| - WALL-MOUNTED INDOOR UNITS | 61 |
| LINE SET AND ELEVATION GUIDELINES | 63 |
| MODEL NUMBER IDENTIFICATION | 2 |
| OPTIONAL ACCESSORIES - ORDER SEPARATELY | 30 |
| REMOTE CONTROLLERS - FURNISHED | 9 |
| SOUND LEVELS - TEST CONDITIONS | 32 |
| SPECIFICATIONS | 24 |
| - CASSETTE INDOOR UNITS | 28 |
| - MEDIUM STATIC DUCTED INDOOR UNITS | 29 |
| - OUTDOOR UNITS - 0.75 TON 1.5 TON | 24 |
| - OUTDOOR UNITS - 2 TON 2.5 TON | 25 |
| - OUTDOOR UNITS - 3 TON 4 TON | 26 |
| - WALL-MOUNTED INDOOR UNITS | 27 |

APPROVALS AND WARRANTY

APPROVALS

- AHRI Standard 210/240 certified with Addenda 1 and 2
- ENERGY STAR® certified units (certain models) are designed to use less energy, help save money on utility bills, and help protect the environment
- Rated According to U.S. Department of Energy (DOE) test procedures
- Indoor and outdoor units and components UL and CEC bonded for grounding to meet safety standards for servicing
- ETL certified for the U.S. and Canada
- Meets 2014 Florida Building Code Wind Design Criteria
 - Ultimate Wind Speed – 186 miles per hour
 - Risk Categories – III and IV
 - Wind Exposures – C and D
 - Mean Roof Heights – Up to 60 feet above ground

WARRANTY

- Compressor - Limited seven years
- All other covered components
 - Limited five years in residential applications
 - Limited one year in non-residential applications
- Accessories and controls - Limited one year

NOTE - Refer to Equipment Limited Warranty certificate included with unit for specific details.

FEATURES

APPLICATIONS

- 0.75 through 4 ton
- Single phase power supply (208/230V)
- Outdoor unit sound levels as low as 53 dBA
- Indoor unit sound levels as low as 23 dBA
- Ductless mini-split systems provide a wide range of capacities and applications and provide an alternative when a ducted system is impractical or cost prohibitive
- Units shipped completely factory assembled, internally piped, and wired

NOTE - Outdoor unit is designed for outdoor location only.

NOTE - it is recommended that Medium Static Ducted Indoor Units not be installed in unconditioned spaces with temperatures above 100°F.

REFRIGERATION SYSTEM

R-410A Refrigerant

- Non-chlorine, ozone friendly
- Unit is factory pre-charged

Outdoor Coil

- Aluminum fins fitted to copper tubes
- Wire grille guard provided

Outdoor Fan

- Direct drive fan moves large air volumes uniformly through entire outdoor coil for high refrigeration capacity.
- Fan guard provided

OUTDOOR UNITS

Refrigerant Line Connections, Service Valve

- Flare connection lines are located on side of unit cabinet
- Fully serviceable brass service valve prevents corrosion and provides access to refrigerant system

COMPRESSOR

Variable Frequency Rotary Compressor

- Compressor features high efficiency operation
- Balanced for reduced vibration and quiet operation
- Brushless DC motor uses powerful Neodymium magnets, which are approximately 15-20 times stronger than ferrite magnets used in conventional AC compressors

Compressor Crankcase Heater

- Protects against liquid refrigerant migration that can occur during low ambient operation

CONTROLS

DC Inverter Control

- Provides continuous operation, while adjusting capacity according to room temperature
- The accurate sensing of cooling loads prevents frequent changes in capacity and ensures efficient, economical operation

Inverter Module Protection

- Protects against differences in current, voltage and temperature
- Displays code on the indoor unit indicating a need for servicing

FEATURES**OUTDOOR UNITS****CONTROLS (continued)****Outdoor Unit Microprocessor**

- Electronic expansion valve control
- Automatic compressor timed-off protection (3 minutes)
- Temperature sensor
- LEDs on control display error codes and assist in troubleshooting
- 4-Way reversing valve control

Electronic Expansion Valve

- Furnished on all models

Compressor Overcurrent Protection

- Overcurrent protection can result due to any of the following:
 - Ambient temperature is too high
 - Locked rotor on the compressor
 - Outdoor air is blocked or restricted

Condenser High Temperature Protection

- Condenser high temperature can occur due to any of the following conditions:
 - High outdoor ambient
 - Outdoor fan blocked
 - Outdoor coil blocked
- The outdoor coil thermistor continuously monitors the temperature and communicates with the microprocessor
- Depending on the temperature measured, the compressor will be allowed to increase the frequency if needed to meet the load or is forced to run at the current or reduced frequency
- If the temperature becomes excessively high the compressor will be de-energized

Compressor Discharge Temperature Protection

- The compressor discharge line thermistor continuously monitors the temperature and communicates with the microprocessor
- Depending on the temperature measured, the compressor will be allowed to increase the frequency to meet the load or is forced to run at the current or reduced frequency
- If the temperature becomes excessively high, the compressor will be de-energized

Voltage Protection

- Protects unit from low or high voltage fluctuations

Terminal Strip

- Furnished for easy wiring connections

Automatic Piping/Wiring Correction

- Automatically checks piping/wiring connections
- A "Check Switch" on outdoor unit control reviews zone wiring and piping connections and displays "CE" if all connections are correct
- If a unit(s) is not connected to the correct zone the control will automatically remap the wiring to the correct zone based on indoor unit size

Defrost Control

- Defrost cycle is automatically enabled if there is a build-up of frost on the outdoor coil
- Outdoor fan operation is terminated during the defrost cycle
- Indoor fan changes to ultra low speed during the defrost cycle to help bring warm refrigerant back to the outdoor coil to assist during defrost operation
- Defrost LED is lit on the indoor unit panel on the front cover during a defrost cycle

Reversing Valve

- 4-way interchange reversing valve effects a rapid change in direction of refrigerant flow resulting in quick changeover from cooling to heating and vice versa
- Valve operates on pressure differential between outdoor unit and indoor unit of the system

CABINET

- Constructed of heavy gauge steel
- Tabs on unit base allow secure mounting to slab
- Condensate drain outlets furnished on unit base

NOTE - Drain must be field furnished.

- Pan heater prevents ice build-up in the bottom of the unit during heating operation
- Access cover for power and control wiring connections
- Access cover for service valves

FEATURES**INDOOR UNITS****WALL-MOUNTED INDOOR UNITS**

- Low-sound, three-speed Wall Mount with LED display offers three access points for refrigerant outlet pipes: left, right or rear
- The front panel can be raised for accessible wiring and maintenance
- Swing louver angles to 90°
- Unit installs horizontally on a vertical wall
- **Pre-Heat Function** - Delays the operation of the fan until the indoor coil has reached a pre-determined temperature which prevents the discharge of cold air while the system is operating in the "heating" mode
- **LED Readout** - Mounted on unit. LED displays unit operation status, and codes for maintenance and servicing
- **Auto Restart** - Automatically restores the previous function setting if power is interrupted
- **Cooling Override** - Button on the indoor unit allows a temporary 30 minute override of the system for forced "AUTO" or "COOLING" operation
- **Flare Connections** - Equipped with liquid and gas flare fittings for quick and secure piping
- **Multi-Refrigerant Outlet** - Allows left, right, or rear access for refrigeration line connection
- **Three Speed Fan** - Fan functions at three speeds: low, medium and high
- **Air Filter** - Cleanable air filter is furnished as standard
- **Wireless Remote Controller** - Furnished as standard, see Page 9

CASSETTE INDOOR UNITS

- Low-sound and encased in galvanized steel, the Cassette unit with LED display offers 360° airflow for immediate, equal distribution of wide-range cooling and heating
- 360° Airflow Panel - Allows for even, wide-range cooling and heating
- **Pre-Heat Function** - Delays the operation of the fan until the indoor coil has reached a pre-determined temperature which prevents the discharge of cold air while the system is operating in the "heating" mode
- **LED Readout/Infrared Receiver Panel** - Mounted on unit. LEDs display unit operation status, and codes for maintenance and servicing
- Infrared receiver for use with wireless remote controller (furnished)
- **Auto Restart** - Automatically restores the previous function setting if power is interrupted
- **Cooling Override** - Button on the indoor unit allows a temporary 30 minute override of the system for forced "AUTO" or "COOLING" operation
- **Built-In Condensate Pump** - 27-1/2 in. maximum lift
- **Compact Design** - Allows accessible wiring and space-saving installation with reduced width and depth
- **Flare Connections** - Equipped with liquid and gas flare fittings for quick and secure piping
- **Three Speed Fan** - Fan functions at three speeds: low, medium and high
- **Turbo Fan With Backward Curved Blades** - Reduces sound levels and air resistance
- **Air Filter** - Cleanable air filter is furnished as standard
- **Wireless Remote Controller** - Furnished as standard, see Page 15 for D22C1 and Page 12 for D33C2

NOTE - The cassette panel must be ordered separately. See Specifications table for ordering information.

FEATURES**INDOOR UNITS****MEDIUM STATIC DUCTED INDOOR UNITS**

- Slim, compact design for limited space requirements. Installs out of sight between the drop ceiling and ceiling slab with ducted distribution to the indoor space
- **Pre-Heat Function** - Delays the operation of the fan until the indoor coil has reached a pre-determined temperature which prevents the discharge of cold air while the system is operating in the "heating" mode
- **LED Readout Panel** - Mounted in the unit control box unit. LEDs display unit operation status, and codes for maintenance and servicing
- **Auto Restart** - Automatically restores the previous function setting if power is interrupted
- **Cooling Override** - Button on the indoor unit allows a temporary 30 minute override of the system for forced "AUTO" or "COOLING" operation
- **Built-In Condensate Pump** - 27-1/2 inch lift
- **Duct Connections** - Return air connections can be made horizontally or from the bottom of the unit with interchangeable panel
- **Flare Connections** - Equipped with liquid and gas flare fittings for quick and secure piping
- **Three Speed Fan** - Fan functions at three speeds: low, medium and high
- **Air Filter** - Cleanable air filter is furnished as standard
- **Wired Remote Controller** - Furnished as standard, see Page 9

AUTO CHANGEOVER OPERATION

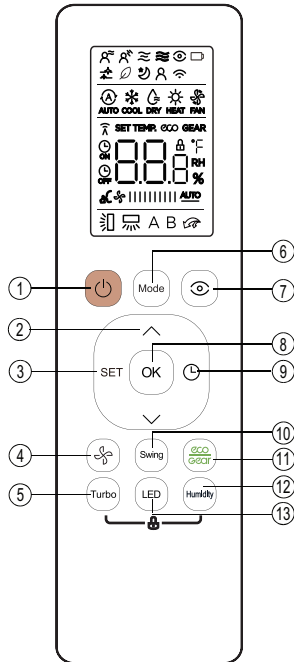
- If the indoor unit is set to "AUTO" mode the unit will operate in cooling, heating or fan mode based on temperature setting
- Fan runs in auto mode

REMOTE CONTROLLERS - FURNISHED

WIRELESS REMOTE CONTROLLER (RG10L-WMWH)

(FURNISHED WITH WALL-MOUNT INDOOR UNITS)

- Complete remote control of system
- Maximum operating range is 25 ft.
- Operates on two AAA 1.5V batteries (furnished)
- Wireless remote controller holder furnished
- Holder can be mounted on a wall for easy access
- Mounting screws furnished



1 ON/OFF Button

- Turns system on and off

2 UP/DOWN Buttons ^ v





- Increase or decrease the indoor temperature in one degree increments (maximum 86°F, minimum 60°F)

NOTE - Temperature cannot be adjusted in FAN mode.

NOTE - Press and hold and buttons together for 3 seconds to alternate the temperature display between the °C and °F scale.

3 SET Button

- Scrolls through unit operations in this order:

1. Breeze Away 
2. Active Clean 
3. Sleep 
4. Follow Me 

NOTE - The selected symbol will flash on the display area. Press the OK button to confirm.

4 FAN Button

- Cycles fan speeds in the following order:
 - AUTO → 20% → 40% → 60% → 80% → 100%

5 TURBO Button

- Enables the unit to reach the preset temperature during cooling or heating operation in the shortest time

6 MODE Button

- Select system operation modes
- Press button to cycle through each setting:
 - AUTO → COOL → DRY → HEAT → FAN

7 ECO INTELLIGENT EYE Button

- Automatically detects human activity in the room
- If there is no activity for 30 minutes sensor reduces compressor operating frequency for cooling/heating/auto modes for increased efficiency
- Remains in this mode until activity is detected again

8 OK Button

- Confirms selected function

9 TIMER Button

- Initiates an auto-on or auto-off time sequence
- Press TIMER button to initiate the ON time sequence
- Press Temp. up or down button for multiple times to set the desired time to turn on the unit
- Press TIMER button to initiate the OFF time sequence.

NOTE - Each press of the button increases or decreases the time (depending on function) in 30 minute increments up to 10 hours.

Above 10 hours each press of the button will increase or decrease the auto-timed setting by 60 minutes up to 24 hours.

To cancel, set timer to 0.0 or turn remote off and on.

10 SWING Button

- Used to stop or start louver auto swing feature

11 ECO/GEAR Button

- Controls temperature/energy efficiency of the unit

NOTE - Only available in cooling mode.

ECO Operation

- Sets unit to 75°F unit operation if setpoint is lower
- Sets fan to Auto operation if setpoint is over 75°F

NOTE - If setpoint is manually changed to less than 75°F, ECO operation is canceled.

GEAR Operation

- Reduces electrical consumption to 75% or 50%

12 HUMIDITY Button

- Adjusts the room humidity during DRY mode from 35% to 85%
- Each press of the button increases the humidity in 5% increments

13 LED Button

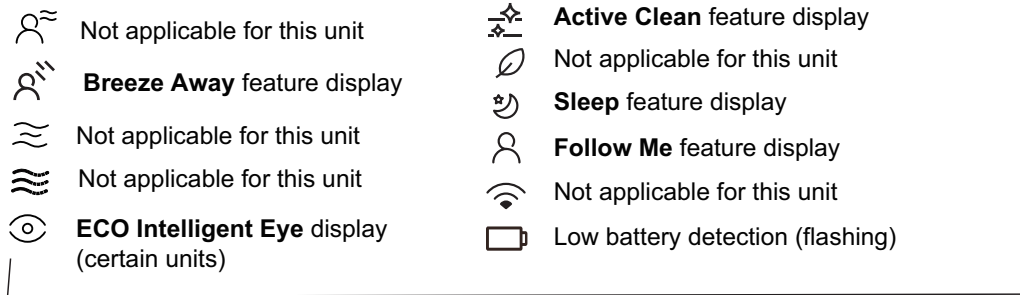
- Turns the LCD display backlight on the indoor unit on or off

NOTE - Press and hold the button for 5 seconds to display the actual room temperature. Press more than 5 seconds to revert back to display set temperature.

REMOTE CONTROLLERS - FURNISHED

WIRELESS REMOTE CONTROLLER INDICATORS (RG10L-WMWH)

Information is displayed when the Wireless Remote Controller is powered on.



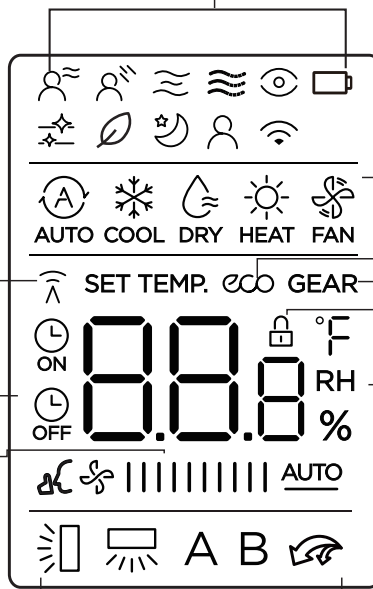
Transmission Indicator
Lights up when remote sends signal to indoor unit

TIMER ON display
 TIMER OFF display
 Silence feature display

FAN SPEED display
Displays selected fan speed:

| | | |
|---------|-------------|----------|
| Silence | | 1% |
| LOW | | 2%-20% |
| MED | | 21%-40% |
| HIGH | | 41%-60% |
| | | 61%-80% |
| | | 81%-100% |
| AUTO | AUTO | |

NOTE - Fan speed cannot be adjusted in AUTO or DRY mode.



MODE display
Displays the current mode, including:
 AUTO **COOL** **DRY** **HEAT** **FAN**

ECO display
Displays when ECO feature is activated

GEAR display
Displays when GEAR feature is activated

LOCK display
Displays when LOCK feature is activated.

Temperature/Timer/Fan speed/Relative Humidity display
Displays the set temperature by default, or fan speed or timer setting when using **TIMER ON/OFF** functions.

- Temperature range: 60-86°F / 16-30°C
- Timer setting range: 0-24 hours
- Fan speed setting range: AU -100%
- Humidity setting range: 35% - 85%

This display is blank when operating in **FAN** mode.

Up/Down louver swing display

Left/Right louver auto swing display

TURBO mode display

A Not applicable for this unit
B Not applicable for this unit

Note:
All icons are shown for display purposes only.
During actual unit operation, only active icons are displayed.

REMOTE CONTROLLERS - FURNISHED

WIRELESS REMOTE CONTROLLER OPERATION (RG10L-WMWH)

Auto Operation

1. Press the **MODE** button to select Auto.
2. Press the **UP/DOWN** button to set the desired temperature.
3. Press the **ON/OFF** button to start the system.

Cooling /Heating/Fan Operation

1. Press the **MODE** button to select **COOL, HEAT or FAN** mode.
2. Press the **UP/DOWN** buttons to set the desired temperature.
3. Press the **FAN** button to select the fan speed.
4. Press the **ON/OFF** button to start the system.

Dehumidifying (DRY) Operation

1. Press the **MODE** button to select **DRY** mode.
2. Press the **UP/DOWN** buttons to set the desired temperature.
3. Press the **ON/OFF** button to start the system.

NOTE - Fan speed selection is disabled.

Timer ON/OFF Operation

1. Press the **TIMER** button. The remote controller shows **TIMER ON** or **TIMER OFF** icon
2. Press the **TIMER** button again to set desired time. Each time the button is pressed the time increases by 30 minutes between 0 and 10 hours and then by 60 minutes between 10 and 24 hours.
3. After setting the **TIMER ON** or **TIMER OFF** there will be a one second delay before the remote controller transmits the signal to the unit. After approximately 2 seconds the set temperature will re-appear on the LCD display window.

Silence Operation

1. Press the **FAN** button for more than 2 seconds to activate or disable the Silence function

Lock Function

1. Press the **TURBO** and **HUMIDITY** buttons together two times in less than one second to lock the Controller to prevent tampering
2. Press the **TURBO** and **HUMIDITY** together buttons again for two seconds to unlock the Controller

Swing Function

1. Press the Swing button to activate up/down louver operation. Louvers oscillate up and down automatically. Press and hold the Swing button again to disable.

NOTE - Pressing the Swing button multiple times will set the louvers at five different fixed airflow angles.

2. Press and hold Swing button for 2 seconds to activate left/right louver operation. Louvers swing left and right automatically.

SET BUTTON FUNCTIONS

Breeze Away

- Prevents unit from blowing air directly on a person

NOTE - Only available in COOL, FAN or DRY modes.

Active Clean

- Washes away dust, mold, and grease that may cause odors when it adheres to the indoor coil by automatically freezing and then rapidly thawing the coil
- Indoor unit displays "CL"

- After 20 to 45 minutes the unit will automatically turn cancel the operation

NOTE - Only available in COOL or DRY modes.

Sleep

- Enables the system to automatically increase cooling or decrease heating (in 2°F increments) per hour for the first 2 hours, then maintain a steady temperature for 5 hours
- System keeps the final operation mode after 8 total hours of operation

NOTE - To cancel, push the "MODE", "FAN SPEED" or "ON/OFF" buttons.

SLEEP mode is only available when the unit is in COOL, HEAT or AUTO mode

Follow Me

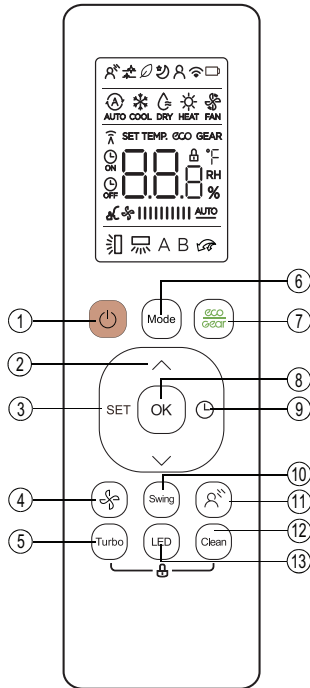
- Allows remote temperature sensing of the room at the remote controller location

REMOTE CONTROLLERS - FURNISHED

WIRELESS REMOTE CONTROLLER (RG10A-ACSWH)

(FURNISHED WITH D33C2 CASSETTE INDOOR UNITS)

- Complete remote control of system
- Maximum operating range is 25 ft.
- Operates on two AAA 1.5V batteries (furnished)
- Wireless remote controller holder furnished
- Holder can be mounted on a wall for easy access
- Mounting screws furnished



1 ON/OFF Button

- Turns system on and off

2 UP/DOWN Buttons ^ v

- Increase or decrease the indoor temperature in one degree increments (maximum 86°F, minimum 60°F)

NOTE - Temperature cannot be adjusted in FAN mode.

NOTE - Press and hold and buttons together for 3 seconds to alternate the temperature display between the °C and °F scale.

3 SET Button

- Scrolls through unit operations in this order:
 3. Sleep
 4. Follow Me

NOTE - The selected symbol will flash on the display area. Press the OK button to confirm.

4 FAN Button

- Cycles fan speeds in the following order:
 - AUTO → 20% → 40% → 60% → 80% → 100%

NOTE - Holding Fan button down for 2 seconds will activate **Silence** feature.

5 TURBO Button

- Enables the unit to reach the preset temperature during cooling or heating operation in the shortest time

6 MODE Button

- Select system operation modes
- Press button to cycle through each setting:
 - AUTO → COOL → DRY → HEAT → FAN

7 ECO/GEAR Button

- Controls temperature/energy efficiency of the unit

NOTE - Only available in cooling mode.

ECO Operation

- Sets unit to 75°F unit operation if setpoint is lower
- Sets fan to Auto operation if setpoint is over 75°F

NOTE - If setpoint is manually changed to less than 75°F, ECO operation is canceled.

GEAR Operation

- Reduces electrical consumption to 75% or 50%

8 OK Button

- Confirms selected function

9 TIMER Button

- Initiates an auto-on or auto-off time sequence
- Press TIMER button to initiate the ON time sequence
- Press Temp. up or down button for multiple times to set the desired time to turn on the unit
- Press TIMER button to initiate the OFF time sequence.

NOTE - Each press of the button increases or decreases the time (depending on function) in 30 minute increments up to 10 hours.

Above 10 hours each press of the button will increase or decrease the auto-timed setting by 60 minutes up to 24 hours.

To cancel, set timer to 0.0 or turn remote off and on.

10 SWING Button

- Used to stop or start louver auto swing feature

11 BREEZE AWAY Button

- Prevents unit from blowing air directly on a person

NOTE - Only available in COOL, FAN or DRY modes.

12 CLEAN Button

- Start/stop the Active Clean function (see description on Page 14)

13 LED Button

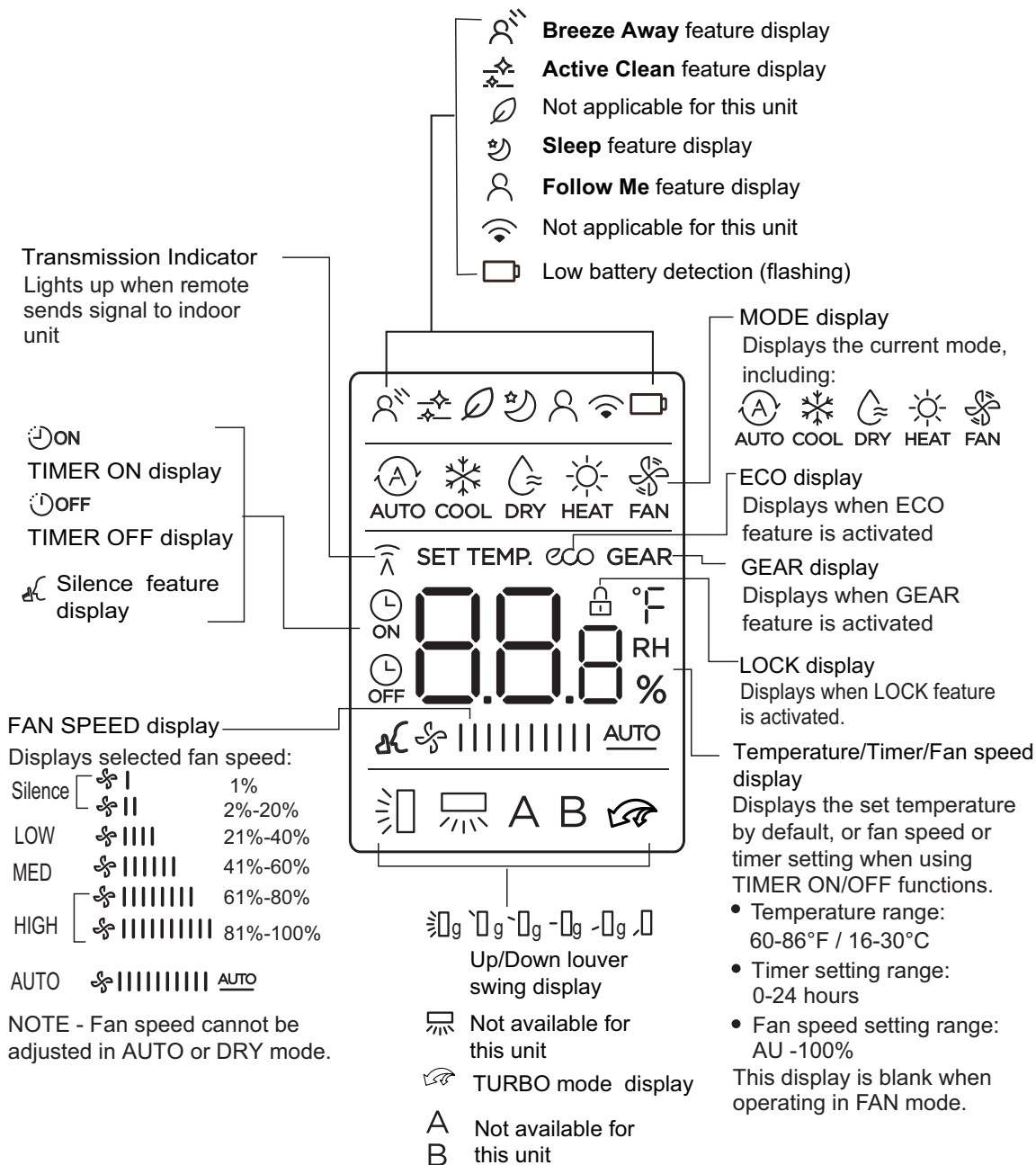
- Turns the LCD display backlight on the indoor unit on or off

NOTE - Press and hold the button for 5 seconds to display the actual room temperature. Press more than 5 seconds to revert back to display set temperature.

REMOTE CONTROLLERS - FURNISHED

WIRELESS REMOTE CONTROLLER INDICATORS (RG10A-ACSWH)

Information is displayed when the Wireless Remote Controller is powered on.



Note:

All icons are shown for display purposes only.
During actual unit operation, only active icons are displayed.

REMOTE CONTROLLERS - FURNISHED

WIRELESS REMOTE CONTROLLER OPERATION (RG10A-ACSWH)

Auto Operation

1. Press the **MODE** button to select Auto.
2. Press the **UP/DOWN** button to set the desired temperature.
3. Press the **ON/OFF** button to start the system.

Cooling /Heating/Fan Operation

1. Press the **MODE** button to select **COOL, HEAT or FAN** mode.
2. Press the **UP/DOWN** buttons to set the desired temperature.
3. Press the **FAN** button to select the fan speed in four steps- Auto, Low, Med or High.
4. Press the **ON/OFF** button to start the system.

Dehumidifying (DRY) Operation

1. Press the **MODE** button to select **DRY** mode.
2. Press the **UP/DOWN** buttons to set the desired temperature.
3. Press the **ON/OFF** button to start the system.

NOTE - Fan speed selection is disabled.

Timer ON/OFF Operation

1. Press the **TIMER** button. The remote controller shows **TIMER ON** or **TIMER OFF** icon
2. Press the **TIMER** button again to set desired time. Each time the button is pressed the time increases by 30 minutes between 0 and 10 hours and then by 60 minutes between 10 and 24 hours.
3. After setting the **TIMER ON** or **TIMER OFF** there will be a one second delay before the remote controller transmits the signal to the unit. After approximately 2 seconds the set temperature will re-appear on the LCD display window.

Silence Operation

1. Press the **FAN** button for more than 2 seconds to activate or disable the Silence function

Lock Function

1. Press the **TURBO** and **CLEAN** buttons together two times in less than one second to lock the Controller to prevent tampering
2. Press the **TURBO** and **CLEAN** together buttons again for two seconds to unlock the Controller

Swing Function

1. Press the **Swing** button to activate up/down louver operation. Louvers oscillate up and down automatically. Press and hold the Swing button again to disable.

NOTE - Pressing the Swing button multiple times will set the louvers at five different fixed airflow angles.

SET BUTTON FUNCTIONS

Sleep

- Enables the system to automatically increase cooling or decrease heating (in 2°F increments) per hour for the first 2 hours, then maintain a steady temperature for 5 hours
- System keeps the final operation mode after 8 total hours of operation

NOTE - To cancel, push the "MODE", "FAN SPEED" or "ON/OFF" buttons.

SLEEP mode is only available when the unit is in COOL, HEAT or AUTO mode

Follow Me

- Allows remote temperature sensing of the room at the remote controller location

CLEAN FUNCTION

Active Clean

- Washes away dust, mold, and grease that may cause odors when it adheres to the indoor coil by automatically freezing and then rapidly thawing the coil
- Indoor unit displays "CL"
- After 20 to 45 minutes the unit will automatically turn cancel the operation

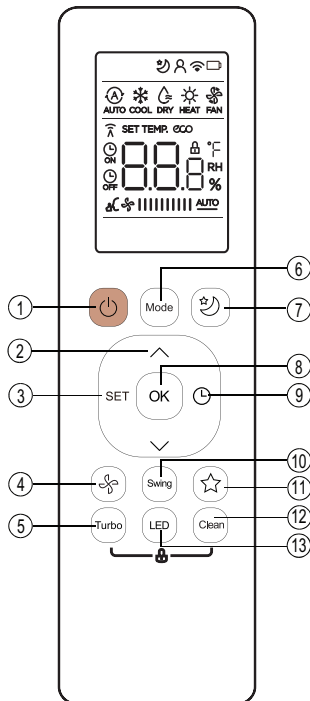
NOTE - Only available in COOL or DRY modes.

REMOTE CONTROLLERS - FURNISHED

WIRELESS REMOTE CONTROLLER (RG10B-ADC)

(FURNISHED WITH D22C1 CASSETTE. OPTIONAL FOR DUCTED INDOOR UNITS)

- Complete remote control of system
- Maximum operating range is 25 ft.
- Operates on two AAA 1.5V batteries (furnished)
- Wireless remote controller holder furnished
- Holder can be mounted on a wall for easy access
- Mounting screws furnished



1 ON/OFF Button

- Turns system on and off

2 UP/DOWN Buttons ^ v

- Increase or decrease the indoor temperature in one degree increments (maximum 86°F, minimum 62°F)

NOTE - Temperature cannot be adjusted in FAN mode.

NOTE - Press and hold and buttons together for 3 seconds to alternate the temperature display between the °C and °F scale.

3 SET Button

- Scrolls through unit operations in this order:

1. Follow Me

NOTE - The selected symbol will flash on the display area. Press the OK button to confirm.

4 FAN Button

- Cycles fan speeds in the following order:

- AUTO → LOW → MED → HIGH

NOTE - Holding Fan button down for 2 seconds will activate **Silence** feature.

5 TURBO Button

- Enables the unit to reach the preset temperature during cooling or heating operation in the shortest time

6 MODE Button

- Select system operation modes
- Press button to cycle through each setting:
 - AUTO → COOL → DRY → HEAT → FAN

7 SLEEP Button

Sleep

- Enables the system to automatically increase cooling or decrease heating (in 2°F increments) per hour for the first 2 hours, then maintain a steady temperature for 5 hours
- System keeps the final operation mode after 8 total hours of operation

8 OK Button

- Confirms selected function

9 TIMER Button

- Initiates an auto-on or auto-off time sequence
- Press TIMER button to initiate the ON time sequence
- Press Temp. up or down button for multiple times to set the desired time to turn on the unit
- Press TIMER button to initiate the OFF time sequence.

NOTE - Each press of the button increases or decreases the time (depending on function) in 30 minute increments up to 10 hours.

Above 10 hours each press of the button will increase or decrease the auto-timed setting by 60 minutes up to 24 hours.

To cancel, set timer to 0.0 or turn remote off and on.

10 SWING Button

- Used to stop or start louver auto swing feature

11 SHORTCUT Button

- Restore the current settings or resume the previous settings

12 CLEAN Button

- Start/stop the Self-Clean function
- Unit cleans itself automatically

NOTE - Only available in COOL or DRY modes.

NOTE - Not for DMD236S4-48 models.

13 LED Button

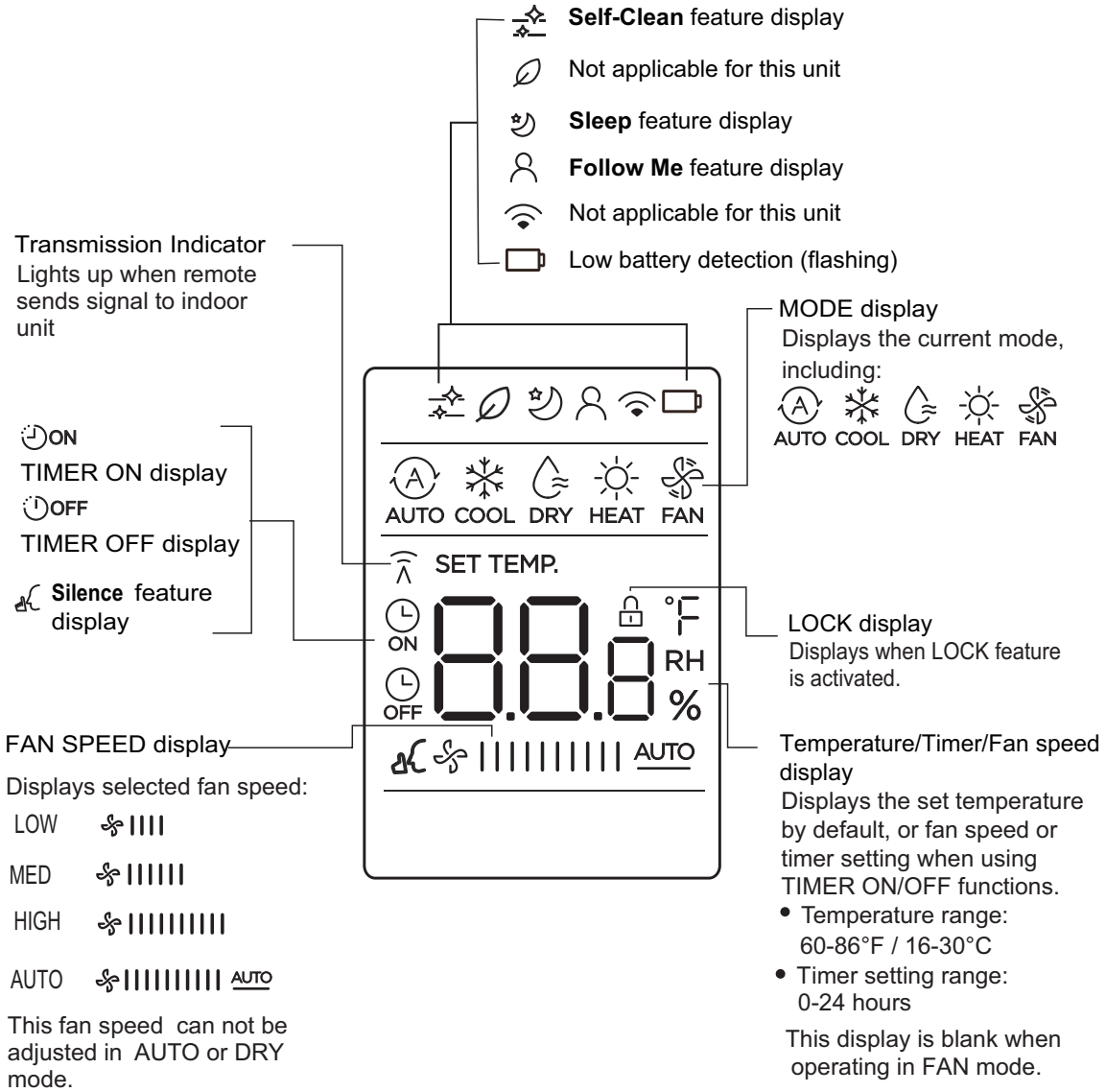
- Turns the LCD display backlight on the indoor unit on or off

NOTE - Press and hold the button for 5 seconds to display the actual room temperature. Press more than 5 seconds to revert back to display set temperature.

REMOTE CONTROLLERS - FURNISHED

WIRELESS REMOTE CONTROLLER INDICATORS (RG10B-ADC)

Information is displayed when the Wireless Remote Controller is powered on.



Note:
All icons are shown for display purposes only.
During actual unit operation, only active icons are displayed.

REMOTE CONTROLLERS - FURNISHED

WIRELESS REMOTE CONTROLLER OPERATION (RG10B-ADC)

Auto Operation

1. Press the **MODE** button to select Auto.
2. Press the **UP/DOWN** button to set the desired temperature.
3. Press the **ON/OFF** button to start the system.

Cooling /Heating/Fan Operation

1. Press the **MODE** button to select **COOL, HEAT** or **FAN** mode.
2. Press the **UP/DOWN** buttons to set the desired temperature.
3. Press the **FAN** button to select the fan speed in four steps- Auto, Low, Med or High.
4. Press the **ON/OFF** button to start the system.

Dehumidifying (DRY) Operation

1. Press the **MODE** button to select **DRY** mode.
2. Press the **UP/DOWN** buttons to set the desired temperature.
3. Press the **ON/OFF** button to start the system.

NOTE - Fan speed selection is disabled.

Timer ON/OFF Operation

1. Press the **TIMER** button. The remote controller shows **TIMER ON** or **TIMER OFF** icon
2. Press the **TIMER** button again to set desired time. Each time the button is pressed the time increases by 30 minutes between 0 and 10 hours and then by 60 minutes between 10 and 24 hours.
3. After setting the **TIMER ON** or **TIMER OFF** there will be a one second delay before the remote controller transmits the signal to the unit. After approximately 2 seconds the set temperature will re-appear on the LCD display window.

Silence Operation

1. Press the **FAN** button for more than 2 seconds to activate or disable the Silence function

Lock Function

1. Press the **TURBO** and **HUMIDITY** buttons together two times in less than one second to lock the Controller to prevent tampering
2. Press the **TURBO** and **HUMIDITY** together buttons again for two seconds to unlock the Controller

Swing Function

1. Press the **Swing** button to activate parallel louver operation. Louvers oscillate up and down automatically. Press and hold the Swing button again to disable.

NOTE - Pressing the Swing button multiple times will set the louvers at five different fixed airflow angles.

2. Press **Swing** button for 2 seconds to activate upright louver operation. Louvers swing left and right automatically.

SET BUTTON FUNCTIONS

Follow Me

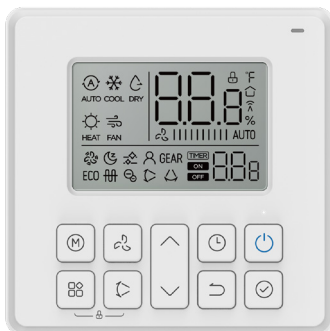
- Allows remote temperature sensing of the room at the remote controller location

REMOTE CONTROLLERS - FURNISHED

WIRED REMOTE CONTROLLER (WSTAT120L-1)

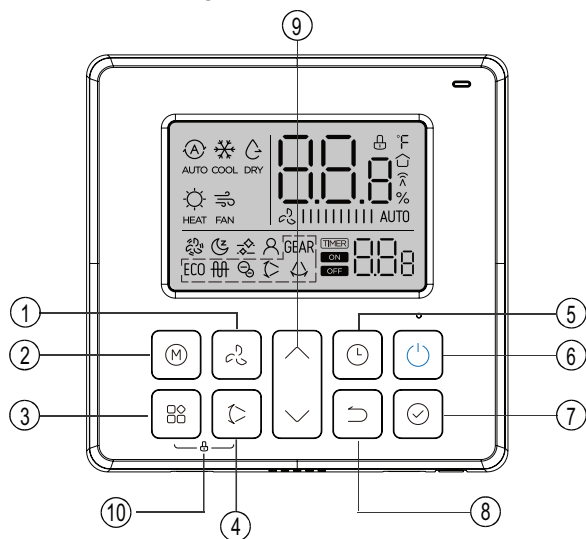
(FURNISHED WITH DUCTED INDOOR UNITS)

NOTE - Can be ordered separately for non-ducted indoor units.

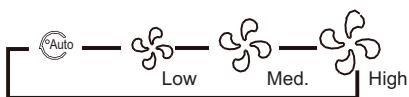


FEATURES

- Built-In Memory - Maintains clock, fan speed and mode of operation settings following power outages
- Dimensions (H x W x D) - 4-3/4 x 4-3/4 x 7/8 in.
- Additional hardware is furnished for installation
- 3-1/2 in. back-lit LCD display screen
- Wiring - Controller uses 5-wire shielded 20 ft. cable (furnished) for easy low voltage connection to the indoor unit
- Maximum cable length is 59 ft.



- 1 FAN SPEED Button**
 - Selects fan speed. Each button press cycles through the following settings on display



- 2 MODE Button**
 - Select system operation modes. Push button to cycle through each setting



- 3 FUNCTION Button**

• Scrolls through unit operations in this order:

1. Turbo
2. Sleep
3. Active Clean
4. Follow Me

4 SWING Button

- Used to stop or start louver auto swing feature (certain models)
- Louvers oscillate up and down automatically. Press and hold the Swing button again to disable.
- Pressing the Swing button multiple times will set the louvers at five different fixed airflow angles.
- Press and hold Swing button for 2 seconds to activate left/right louver operation. Louvers swing left and right automatically.

5 TIMER Button

- TIMER ON (initiates an auto-on time sequence)
- TIMER OFF (initiates an auto-off time sequence) can be used separately or together
- Each press of the button increases the time in 30 minute increments up to 10 hours
- Above 10 hours each press of the button will increase the auto-timed setting by 60 minutes up to 24 hours

6 POWER Button

- Turns system on and off

7 CONFIRM Button

- Confirms selected function

NOTE - Press and hold and **Arrow Up** Button and the **Arrow Down** button together for 3 seconds to alternate the temperature display between the °F and °C scale.

8 BACK Button

- Returns to the previous step

9 UP/DOWN Buttons

- Increase or decrease the indoor temperature in two degree increments (maximum 86°F, minimum 60°F).

NOTE - Temperature cannot be adjusted in FAN mode.

10 LOCK

- Press the **Function** and **Swing** buttons simultaneously to lock or unlock the Controller to prevent tampering with settings

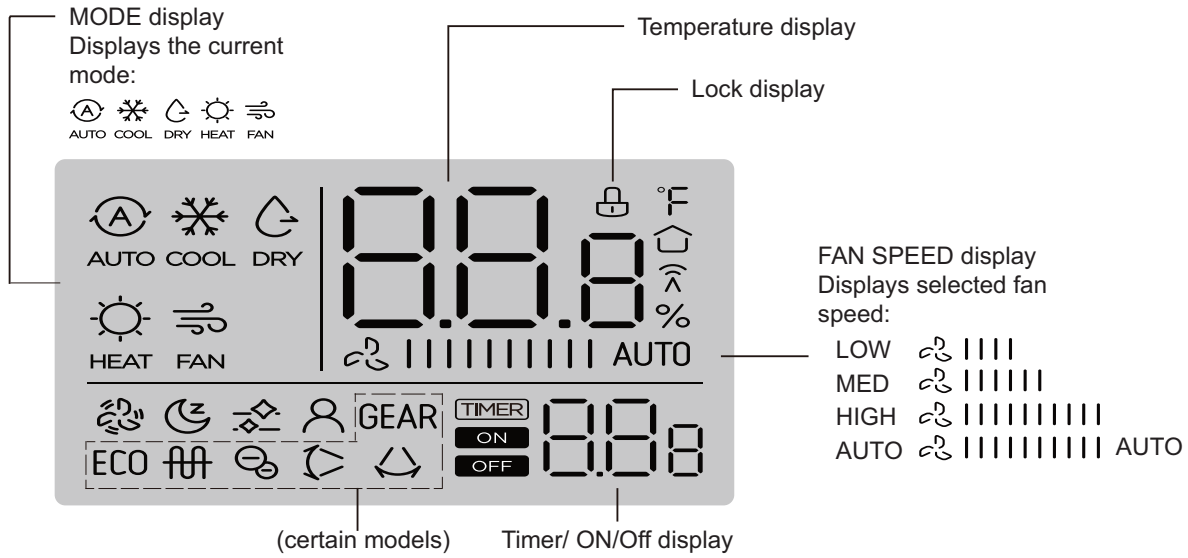
OPTIONAL ACCESSORIES

Extension Cable for Wired Remote Controller

- 20 ft. cable for easy low voltage connection to the indoor unit
- Extends cable to maximum 65 ft. length

REMOTE CONTROLLERS - FURNISHED

WIRED REMOTE CONTROLLER INDICATORS (WSTAT120L-1)



| | | |
|---------------------------|------------------------------------|---|
| °F °F / °C display | Turbo feature display | GEAR GEAR feature display (certain models) |
| Room temperature display | Active clean display | ECO ECO feature display (on certain models) |
| Follow me feature display | SLEEP feature display | Electric heating display (certain models) |
| Not used | UP and down swing (certain models) | Left and right swing (certain models) |

NOTE:
All icons are shown for display purposes only.
During actual unit operation, only active icons are displayed.

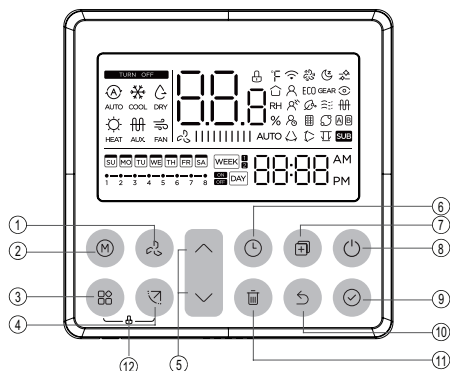
OPTIONAL ACCESSORIES - ORDER SEPARATELY**WIRED PROGRAMMABLE CONTROLLER (WSTAT120N-1)****FEATURES**

- Wired programmable local controller for mini-split indoor units with convenient timed schedules for daily operation
- Weekly timers (2), all days of the week timer, up to 8 scheduled events per day
- Schedule start time, mode, setpoint, and fan speed
- Compatible with all indoor units
- Copy/paste function for easy duplication of events to other days
- Built-in system diagnostics
- 3-1/2 in. back-lit LCD display screen
- Controller uses 4-wire shielded 20 ft. cable (furnished) for easy low voltage connection to the indoor unit
- Adaptor cables are furnished for various indoor unit connections

NOTE - Cable for longer lengths must be ordered separately.

NOTE - Maximum cable length is 164 ft..

- Hardware for mounting furnished
- Mounts to standard electrical junction box (not furnished)
- Lithium battery furnished: CR2032
- Power Supply: 12 VDC
- Dimensions (H x W x D): 4-3/4 x 4-3/4 x 7/8 in.
- Audible tone when a button is pressed (can be disabled)
- Lock function disables buttons to prevent tampering

DISPLAY**BUTTONS AND FUNCTIONS**

- FAN SPEED Button**
 - Scroll through fan speeds (Auto - Low - Med - High)

- MODE Button**
 - Use + and – buttons to scroll through available operation modes (Auto / Cool / Dry / Heat / Fan)
- FUNCTION Button**
 - Scrolls through unit operations in this order:
 1. Turbo
 2. Sleep
 3. Follow Me
- SWING Button**
 - Used to stop or start louver auto swing feature (certain models)
 - Louvers oscillate up and down automatically. Press and hold the Swing button again to disable.
 - Pressing the Swing button multiple times will set the louvers at five different fixed airflow angles.
 - Press and hold Swing button for 2 seconds to activate left/right louver operation. Louvers swing left and right automatically.
- UP/DOWN Buttons**
 - Increase or decrease the indoor temperature in one degree increments (maximum 86°F, minimum 60°F).

NOTE - Temperature cannot be adjusted in FAN mode.
- TIMER Button**
 - Sets unit for daily or weekly on/off operation
- COPY Button**
 - Copy schedules from one day to another
- POWER Button**
 - Turn system on and off
- CONFIRM Button**
 - Confirms each step when managing schedules

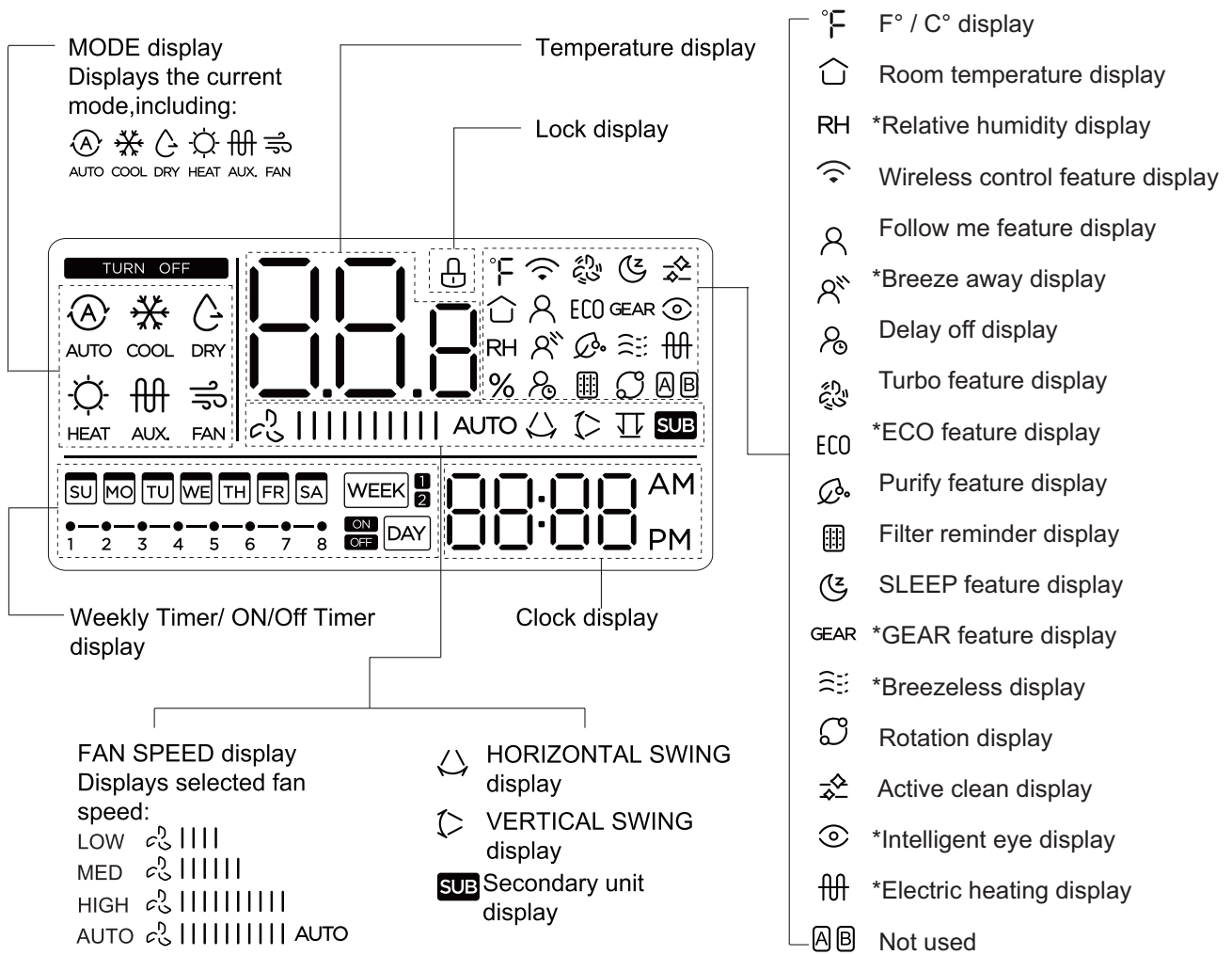
NOTE - Press and hold and **Confirm** Button and the **Arrow Down** button together for 3 seconds to alternate the temperature display between the °F and °C scale.
- BACK Button**
 - Returns to the previous step
- DAY OFF/DELAY BUTTON**
 - Disable specific days/schedules of the week
 - Delete a specific event
- LOCK**
 - Press the **Function** and **Swing** buttons simultaneously to lock the Controller to prevent tampering with settings

OPTIONAL ACCESSORIES

- Extension Cable for Wired Programmable Controller**
- 20 ft. cable for easy low voltage connection to the indoor unit
 - Extends cable to 40 ft. (12 m) length

REMOTE CONTROLLERS - FURNISHED

WIRED REMOTE CONTROLLER INDICATORS (WSTAT120N-1)



NOTE:
 All icons are shown for display purposes only.
 During actual unit operation, only active icons are displayed.

**Certain Models*

OPTIONAL ACCESSORIES - ORDER SEPARATELY**OUTDOOR UNITS****Condenser Pad**

- Provides permanent foundation for outdoor units
- One-piece lightweight structural foam and molded from high-density polyethylene (HDPE)
- Lightweight, easy to carry and install
- Textured finish provides a non-skid surface so outdoor unit sits securely in one place
- UV stable

Disconnects

- Positive unit disconnect
- Single door enclosure
- Fused and non-fused models available

Fuses

- 30 and 60 amp fuses available

Indoor/Outdoor Wiring Cable

- 14-gauge, 4-conductor wire
- THHN (Thermoplastic High Heat-resistant Nylon-coated) wire
- Suitable for wet or dry locations
- Rated up to 600V

Refrigerant Line Sets

- Refrigerant lines are shipped refrigeration clean
- Lines are cleaned, dried, pressurized and sealed at factory

Wall Brackets

- Heavy duty 1/8 in. thick steel brackets for supporting outdoor units
- Mount at any height to allow for easy maintenance under units
- Pre-punched holes for easy installation
- Powder coated gray finish
- Load rating 600 lbs. per pair

Whips

- Heavy duty electrical whips are available in 8 and 10 gauge sizes
- 6 ft. lengths
- Weatherproof metal conduit

INDOOR UNITS**Condensate Pumps**

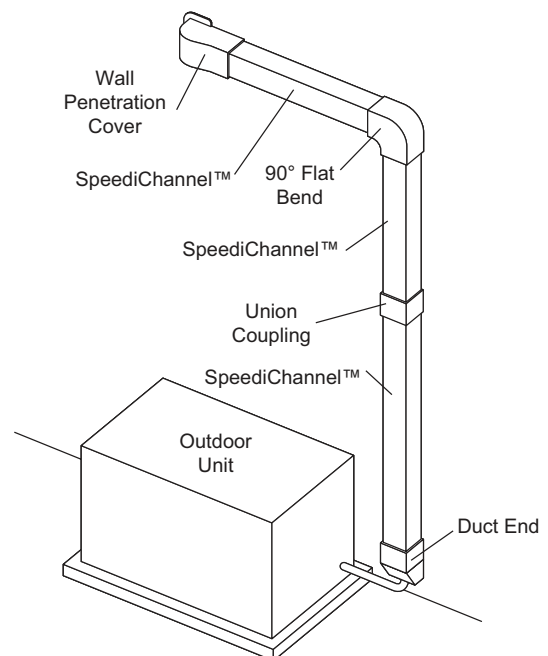
- Quietly and efficiently removes condensate
- See Optional Accessories Table for available pumps

A/C Easy Tee® Condensate Cleanout

- Condensate drain service port
- Flexible and easy to use with nitrogen, water or shop vac
- Screw cap on top allows easy access to condensate drain line

SPEEDICHANNEL™ SYSTEM

- SpeediChannel™ is a channel system covers system line sets
- Two-part system has a base and a cover
- Base is fastened to a wall or ceiling with plastic clips (SpeediClip™) that snap into a channel already molded into the base
- Cover fits on top of the base
- Manufactured from rigid PVC, which is UL rated and resistant to UV light
- System is a natural color that closely matches typical mini-split outdoor units
- Can be painted as desired to match any wall color

Typical Application

OPTIONAL ACCESSORIES - ORDER SEPARATELY

SPEEDICHANNEL™ SYSTEM (continued)

SpeediChannel™ Starter Kit

- The starter kit includes (1) Coupling, (1) Wall Penetration, (1) Inside Elbow, (1) Long Radius Flat Bend, (10) Speediclips™, (10) 11 in. Cable Ties, and (1) SpeediChannel Instruction Booklet

Duct End

- Duct Ends are used to terminate a run of SpeediChannel™ to a small opening just large enough for the line set and condensate drain line to pass through



Flat Wall Escutcheon

- Flat Wall Escutcheons are used to cover a rough opening in a soffit, wall, ceiling penetration



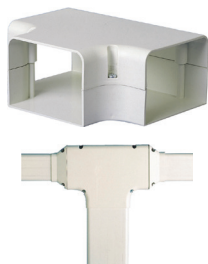
- One side of the escutcheon is flat to allow for a SpeediChannel™ to run along a wall and to penetrate through an adjacent wall or ceiling
- This is the most common type of wall penetration
- Furnished in two parts, the escutcheon easily snaps onto the SpeediChannel™

Flex Joint

- A Flex Joint is an accordion-style piece of SpeediChannel™
- The flex joint can be extremely flexible when routing a SpeediChannel™ system around an obstacle
- Each joint is 20 in. long and can be combined together for longer flex runs
- The flex joint does not require the use of a union coupling
- The flex joint slides tightly inside the SpeediChannel™ system

T-Joint

- T-Joints are used for creating a tee connection between three pieces of SpeediChannel™
- Each tee is individually packed and furnished with stainless steel screws



Union Coupling

- Union Couplings are used for joining two pieces of SpeediChannel™
- Each coupling is individually packed and furnished with stainless steel screws



Wall Penetration Cover

- Wall penetration covers are used to transition from the SpeediChannel™ system to a through wall penetration
- Wall covers are designed to allow for easy installation, even after the line set has been installed
- A hooking and fastening arrangement allows for quick installation
- Each wall cover is individually packed, and furnished with stainless steel screws attach the wall cover to the base
- Three screws are necessary to fasten the wall cover to the wall construction, regardless of the type of installed system



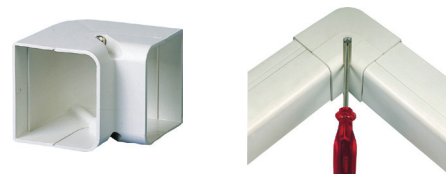
45° and 90° Flat Bend Elbows

- 45° Flat Bends are used to route the SpeediChannel™ around obstacles
- Each bend is individually packed and furnished with stainless steel screws



90° Inside Elbow

- 90° Inside Elbows are used to route the SpeediChannel™ around an inside corner
- Each elbow is individually packed and furnished with stainless steel screws



Mount Block White Qty. (2) 14 in. and (2) 36 in.

- Mount Blocks are used as mounting bases when outdoor units must be bolted down
- End caps (for aesthetics) come furnished with mounting bolts
- Maximum load capacity is 900 pounds per mounting block
- Installation temperatures range from -4°F to 140°F
- Mount blocks fit all mini-split outdoor units with a sliding rail feature



| SPECIFICATIONS | | OUTDOOR UNITS - 0.75 TON 1.5 TON | | |
|---|---|---|------------------|------------------|
| Nominal Size - Tons | | 0.75 | 1 | 1.5 |
| Outdoor Unit Model No. | | 4DHPS209S | 4DHPS212S | 4DHPS218S |
| Ambient Temperature Operating Range - °F | Cooling | -13 - 122 | -13 - 122 | -13 - 122 |
| | Heating | -13 - 86 | -13 - 86 | -13 - 86 |
| Sound Data (dBA) | Cooling/Heating (115V) | --- | 54 | --- |
| | Cooling/Heating (208/230V) | 53 | 53.5 | 58 |
| Refrigerant (R-410A) | Charge furnished (115V) | --- | 2 lbs. 8 oz. | --- |
| | Charge furnished (208/230V) | 2 lbs. 6 oz. | 2 lbs. 6 oz. | 3 lbs. 8 oz. |
| | Maximum line length with furnished charge - ft. | 25 | 25 | 25 |
| | Additional charge required per ft. - oz. | 0.16 | 0.16 | 0.16 |
| Compressor | No. and Type | (1) Rotary | (1) Rotary | (1) Rotary |
| | Refrigerant oil type | Ester Oil VG74 | Ester Oil VG74 | Ester Oil VG74 |
| | Refrigerant oil charge - oz. | 10.5 | 10.5 | 14.9 |
| Connections - in. | Liquid/Gas pipe (flare) | 1/4 / 3/8 | 1/4 / 1/2 | 1/4 / 1/2 |
| | Maximum refrigerant pipe length - ft. | 82 | 82 | 98 |
| | Max. difference in level of indoor unit - ft. | 33 | 33 | 66 |
| Outdoor Fan | (No.) Diameter - in. | 16-1/2 | 16-1/2 | 16-1/2 |
| | Total air volume - cfm | 1295 | 1295 | 1765 |
| | rpm | 800 | 800 | 810 |
| Outdoor Coil | Number of rows | 2 | 2 | 3 |
| | Fins per inch | 21 | 21 | 19 |
| | Fin type | Hydrophilic aluminum | | |
| | Tube outside diameter - in. | 5/16 | 5/16 | 5/16 |
| | Tube type | Rifled copper tubing | | |
| | Net face area - ft. ² | 4.04 | 4.04 | 5.90 |
| | Application area - sq. ft. | 130 - 195 | 170 - 250 | 260 - 375 |
| Design Pressure | PSIG | 550/340 | 550/340 | 550/340 |
| Shipping Data | Net/Shipping weight (lbs.) (115V) | --- | 67 / 72 | --- |
| | (208/230V) | 64 / 69 | 64 / 69 | 95 / 102 |

ELECTRICAL DATA

| Electrical Characteristics - 60 Hz - 1 Phase | 208/230V | 115V | 208/230V | 208/230V |
|---|-----------------|------|----------|----------|
| ¹ Maximum Overcurrent Protection (MOCP) amps | 15 | 25 | 15 | 25 |
| ² Minimum circuit ampacity (MCA) | 13 | 19 | 13 | 17 |
| Compressor Rated load amps | 6.4 | 6.4 | 6.4 | 12 |
| Outdoor Fan Motor | Rated load amps | 0.4 | 0.6 | 0.4 |
| | Output - W | 34 | 34 | 80 |

NOTE - Extremes of operating range are plus and minus 10% of line voltage.

¹ HACR type circuit breaker or fuse.² Refer to National or Canadian Electrical Code manual to determine wire, fuse and disconnect size requirements.

| SPECIFICATIONS | | OUTDOOR UNITS - 2 TON 2.5 TON | |
|---|---|--|------------------|
| Nominal Size - Tons | | 2 | 2.5 |
| Outdoor Unit Model No. | | 4DHPS224S | 4DHPS230S |
| Ambient Temperature Operating Range - °F | Cooling | -13 - 122 | -13 - 122 |
| | Heating | -13 - 86 | -13 - 86 |
| Sound Data (dBA) | Cooling/Heating | 60 | 61.5 |
| Refrigerant (R-410A) | Charge furnished | 5 lbs. 3 oz. | 6 lbs. 1 oz. |
| | Maximum line length with furnished charge - ft. | 25 | 25 |
| | Additional charge required per ft. - oz. | 0.32 | 0.32 |
| Compressor | No. and Type | (1) Rotary | (1) Rotary |
| | Refrigerant oil type | POE Oil VG74 | POE Oil VG74 |
| | Refrigerant oil charge - oz. | 21.0 | 22.7 |
| Connections - in. | Liquid/Gas pipe (flare) | 3/8 / 5/8 | 3/8 / 5/8 |
| | Maximum refrigerant pipe length - ft. | 164 | 164 |
| | Max. difference in level of indoor unit - ft. | 82 | 82 |
| Outdoor Fan(s) | (No.) Diameter - in. | (1) 22 | (1) 22 |
| | Total air volume - cfm | 2235 | 2235 |
| | rpm | 900 | 900 |
| Outdoor Coil | Number of rows | 2.6 | 2.6 |
| | Fins per inch | 18 | 18 |
| | Fin type | Hydrophilic aluminum | |
| | Tube outside diameter - in. | 5/16 | 5/16 |
| | Tube type | Rifled copper tubing | |
| | Net face area - ft. ² | 8.21 | 8.22 |
| Design Pressure | PSIG | 550/340 | 550/340 |
| Shipping Data | Net/Shipping weight (lbs.) | 125 / 135 | 142 / 152 |
| ELECTRICAL DATA | | | |
| Electrical Characteristics - 60 Hz - 1 Phase | | 208/230V | 208/230V |
| | ¹ Maximum Overcurrent Protection (MOCP) amps | 30 | 30 |
| | ² Minimum circuit ampacity (MCA) | 22 | 23 |
| | Compressor Rated load amps | 13 | 15 |
| Outdoor Fan Motor | Rated load amps | 0.5 | 0.6 |
| | Output - W | 120 | 120 |

NOTE - Extremes of operating range are plus and minus 10% of line voltage.

¹ HACR type circuit breaker or fuse.


² Refer to National or Canadian Electrical Code manual to determine wire, fuse and disconnect size requirements.

| SPECIFICATIONS | | OUTDOOR UNITS - 3 TON 4 TON | |
|---|---|--------------------------------------|------------------|
| Nominal Size - Tons | | 3 | 4 |
| Outdoor Unit Model No. | | 4DHPS236S | 4DHPS248S |
| Ambient Temperature Operating Range - °F | Cooling | -13 - 122 | -13 - 122 |
| | Heating | -13 - 86 | -13 - 86 |
| Energy Star | | No | No |
| Sound Data (dBA) | Cooling/Heating | 65 | 63.5 |
| Refrigerant (R-410A) | Charge furnished | 7 lbs. 1 oz. | 9 lbs. 15 oz. |
| | Maximum line length with furnished charge - ft. | 25 | 25 |
| | Additional charge required per ft. - oz. | 0.32 | 0.32 |
| Compressor | No. and Type | (1) Rotary | (1) Rotary |
| | Refrigerant oil type | POE Oil VG74 | POE Oil VG74 |
| | Refrigerant oil charge - oz. | 33.8 | 47.3 |
| Connections - in. | Liquid/Gas pipe (flare) | 3/8 / 5/8 | 3/8 / 5/8 |
| | Maximum refrigerant pipe length - ft. | 213 | 213 |
| | Max. difference in level of indoor unit - ft. | 98 | 98 |
| Outdoor Fan(s) | (No.) Diameter - in. | (1) 22 | (2) 22 |
| | Total air volume - cfm | 2120 | 4500 |
| | rpm | 1050 | 900 |
| Outdoor Coil | Number of rows | 2 | 2 |
| | Fins per inch | 18 | 18 |
| | Fin type | Hydrophilic aluminum | |
| | Tube outside diameter - in. | 3/8 | 3/8 |
| | Tube type | Rifled copper tubing | |
| | Net face area - ft. ² | 8.16 | 13.53 |
| Design Pressure | PSIG | 550/340 | 550/340 |
| Shipping Data | Net/Shipping weight (lbs.) | 155 / 166 | 219 / 249 |
| ELECTRICAL DATA | | | |
| Electrical Characteristics - 60 Hz - 1 Phase | | 208/230V | 208/230V |
| | ¹ Maximum Overcurrent Protection (MOCP) amps | 45 | 50 |
| | ² Minimum circuit ampacity (MCA) | 30 | 36.5 |
| Outdoor Fan Motor | Output - W | 120 | (2) 85 |

NOTE - Extremes of operating range are plus and minus 10% of line voltage.

¹ HACR type circuit breaker or fuse.

² Refer to National or Canadian Electrical Code manual to determine wire, fuse and disconnect size requirements.

| SPECIFICATIONS | | WALL-MOUNTED INDOOR UNITS | | |
|---|------------------|----------------------------------|-----------------|-----------------|
|  | Model No. | DWM206S4 | DWM209S4 | DWM212S4 |
| | | Nominal Tons | 0.50 | 0.75 |
| Power Supply - 60 hz - 1 phase | | 208/230V | 208/230V | 208/230V |
| Rated load amps | | 0.25 | 0.25 | 0.25 |
| Output (W) | | 20 | 20 | 20 |
| Room Temperature Range (°F) | Cooling | 60 - 90 | 60 - 90 | 60 - 90 |
| | Heating | 32 - 86 | 32 - 86 | 32 - 86 |
| Air Volume - cfm (High/Medium/Low) | | 318/218/168 | 335/230/176 | 335/230/176 |
| Sound Data (dBA) - Low/Medium/High | | 23/32/36 | 23/34/38 | 22.5/33.5/36 |
| Piping Connections - Liquid/Gas - o.d. - flare - in. | | 1/4 / 3/8 | 1/4 / 3/8 | 1/4 / 1/2 |
| Drain connection o.d. - in. | | 1 | 1 | 1 |
| Net/Shipping weights - lbs. | | 23 / 29 | 23 / 29 | 23 / 29 |
| SPECIFICATIONS | | DWM218S4 | DWM224S4 | DWM230S4 |
| | Nominal Tons | 1.5 | 2 | 2.5 |
| Power Supply - 60 hz - 1 phase | | 208/230V | 208/230V | 208/230V |
| Rated load amps | | 0.13 | 0.5 | 0.5 |
| Output (W) | | 30 | 58 | 58 |
| Room Temperature Range (°F) | Cooling | 60 - 90 | 60 - 90 | 60 - 90 |
| | Heating | 32 - 86 | 32 - 86 | 32 - 86 |
| Air Volume - cfm (High/Medium/Low) | | 524/76/306 | 611/414/319 | 646/505/382 |
| Sound Data (dBA) - Low/Medium/High | | 32.5/43/46.5 | 34/39.5/44 | 33/40.5/46 |
| Piping Connections - Liquid/Gas - o.d. - flare - in. | | 1/4 / 1/2 | 3/8 / 5/8 | 3/8 / 5/8 |
| Drain connection o.d. - in. | | 1 | 1 | 1 |
| Net/Shipping weights - lbs. | | 27 / 36 | 44 / 55 | 44 / 55 |

SPECIFICATIONS**CASSETTE INDOOR UNITS**

| Model No. | | D22C109S4 | D22C112S4 | D22C118S4 |
|--|---------|------------------|------------------|------------------|
| Nominal Tons | | 0.75 | 1 | 1.5 |
| Power Supply - 60 hz - 1 phase | | 208/230V | 208/230V | 208/230V |
| Rated load amps | | 0.9 | 1.0 | 1.5 |
| Output (W) | | 46 | 46 | 46 |
| Room Temperature Range (°F) | Cooling | 62 - 90 | 62 - 90 | 62 - 90 |
| | Heating | 32 - 86 | 32 - 86 | 32 - 86 |
| Air Volume - cfm (High/Medium/Low) | | 375/300/255 | 380/310/260 | 560/485/415 |
| Sound Data (dBA) - Low/Medium/High | | 33/37/41 | 36/39/43 | 36/39/44 |
| Piping Connections - Liquid/Gas - o.d. - flare - in. | | 1/4 / 3/8 | 1/4 / 1/2 | 1/4 / 1/2 |
| Drain connection o.d. - in. | | 1 | 1 | 1 |
| Net/Shipping weights - lbs. | Body | 32 / 38 | 36 / 41 | 36 / 42 |

REQUIRED COMPONENTS - ORDERED SEPARATELY

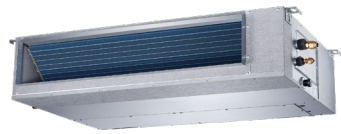
| | | | | |
|----------------|-----------------------------|--------------|--------------|--------------|
| Cassette Panel | | 13X04 | 13X04 | 13X04 |
| | Net/Shipping weights - lbs. | 6 / 10 | 6 / 10 | 6 / 10 |

SPECIFICATIONS

| Model No. | | D33C224S4 | D33C236S4 | D33C248S4 |
|--|---------|------------------|------------------|-------------------|
| Nominal Tons | | 2 | 3 | 4 |
| Power Supply - 60 hz - 1 phase | | 208/230V | 208/230V | 208/230V |
| Rated load amps | | 1.0 | 1.0 | 1.5 |
| Output (W) | | 45 | 125 | 125 |
| Room Temperature Range (°F) | Cooling | 60 - 90 | 60 - 90 | 60 - 90 |
| | Heating | 32 - 86 | 32 - 86 | 32 - 86 |
| Air Volume - cfm (High/Medium/Low) | | 706 / 635 / 547 | 947 / 853 / 753 | 1171 / 1059 / 935 |
| Sound Data (dBA) - Low/Medium/High | | 43 / 46 / 49 | 52.5 / 50 / 46.5 | 55 / 53 / 50 |
| Piping Connections - Liquid/Gas - o.d. - flare - in. | | 3/8 / 5/8 | 3/8 / 5/8 | 3/8 / 5/8 |
| Drain connection o.d. - in. | | 1 | 1 | 1 |
| Net/Shipping weights - lbs. | Body | 48 / 56 | 60 / 69 | 65 / 74 |

REQUIRED COMPONENTS - ORDERED SEPARATELY

| | | | | |
|----------------|-----------------------------|--------------|--------------|--------------|
| Cassette Panel | | 22V17 | 22V17 | 22V17 |
| | Net/Shipping weights - lbs. | 14 / 20 | 14 / 20 | 14 / 20 |

SPECIFICATIONS**MEDIUM STATIC DUCTED INDOOR UNITS**

| Model No. | | DMD209S4 | DMD212S4 | DMD218S4 |
|--|---------|------------------|-----------------|-----------------|
| Nominal Tons | | 0.75 | 1 | 1.5 |
| Power Supply - 60 hz - 1 phase | | 208/230V | 208/230V | 208/230V |
| Rated load amps | | 1.27 | 1.37 | 1.3 |
| Output (W) | | 55 | 55 | 160 |
| Room Temperature Range (°F) | Cooling | 60 - 90 | 60 - 90 | 60 - 90 |
| | Heating | 32 - 86 | 32 - 86 | 32 - 86 |
| Air Volume - cfm (High/Medium/Low) | | 353 / 282 / 176 | 353 / 282 / 176 | 529 / 450 / 371 |
| External Static Pressure (in. w.g) | | 0 - 0.16 | 0 - 0.16 | 0 - 0.40 |
| Sound Data (dBA) - Low/Medium/High | | 27 / 28.5 / 33.5 | 31 / 34.5 / 38 | 35 / 37.5 / 40 |
| Piping Connections - Liquid/Gas - o.d. - flare - in. | | 1/4 / 3/8 | 1/4 / 1/2 | 1/4 / 1/2 |
| Drain connection o.d. - in. | | 1 | 1 | 1 |
| Net/Shipping weights - lbs. | | 38 / 49 | 38 / 49 | 54 / 66 |

SPECIFICATIONS

| Model No. | | DMD224S4 | DMD236S4 | DMD248S4 |
|--|---------|-----------------|------------------|-------------------|
| Nominal Tons | | 2 | 3 | 4 |
| Power Supply - 60 hz - 1 phase | | 208/230V | 208/230V | 208/230V |
| Rated load amps | | 1.7 | 2.45 | 2.50 |
| Output (W) | | 160 | 300 | 560 |
| Room Temperature Range (°F) | Cooling | 60 - 90 | 60 - 90 | 60 - 90 |
| | Heating | 32 - 86 | 32 - 86 | 32 - 86 |
| Air Volume - cfm (High/Medium/Low) | | 775 / 693 / 435 | 1082 / 912 / 703 | 1228 / 1031 / 715 |
| External Static Pressure (in. w.g) | | 0 - 0.64 | 0 - 0.64 | 0 - 0.64 |
| Sound Data (dBA) - Low/Medium/High | | 37 / 41 / 44 | 40.5 / 43.5 / 48 | 49 / 50 / 52 |
| Piping Connections - Liquid/Gas - o.d. - flare - in. | | 3/8 / 5/8 | 3/8 / 5/8 | 3/8 / 5/8 |
| Drain connection o.d. - in. | | 1 | 1 | 1 |
| Net/Shipping weights - lbs. | | 87 / 103 | 106 / 122 | 120 / 142 |

OPTIONAL ACCESSORIES - ORDER SEPARATELY

| Description | Catalog No. | Size | | | | | | |
|--|--|----------|-----|-----|-----|-----|-----|-----|
| | | 009 | 012 | 018 | 024 | 030 | 036 | 048 |
| OUTDOOR UNIT | | | | | | | | |
| Condenser Pad (18 x 38 x 3) | Y5014 | • | • | • | • | • | • | • |
| Disconnects | 30 amp, fused, 1 ph | 27P37 | • | • | • | • | • | • |
| | 60 amp, non-fused, 1 ph | 27P39 | • | • | • | • | • | • |
| Fuses | 30A | 83P75 | • | • | • | • | • | • |
| | 60A | 83P77 | • | • | • | • | • | • |
| Hail Guards (H x W) | (1) 18-7/8 x 27-1/2 in. + (1) 18 x 9-1/8 in. | 24M82 | • | • | N/A | | | |
| | (1) 22-7/8 x 32 in. + (1) 22-1/4 x 11 in. | 24M85 | N/A | | • | N/A | | |
| | (1) 28-5/8 x 33-1/2 in. + (1) 28-5/8 x 12-7/8 in. | 24M84 | N/A | | • | • | • | N/A |
| | (1) 48-5/8 x 29-1/8 + (1) 48-5/8 x 11-1/2 in. | 24M83 | N/A | | | | | • |
| Line Sets | 1/4 in. x 3/8 in. x 25 ft. | 90X53 | • | N/A | | | | |
| | 1/4 in. x 3/8 in. x 50 ft. | X0258 | • | N/A | | | | |
| | 1/4 in. x 1/2 in. x 25 ft. | 90X52 | N/A | • | • | N/A | | |
| | 1/4 in. x 1/2 in. x 50 ft. | X0259 | N/A | • | • | N/A | | |
| | 3/8 in. x 5/8 in. x 25 ft. | X8406 | N/A | | • | • | • | • |
| | 3/8 in. x 5/8 in. x 50 ft. | X8407 | N/A | | • | • | • | • |
| Wall Brackets | 30 inch | X1727 | • | • | • | • | N/A | |
| | 36 inch | X1728 | N/A | | | • | • | • |
| Whips | 10 Gauge - 1/2 in. x 6 ft. | 29P54 | • | • | • | • | • | • |
| | 8 Gauge - 3/4 in. x 6 ft. | 27P44 | • | • | • | • | • | • |
| INDOOR UNIT | | | | | | | | |
| ¹ Diversitech Condensate Pumps with Reservoir | ClearVue Mini™ - 7.9 US gallons per hour, 35 ft. lift - 120-240V | Y5170 | • | • | • | • | • | • |
| | Mini-Split Pump - 4 US gallons per hour, 20 ft. lift - 115V | Y7946 | N/A | • | N/A | | | |
| | Mini-Split Pump - 4 US gallons per hour, 20 ft. lift - 230V | Y7949 | • | • | • | • | • | • |
| ¹ Blue Diamond® Condensate Pumps with Reservoir | MicroBlue® - 1.3 US gallons per hour, 6 ft. lift - 110-230V | 14T74 | • | • | • | N/A | | |
| | MaxiBlue® - 3.7 US gallons per hour, 16.5 ft. lift - 208/230V | 14T69 | N/A | | • | • | • | N/A |
| | MegaBlue® - 13.2 US gallons per hour, 23 ft. lift - 208/230V | 14T71 | N/A | | | | | • |
| | MultiTank Kit | 14T75 | N/A | | • | • | • | • |
| | Sensor Cable Extension - 16 ft. | 14T76 | • | • | • | • | • | • |
| A/C Easy Tee® Condensate Cleanout | Y7947 | • | • | • | • | • | • | |
| CONTROLS | | | | | | | | |
| Wired Remote Controller (Furnished With All Ducted Models) | WSTAT120L-1 | 1.861126 | • | • | • | • | • | • |
| Extension Cable for Wired Remote Controller - 20 ft. | | Y8008 | • | • | • | • | • | • |
| NOTE - The Wired Remote Controller above is furnished as standard with the indoor ducted models. As an option, the Wired Remote Controller can be ordered for a wall-mount, cassette, floor console or ceiling/floor mount unit if desired. | | | | | | | | |
| Wired Programmable Controller | WSTAT120N-1 | 1.861127 | • | • | • | • | • | • |
| Extension Cable for Wired Programmable Controller - 20 ft. | M0CTRL64Q-1 | Y8738 | • | • | • | • | • | • |
| Indoor/Outdoor Wiring Cable - 14 Gauge, 4 conductor wire, THHN, 250 ft. | | Y2067 | • | • | • | • | • | • |
| Wireless Remote Controller (Optional for Ducted Models only) | RG10B-ADC | 1.861120 | • | • | • | • | • | • |
| SPEEDICHANNEL™ SYSTEM | | | | | | | | |
| SpeediChannel™ Starter Kit - 4 in. | | Y3387 | • | • | • | • | • | • |
| SpeediChannel - 4 in. x 6-1/2 ft. (qty. 6) | | Y3388 | • | • | • | • | • | • |
| Union Coupling - 4 in. | | Y3389 | • | • | • | • | • | • |
| 90° Flat Bend Elbow - 4 in. | | Y3390 | • | • | • | • | • | • |
| 90° Inside Elbow - 4 in. | | Y3391 | • | • | • | • | • | • |
| 45° Flat Bend Elbow - 4 in. | | Y3392 | • | • | • | • | • | • |
| Flex Joint - 4 in. | | Y3393 | • | • | • | • | • | • |
| T-Joint - 4 in. | | Y3394 | • | • | • | • | • | • |
| Duct End - 4 in. | | Y3395 | • | • | • | • | • | • |
| Flat Wall Escutcheon - 4 in. | | Y3396 | • | • | • | • | • | • |
| Wall Penetration Cover - 4 in. | | Y3399 | • | • | • | • | • | • |
| Mount Block (White) Qty, 2 - 14 in. | | Y3397 | • | • | • | • | • | • |
| Mount Block (White) Qty, 2 - 36 in. | | Y3398 | • | • | • | • | • | • |

¹ Y7946, Y7949 and 14T74 condensate pumps can be installed inside the indoor units. All other pumps must be installed external to the indoor unit.

AHRI SYSTEM MATCHES

| Outdoor Unit | Indoor Unit | 2017 | | | | | | 2023 | | | | | 1 AHRI Reference Number |
|--------------|--------------|------------------|------|------|---------------|-------|-----------|------------------|------|-------|-----------|------------|-------------------------|
| | | Cooling Capacity | EER | SEER | Heat Capacity | | HSPF (IV) | Cooling Capacity | EER2 | SEER2 | High Heat | HSPF2 (IV) | |
| | | | | | High | Low | | | | | | | |
| 4DHP2S09S-1P | D22C109S4-1P | 9000 | 13 | 20 | 10000 | 7500 | 10.5 | 9000 | 13 | 20 | 10000 | 10 | 208128183 |
| 4DHP2S12S-1P | D22C112S4-*P | 12000 | 14 | 22 | 12000 | 8900 | 10.6 | 11800 | 13.9 | 22.7 | 12000 | 9.9 | 211034508 |
| 4DHP2S12S-1P | D22C112S4-1P | 12000 | 14 | 22 | 12000 | 8900 | 10.6 | 11800 | 13.9 | 22.7 | 12000 | 9.9 | 208106657 |
| 4DHP2S18S-1P | D22C118S4-*P | 16000 | 12.5 | 20.5 | 18500 | 12000 | 11 | 16000 | 12.5 | 20.5 | 19000 | 10.4 | 211034509 |
| 4DHP2S18S-1P | D22C118S4-1P | 16000 | 12.5 | 20.5 | 18500 | 12000 | 11 | 16000 | 12.5 | 20.5 | 19000 | 10.4 | 208106658 |
| 4DHP2S24S-1P | D33C224S4-*P | 24000 | 12.5 | 20.7 | 25000 | 19000 | 10 | 23600 | 12.3 | 21.5 | 26000 | 9.6 | 211034510 |
| 4DHP2S24S-1P | D33C224S4-1P | 24000 | 12.5 | 20.7 | 25000 | 19000 | 10 | 23600 | 12.3 | 21.5 | 26000 | 9.6 | 208106659 |
| 4DHP2S36S-1P | D33C236S4-*P | 36000 | 9 | 18.2 | 38000 | 23000 | 10.6 | 36000 | 9.4 | 19.2 | 38000 | 8.7 | 211034511 |
| 4DHP2S36S-1P | D33C236S4-1P | 36000 | 9 | 18.2 | 38000 | 23000 | 10.6 | 36000 | 9.4 | 19.2 | 38000 | 8.8 | 208106757 |
| 4DHP2S48S-1P | D33C248S4-*P | 48000 | 9.5 | 17.8 | 50000 | 30000 | 11 | 47000 | 9.5 | 18.5 | 50000 | 9.8 | 211034512 |
| 4DHP2S48S-1P | D33C248S4-1P | 48000 | 9.5 | 17.8 | 50000 | 30000 | 11 | 47000 | 9.5 | 18.5 | 50000 | 9.8 | 208106758 |
| 4DHP2S09S-1P | DMD209S4-1P | 9000 | 13.5 | 21 | 10000 | 7700 | 11.5 | 9000 | 12.5 | 19.2 | 10000 | 10.2 | 208128184 |
| 4DHP2S12S-1P | DMD212S4-*P | 12000 | 12.5 | 21.5 | 12000 | 9300 | 10.5 | 11500 | 11.7 | 18.8 | 12000 | 10.3 | 211034502 |
| 4DHP2S12S-1P | DMD212S4-1P | 12000 | 12.5 | 21.5 | 12000 | 9300 | 10.5 | 11500 | 11.7 | 18.8 | 12000 | 10.3 | 208106660 |
| 4DHP2S18S-1P | DMD218S4-*P | 17800 | 12.5 | 20.5 | 20000 | 12600 | 11 | 17000 | 12.3 | 20 | 20000 | 10.5 | 211034503 |
| 4DHP2S18S-1P | DMD218S4-1P | 17800 | 12.5 | 20.5 | 20000 | 12600 | 11 | 17000 | 12.3 | 20 | 20000 | 10.5 | 208106661 |
| 4DHP2S24S-1P | DMD224S4-*P | 24000 | 12.6 | 21.5 | 24600 | 20000 | 11.2 | 23000 | 12.3 | 19 | 25000 | 11 | 211034504 |
| 4DHP2S24S-1P | DMD224S4-1P | 24000 | 12.6 | 21.5 | 24600 | 20000 | 11.2 | 23000 | 12.3 | 19 | 25000 | 11 | 208106662 |
| 4DHP2S36S-1P | DMD236S4-*P | 36000 | 9 | 16.7 | 40000 | 25000 | 11.5 | 36000 | 8.8 | 15.8 | 40000 | 8.8 | 211034505 |
| 4DHP2S36S-1P | DMD236S4-2P | 36000 | 9 | 16.7 | 40000 | 25000 | 11.5 | 36000 | 8.8 | 15.8 | 40000 | 8.8 | 208106759 |
| 4DHP2S48S-1P | DMD248S4-*P | 48000 | 9.2 | 17.4 | 50000 | 34000 | 10.3 | 48000 | 8.4 | 15.1 | 50000 | 9.1 | 211034506 |
| 4DHP2S09S-1P | DWM209S4-1P | 9000 | 15 | 25.5 | 10000 | 8500 | 12.2 | 9000 | 15 | 25.5 | 10000 | 12.3 | 208128182 |
| 4DHP2S12S-1L | DWM212S4-*L | 12000 | 13 | 23 | 12100 | 8400 | 11.6 | 12000 | 12.8 | 23.5 | 12000 | 10 | 211034493 |
| 4DHP2S12S-1P | DWM212S4-*P | 12000 | 13.7 | 23.2 | 12000 | 9000 | 13.2 | 12000 | 13.7 | 24.6 | 12000 | 10.7 | 211034495 |
| 4DHP2S12S-1L | DWM212S4-1L | 12000 | 13 | 23 | 12000 | 8400 | 11.6 | 12000 | 13 | 23.5 | 12000 | 10 | 208127266 |
| 4DHP2S12S-1P | DWM212S4-1P | 12000 | 13.7 | 23.2 | 12000 | 9000 | 13.2 | 12000 | 13.7 | 24.6 | 12000 | 10.7 | 208106653 |
| 4DHP2S18S-1P | DWM218S4-*P | 18000 | 12.5 | 22.6 | 19000 | 14900 | 12 | 18000 | 12.4 | 23.5 | 19000 | 10.7 | 211034496 |
| 4DHP2S18S-1P | DWM218S4-1P | 18000 | 12.5 | 22.6 | 19000 | 14900 | 12 | 18000 | 12.4 | 23.5 | 19000 | 10.7 | 208106654 |
| 4DHP2S24S-1P | DWM224S4-*P | 24000 | 14 | 22 | 25000 | 16200 | 12 | 24000 | 14 | 22 | 25000 | 9.9 | 211034497 |
| 4DHP2S24S-1P | DWM224S4-1P | 24000 | 14 | 22 | 25000 | 16200 | 12 | 24000 | 14 | 22 | 25000 | 9.9 | 208106655 |
| 4DHP2S30S-1P | DWM230S4-*P | 29800 | 11.5 | 20 | 30000 | 19000 | 9.6 | 29600 | 11.4 | 20 | 30000 | 9.2 | 211034498 |
| 4DHP2S30S-1P | DWM230S4-1P | 29800 | 11.5 | 20 | 30000 | 19000 | 9.6 | 29600 | 11.4 | 20 | 30000 | 9.2 | 208106656 |

¹ Bold Reference Numbers indicate Energy Star approval.

Ratings are AHRI certified to AHRI Standard 210/240;

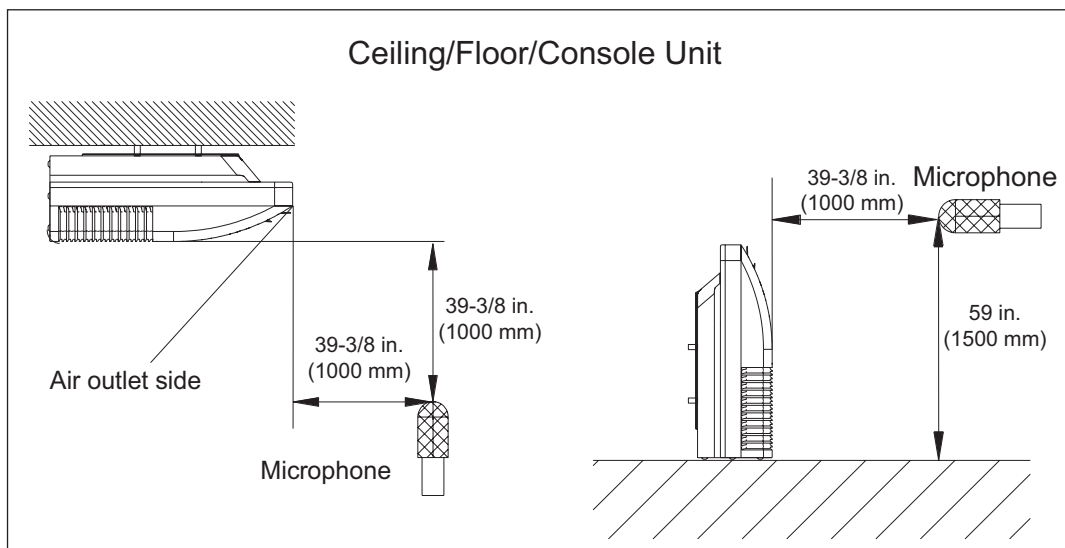
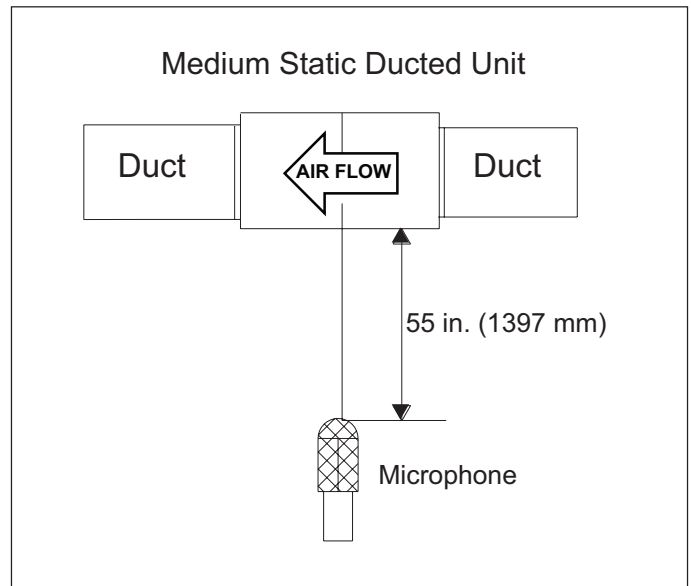
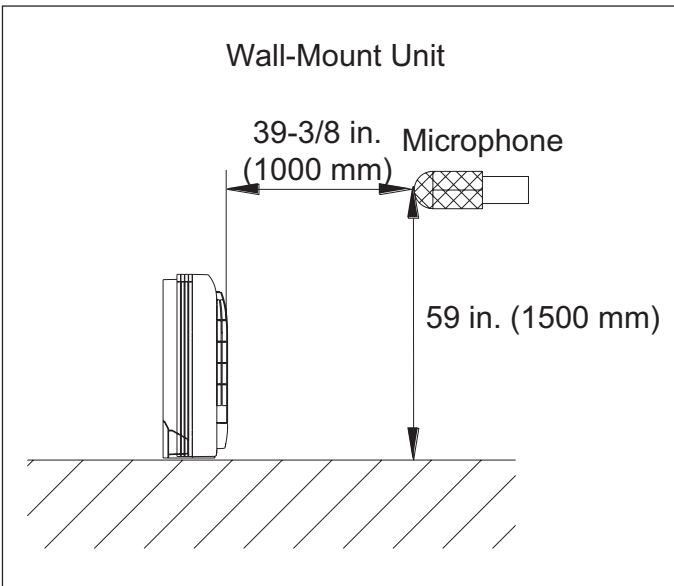
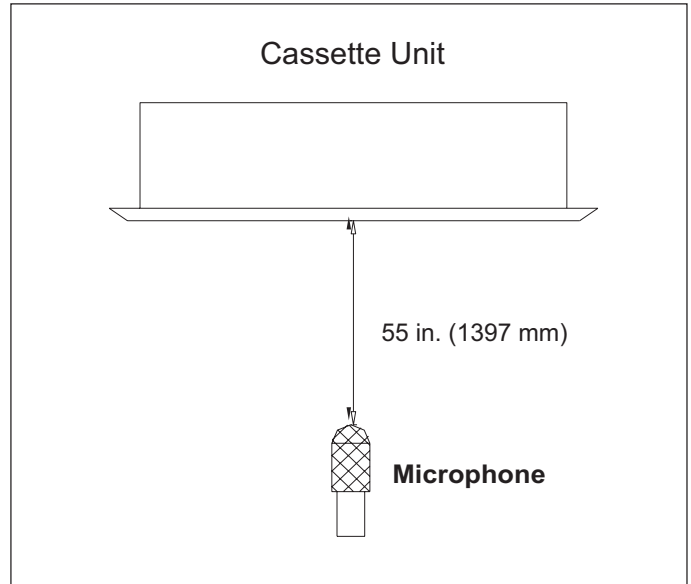
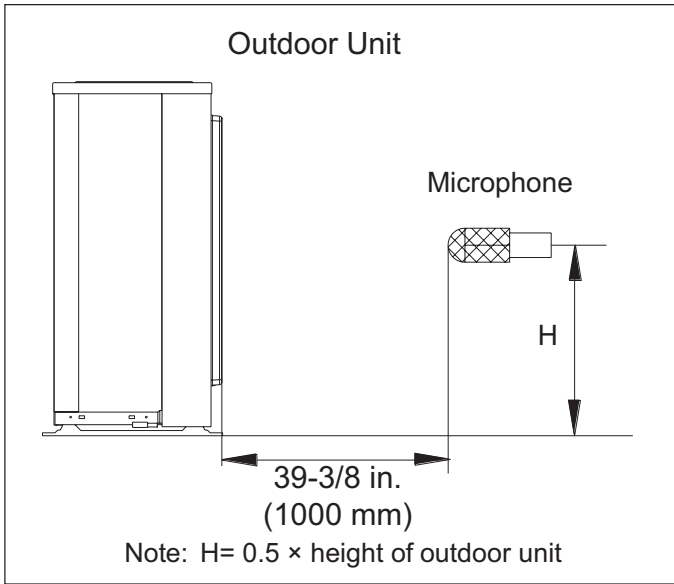
• Cooling Ratings - 95°F wet bulb/75°F dry bulb outdoor air temperature and 80°F dry bulb/67°F wet bulb entering indoor coil air.

• High Temperature Heating Ratings - 47°F dry bulb/43°F wet bulb outdoor air temperature and 70°F dry bulb/60°F wet bulb entering indoor coil air.

• Low Temperature Heating Ratings - 17°F dry bulb/15°F wet bulb outdoor air temperature and 70°F dry bulb/60°F wet bulb entering indoor coil air.

To convert HSPF from Region IV to Region V - Divide by 1.15.

SOUND LEVELS - TEST CONDITIONS



COOLING CAPACITY**09 (208/230V)**

| Outdoor Temperature - °F (Dry Bulb) | Indoor Temperature - °F (Dry Bulb / Wet Bulb) | | | | | | | |
|-------------------------------------|---|----------------|-------------|----------------|-------------|----------------|-------------|----------------|
| | 65°F / 54°F | | 70°F / 59°F | | 75°F / 63°F | | 80°F / 67°F | |
| | Total mBtuh | Sensible mBtuh | Total mBtuh | Sensible mBtuh | Total mBtuh | Sensible mBtuh | Total mBtuh | Sensible mBtuh |
| -13 | 9.85 | 6.51 | 10.46 | 6.87 | 11.00 | 7.19 | 11.67 | 7.59 |
| -4 | 10.76 | 7.02 | 11.39 | 7.38 | 12.00 | 7.73 | 12.55 | 8.05 |
| 0 | 11.06 | 7.56 | 11.74 | 7.98 | 12.29 | 8.30 | 12.87 | 8.65 |
| 5 | 11.29 | 7.70 | 11.90 | 8.07 | 12.42 | 8.38 | 13.21 | 8.87 |
| 17 | 11.56 | 8.08 | 12.13 | 8.44 | 12.75 | 8.81 | 13.32 | 9.15 |
| 25 | 11.32 | 8.20 | 11.97 | 8.63 | 12.74 | 9.13 | 13.31 | 9.49 |
| 35 | 11.35 | 8.12 | 11.90 | 8.45 | 12.56 | 8.87 | 13.30 | 9.33 |
| 47 | 11.34 | 8.57 | 11.84 | 8.90 | 12.45 | 9.30 | 13.16 | 9.77 |
| 55 | 11.16 | 8.28 | 11.78 | 8.69 | 12.34 | 9.06 | 13.12 | 9.58 |
| 65 | 11.19 | 8.64 | 11.79 | 9.05 | 12.51 | 9.55 | 13.09 | 9.95 |
| 75 | 11.31 | 8.64 | 11.89 | 9.04 | 12.50 | 9.46 | 13.06 | 9.82 |
| 85 | 10.77 | 8.71 | 11.35 | 9.13 | 11.86 | 9.48 | 12.61 | 10.04 |
| 95 | 10.37 | 8.49 | 10.84 | 8.84 | 11.50 | 9.31 | 12.22 | 9.85 |
| 105 | 10.05 | 8.29 | 10.57 | 8.67 | 11.10 | 9.06 | 11.73 | 9.53 |
| 115 | 9.12 | 8.51 | 9.65 | 8.95 | 10.23 | 9.44 | 10.66 | 9.78 |
| 122 | 8.56 | 8.54 | 9.06 | 9.00 | 9.54 | 9.45 | 9.99 | 9.85 |

HEATING CAPACITY**09 (208/230V)**

| Outdoor Temperature - °F (Dry Bulb) | Indoor Temperature - °F (Dry Bulb) | | | |
|-------------------------------------|------------------------------------|-------------|-------------|-------------|
| | 60°F | 65°F | 70°F | 75°F |
| | Total mBtuh | Total mBtuh | Total mBtuh | Total mBtuh |
| -13 | 5.78 | 5.60 | 5.45 | 5.25 |
| -4 | 7.77 | 7.53 | 7.33 | 7.06 |
| 0 | 8.38 | 8.15 | 7.92 | 7.58 |
| 5 | 9.13 | 8.84 | 8.62 | 8.32 |
| 10 | 10.16 | 9.82 | 9.55 | 9.20 |
| 17 | 11.09 | 10.76 | 10.50 | 10.13 |
| 20 | 11.36 | 11.06 | 10.77 | 10.35 |
| 25 | 11.61 | 11.31 | 11.04 | 10.57 |
| 32 | 12.01 | 11.69 | 11.31 | 10.83 |
| 35 | 12.25 | 11.94 | 11.56 | 11.14 |
| 40 | 12.68 | 12.25 | 11.89 | 11.37 |
| 47 | 13.03 | 12.69 | 12.29 | 11.78 |
| 50 | 13.40 | 13.00 | 12.67 | 12.10 |
| 57 | 13.82 | 13.49 | 13.03 | 12.52 |

COOLING CAPACITY **12 (115V)**

| Outdoor Temperature - °F (Dry Bulb) | Indoor Temperature - °F (Dry Bulb / Wet Bulb) | | | | | | | |
|-------------------------------------|---|----------------|-------------|----------------|-------------|----------------|-------------|----------------|
| | 65°F / 54°F | | 70°F / 59°F | | 75°F / 63°F | | 80°F / 67°F | |
| | Total mBtuh | Sensible mBtuh | Total mBtuh | Sensible mBtuh | Total mBtuh | Sensible mBtuh | Total mBtuh | Sensible mBtuh |
| -13 | 10.59 | 6.80 | 11.24 | 7.19 | 11.73 | 7.46 | 12.26 | 7.75 |
| -4 | 10.52 | 7.17 | 11.19 | 7.58 | 11.88 | 8.00 | 12.64 | 8.47 |
| 0 | 10.82 | 7.23 | 11.39 | 7.56 | 12.05 | 7.95 | 12.77 | 8.38 |
| 5 | 11.30 | 7.92 | 11.85 | 8.25 | 12.37 | 8.56 | 12.90 | 8.87 |
| 17 | 11.23 | 8.14 | 11.84 | 8.54 | 12.36 | 8.87 | 13.03 | 9.30 |
| 25 | 11.01 | 7.77 | 11.72 | 8.22 | 12.35 | 8.62 | 13.12 | 9.11 |
| 35 | 11.28 | 8.18 | 11.81 | 8.52 | 12.53 | 8.98 | 13.23 | 9.43 |
| 47 | 11.87 | 8.87 | 12.46 | 9.26 | 13.17 | 9.74 | 13.77 | 10.14 |
| 55 | 11.37 | 8.56 | 12.07 | 9.05 | 12.73 | 9.50 | 13.53 | 10.04 |
| 65 | 11.65 | 8.77 | 12.18 | 9.12 | 12.73 | 9.49 | 13.29 | 9.85 |
| 75 | 11.16 | 8.83 | 11.86 | 9.34 | 12.48 | 9.77 | 13.04 | 10.16 |
| 85 | 11.10 | 8.98 | 11.61 | 9.34 | 12.13 | 9.70 | 12.66 | 10.07 |
| 95 | 10.56 | 8.70 | 11.24 | 9.20 | 11.80 | 9.62 | 12.50 | 10.13 |
| 105 | 10.30 | 8.68 | 10.82 | 9.05 | 11.36 | 9.46 | 12.01 | 9.94 |
| 115 | 9.52 | 8.99 | 10.00 | 9.38 | 10.42 | 9.72 | 10.86 | 10.06 |
| 122 | 8.63 | 8.58 | 9.13 | 9.04 | 9.59 | 9.46 | 10.10 | 9.91 |

HEATING CAPACITY **12 (115V)**

| Outdoor Temperature - °F (Dry Bulb) | Indoor Temperature - °F (Dry Bulb) | | | |
|-------------------------------------|------------------------------------|-------------|-------------|-------------|
| | 60°F | 65°F | 70°F | 75°F |
| | Total mBtuh | Total mBtuh | Total mBtuh | Total mBtuh |
| -13 | 5.66 | 5.51 | 5.36 | 5.15 |
| -4 | 6.11 | 5.96 | 5.79 | 5.59 |
| 0 | 6.84 | 6.67 | 6.50 | 6.24 |
| 5 | 7.52 | 7.29 | 7.09 | 6.85 |
| 10 | 8.57 | 8.35 | 8.12 | 7.82 |
| 17 | 9.89 | 9.56 | 9.25 | 8.88 |
| 20 | 10.62 | 10.33 | 10.00 | 9.65 |
| 25 | 11.37 | 11.04 | 10.72 | 10.28 |
| 32 | 12.17 | 11.82 | 11.48 | 10.97 |
| 35 | 13.00 | 12.65 | 12.24 | 11.80 |
| 40 | 13.68 | 13.28 | 12.87 | 12.39 |
| 47 | 14.43 | 14.00 | 13.63 | 13.11 |
| 50 | 14.60 | 14.19 | 13.81 | 13.19 |
| 57 | 14.85 | 14.46 | 14.01 | 13.38 |

COOLING CAPACITY **12 (208/230V)**

| Outdoor Temperature - °F (Dry Bulb) | Indoor Temperature - °F (Dry Bulb / Wet Bulb) | | | | | | | |
|-------------------------------------|---|----------------|-------------|----------------|-------------|----------------|-------------|----------------|
| | 65°F / 54°F | | 70°F / 59°F | | 75°F / 63°F | | 80°F / 67°F | |
| | Total mBtuh | Sensible mBtuh | Total mBtuh | Sensible mBtuh | Total mBtuh | Sensible mBtuh | Total mBtuh | Sensible mBtuh |
| -13 | 10.40 | 6.45 | 11.03 | 6.80 | 11.62 | 7.13 | 12.27 | 7.48 |
| -4 | 11.11 | 7.32 | 11.61 | 7.60 | 12.30 | 8.02 | 13.05 | 8.47 |
| 0 | 11.56 | 7.62 | 12.11 | 7.92 | 12.77 | 8.32 | 13.30 | 8.62 |
| 5 | 11.64 | 7.92 | 12.34 | 8.35 | 13.04 | 8.78 | 13.60 | 9.10 |
| 17 | 11.43 | 7.97 | 12.13 | 8.40 | 12.89 | 8.89 | 13.52 | 9.28 |
| 25 | 11.73 | 8.38 | 12.40 | 8.82 | 12.93 | 9.15 | 13.47 | 9.48 |
| 35 | 11.60 | 8.62 | 12.25 | 9.06 | 12.88 | 9.47 | 13.41 | 9.82 |
| 47 | 11.55 | 8.76 | 12.07 | 9.11 | 12.79 | 9.60 | 13.41 | 10.01 |
| 55 | 11.40 | 8.67 | 12.05 | 9.11 | 12.68 | 9.55 | 13.40 | 10.04 |
| 65 | 11.66 | 9.26 | 12.20 | 9.62 | 12.79 | 10.04 | 13.40 | 10.46 |
| 75 | 11.39 | 8.83 | 12.01 | 9.26 | 12.67 | 9.72 | 13.40 | 10.23 |
| 85 | 11.33 | 9.13 | 11.96 | 9.58 | 12.63 | 10.07 | 13.39 | 10.62 |
| 95 | 11.48 | 9.18 | 12.11 | 9.64 | 12.75 | 10.08 | 13.39 | 10.54 |
| 105 | 11.05 | 9.45 | 11.65 | 9.90 | 12.20 | 10.30 | 12.81 | 10.77 |
| 115 | 10.24 | 9.71 | 10.69 | 10.07 | 11.18 | 10.47 | 11.72 | 10.92 |
| 122 | 9.29 | 9.30 | 9.72 | 9.69 | 10.23 | 10.16 | 10.80 | 10.67 |

HEATING CAPACITY **12 (208/230V)**

| Outdoor Temperature - °F (Dry Bulb) | Indoor Temperature - °F (Dry Bulb) | | | |
|-------------------------------------|------------------------------------|-------------|-------------|-------------|
| | 60°F | 65°F | 70°F | 75°F |
| | Total mBtuh | Total mBtuh | Total mBtuh | Total mBtuh |
| -13 | 6.13 | 5.95 | 5.80 | 5.58 |
| -4 | 7.95 | 7.76 | 7.50 | 7.17 |
| 0 | 8.73 | 8.45 | 8.24 | 7.90 |
| 5 | 9.40 | 9.16 | 8.87 | 8.47 |
| 10 | 10.45 | 10.16 | 9.82 | 9.38 |
| 17 | 11.36 | 10.97 | 10.61 | 10.21 |
| 20 | 11.68 | 11.30 | 11.01 | 10.54 |
| 25 | 12.05 | 11.76 | 11.39 | 10.97 |
| 32 | 12.40 | 12.04 | 11.75 | 11.30 |
| 35 | 12.83 | 12.48 | 12.11 | 11.56 |
| 40 | 13.50 | 13.17 | 12.73 | 12.26 |
| 47 | 14.07 | 13.73 | 13.29 | 12.82 |
| 50 | 14.48 | 14.09 | 13.65 | 13.13 |
| 57 | 15.02 | 14.57 | 14.09 | 13.48 |

COOLING CAPACITY **18 (208/230V)**

| Outdoor Temperature - °F (Dry Bulb) | Indoor Temperature - °F (Dry Bulb / Wet Bulb) | | | | | | | |
|-------------------------------------|---|----------------|-------------|----------------|-------------|----------------|-------------|----------------|
| | 65°F / 54°F | | 70°F / 59°F | | 75°F / 63°F | | 80°F / 67°F | |
| | Total mBtuh | Sensible mBtuh | Total mBtuh | Sensible mBtuh | Total mBtuh | Sensible mBtuh | Total mBtuh | Sensible mBtuh |
| -13 | 16.24 | 10.57 | 16.97 | 11.00 | 18.04 | 11.61 | 18.97 | 12.14 |
| -4 | 16.01 | 10.88 | 17.01 | 11.50 | 17.89 | 12.02 | 19.01 | 12.72 |
| 0 | 16.48 | 11.21 | 17.24 | 11.66 | 18.16 | 12.21 | 19.10 | 12.78 |
| 5 | 16.36 | 11.12 | 17.24 | 11.65 | 18.22 | 12.25 | 19.20 | 12.83 |
| 17 | 16.84 | 11.70 | 17.78 | 12.28 | 18.86 | 12.96 | 19.79 | 13.53 |
| 25 | 17.21 | 12.48 | 18.12 | 13.07 | 18.89 | 13.56 | 19.84 | 14.17 |
| 35 | 16.89 | 12.59 | 17.97 | 13.33 | 18.71 | 13.81 | 19.91 | 14.61 |
| 47 | 17.53 | 12.88 | 18.26 | 13.35 | 19.18 | 13.95 | 20.12 | 14.55 |
| 55 | 17.82 | 13.69 | 18.72 | 14.31 | 19.60 | 14.90 | 20.59 | 15.56 |
| 65 | 18.27 | 14.10 | 19.27 | 14.78 | 20.14 | 15.34 | 21.02 | 15.91 |
| 75 | 18.52 | 14.86 | 19.50 | 15.56 | 20.48 | 16.24 | 21.45 | 16.92 |
| 85 | 17.53 | 13.63 | 18.65 | 14.41 | 19.63 | 15.10 | 20.64 | 15.79 |
| 95 | 16.66 | 13.41 | 17.50 | 14.00 | 18.62 | 14.81 | 19.56 | 15.45 |
| 105 | 16.07 | 13.70 | 16.86 | 14.29 | 17.64 | 14.87 | 18.72 | 15.69 |
| 115 | 14.38 | 13.72 | 15.20 | 14.42 | 15.92 | 15.03 | 16.94 | 15.89 |
| 122 | 13.05 | 13.00 | 13.77 | 13.65 | 14.58 | 14.41 | 15.43 | 15.17 |

HEATING CAPACITY **18 (208/230V)**

| Outdoor Temperature - °F (Dry Bulb) | Indoor Temperature - °F (Dry Bulb) | | | |
|-------------------------------------|------------------------------------|-------------|-------------|-------------|
| | 60°F | 65°F | 70°F | 75°F |
| | Total mBtuh | Total mBtuh | Total mBtuh | Total mBtuh |
| -13 | 8.46 | 8.25 | 8.01 | 7.69 |
| -4 | 10.03 | 9.69 | 9.39 | 9.04 |
| 0 | 11.39 | 11.05 | 10.72 | 10.26 |
| 5 | 12.91 | 12.55 | 12.18 | 11.71 |
| 10 | 14.69 | 14.22 | 13.87 | 13.28 |
| 17 | 16.97 | 16.40 | 15.93 | 15.26 |
| 20 | 18.15 | 17.71 | 17.19 | 16.45 |
| 25 | 19.61 | 19.00 | 18.50 | 17.80 |
| 32 | 21.03 | 20.42 | 19.78 | 19.03 |
| 35 | 22.27 | 21.60 | 21.01 | 20.15 |
| 40 | 22.26 | 21.66 | 21.11 | 20.18 |
| 47 | 22.44 | 21.81 | 21.19 | 20.24 |
| 50 | 23.14 | 22.56 | 21.81 | 20.88 |
| 57 | 23.72 | 23.05 | 22.46 | 21.52 |

COOLING CAPACITY **24 (208/230V)**

| Outdoor Temperature - °F (Dry Bulb) | Indoor Temperature - °F (Dry Bulb / Wet Bulb) | | | | | | | |
|-------------------------------------|---|----------------|-------------|----------------|-------------|----------------|-------------|----------------|
| | 65°F / 54°F | | 70°F / 59°F | | 75°F / 63°F | | 80°F / 67°F | |
| | Total mBtuh | Sensible mBtuh | Total mBtuh | Sensible mBtuh | Total mBtuh | Sensible mBtuh | Total mBtuh | Sensible mBtuh |
| -13 | 23.54 | 14.99 | 24.65 | 15.61 | 26.06 | 16.40 | 27.29 | 17.08 |
| -4 | 23.86 | 16.20 | 24.93 | 16.84 | 26.33 | 17.67 | 27.89 | 18.63 |
| 0 | 23.77 | 15.73 | 25.21 | 16.60 | 26.34 | 17.24 | 27.93 | 18.19 |
| 5 | 24.35 | 17.30 | 25.36 | 17.94 | 26.84 | 18.89 | 27.99 | 19.59 |
| 17 | 24.41 | 17.29 | 25.42 | 17.92 | 26.85 | 18.82 | 28.02 | 19.56 |
| 25 | 24.27 | 17.10 | 25.31 | 17.73 | 26.87 | 18.71 | 28.05 | 19.41 |
| 35 | 24.28 | 17.26 | 25.64 | 18.14 | 26.82 | 18.89 | 28.08 | 19.68 |
| 47 | 23.64 | 17.51 | 25.12 | 18.51 | 26.53 | 19.45 | 28.10 | 20.49 |
| 55 | 24.25 | 18.48 | 25.80 | 19.57 | 26.99 | 20.36 | 28.11 | 21.11 |
| 65 | 23.91 | 18.81 | 25.38 | 19.84 | 26.85 | 20.87 | 28.12 | 21.74 |
| 75 | 23.81 | 18.19 | 25.25 | 19.17 | 26.69 | 20.17 | 28.13 | 21.15 |
| 85 | 24.16 | 19.04 | 25.43 | 19.92 | 26.86 | 20.93 | 28.27 | 21.91 |
| 95 | 24.60 | 20.06 | 25.82 | 20.93 | 27.06 | 21.81 | 28.40 | 22.75 |
| 105 | 23.65 | 19.82 | 24.97 | 20.80 | 26.20 | 21.70 | 27.46 | 22.60 |
| 115 | 20.92 | 19.38 | 22.11 | 20.38 | 23.45 | 21.50 | 24.87 | 22.66 |
| 122 | 19.81 | 19.75 | 21.06 | 20.91 | 21.93 | 21.69 | 22.92 | 22.55 |

HEATING CAPACITY **24 (208/230V)**

| Outdoor Temperature - °F (Dry Bulb) | Indoor Temperature - °F (Dry Bulb) | | | |
|-------------------------------------|------------------------------------|-------------|-------------|-------------|
| | 60°F | 65°F | 70°F | 75°F |
| | Total mBtuh | Total mBtuh | Total mBtuh | Total mBtuh |
| -13 | 12.17 | 11.88 | 11.54 | 11.08 |
| -4 | 13.43 | 12.99 | 12.55 | 12.04 |
| 0 | 15.75 | 15.33 | 14.92 | 14.31 |
| 5 | 18.81 | 18.28 | 17.66 | 16.90 |
| 10 | 19.90 | 19.31 | 18.83 | 18.04 |
| 17 | 21.51 | 20.85 | 20.16 | 19.31 |
| 20 | 21.72 | 21.03 | 20.41 | 19.64 |
| 25 | 21.95 | 21.37 | 20.67 | 19.90 |
| 32 | 22.11 | 21.57 | 20.92 | 20.15 |
| 35 | 22.50 | 21.78 | 21.23 | 20.46 |
| 40 | 25.97 | 25.09 | 24.41 | 23.46 |
| 47 | 28.78 | 28.05 | 27.18 | 26.09 |
| 50 | 29.98 | 28.99 | 28.04 | 26.86 |
| 57 | 30.65 | 29.76 | 28.81 | 27.60 |

COOLING CAPACITY 30 (208/230V)

| Outdoor Temperature - °F (Dry Bulb) | Indoor Temperature - °F (Dry Bulb / Wet Bulb) | | | | | | | |
|-------------------------------------|---|----------------|-------------|----------------|-------------|----------------|-------------|----------------|
| | 65°F / 54°F | | 70°F / 59°F | | 75°F / 63°F | | 80°F / 67°F | |
| | Total mBtuh | Sensible mBtuh | Total mBtuh | Sensible mBtuh | Total mBtuh | Sensible mBtuh | Total mBtuh | Sensible mBtuh |
| -13 | 24.05 | 15.48 | 25.50 | 16.33 | 26.68 | 16.99 | 27.91 | 17.66 |
| -4 | 25.18 | 17.11 | 26.57 | 17.96 | 28.02 | 18.83 | 29.37 | 19.62 |
| 0 | 26.14 | 17.48 | 27.52 | 18.32 | 28.76 | 19.04 | 30.02 | 19.78 |
| 5 | 25.88 | 17.65 | 27.18 | 18.43 | 28.82 | 19.43 | 30.60 | 20.53 |
| 17 | 26.51 | 18.41 | 27.68 | 19.14 | 29.35 | 20.20 | 31.22 | 21.39 |
| 25 | 26.72 | 19.11 | 28.33 | 20.16 | 29.76 | 21.06 | 31.53 | 22.20 |
| 35 | 27.31 | 19.66 | 28.57 | 20.46 | 30.10 | 21.44 | 31.82 | 22.53 |
| 47 | 26.24 | 19.12 | 27.91 | 20.22 | 29.66 | 21.37 | 31.22 | 22.36 |
| 55 | 27.01 | 20.32 | 28.43 | 21.27 | 29.65 | 22.06 | 31.14 | 23.05 |
| 65 | 26.63 | 21.10 | 28.33 | 22.31 | 29.70 | 23.26 | 31.07 | 24.20 |
| 75 | 27.33 | 21.73 | 28.47 | 22.49 | 29.71 | 23.36 | 30.99 | 24.23 |
| 85 | 26.23 | 20.91 | 27.76 | 22.01 | 29.28 | 23.10 | 30.79 | 24.14 |
| 95 | 26.27 | 21.43 | 27.71 | 22.48 | 29.32 | 23.64 | 30.67 | 24.60 |
| 105 | 25.53 | 21.74 | 27.05 | 22.88 | 28.38 | 23.87 | 29.65 | 24.79 |
| 115 | 23.50 | 22.32 | 24.61 | 23.27 | 25.80 | 24.25 | 27.44 | 25.63 |
| 122 | 22.23 | 22.15 | 23.21 | 23.02 | 24.51 | 24.23 | 25.85 | 25.46 |

HEATING CAPACITY 30 (208/230V)

| Outdoor Temperature - °F (Dry Bulb) | Indoor Temperature - °F (Dry Bulb) | | | |
|-------------------------------------|------------------------------------|-------------|-------------|-------------|
| | 60°F | 65°F | 70°F | 75°F |
| | Total mBtuh | Total mBtuh | Total mBtuh | Total mBtuh |
| -13 | 12.91 | 12.58 | 12.23 | 11.80 |
| -4 | 14.17 | 13.70 | 13.29 | 12.77 |
| 0 | 16.22 | 15.77 | 15.39 | 14.70 |
| 5 | 18.37 | 17.80 | 17.25 | 16.51 |
| 10 | 19.06 | 18.47 | 17.97 | 17.16 |
| 17 | 19.75 | 19.12 | 18.56 | 17.80 |
| 20 | 20.98 | 20.47 | 19.79 | 19.10 |
| 25 | 22.32 | 21.69 | 21.14 | 20.25 |
| 32 | 23.73 | 23.02 | 22.37 | 21.54 |
| 35 | 25.18 | 24.52 | 23.69 | 22.84 |
| 40 | 30.67 | 29.77 | 29.02 | 27.98 |
| 47 | 37.13 | 35.91 | 34.80 | 33.26 |
| 50 | 37.93 | 36.65 | 35.75 | 34.22 |
| 57 | 38.53 | 37.59 | 36.54 | 35.18 |

COOLING CAPACITY **36 (208/230V)**

| Outdoor Temperature - °F (Dry Bulb) | Indoor Temperature - °F (Dry Bulb / Wet Bulb) | | | | | | | |
|-------------------------------------|---|----------------|-------------|----------------|-------------|----------------|-------------|----------------|
| | 65°F / 54°F | | 70°F / 59°F | | 75°F / 63°F | | 80°F / 67°F | |
| | Total mBtuh | Sensible mBtuh | Total mBtuh | Sensible mBtuh | Total mBtuh | Sensible mBtuh | Total mBtuh | Sensible mBtuh |
| -13 | 31.05 | 19.68 | 32.82 | 20.69 | 34.73 | 21.76 | 36.37 | 22.66 |
| -4 | 31.67 | 20.72 | 33.13 | 21.53 | 34.58 | 22.37 | 36.79 | 23.66 |
| 0 | 31.61 | 21.76 | 33.63 | 23.04 | 35.03 | 23.86 | 36.91 | 24.99 |
| 5 | 30.88 | 21.79 | 32.75 | 23.00 | 34.84 | 24.33 | 37.02 | 25.73 |
| 17 | 32.00 | 22.24 | 33.37 | 23.07 | 35.23 | 24.23 | 37.32 | 25.53 |
| 25 | 32.68 | 23.61 | 34.26 | 24.64 | 35.91 | 25.70 | 37.68 | 26.79 |
| 35 | 32.32 | 23.91 | 34.35 | 25.28 | 36.50 | 26.73 | 38.06 | 27.71 |
| 47 | 33.32 | 25.23 | 34.93 | 26.33 | 37.16 | 27.87 | 38.75 | 28.91 |
| 55 | 33.81 | 25.48 | 35.85 | 26.90 | 37.74 | 28.18 | 39.56 | 29.39 |
| 65 | 35.40 | 26.64 | 37.07 | 27.74 | 38.69 | 28.83 | 40.43 | 29.96 |
| 75 | 35.82 | 28.10 | 37.58 | 29.32 | 39.19 | 30.40 | 41.25 | 31.85 |
| 85 | 34.80 | 28.04 | 36.59 | 29.30 | 38.47 | 30.64 | 40.58 | 32.14 |
| 95 | 32.83 | 26.57 | 34.63 | 27.86 | 36.60 | 29.26 | 38.86 | 30.89 |
| 105 | 31.34 | 26.85 | 33.13 | 28.25 | 34.77 | 29.50 | 36.99 | 31.18 |
| 115 | 29.14 | 27.32 | 30.61 | 28.57 | 32.12 | 29.84 | 33.81 | 31.24 |
| 122 | 27.45 | 27.35 | 28.71 | 28.50 | 30.22 | 29.89 | 31.98 | 31.50 |

HEATING CAPACITY **36 (208/230V)**

| Outdoor Temperature - °F (Dry Bulb) | Indoor Temperature - °F (Dry Bulb) | | | |
|-------------------------------------|------------------------------------|-------------|-------------|-------------|
| | 60°F | 65°F | 70°F | 75°F |
| | Total mBtuh | Total mBtuh | Total mBtuh | Total mBtuh |
| -13 | 16.09 | 15.63 | 15.24 | 14.67 |
| -4 | 17.64 | 17.21 | 16.66 | 15.97 |
| 0 | 19.81 | 19.24 | 18.73 | 17.94 |
| 5 | 21.65 | 21.04 | 20.43 | 19.69 |
| 10 | 22.19 | 21.59 | 20.96 | 20.16 |
| 17 | 22.67 | 22.01 | 21.48 | 20.51 |
| 20 | 24.17 | 23.53 | 22.87 | 22.05 |
| 25 | 25.86 | 24.99 | 24.26 | 23.41 |
| 32 | 27.07 | 26.36 | 25.59 | 24.54 |
| 35 | 28.44 | 27.75 | 26.89 | 25.68 |
| 40 | 34.58 | 33.47 | 32.40 | 30.98 |
| 47 | 39.30 | 38.16 | 37.01 | 35.35 |
| 50 | 39.67 | 38.63 | 37.61 | 36.26 |
| 57 | 40.52 | 39.15 | 38.12 | 36.79 |

COOLING CAPACITY 48 (208/230V)

| Outdoor Temperature - °F (Dry Bulb) | Indoor Temperature - °F (Dry Bulb / Wet Bulb) | | | | | | | |
|-------------------------------------|---|----------------|-------------|----------------|-------------|----------------|-------------|----------------|
| | 65°F / 54°F | | 70°F / 59°F | | 75°F / 63°F | | 80°F / 67°F | |
| | Total mBtuh | Sensible mBtuh | Total mBtuh | Sensible mBtuh | Total mBtuh | Sensible mBtuh | Total mBtuh | Sensible mBtuh |
| -13 | 36.34 | 22.93 | 38.29 | 24.02 | 40.56 | 25.30 | 42.56 | 26.39 |
| -4 | 38.93 | 25.90 | 41.11 | 27.20 | 43.18 | 28.40 | 45.94 | 30.04 |
| 0 | 41.46 | 28.60 | 43.97 | 30.15 | 45.99 | 31.36 | 48.36 | 32.79 |
| 5 | 43.21 | 30.20 | 45.82 | 31.84 | 48.64 | 33.64 | 51.04 | 35.07 |
| 17 | 46.23 | 33.23 | 49.07 | 35.06 | 51.12 | 36.30 | 53.25 | 37.59 |
| 25 | 47.16 | 34.36 | 49.80 | 36.09 | 51.87 | 37.38 | 55.07 | 39.48 |
| 35 | 48.41 | 35.24 | 50.91 | 36.85 | 53.64 | 38.62 | 56.58 | 40.51 |
| 47 | 49.29 | 37.40 | 51.77 | 39.03 | 54.96 | 41.21 | 57.61 | 42.98 |
| 55 | 49.36 | 37.60 | 52.07 | 39.49 | 54.35 | 40.96 | 57.76 | 43.32 |
| 65 | 49.44 | 38.62 | 52.10 | 40.49 | 55.43 | 42.87 | 57.92 | 44.54 |
| 75 | 49.21 | 38.99 | 52.30 | 41.19 | 54.76 | 42.86 | 58.07 | 45.18 |
| 85 | 45.84 | 35.51 | 47.75 | 36.79 | 50.43 | 38.61 | 53.02 | 40.40 |
| 95 | 42.06 | 33.73 | 43.85 | 34.97 | 45.97 | 36.43 | 48.75 | 38.46 |
| 105 | 36.70 | 31.09 | 38.59 | 32.52 | 40.88 | 34.29 | 43.49 | 36.27 |
| 115 | 27.32 | 25.39 | 28.49 | 26.31 | 30.11 | 27.68 | 31.70 | 29.00 |
| 122 | 22.63 | 22.65 | 23.87 | 23.78 | 25.32 | 25.12 | 26.43 | 26.11 |

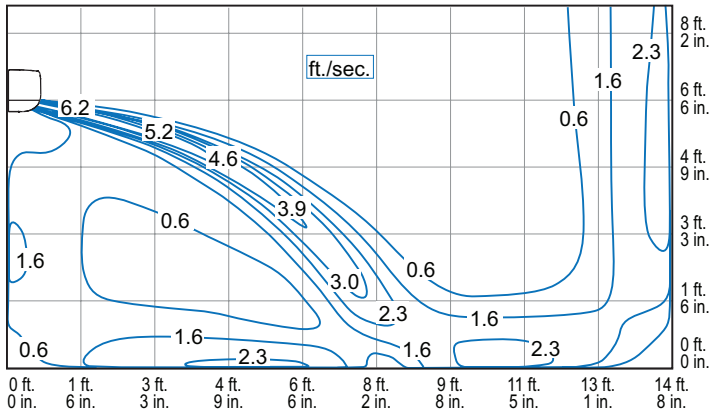
HEATING CAPACITY 48 (208/230V)

| Outdoor Temperature - °F (Dry Bulb) | Indoor Temperature - °F (Dry Bulb) | | | |
|-------------------------------------|------------------------------------|-------------|-------------|-------------|
| | 60°F | 65°F | 70°F | 75°F |
| | Total mBtuh | Total mBtuh | Total mBtuh | Total mBtuh |
| -13 | 29.04 | 28.31 | 27.35 | 26.28 |
| -4 | 33.00 | 32.10 | 31.29 | 29.97 |
| 0 | 34.64 | 33.51 | 32.62 | 31.19 |
| 5 | 36.19 | 35.03 | 34.01 | 32.76 |
| 10 | 38.94 | 37.96 | 36.74 | 35.13 |
| 17 | 41.56 | 40.35 | 39.36 | 37.75 |
| 20 | 44.16 | 42.91 | 41.66 | 39.79 |
| 25 | 46.38 | 45.16 | 43.81 | 42.14 |
| 32 | 48.96 | 47.53 | 46.15 | 44.35 |
| 35 | 51.38 | 49.88 | 48.38 | 46.59 |
| 40 | 53.55 | 52.19 | 50.82 | 49.04 |
| 47 | 56.85 | 55.14 | 53.74 | 51.65 |
| 50 | 57.79 | 56.00 | 54.21 | 51.99 |
| 57 | 58.30 | 56.43 | 54.69 | 52.28 |

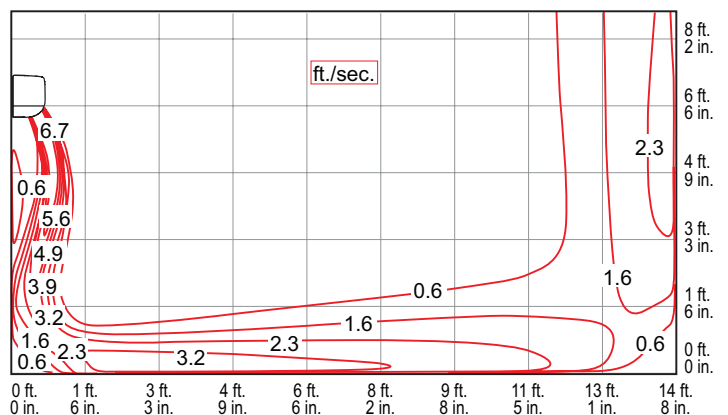
AIR THROW DATA

WALL-MOUNTED INDOOR UNITS

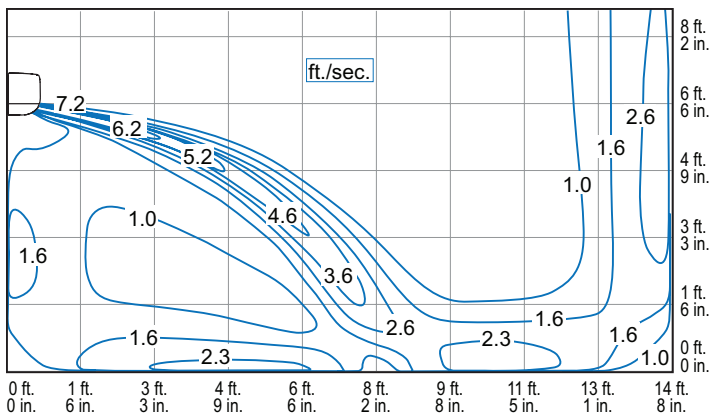
DWM206S4 - COOLING



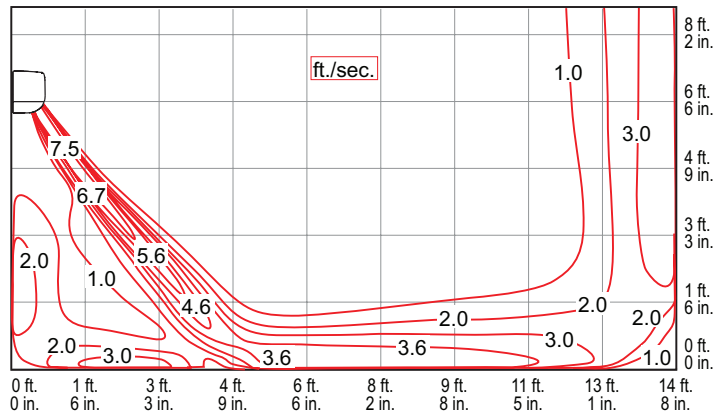
DWM206S4 - HEATING



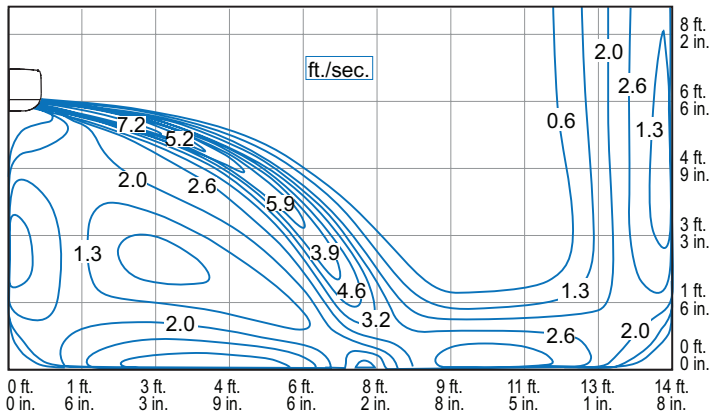
DWM209S4 - COOLING



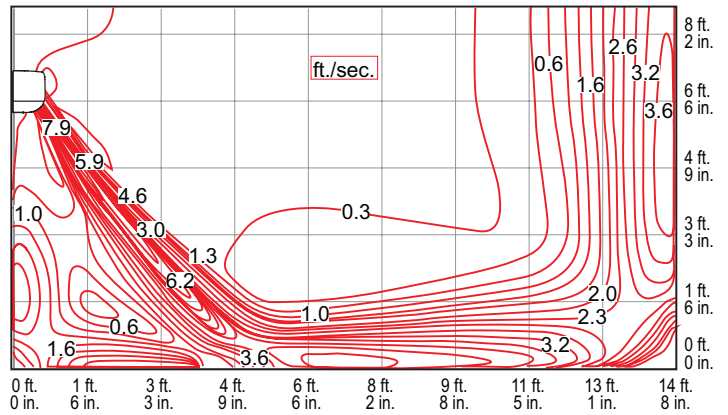
DWM209S4 - HEATING



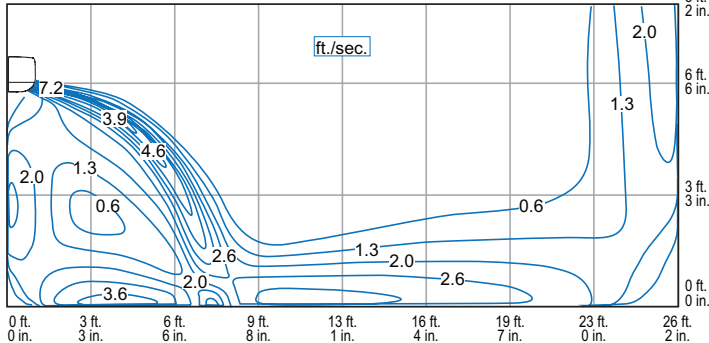
DWM212S4 - COOLING



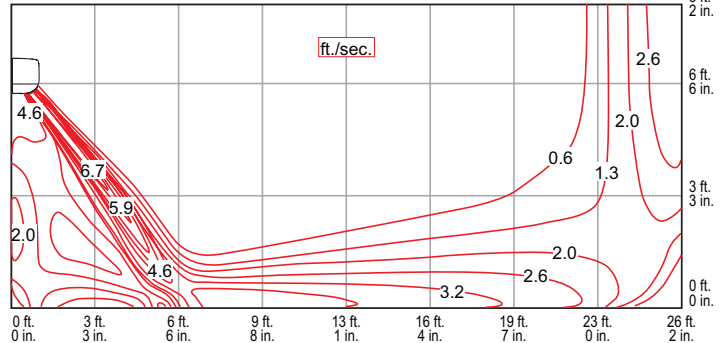
DWM212S4 - HEATING



DWM218S4 - COOLING



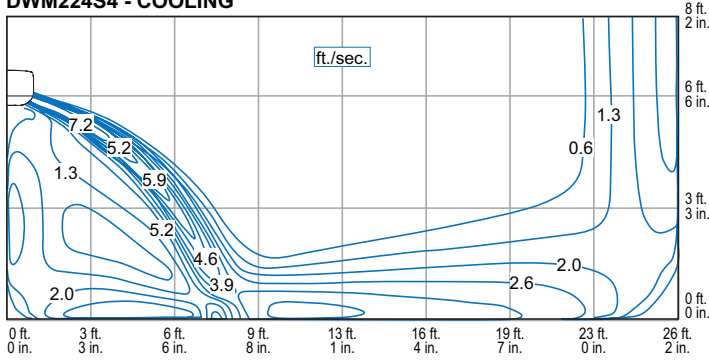
DWM218S4 - HEATING



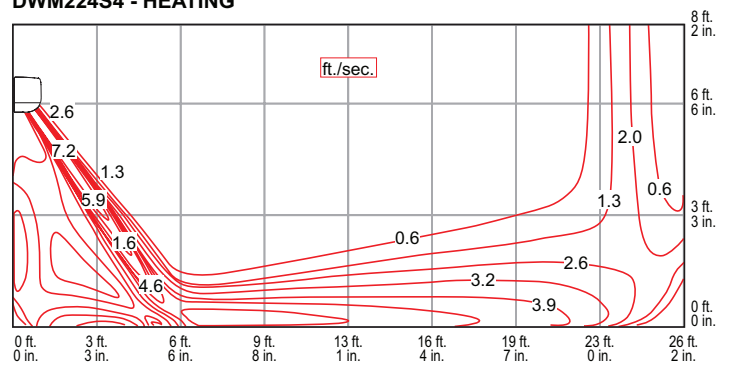
AIR THROW DATA

WALL-MOUNTED INDOOR UNITS

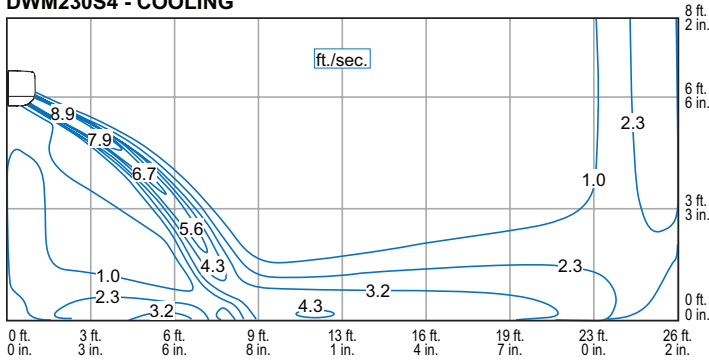
DWM224S4 - COOLING



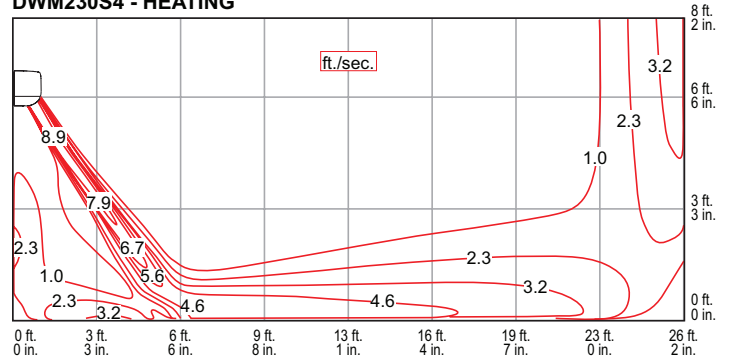
DWM224S4 - HEATING



DWM230S4 - COOLING



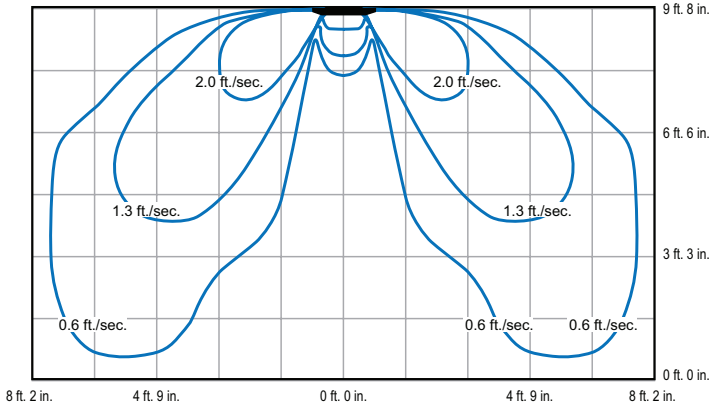
DWM230S4 - HEATING



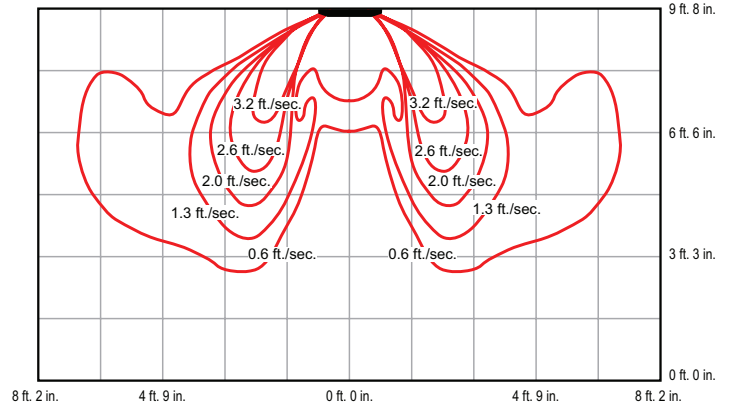
AIR THROW DATA

CASSETTE INDOOR UNITS

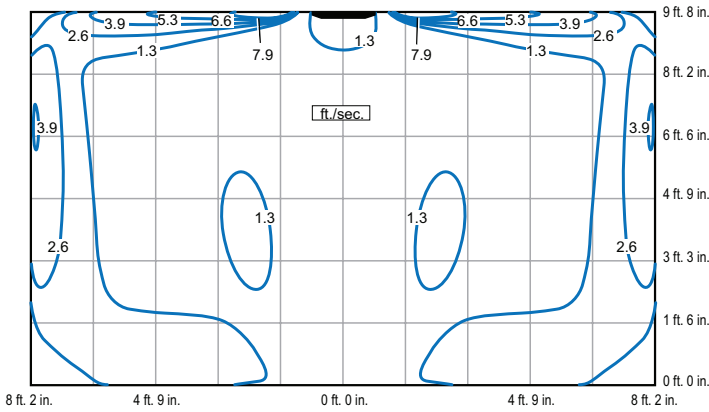
D22C109S4 AND D22C112S4 - COOLING



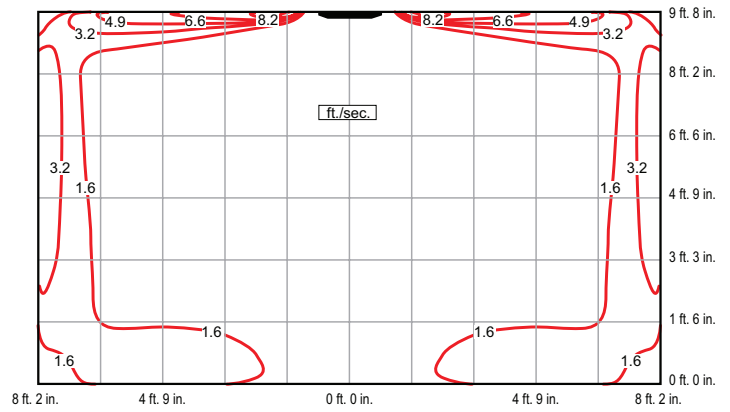
D22C109S4 AND D22C112S4 - HEATING



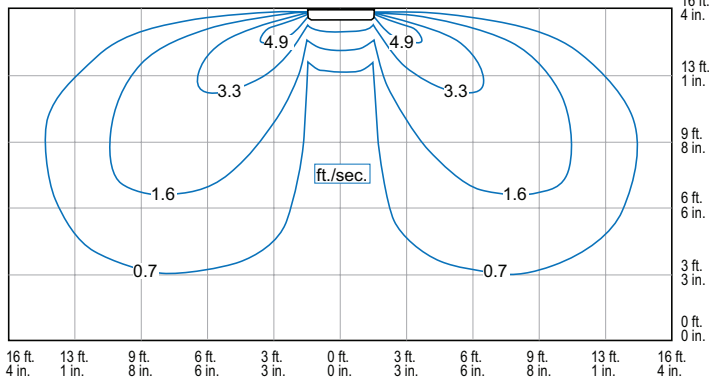
D22C118S4 - COOLING



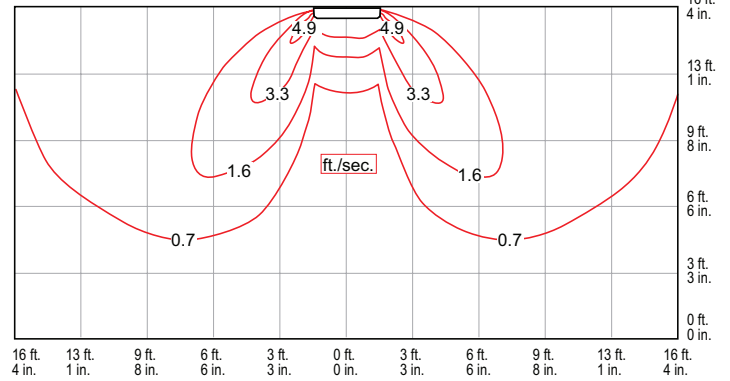
D22C118S4 - HEATING



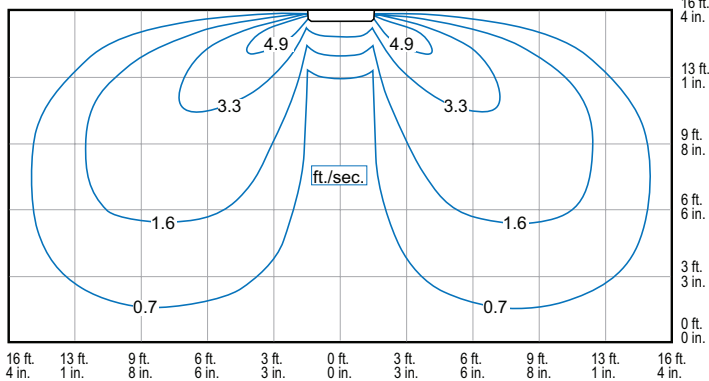
D33C224S4 - COOLING



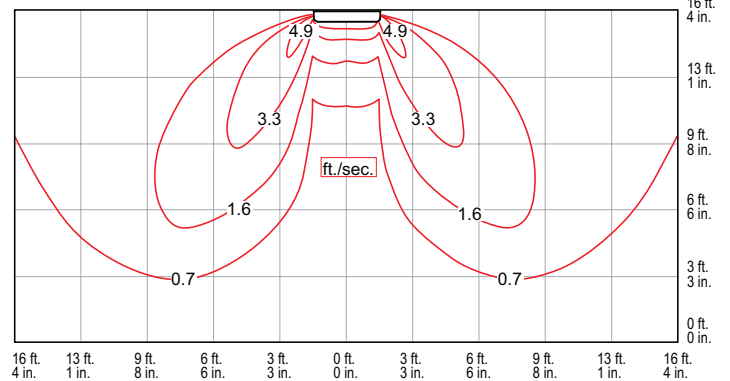
D33C224S4 - HEATING



D33C236S4 - COOLING



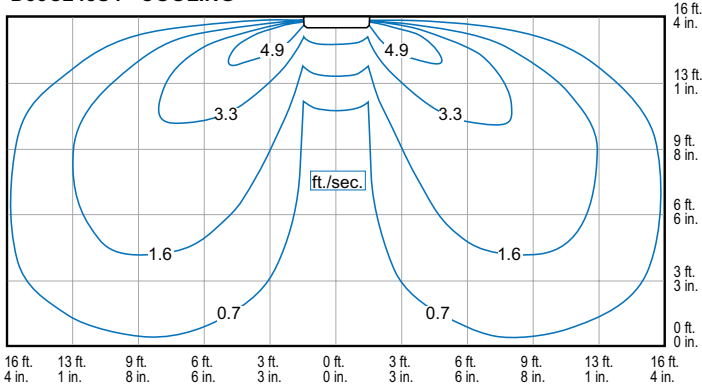
D33C236S4 - HEATING



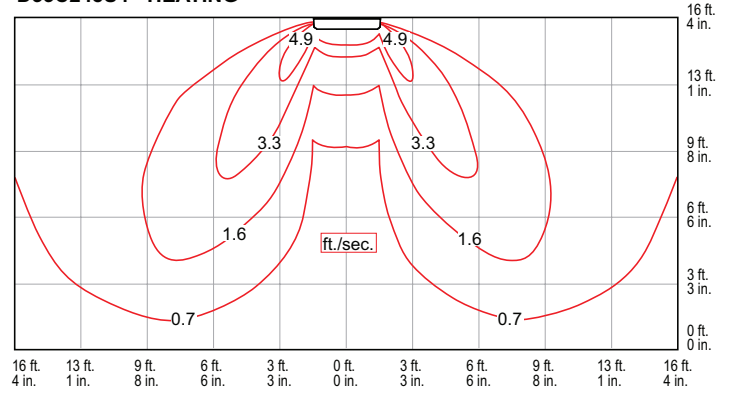
AIR THROW DATA

CASSETTE INDOOR UNITS

D33C248S4 - COOLING



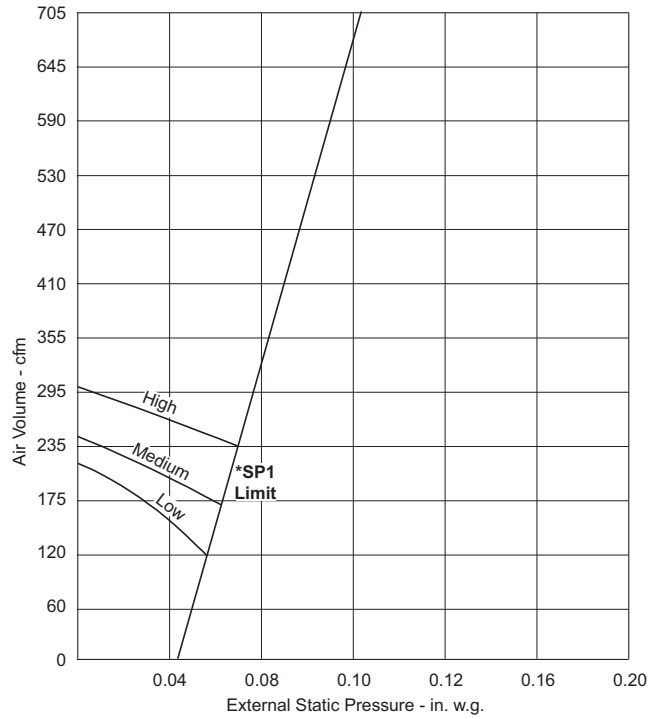
D33C248S4 - HEATING



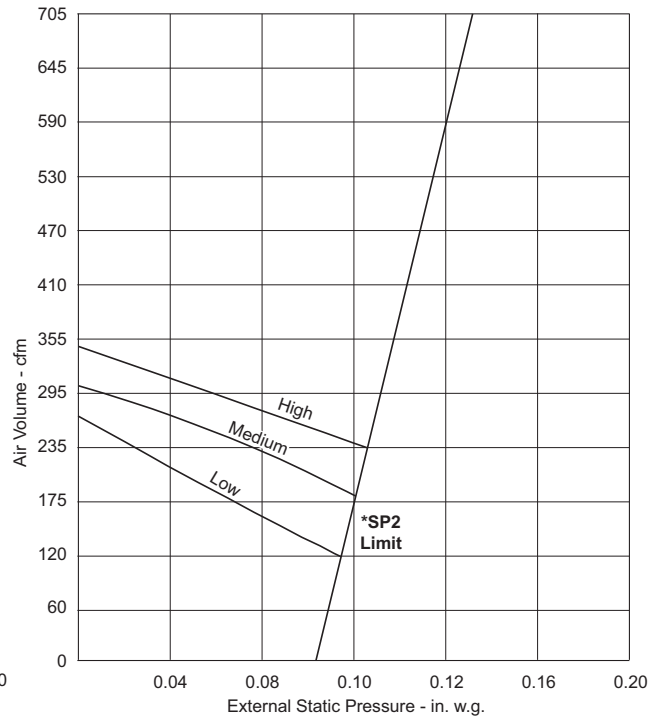
BLOWER DATA

MEDIUM STATIC DUCTED INDOOR UNITS

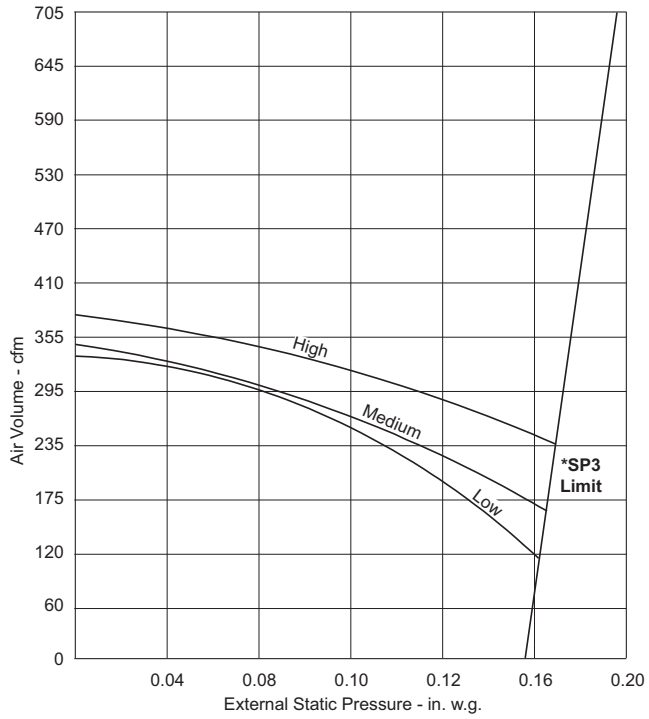
DMD209S4



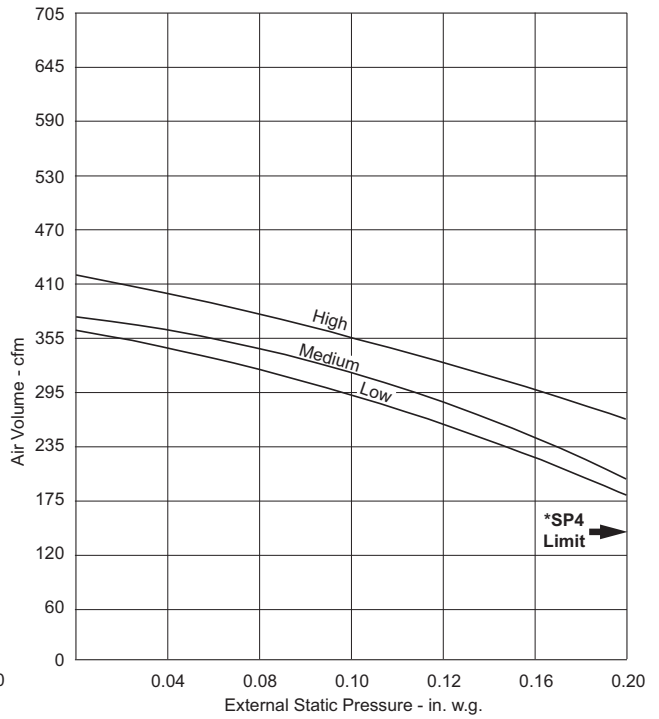
*SP1 Limit airflow rate setting on the controller.



*SP2 Limit airflow rate setting on the controller.



*SP3 Limit airflow rate setting on the controller.

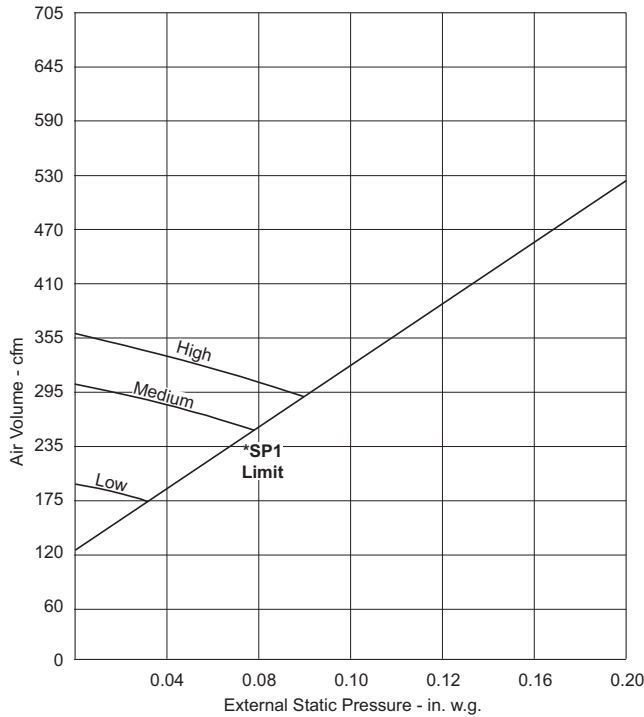


*SP4 Limit airflow rate setting on the controller.

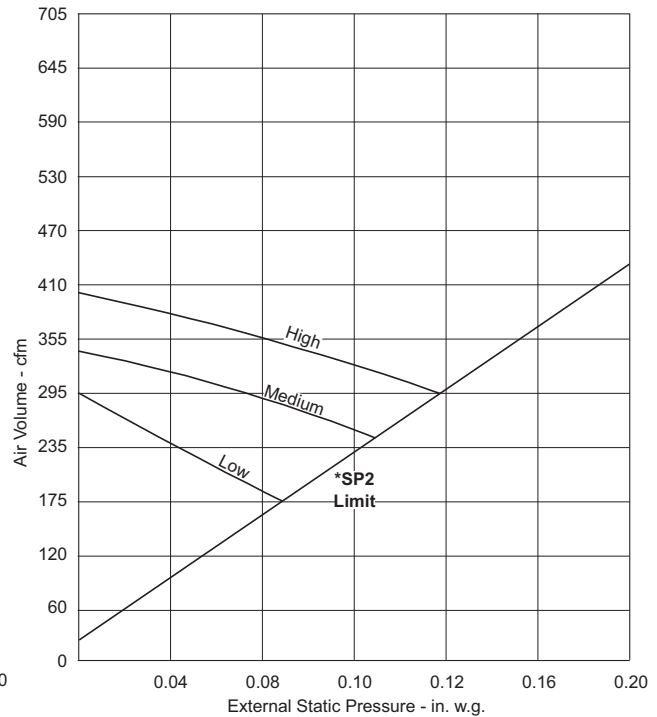
BLOWER DATA

MEDIUM STATIC DUCTED INDOOR UNITS

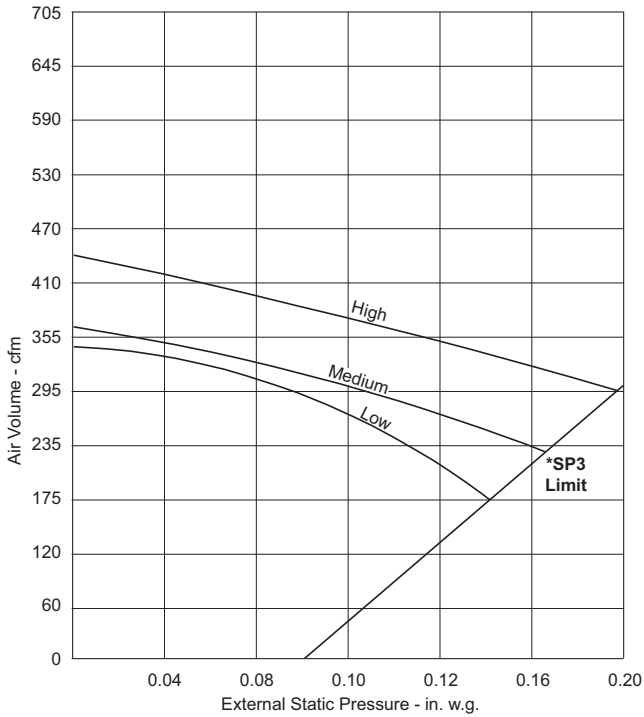
DMD212S4



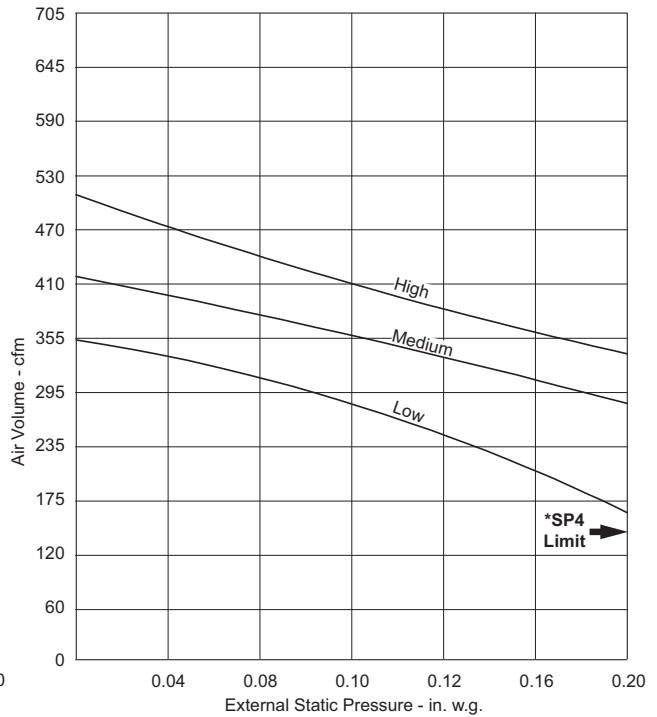
*SP1 Limit airflow rate setting on the controller.



*SP2 Limit airflow rate setting on the controller.



*SP3 Limit airflow rate setting on the controller.

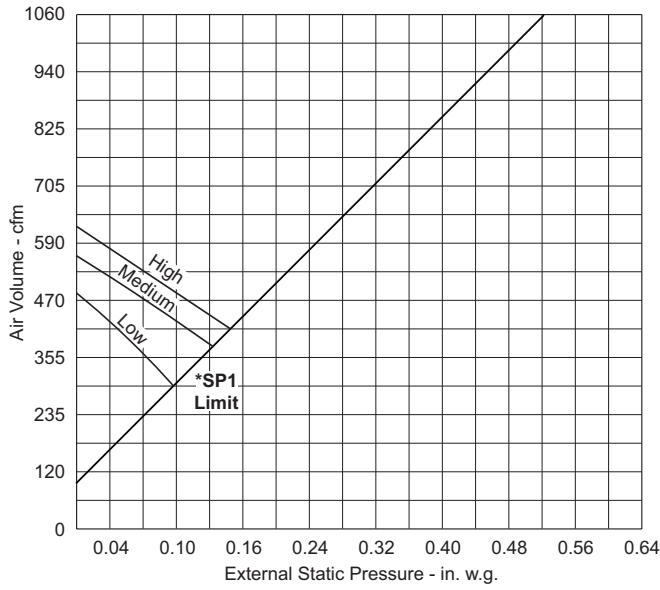


*SP4 Limit airflow rate setting on the controller.

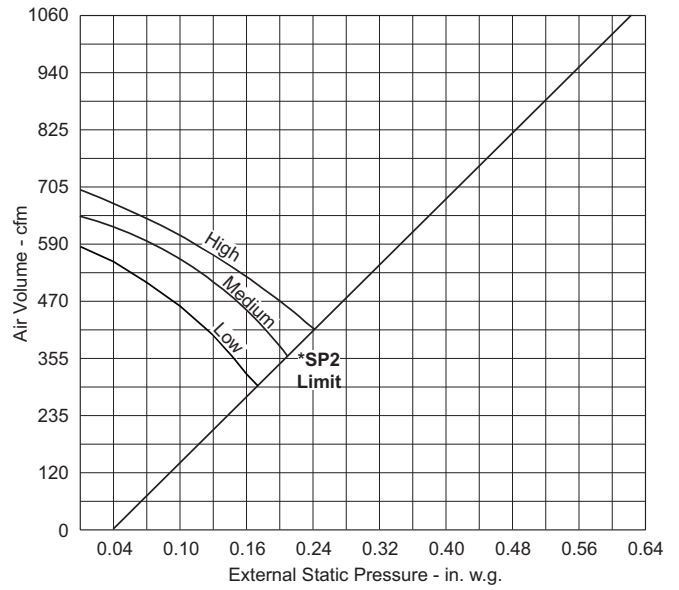
BLOWER DATA

MEDIUM STATIC DUCTED INDOOR UNITS

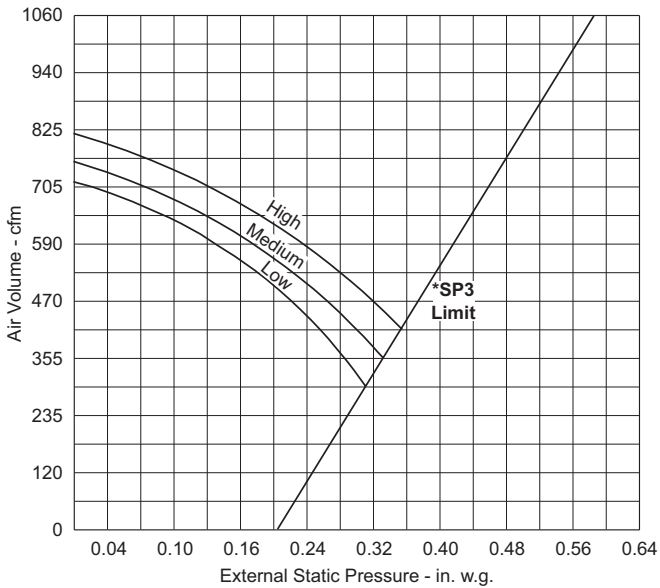
DMD218S4



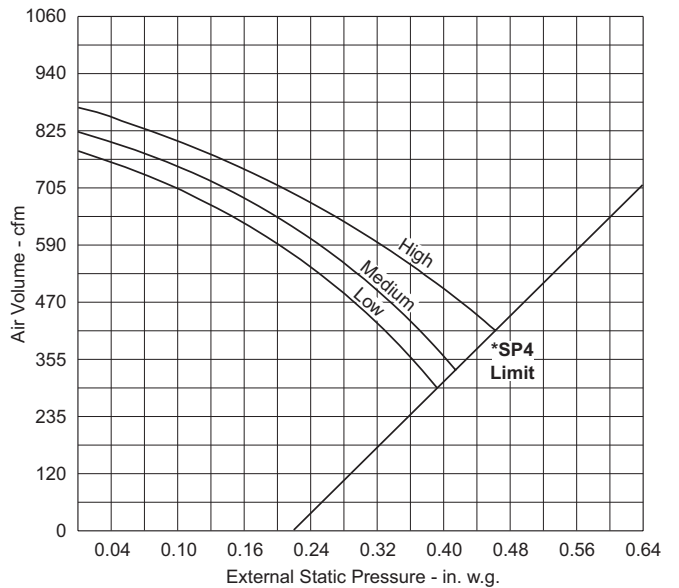
**SP1 Limit airflow rate setting on the controller.*



**SP2 Limit airflow rate setting on the controller.*



**SP3 Limit airflow rate setting on the controller.*

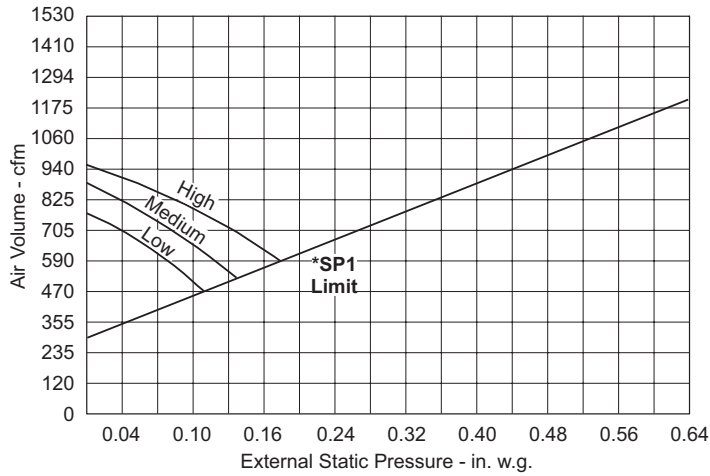


**SP4 Limit airflow rate setting on the controller.*

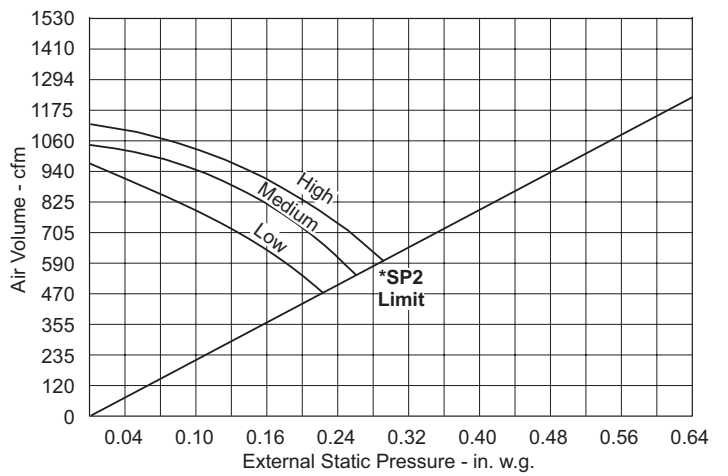
BLOWER DATA

MEDIUM STATIC DUCTED INDOOR UNITS

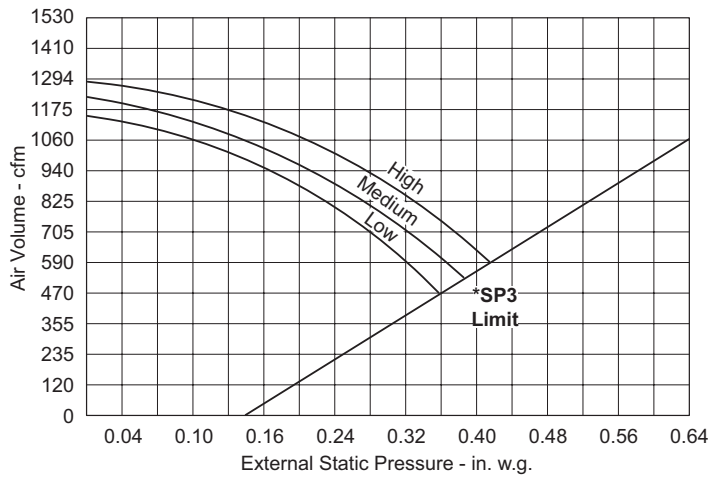
DMD224S4



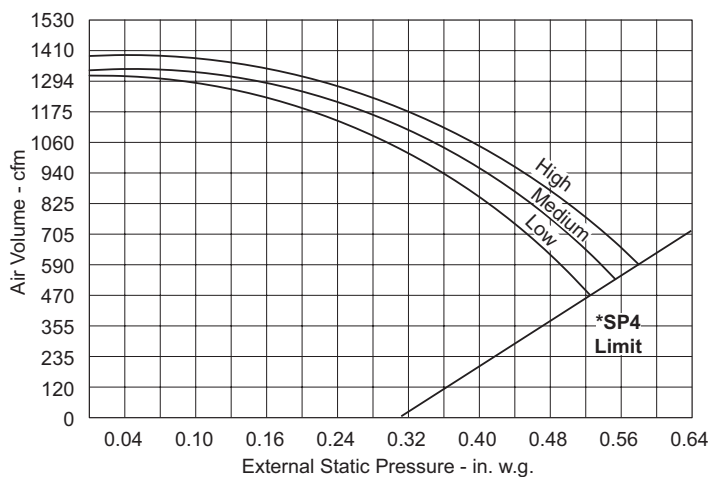
*SP1 Limit airflow rate setting on the controller.



*SP2 Limit airflow rate setting on the controller.



*SP3 Limit airflow rate setting on the controller.

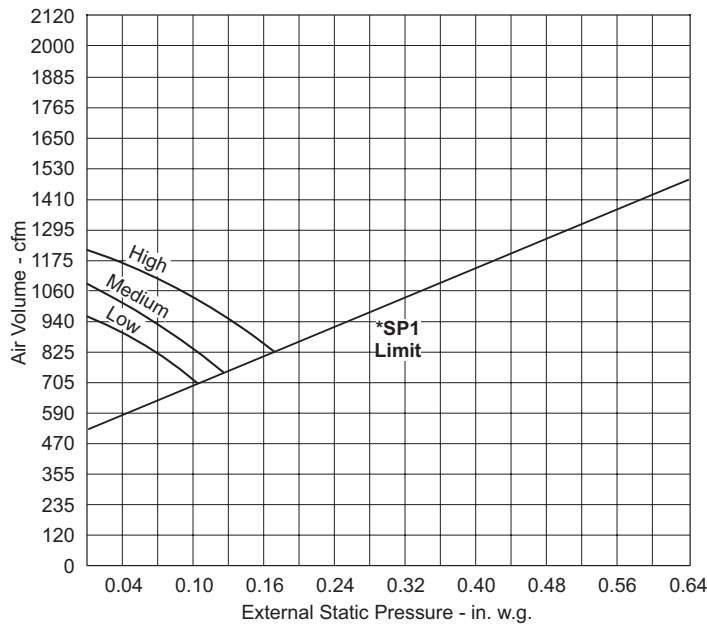


*SP4 Limit airflow rate setting on the controller.

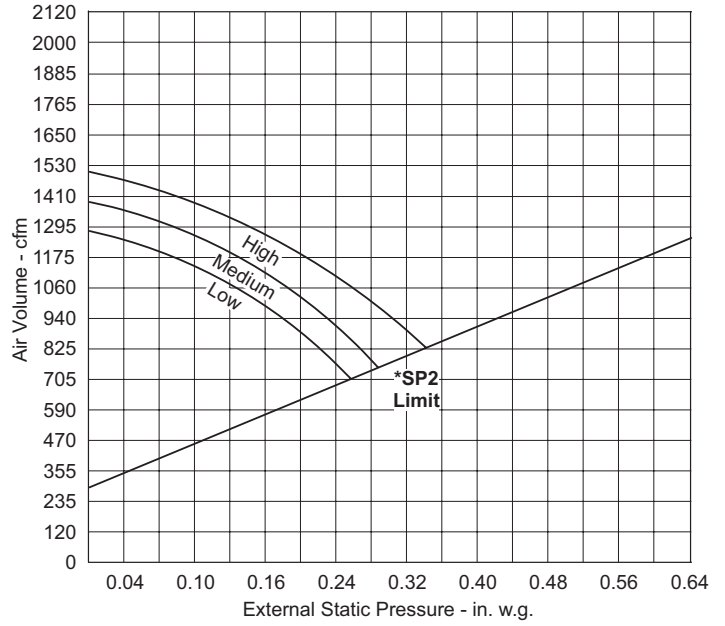
BLOWER DATA

MEDIUM STATIC DUCTED INDOOR UNITS

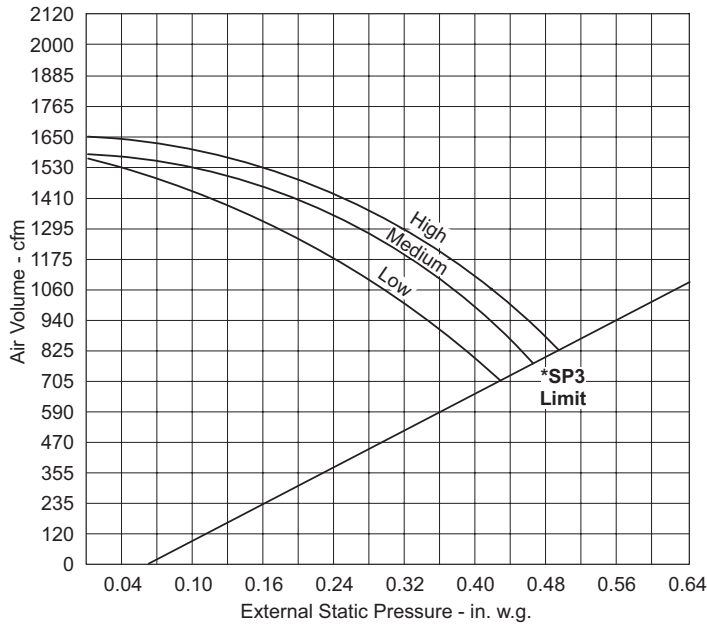
DMD236S4



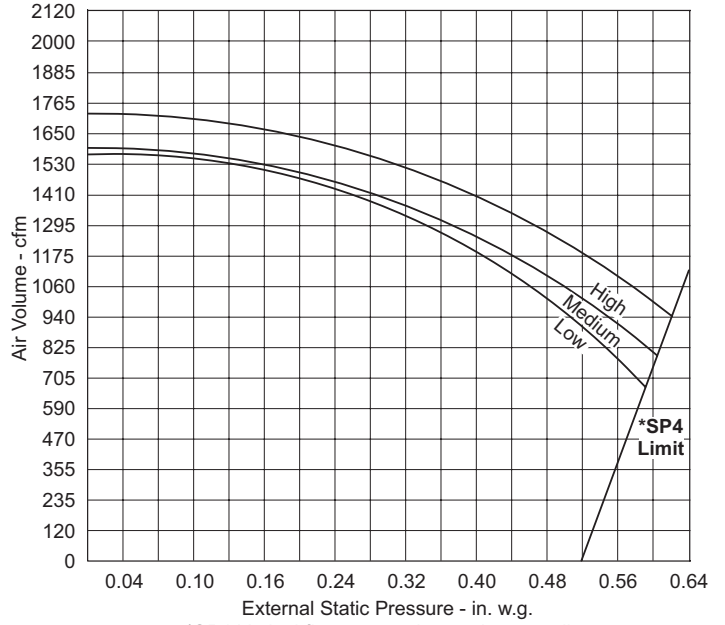
*SP1 Limit airflow rate setting on the controller.



*SP2 Limit airflow rate setting on the controller.



*SP3 Limit airflow rate setting on the controller.

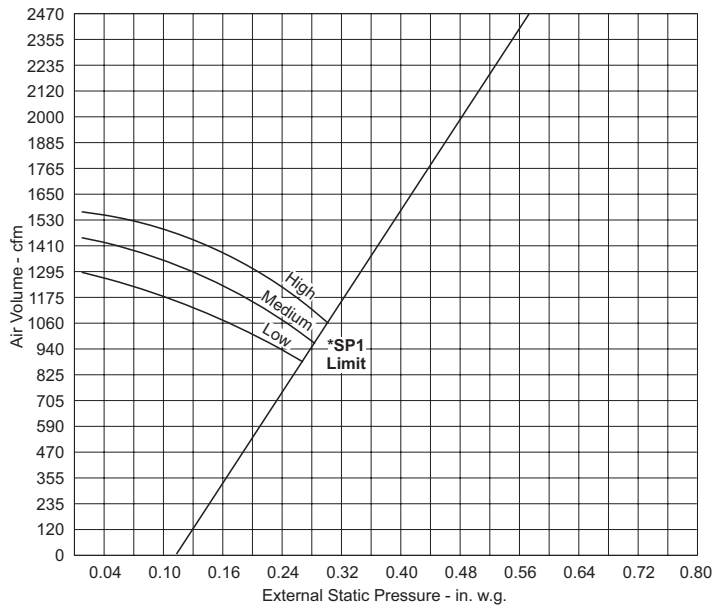


*SP4 Limit airflow rate setting on the controller.

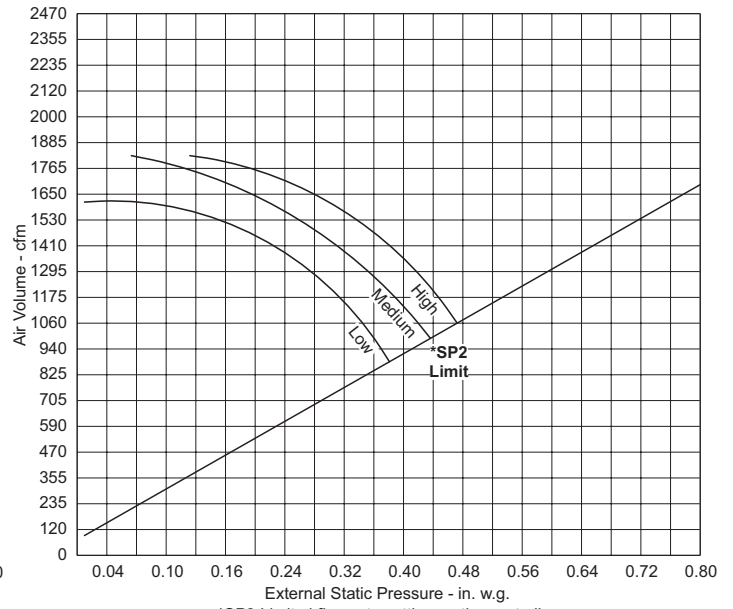
BLOWER DATA

MEDIUM STATIC DUCTED INDOOR UNITS

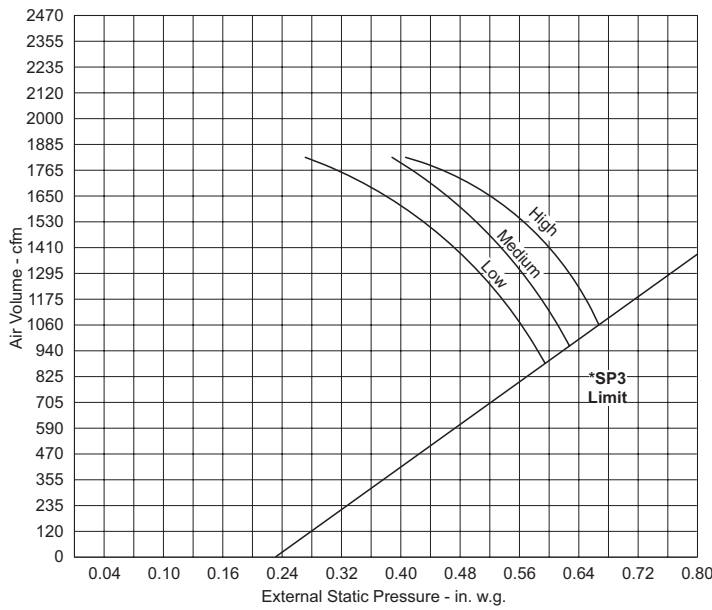
DMD248S4



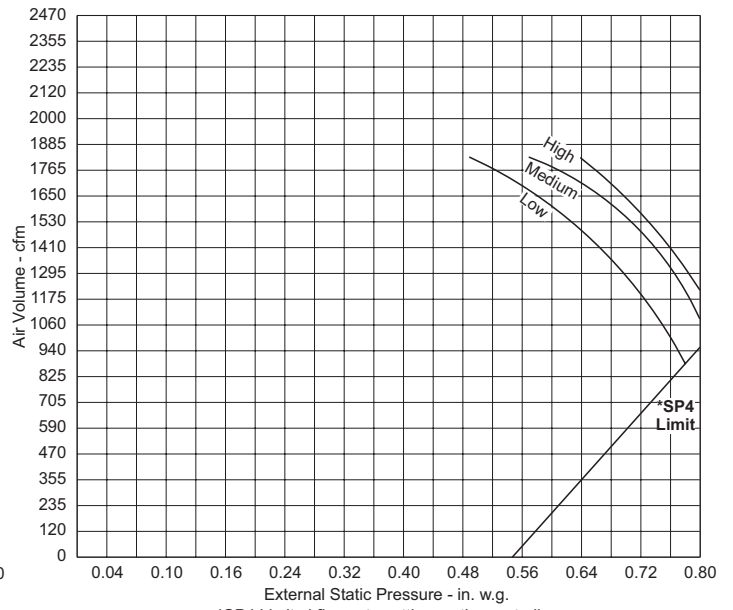
*SP1 Limit airflow rate setting on the controller.



*SP2 Limit airflow rate setting on the controller.



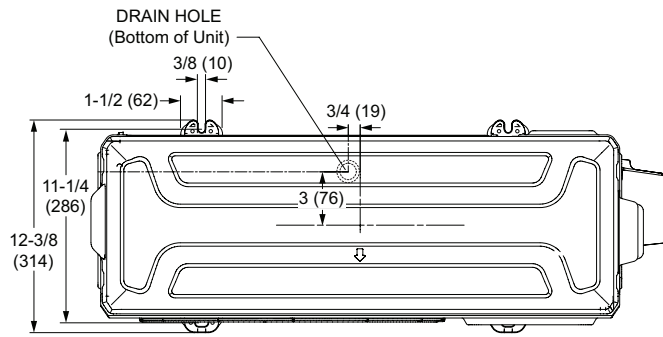
*SP3 Limit airflow rate setting on the controller.



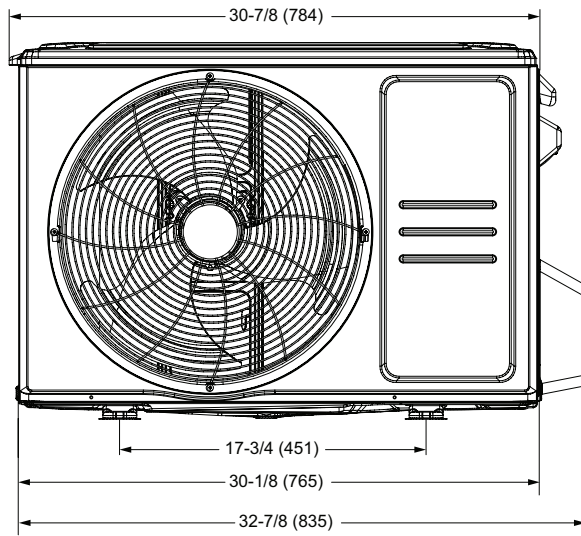
*SP4 Limit airflow rate setting on the controller.

DIMENSIONS

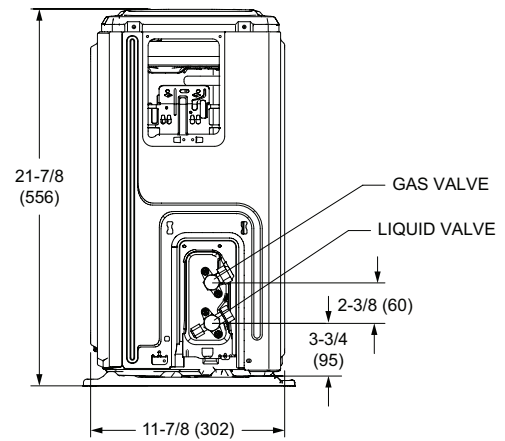
4DHP2S09S | 4DHP2S12S



TOP VIEW



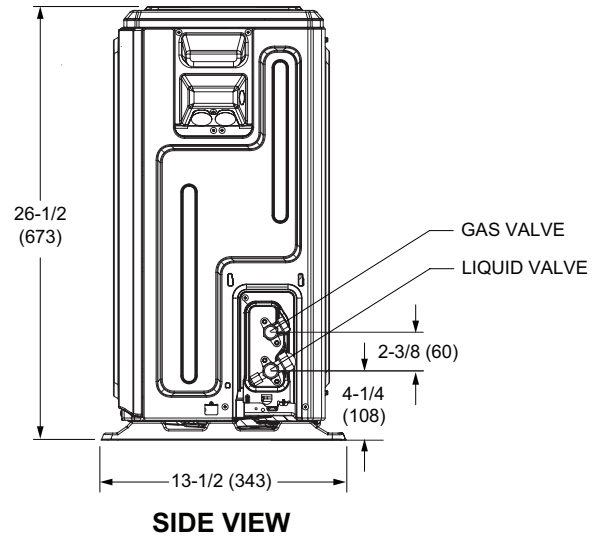
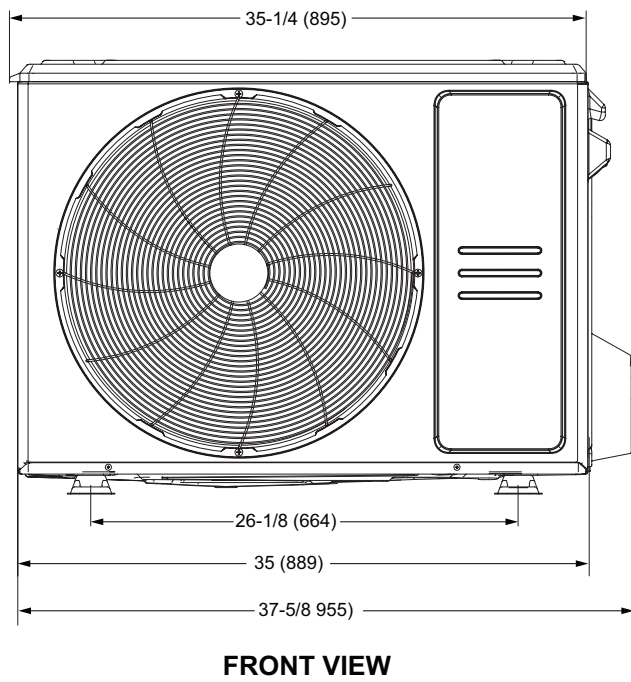
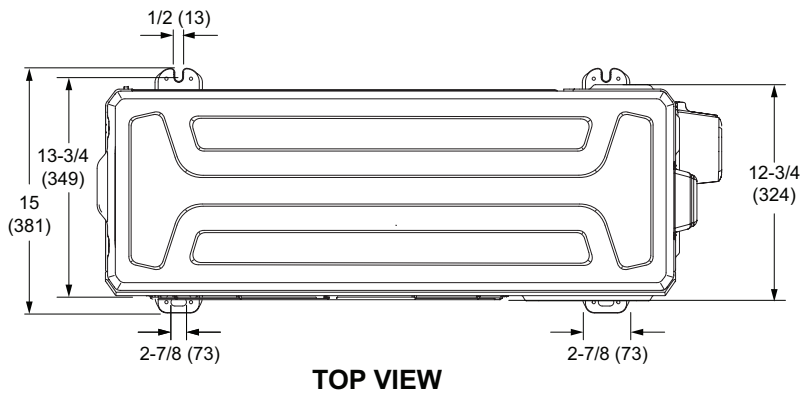
FRONT VIEW



SIDE VIEW

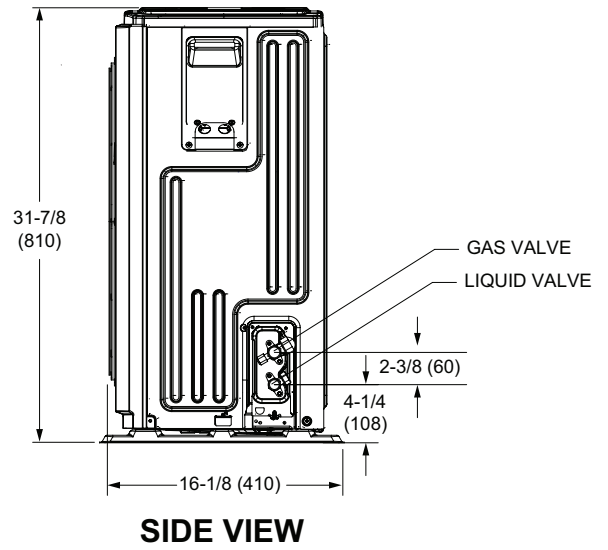
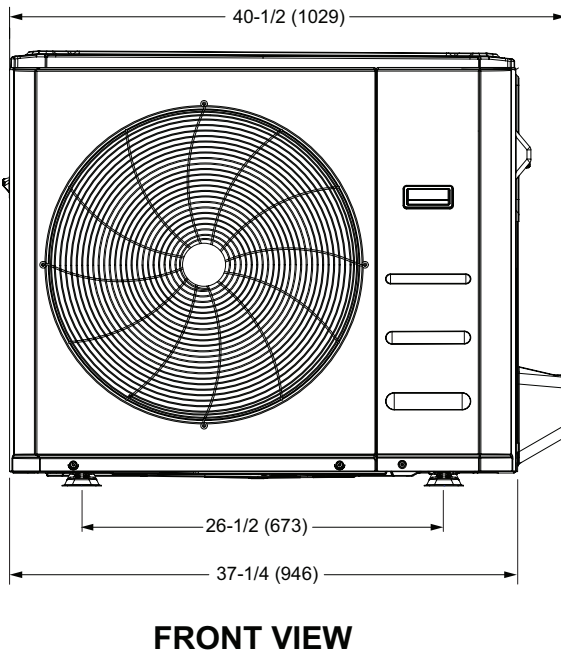
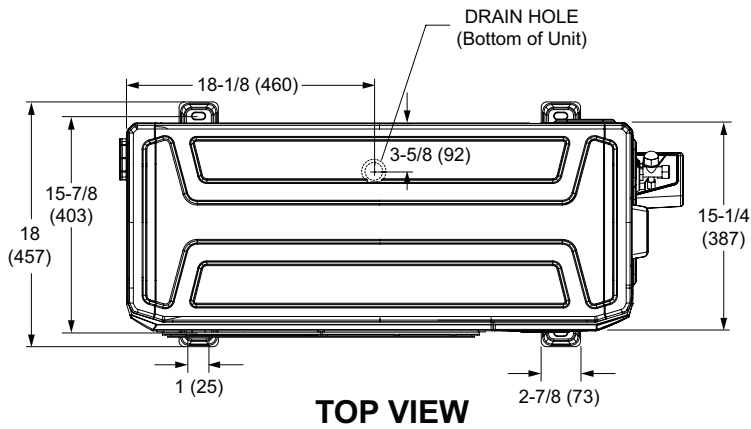
DIMENSIONS

4DHP2S18S



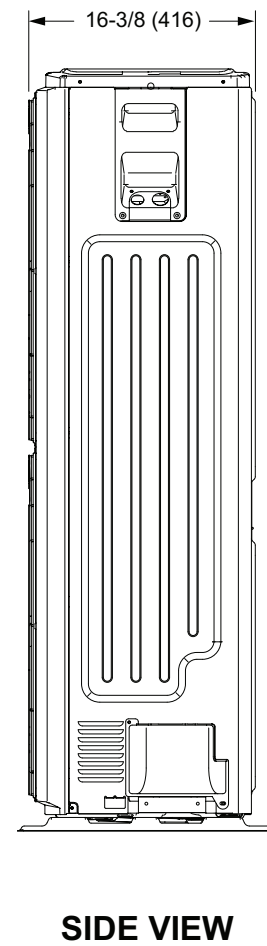
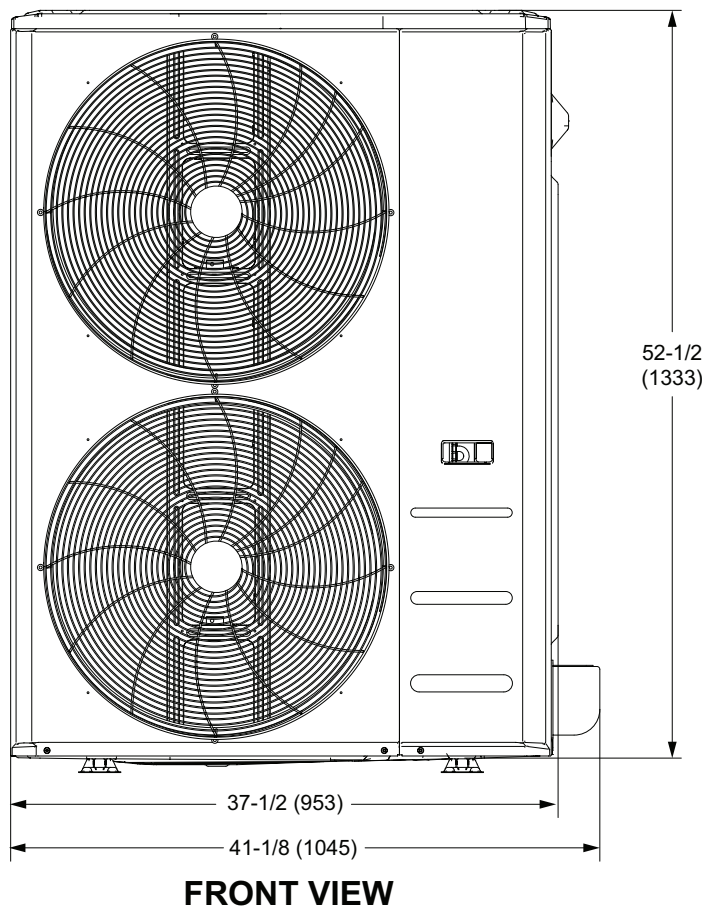
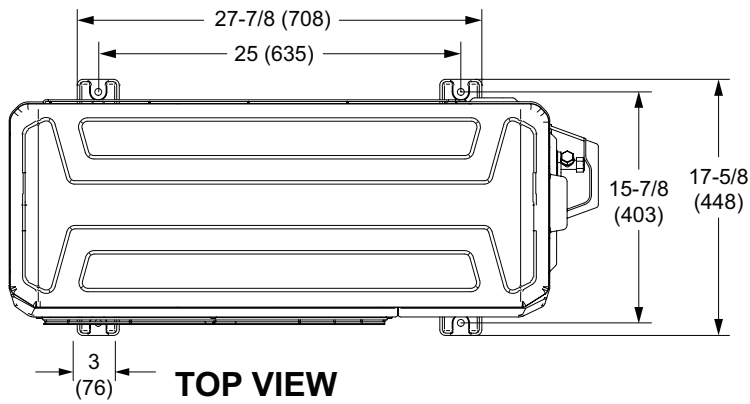
DIMENSIONS

4DHP2S24S | 4DHP2S30S | 4DHP2S36S



DIMENSIONS

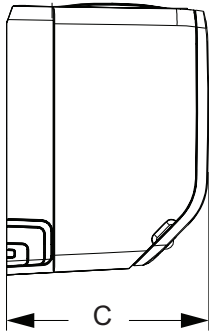
4DHP2S48S



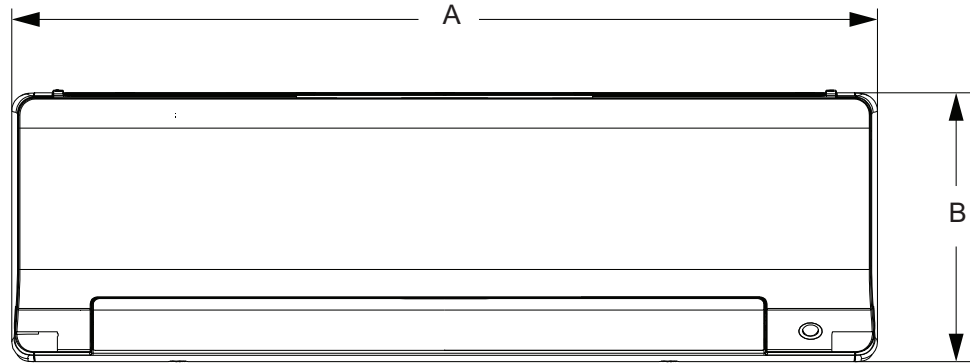
DIMENSIONS

WALL-MOUNTED INDOOR UNITS

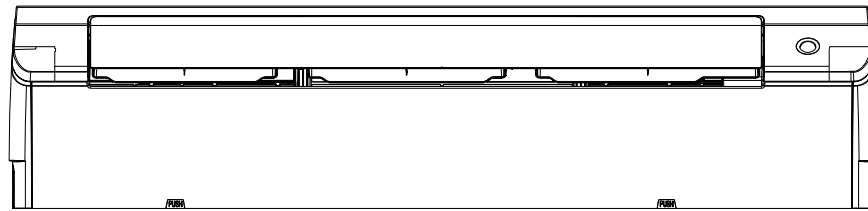
DWM206S4 | DWM209S4 | DWM212S4 | DWM218S4 | DWM224S4 | DWM230S4



SIDE VIEW



FRONT VIEW



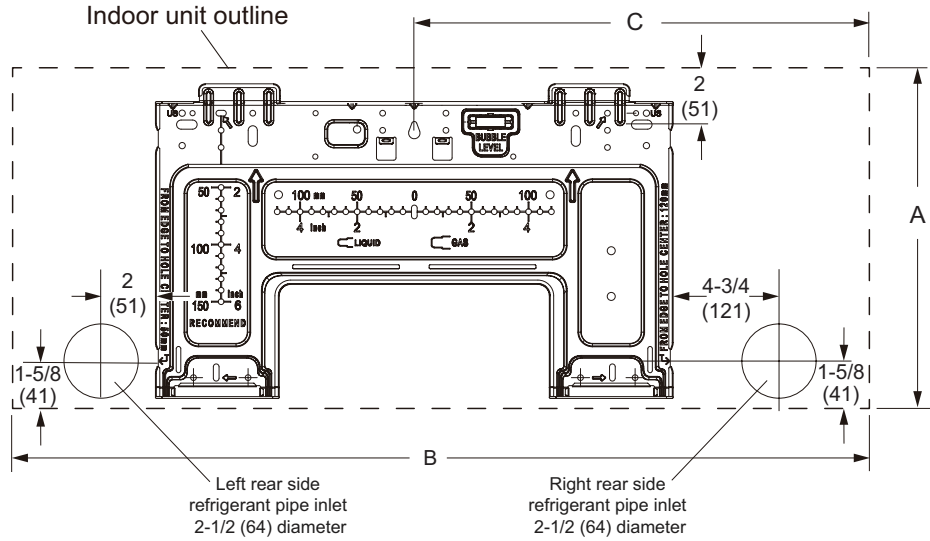
BOTTOM VIEW

| Size | A | | B | | C | |
|----------------|--------|------|--------|-----|-------|-----|
| | in. | mm | in. | mm | in. | mm |
| DWM206, 09, 12 | 33-3/8 | 848 | 11-3/4 | 298 | 9 | 229 |
| DWM218 | 40 | 1016 | 12-1/2 | 318 | 9-1/2 | 241 |
| DWM224, 30 | 46-7/8 | 1191 | 14-5/8 | 371 | 11 | 279 |

DIMENSIONS

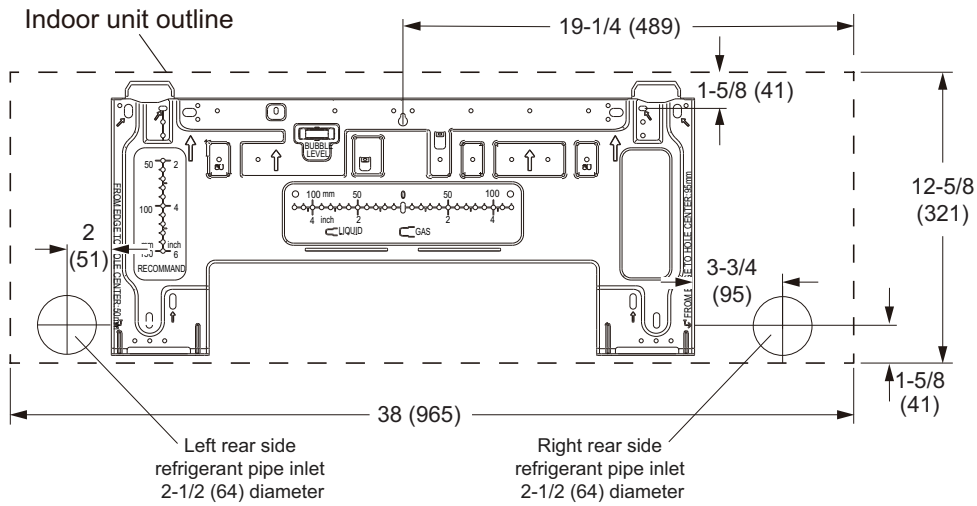
WALL-MOUNTED INDOOR UNITS - WALL PLATES

DWM206S4 | DWM209S4 | DWM212S4

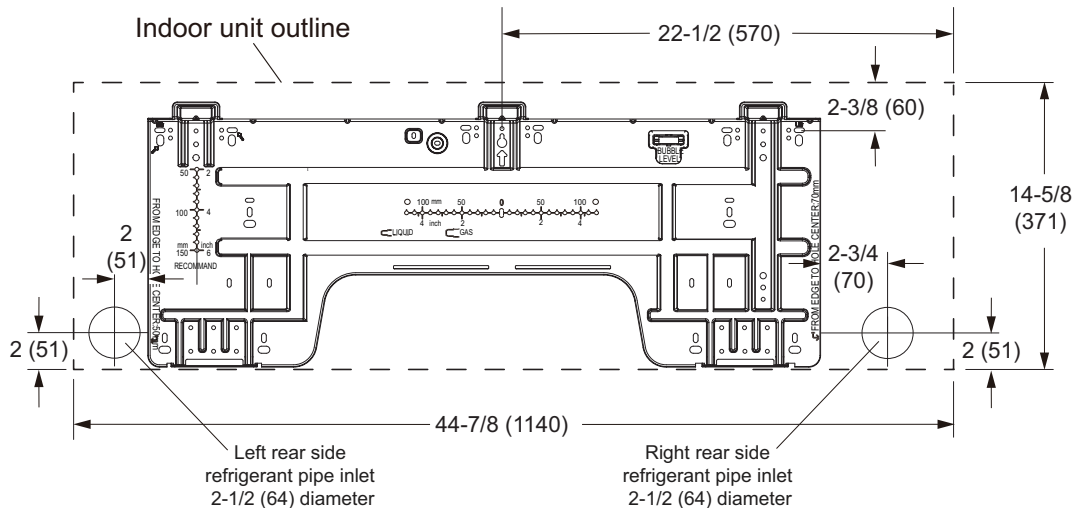


| Size | A | | B | | C | |
|--------|--------|-----|--------|-----|--------|-----|
| | in. | mm | in. | mm | in. | mm |
| DWM209 | 11-1/2 | 290 | 28-1/2 | 724 | 13-3/4 | 349 |
| DWM212 | 11-3/4 | 297 | 31-3/4 | 806 | 15-7/8 | 403 |

DWM218S4



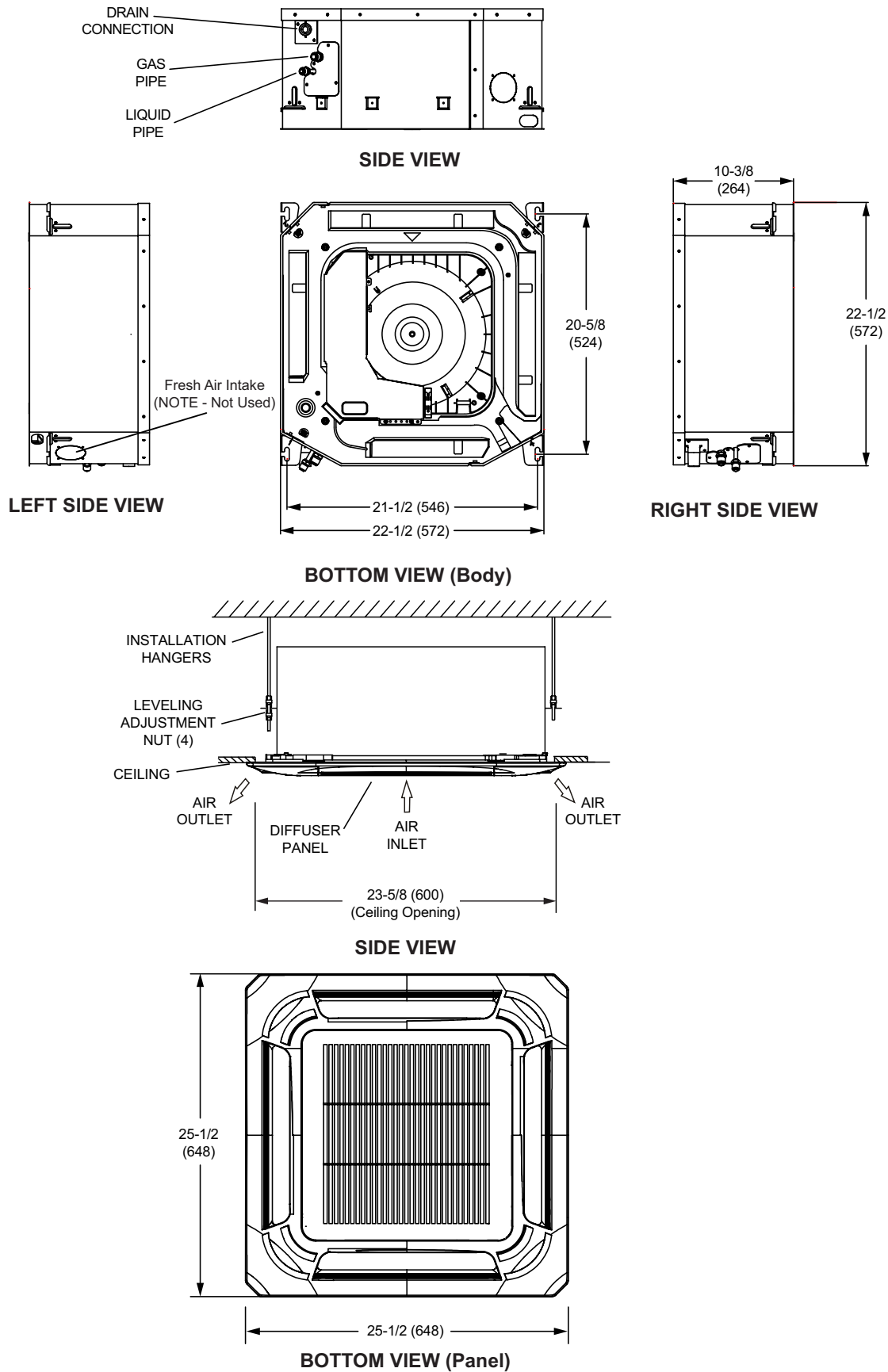
DWM224S4 | DWM230S4



DIMENSIONS

CASSETTE INDOOR UNITS

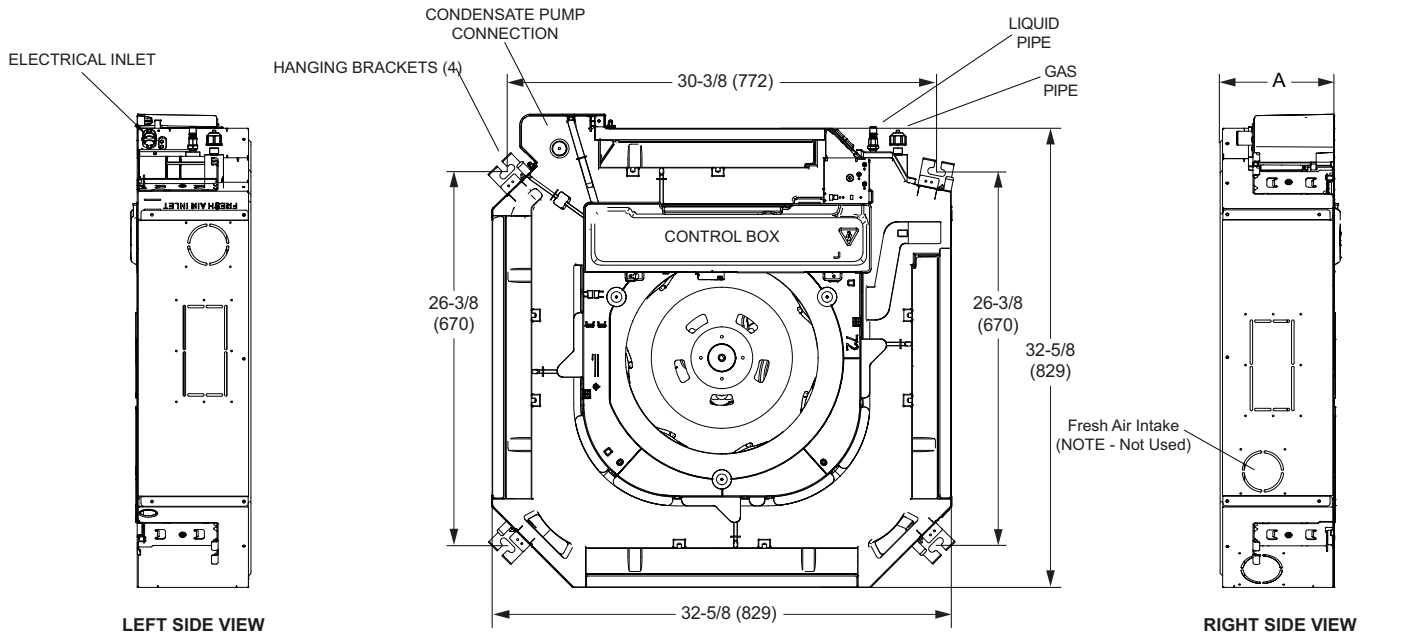
D22C109S4, D22C112S4, D22C118S4



DIMENSIONS

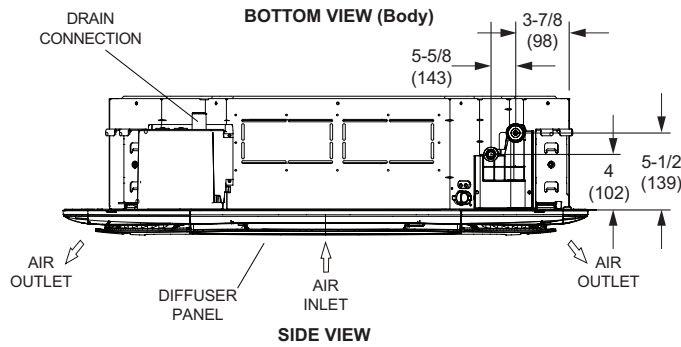
CASSETTE INDOOR UNITS

D33C224S4, D33C236S4, D33C248S4



LEFT SIDE VIEW

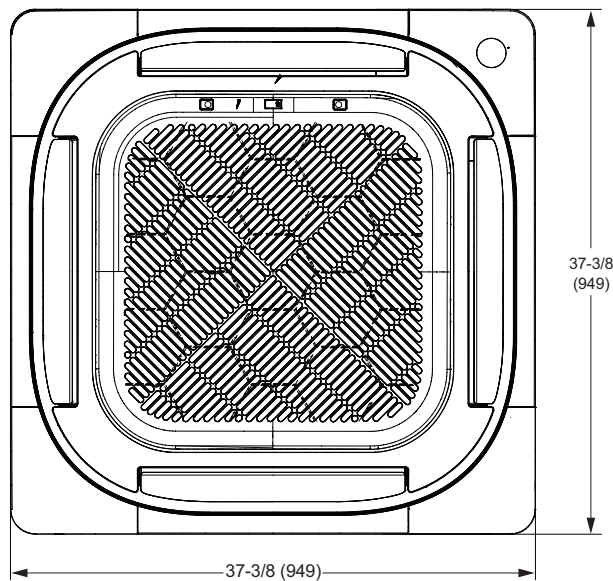
RIGHT SIDE VIEW



BOTTOM VIEW (Body)

SIDE VIEW

| Size | A | |
|------|--------|-----|
| | in. | mm |
| 24 | 8-1/8 | 206 |
| 36 | 9-5/8 | 244 |
| 48 | 11-1/4 | 286 |

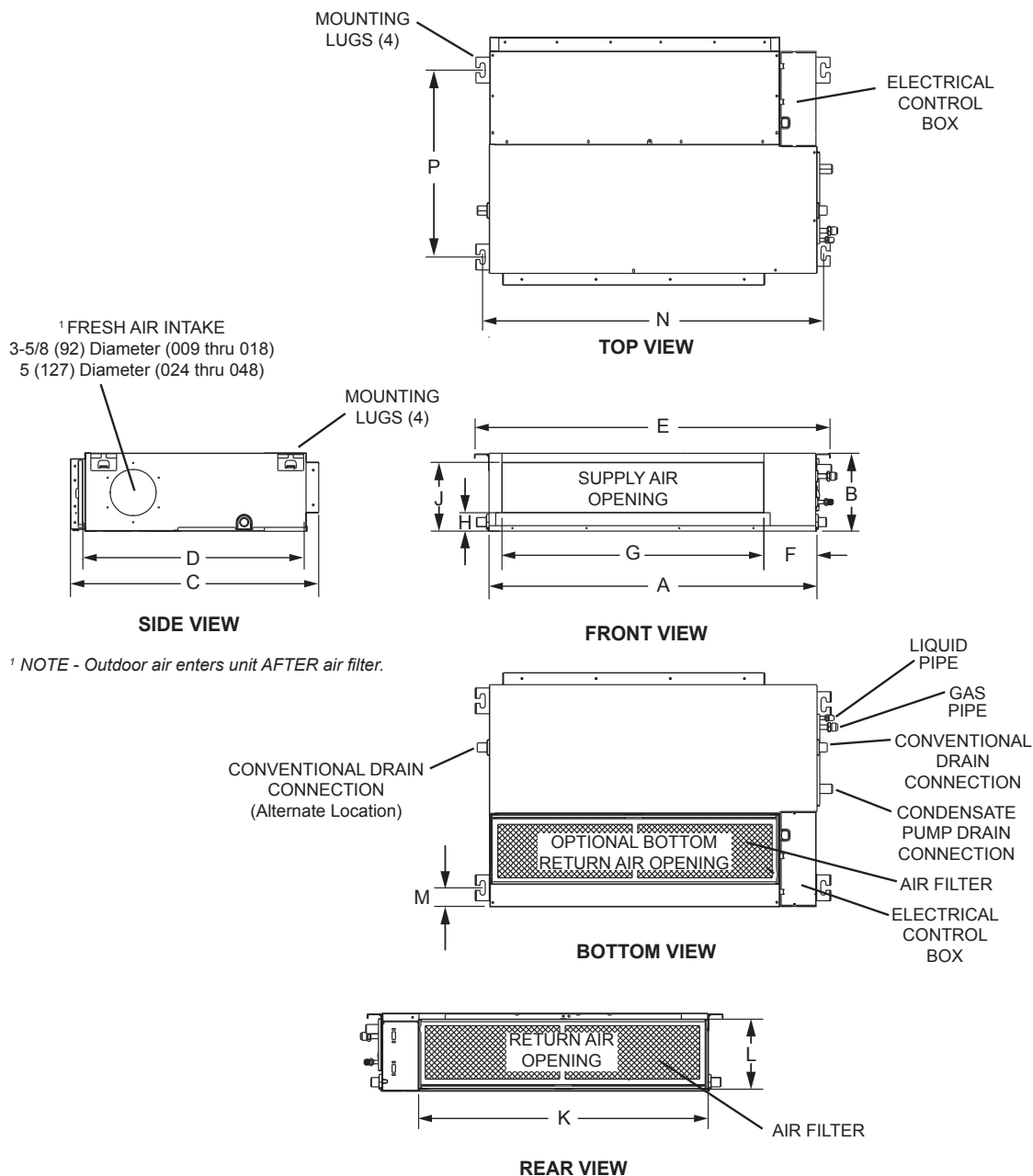


BOTTOM VIEW (Panel)

DIMENSIONS

MEDIUM STATIC DUCTED INDOOR UNITS

DMD209S4 | DMD212S4 | DMD218S4 | DMD224S4 | DMD236S4 | DMD248S4

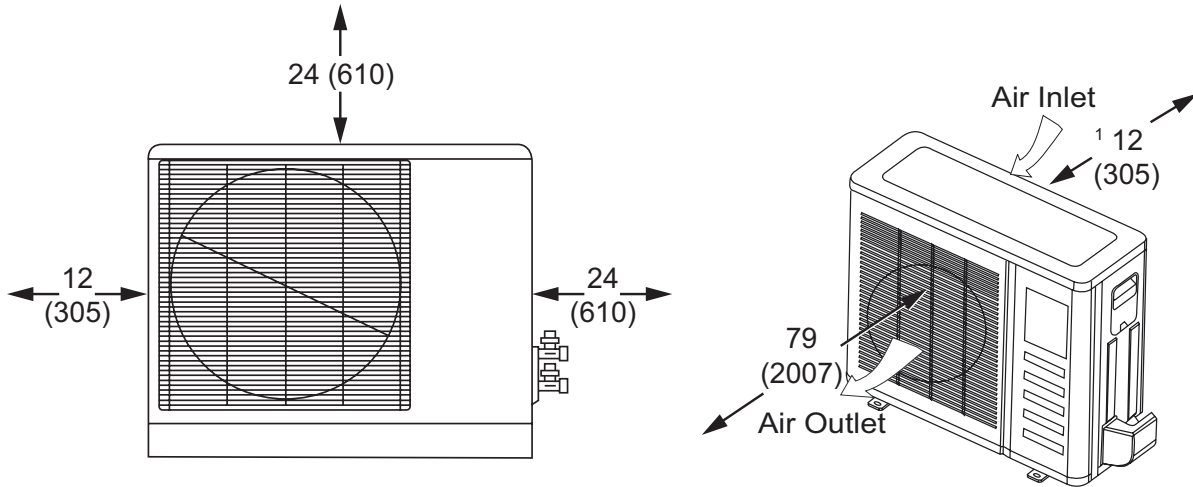


| Size | A | | B | | C | | D | | E | | F | | G | | H | |
|------------|--------|------|--------|-----|--------|-----|--------|-----|--------|------|-------|-----|--------|------|-------|----|
| | in. | mm | in. | mm | in. | mm | in. | mm | in. | mm | in. | mm | in. | mm | in. | mm |
| 09 thru 12 | 27-5/8 | 702 | 7-7/8 | 200 | 19-7/8 | 505 | 17-3/4 | 451 | 30-3/4 | 781 | 5-3/8 | 137 | 21-1/8 | 537 | 1-1/8 | 29 |
| 18 | 34-5/8 | 879 | 8-1/4 | 210 | 26-1/2 | 673 | 23-5/8 | 600 | 37-7/8 | 962 | 5-1/2 | 140 | 27-3/4 | 705 | 2 | 51 |
| 24 | 43-1/4 | 1099 | 9-3/4 | 248 | 30-1/2 | 775 | 27-1/2 | 699 | 46-1/2 | 1181 | 5-1/2 | 140 | 36-1/2 | 927 | 2 | 51 |
| 36 | 53-1/2 | 1359 | 9-3/4 | 249 | 30-1/2 | 775 | 27-1/2 | 699 | 56-3/4 | 1441 | 5-1/2 | 140 | 46-3/4 | 1187 | 2 | 51 |
| 48 | 47-1/4 | 1200 | 11-7/8 | 302 | 34-3/8 | 873 | 31-1/2 | 800 | 50-1/2 | 1283 | 4-7/8 | 124 | 41-1/8 | 1045 | 2 | 51 |

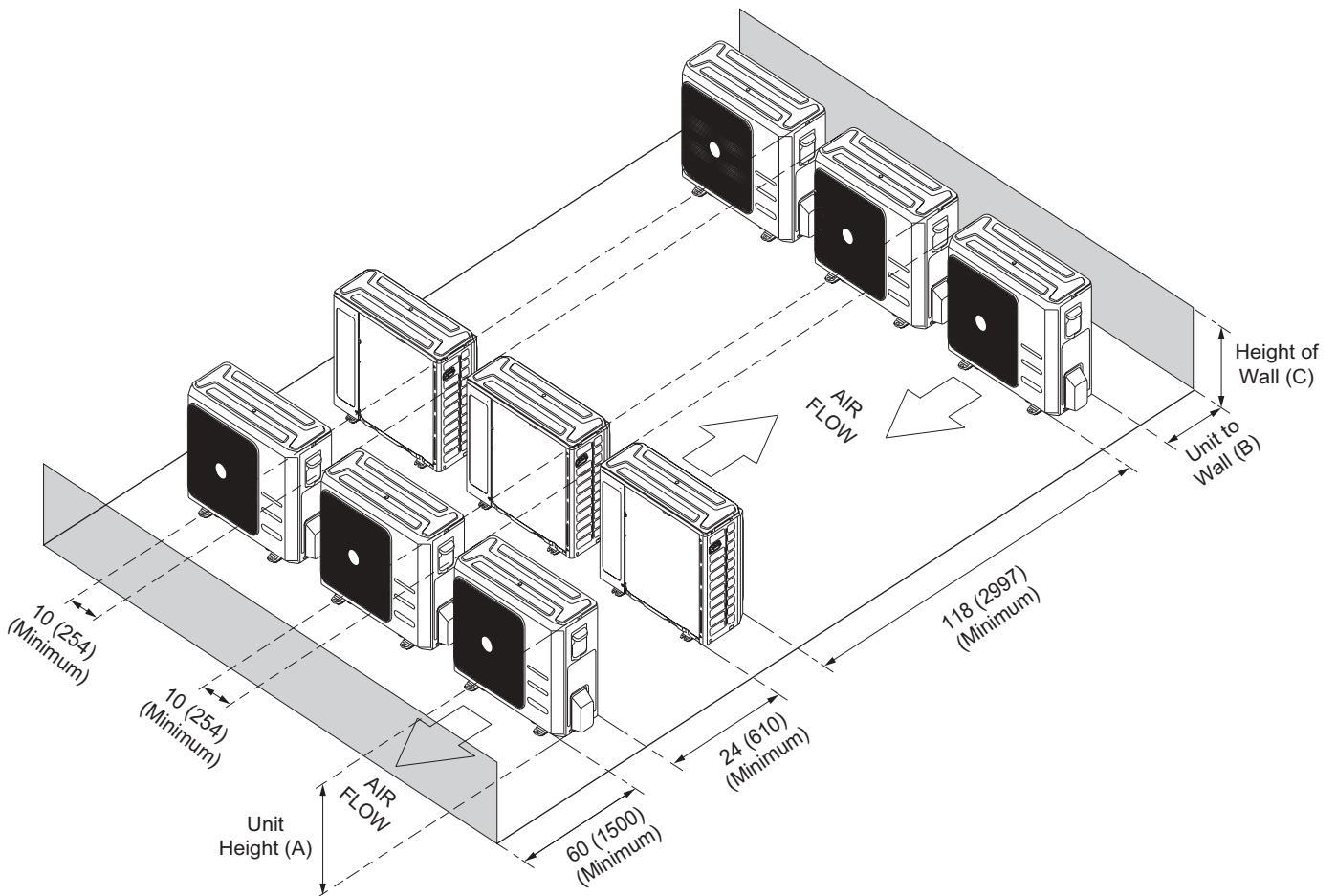
| Size | J | | K | | L | | M | | N | | P | |
|------------|-------|-----|--------|------|-------|-----|-------|----|--------|------|--------|-----|
| | in. | mm | in. | mm | in. | mm | in. | mm | in. | mm | in. | mm |
| 09 thru 12 | 6 | 152 | 23-5/8 | 600 | 7-3/8 | 187 | 2 | 51 | 29-1/8 | 740 | 14-1/8 | 359 |
| 18 | 5-3/8 | 137 | 30-3/4 | 781 | 7-1/2 | 191 | 1-5/8 | 41 | 36-1/4 | 921 | 20 | 508 |
| 24 | 6-7/8 | 175 | 39-3/8 | 1000 | 9 | 229 | 1/4 | 6 | 44-7/8 | 1140 | 23-1/2 | 597 |
| 36 | 6-7/8 | 175 | 49-5/8 | 1260 | 9 | 229 | 1/4 | 6 | 55-1/8 | 1400 | 23-1/2 | 597 |
| 48 | 9 | 229 | 43-3/8 | 1102 | 11 | 279 | 1/4 | 6 | 48-7/8 | 1241 | 27-1/2 | 699 |

INSTALLATION CLEARANCES

OUTDOOR UNITS



¹ Minimum rear clearance can be 6 inches (152 mm) when mounted on brackets and with no obstructions on the other three sides.



CLEARANCE NOTES FOR MULTIPLE UNITS:

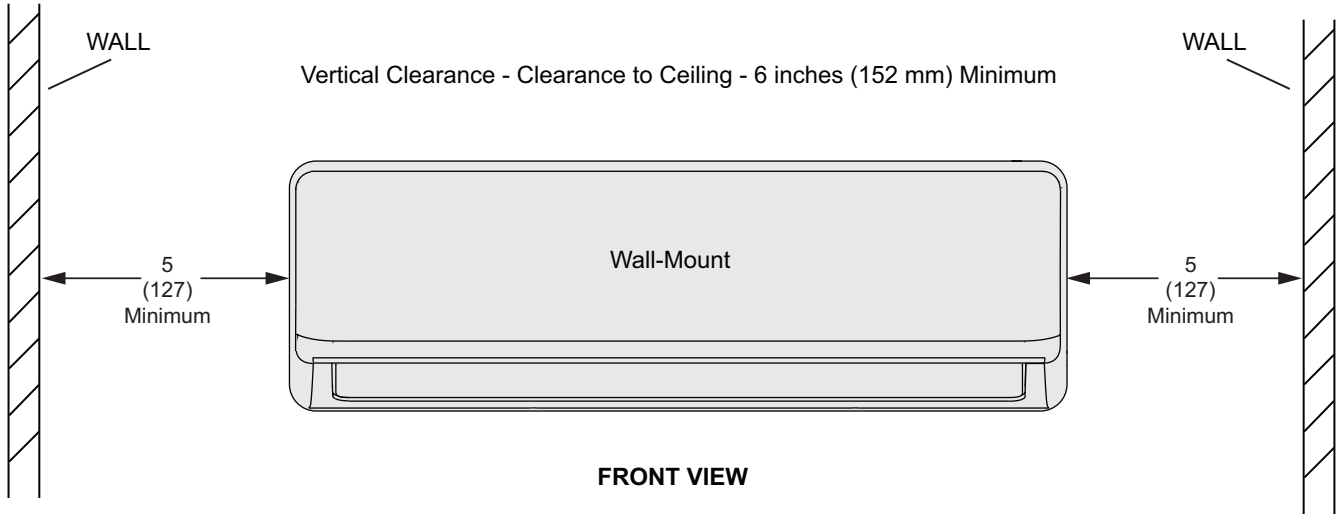
If the height of the wall (C) is less than or equal to the height of the smallest unit (A), the distance from the unit to the wall (B) must be a minimum of 10 inches (254 mm).

If 1/2 the height of the unit (A) is less than the height of the wall (C), the distance from the unit to the wall (B) must be a minimum of 12 inches (305 mm).

If the height of the wall (C) is greater than the height of the unit (A), the distance from the unit to the wall (B) must be a minimum of 20 inches (508 mm).

INSTALLATION CLEARANCES

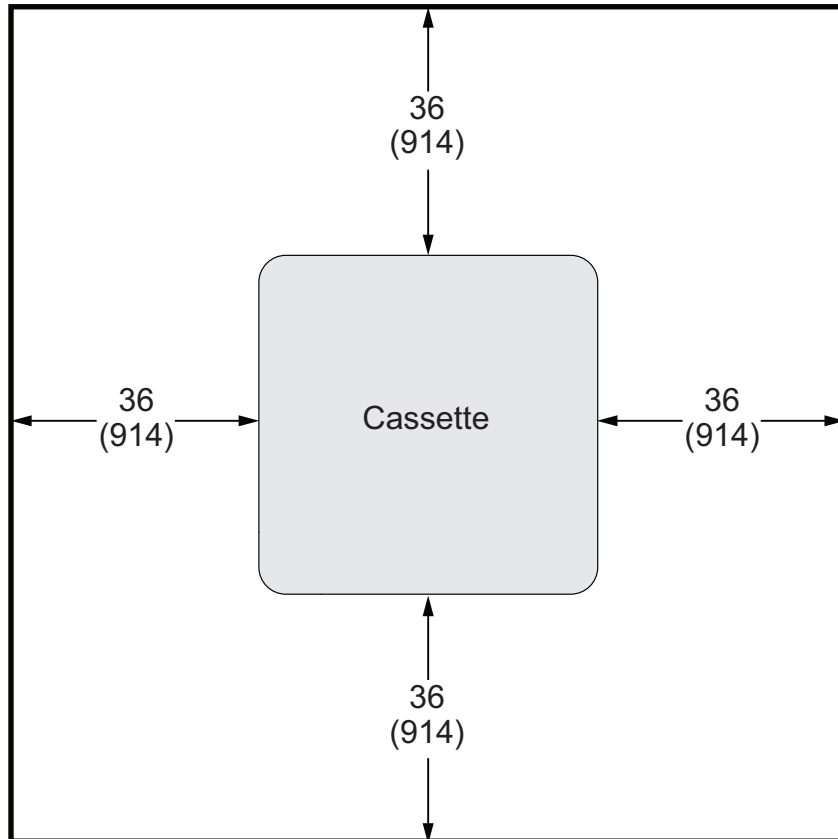
WALL-MOUNTED INDOOR UNITS



Vertical Clearance - Clearance to Floor - 72 inches (1829 mm) Minimum
 NOTE - Provide 96 inches (2438) clearance to floor for best performance

INSTALLATION CLEARANCES

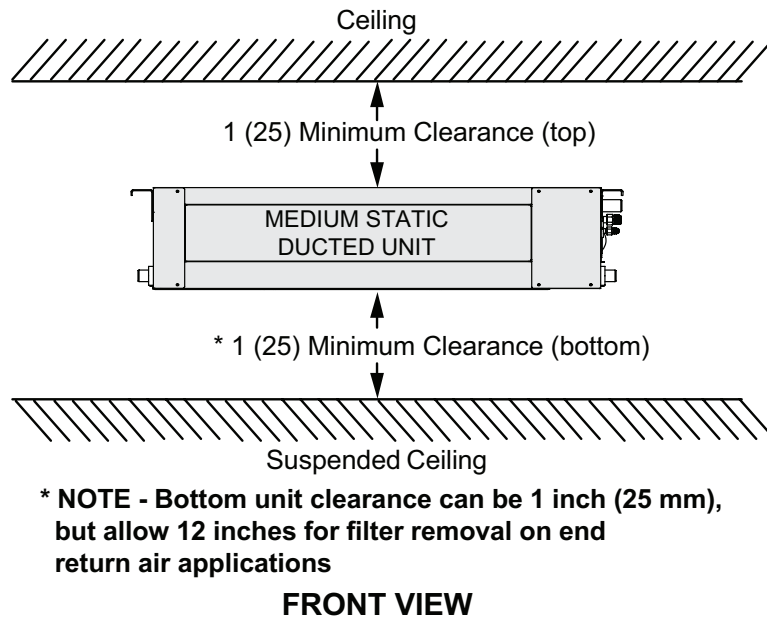
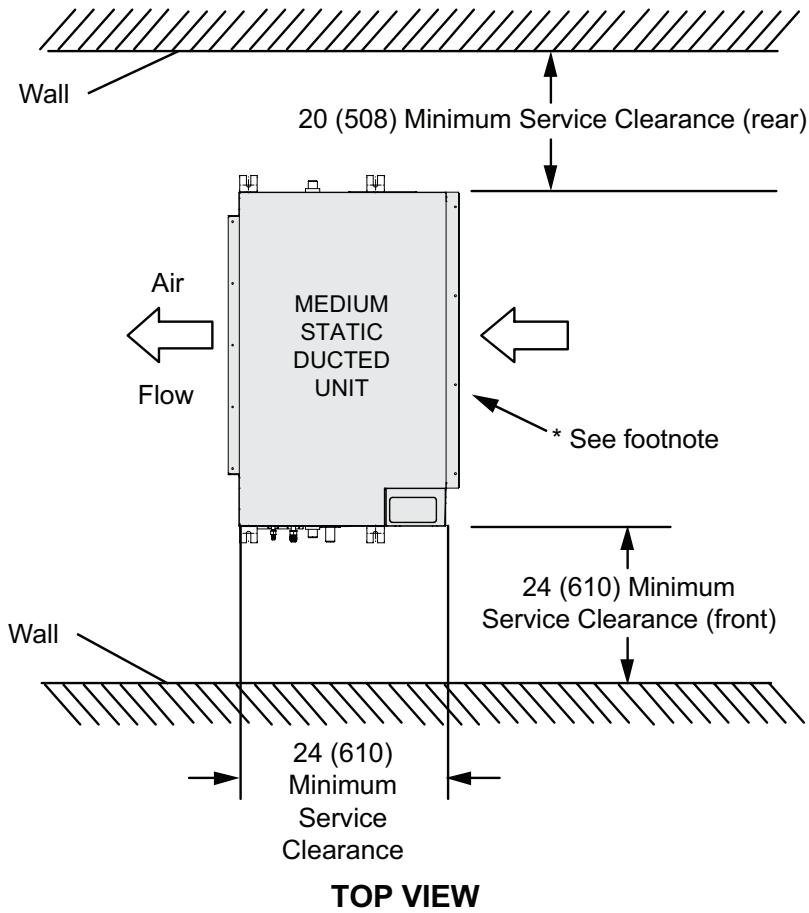
CASSETTE INDOOR UNITS



Minimum Vertical Clearances:
 Minimum Clearance from Structural Ceiling to Drop Ceiling - 10-1/4 inches (260 mm)
 Minimum Clearance to Floor - 98-1/2 inches (2500 mm)

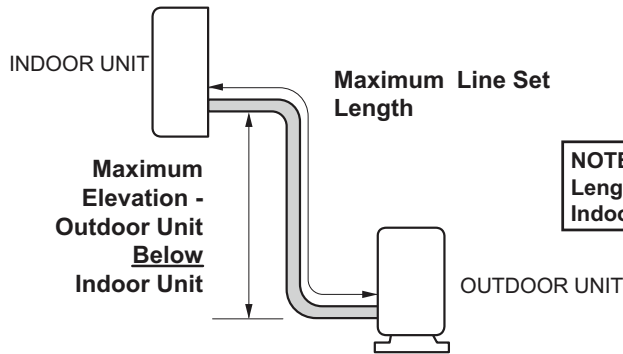
INSTALLATION CLEARANCES

MEDIUM STATIC DUCTED INDOOR UNITS

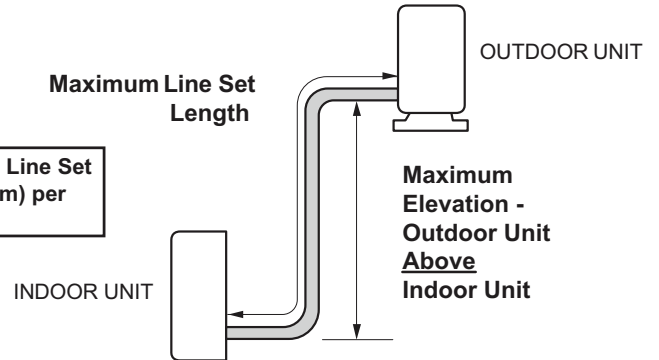


LINE SET AND ELEVATION GUIDELINES

Outdoor Unit BELOW Indoor Unit



Outdoor Unit ABOVE Indoor Unit



NOTE - Minimum Line Set Length - 10 ft. (3 m) per Indoor Unit

| Size | Line Set Diameters (in.) | | Maximum Elevation - Outdoor Unit <u>Below</u> Indoor Unit ft. (m) | Maximum Elevation - Outdoor Unit <u>Above</u> Indoor Unit ft. (m) | Maximum Line Set Length ft. (m) |
|--------|--------------------------|-----|--|--|------------------------------------|
| | Liquid | Gas | | | |
| 09 | 1/4 | 3/8 | 66 ft. (20 m) | 66 ft. (20 m) | 98 ft. (30 m) |
| 12 | 1/4 | 1/2 | 66 ft. (20 m) | 66 ft. (20 m) | 98 ft. (30 m) |
| 18 | 1/4 | 1/2 | 66 ft. (20 m) | 66 ft. (20 m) | 98 ft. (30 m) |
| 24, 30 | 3/8 | 5/8 | 82 ft. (25 m) | 82 ft. (25 m) | 164 ft. (50 m) |
| 36, 48 | 3/8 | 5/8 | 98 ft. (30 m) | 98 ft. (30 m) | 213 ft. (65 m) |



1-800-448-5872

All specifications and illustrations subject to change without notice and without incurring obligations.