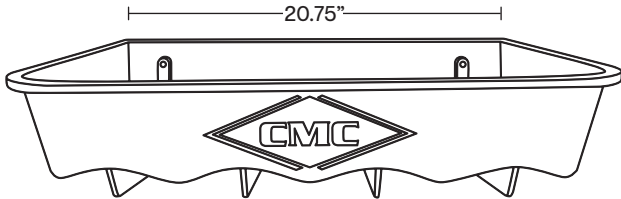




## Tankless Water Heater Drain Pan



The Safe T Pan Tankless Water Heater Drain Pan is designed for use with tankless water heaters. The Safe T Pan is made of a thick, strong, and durable High Density Polyethylene. The Safe T Pan has three drain outlet options for left, right or center drain connections. Safe T Pan will not rust or corrode, and offers a 3 year limited warranty. The Safe T Pan comes with 4 pre-drilled screw holes and 4 screws for mounting. The Safe T Pan is made in the USA.

### Features

- Durable H.D.P.E (High Density Polyethylene)
- Will not rust or corrode
- Four pre-drilled screw holes for mounting
- Selection of 3 drain outlets (use 1-3”/8” hole saw)
- Fits most tankless water heaters
- Made in the USA

### Included Components

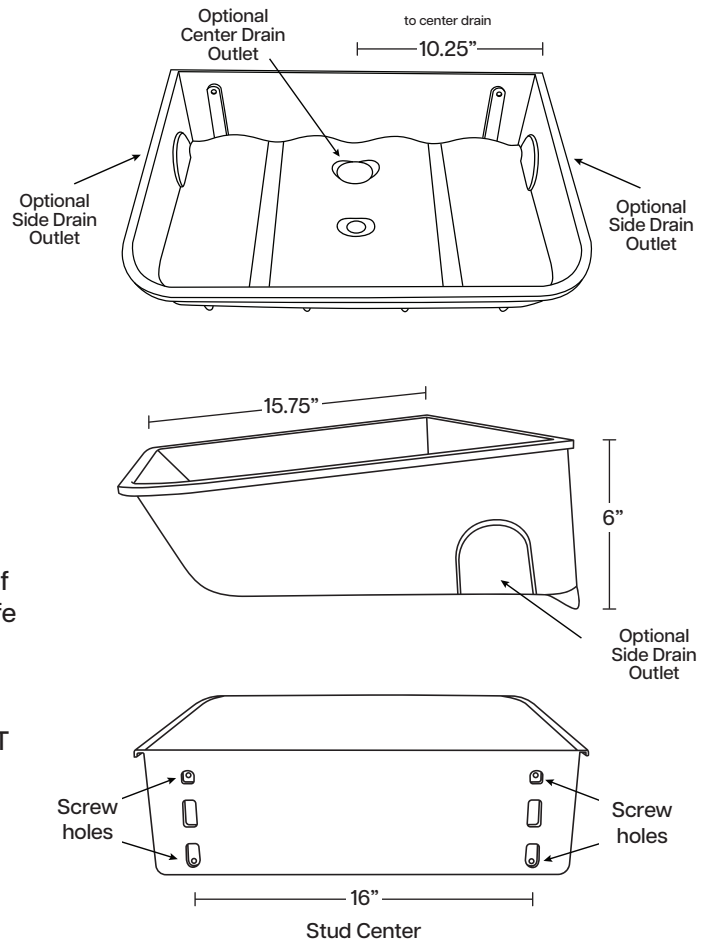
- Product Code: DPA-CPVC - 1”
- Product Code: DPA-PVC - 1” / 1-1/2”

### Notes

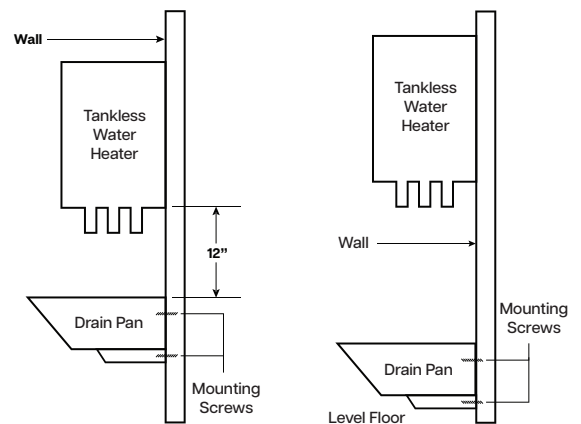
- Install this product according to installation instructions

### Warranty

- 3 year limited warranty



### Typical Installation



Wall Application

Floor Application

PRODUCT SUBMITTAL	
JOB NAME	
DATE	
ARCHITECT/ENGINEER	
CONTRACTOR	
TAG	
NOTES	

PRODUCT CODE	CARTON
TWHDP	1 BOX (6 UNITS)
TWHDP-1	1 UNIT