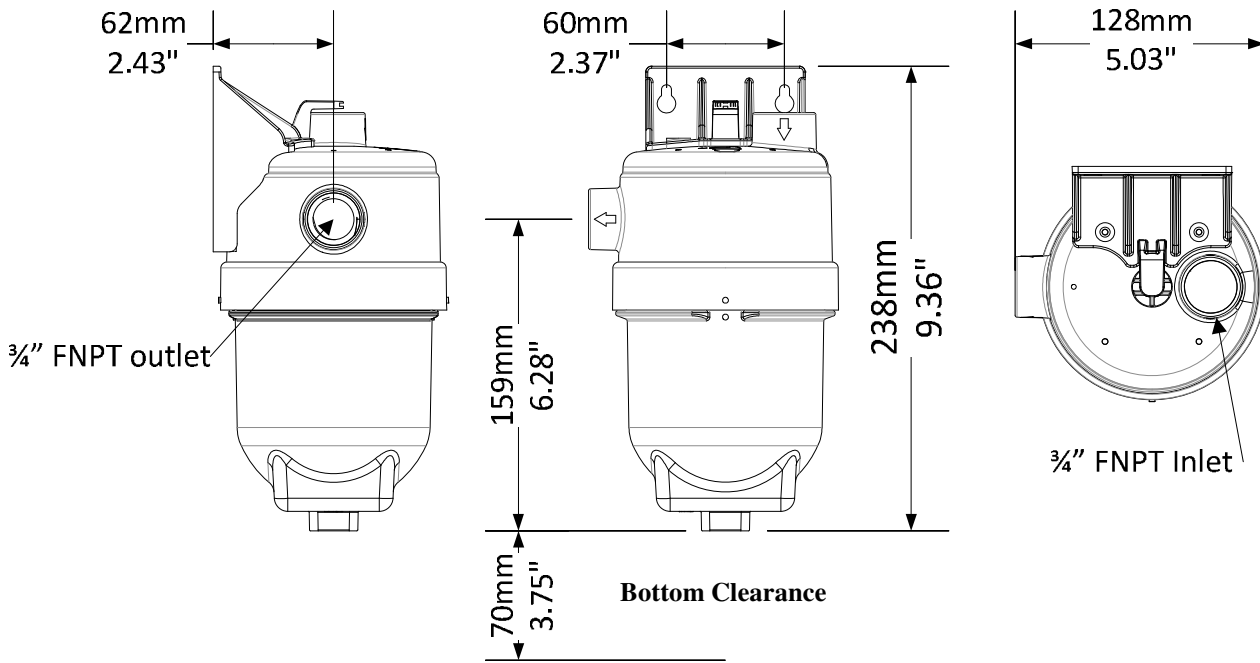




**Specification:**

**AXIOM Industries Condensate Neutralizer: NC-1W**

The wall hung condensate neutralization capsule shall be AXIOM INDUSTRIES LTD. model NC-1W. System shall include 1 litre (0.26 U.S. gallon) transparent capsule w/ integral by-pass overflow baffle wall made from corrosion resistant materials with one 4" fill/access openings, 3/4"-14FNPT threaded inlet, 3/4"-14FNPT threaded outlet, wall mounting bracket, .Polyurethane float, and Neodymium magnet. Comes with 1kg (2.4lbs) of Axiom's Liphter+ neutralization media.



**Weight** – 1.7 kg, 3.7 lbs.

**Option**

NM-1 – Replacement *LipHter+* neutralization media