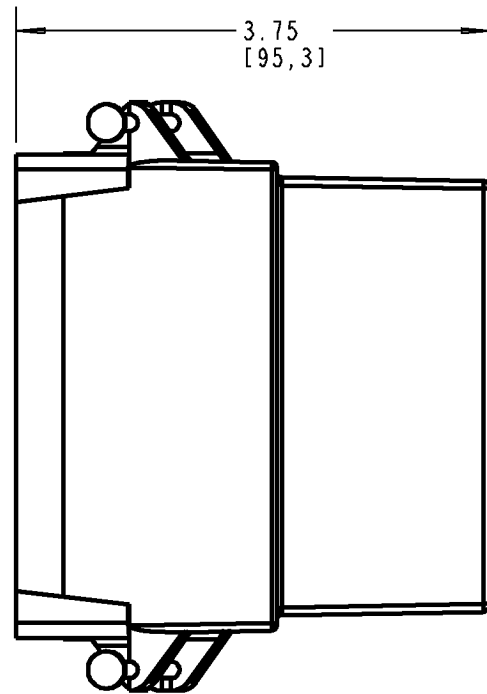
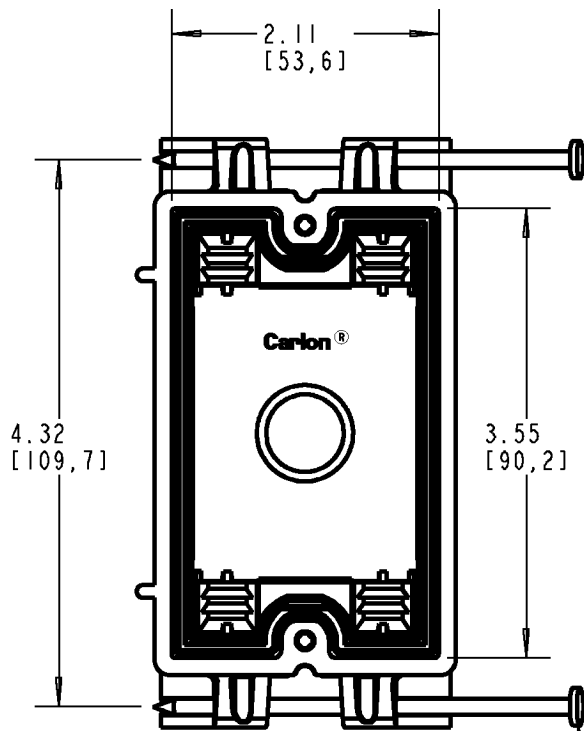
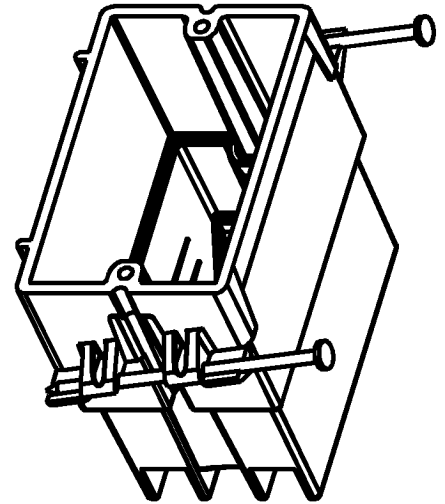


Carlton®



WIRE GA. / CONDUCTORS

11 / 14
9 / 12
8 / 10

NAILS
P/N G310

P/N BH122A-UPC

GENERAL NOTES

1. ALL DIMENSIONS ARE FOR REFERENCE ONLY.
2. DIMENSIONS IN BRACKETS [] ARE IN METRIC UNITS.

REVISIONS

*** SEE ERN (****) FOR APPROVAL SIGNATURES & RELEASE DATE.
PROJECT NO: ****

Thomas & Betts
www.tnb.com

DESCRIPTION: **1 GANG SUPER BLUE DEVICE BOX
22 CU. IN. VOL.**

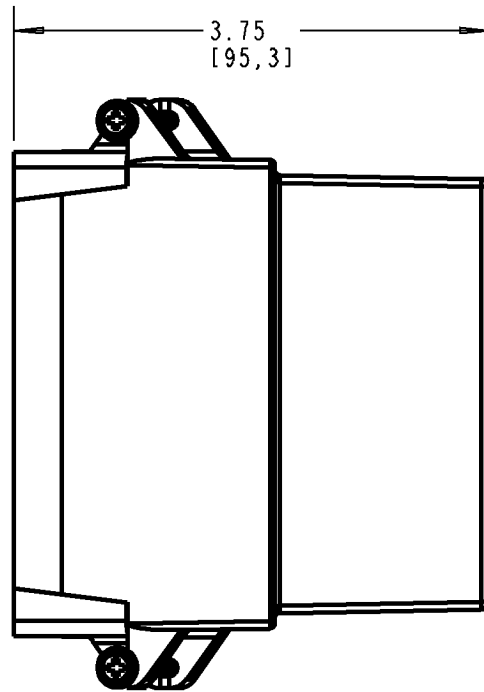
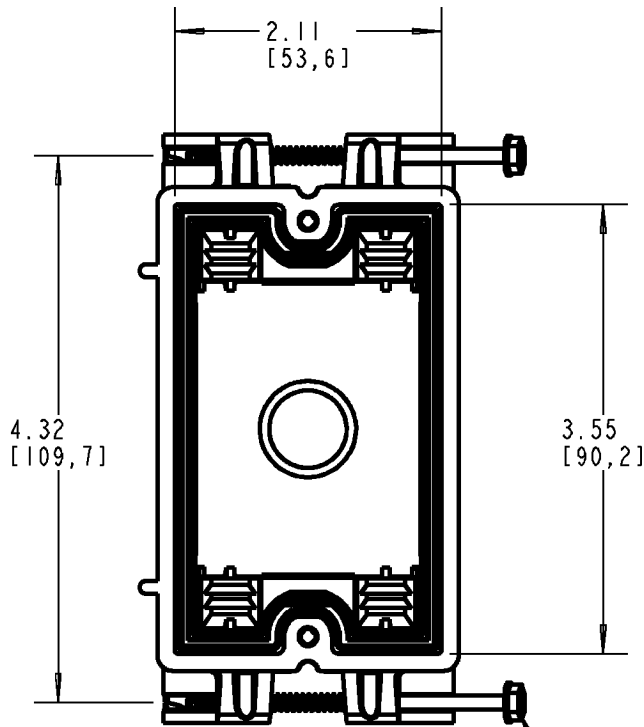
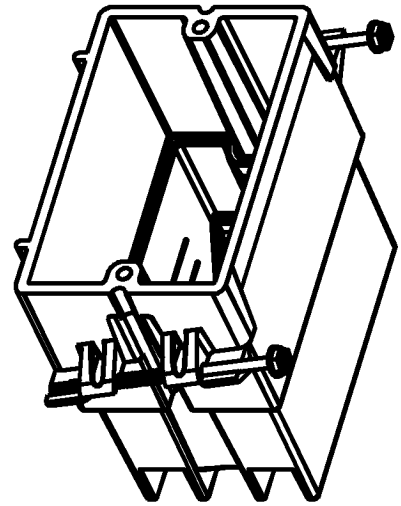
ORIGINAL PROJECT NO / (ERN NO)
/ ()

SHEET NO:
1 OF 2

REV. NO:
A

DRAWING NO:
WSD-AC04319

Carlton®



WIRE GA. / CONDUCTORS
 11 / 14
 9 / 12
 8 / 10

SCREWS
 P/N G310S

P/N BH122S

Thomas & Betts
 www.tnb.com

DESCRIPTION: **1 GANG SUPER BLUE DEVICE BOX**
22 CU. IN. VOL.

SHEET NO:
2 OF 2

REV. NO:
A

DRAWING NO:
WSD-AC04319