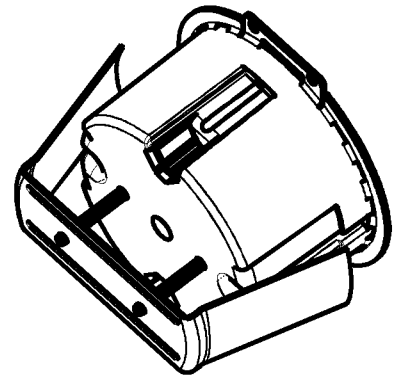
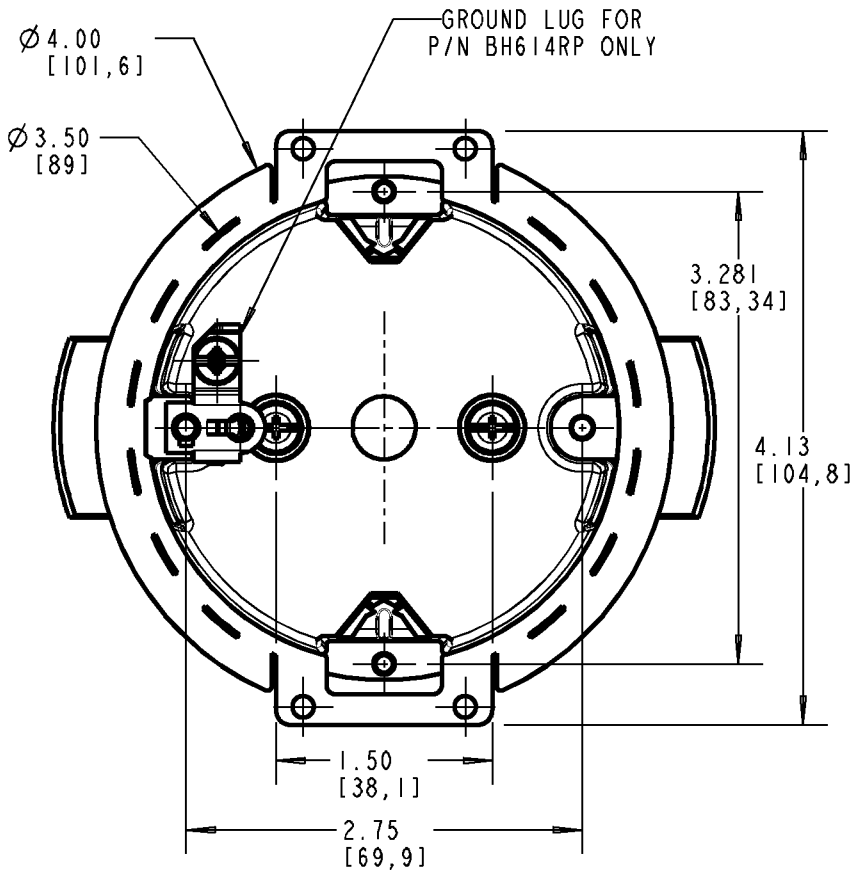
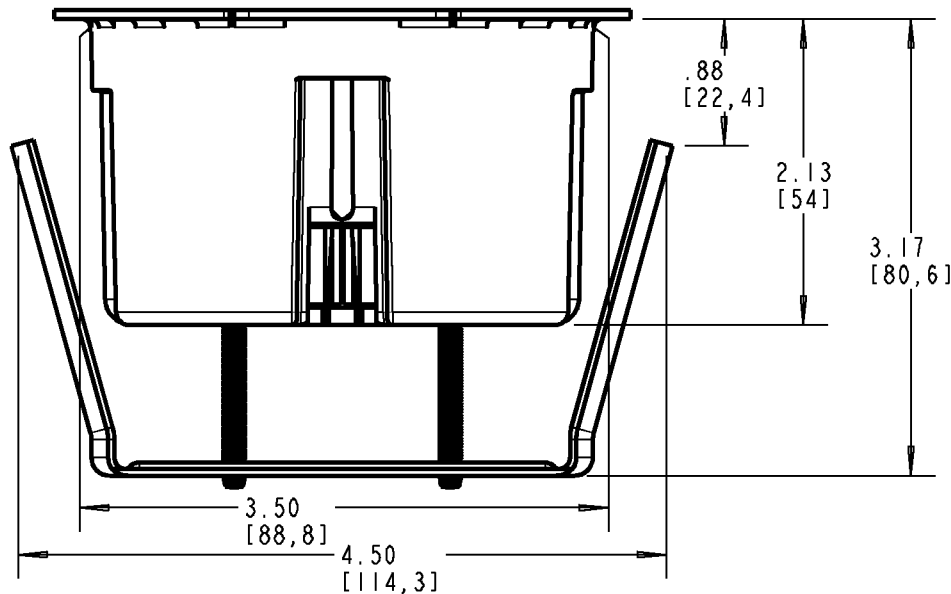


Carlton®



WARNING!

- * SOLVENTS CANNOT BE APPLIED TO ANY POLYCARBONATE ELECTRICAL BOXES.
- * DO NOT SPRAY PAINT POLYCARBONATE ELECTRICAL BOXES WITH ANY SOLVENT-BASED PAINT.
- * DO NOT SPRAY PAINT POLYCARBONATE ELECTRICAL BOXES WITH SPRAY PAINT APPLICATION WHICH INCLUDES ANY SOLVENT.



P/N
BH614R
BH614RP

GENERAL NOTES

1. ALL DIMENSIONS ARE FOR REFERENCE ONLY.
2. DIMENSIONS IN BRACKETS [] ARE IN METRIC UNITS.

REVISIONS

D SEE ERN 2016537 FOR APPROVAL SIGNATURES & RELEASE DATE.
PROJECT NO: NM400330

Thomas & Betts
www.tnb.com

DESCRIPTION:

**SUPER BLUE OLD WORK
CEILING BOX - 3"**

ORIGINAL PROJECT NO / (ERN NO)

/ ()

SHEET NO:

1 OF 1

REV. NO:

D

DRAWING NO:

WSD-AC04815