

# TotalFit plugs

## Project information

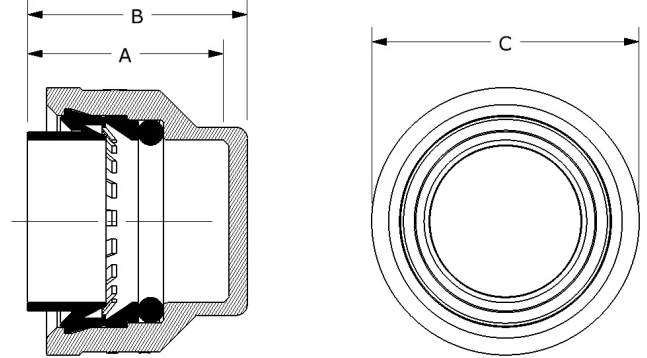
Job name:	Location:
Engineer:	Date submitted:
Contractor:	Submitted by:
Manufacturer's representative:	Approved by:

## Technical data

Material	Engineered Polymer
Temp/pressure ratings	73 °F (23 °C) at 160 psi (11 bar) 180 °F (82 °C) at 100 psi (6.9 bar) 200 °F (93 °C) at 80 psi (5.5 bar)
Prop 65 label required?	No

## Product information and application use

TotalFit™ is the professional-grade engineered polymer (EP) push-to-connect solution that provides greater value for residential projects with the same versatility and speed as brass push-to-connect fittings for PEX, PE-RT, CPVC, and copper piping systems.



Part name	Part no.	A [inch]	B [inch]	C [inch]	Weight per UOM [lbs/UOM]
TotalFit Plug, 1/2	TF4350500	0.913	1.02	1.13	0.02
TotalFit Plug, 3/4	TF4350750	1.067	1.197	1.457	0.04
TotalFit Plug, 1	TF4351000	1.134	1.269	1.76	0.06

Part name	Part no.	Codes	Standards	Listings
TotalFit plugs	All	UPC IRC IPC NPC of Canada UMC CMC CPC IMC	NSF-372 ASTM F877 NSF-61 NSF-14 ASSE 1061	K-13573 K-13571 K-13572

## Installation

Install on PEX, PE-RT, CPVC, and copper piping systems. Use deburr and depth tool to remove excess material or burrs and mark the appropriate depth on pipe. If using flexible PEX or PE-RT, install the insert inside the pipe first before making the connection. Refer to the Uponor TotalFit Instruction Sheet for additional information.

## Related applications

- Plumbing
- Hydronic Heating & Cooling

## Footnotes

## Contact information

Uponor Inc.  
5925 148th Street West  
Apple Valley, MN 55124  
T 800.321.4739  
F 952.891.2008

Uponor Ltd.  
6510 Kennedy Road  
Mississauga, ON L5T 2X4  
T 888.594.7726  
F 800.638.9517