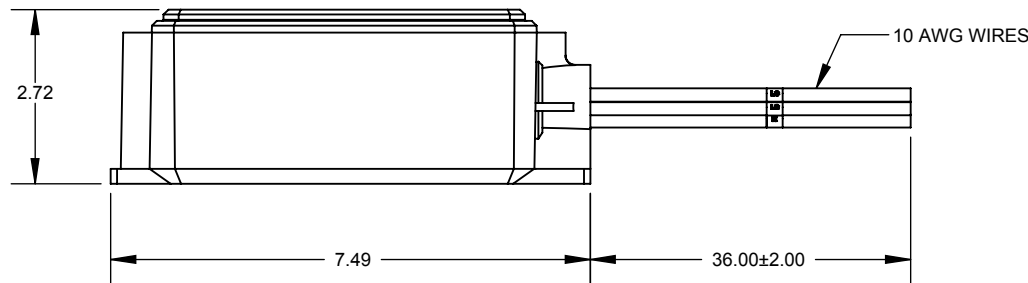
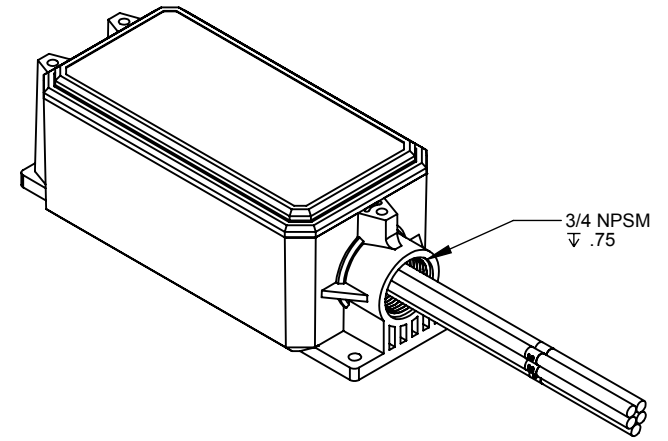
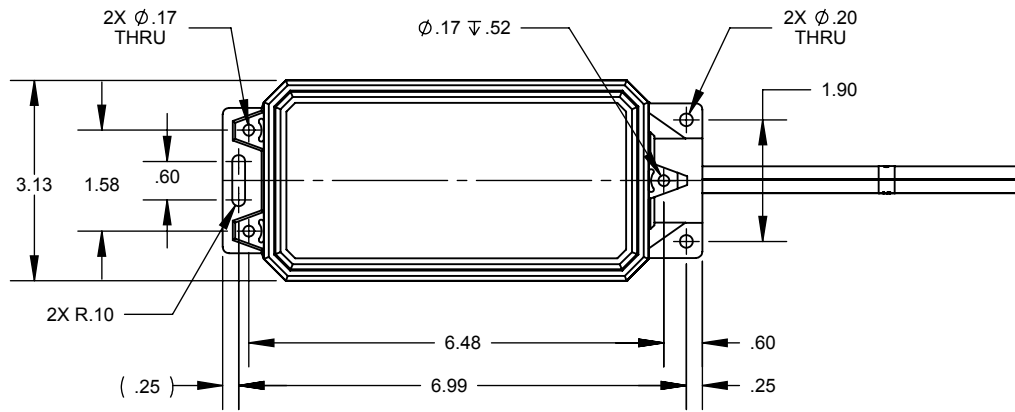


REV.	DATE	ECO	DESCRIPTION	BY	CK	APP
-	1/18/2016	N/A	INITIAL RELEASE	JRB	N/A	N/A



DIMENSIONS IN [] ARE MILLIMETERS



MERSEN USA NEWBURYPORT-MA, LLC
374 MERRIMAC STREET
NEWBURYPORT, MA 01950

PRODUCT MANAGER

SIGN: R. LYONS

DATE: 2/23/16

DESIGN ENGINEER

SIGN: C. MCKENZIE

DATE: 2/23/16

STXP Series
Surge-Trap® SPD Type 1

OUTLINE DIMENSIONS
NOT TO BE USED FOR PRODUCTION

702102