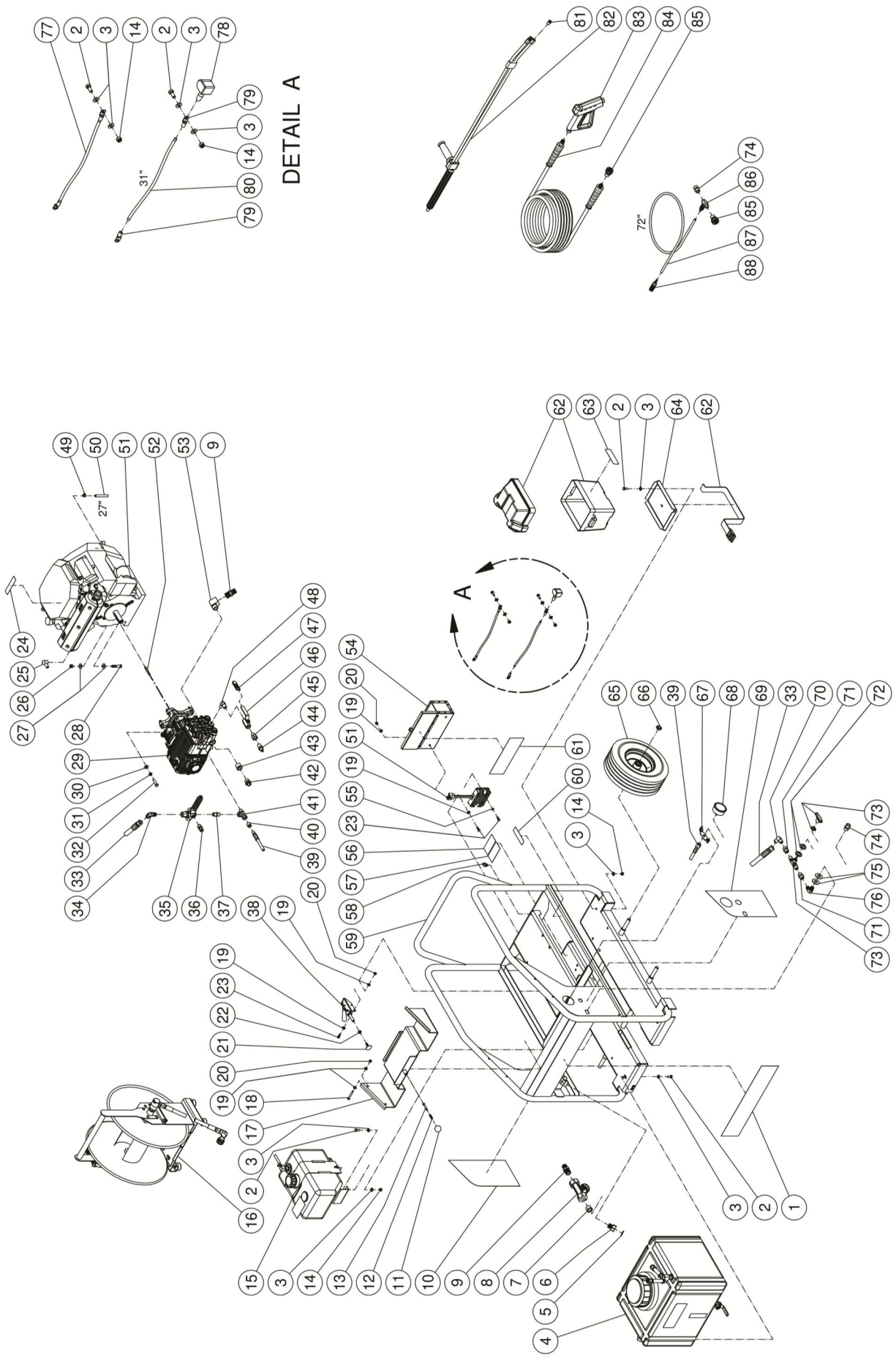
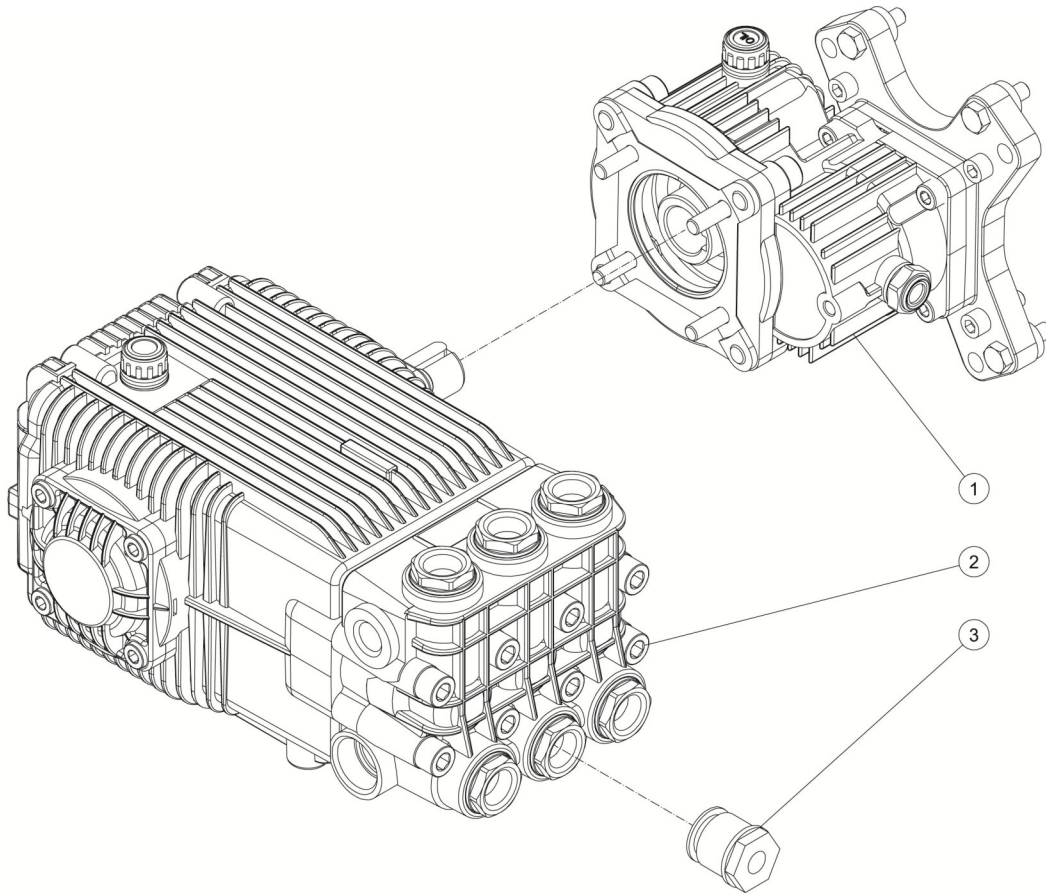


JM-3080 PARTS LIST

ITEM	DESCRIPTION	PART #	QTY	ITEM	DESCRIPTION	PART #	QTY
1	DECAL - JM-3080 FRONT PANEL (SEE JM71-0004)	N/A	1	46	BALL VALVE	JM22-0494	1
2	BOLT	JM27-0066	10	47	HANDLE GRIP	JM7-0227	1
3	WASHER	JM28-0003	18	48	ELBOW	JM24-0118	1
4	WATER TANK ASSY	WATER TANK ASSY	1	49	CLAMP WORM	JM42-0004	1
5	GARDEN HOSE GASKET	JM26-0001	1	50	FUEL HOSE *(THREE FEET REQUIRED)	JM15-0008	1
6	SWIVEL	JM23-0095	1	51	ENGINE ASSY	JM851-0385	1
7	BUSHING	JM23-0023	1	52	KEY	JM43-0078	1
8	INLET FILTER	JM19-0238	1	53	ELBOW	JM23-0081	1
9	NIPPLE	JM23-0362	2	54	COMPONENT TOOL BOX	JM20-1213A64	1
10	DECAL - JM-3080 SIDE PANEL (SEE JM71-0004)	N/A	1	55	LOCKWASHER	JM29-0006	2
11	BALL KNOB	JM7-0223	1	56	DECAL- SILVER STICKER	N/A	1
12	SPRING	JM49-0165	1	57	DECAL- EPA ONLY	N/A	1
13	SHOULDER SCREW	JM27-0895	1	58	HOSE CLAMP	JM33-0510	1
14	LOCKNUT	JM30-0157	8	59	FRAME - LG JETTER	JM5-0307A64	1
15	FUEL TANK ASSY	FUEL TANK ASSY	1	60	DECAL - WARNING RISK OF BURNS (SEE JM71-0004)	N/A	1
16	HOSE REEL	JM851-0390	1	61	DECAL - WARNING/OPERATION (SEE JM71-0004)	N/A	1
17	HOSE REEL BRACKET ASSY	JM20-1275A64	1	62	BATTERY BOX	JM33-0092	1
18	BOLT	JM27-0020	4	63	DECAL - RISK OF INJURY (SEE JM71-0004)	N/A	1
19	WASHER	JM28-0002	16	64	BATTERY RETAINER	JM20-0264A01	1
20	LOCKNUT	JM30-0155	8	65	WHEEL	JM14-0150	4
21	BOLT	JM27-9550	1	66	LOCKNUT	JM30-0117	4
22	NUT	JM30-0004	1	67	U CLAMP	JM13-0211	1
23	BOLT	JM27-0015	6	68	PRESSURE GAUGE	JM22-0465	1
24	DECAL - RISK OF BURNS (SEE JM71-0004)	N/A	1	69	DECAL - JM-3080 CONTROL PANEL (SEE JM71-0004)	N/A	1
25	TERMINAL PROTECTOR	JM33-0508	1	70	ELBOW	JM23-0426	1
26	LOCKNUT	JM30-0159	4	71	COUPLER	JM23-0077	2
27	WASHER	JM28-0023	8	72	WASHER	JM28-0051	2
28	BOLT	JM27-0121	4	73	BALL VALVE	JM22-0462	1
29	PUMP - 3-0300 W/GEARBOX	JM3-0368	1	74	SCREW NIPPLE	JM23-0494	2
30	WASHER	JM28-0022	4	75	WASHER	JM28-0050	4
31	LOCKWASHER	JM29-0008	4	76	ELBOW	JM24-0131	1
32	BOLT	JM27-0119	4	77	CABLE	JM32-9113	1
33	HIGH PRESSURE HOSE	JM15-0254	1	78	BATTERY CABLE COVER	JM33-0004	1
34	ELBOW	JM24-0092	1	79	TERMINAL RING	JM32-0097	2
35	UNLOADER	JM8-0634	1	80	CABLE *(THREE FEET REQUIRED)	JM32-0065	1
36	NIPPLE	JM23-0259	1	81	NOZZLE	JM18-0173	1
37	NIPPLE	JM24-0010	1	82	DUAL LANCE	JM16-0417	1
38	PUSH/PULL TOGGLE CLAMP	JM33-0400	1	83	GUN	JM16-0001	1
39	HIGH PRESSURE HOSE	JM15-0310	1	84	HOSE	JM15-0146	1
40	REDUCER	JM23-0017	1	85	SCREW COUPLER	JM23-0490	2
41	STREET TEE	JM23-0058	1	86	CHEMICAL INJECTOR	JM50-0052	1
42	RELIEF VALVE	JM22-0005	1	87	DETERGENT HOSE *(SIX FEET RE- QUIRED)	JM15-0021	1
43	REDUCER FITTING	JM24-0308	1	88	STRAINER	JM19-0050	1
44	NIPPLE	JM23-0361	1	-	DECAL SET - JM-3080-0AH	JM71-0004	1
45	REDUCER	JM23-0243	1		*MUST ORDER IN ONE FOOT LENGTHS		





JM-3080 PUMP/GEARBOX PARTS LIST

ITEM	DESCRIPTION	PART #	QTY
1	GEARBOX	JM47-0031	1
2	PUMP	JM3-0300	1
3	VALVE CAP	JM46-1430	1

DATE
08/05/2015

SERIAL # BREAK
28003283

REASON FOR CHANGE
Unloader change, Ball Valve Change

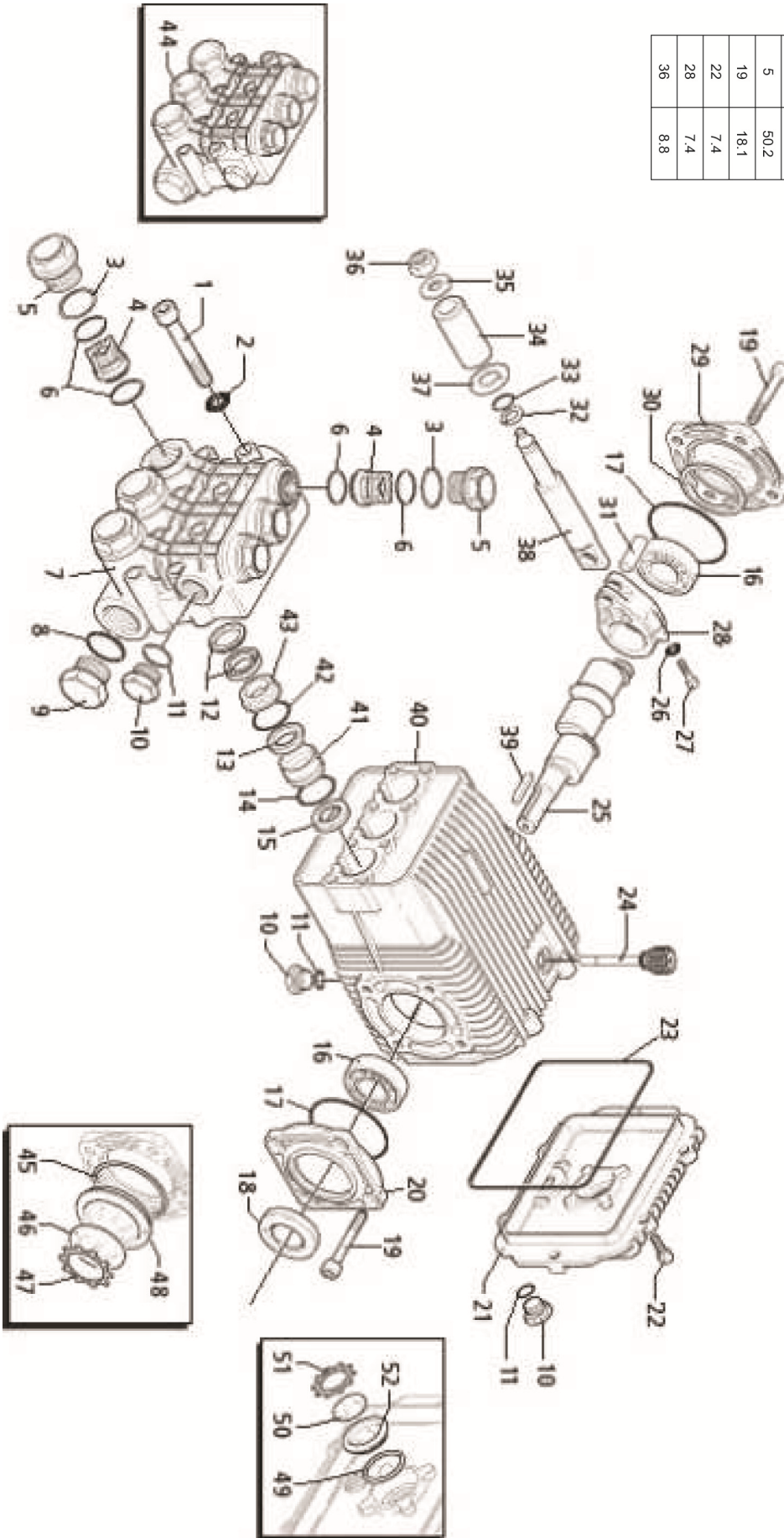
JM-3080 PUMP ASSEMBLY PARTS LIST
(Drawing on next page)

ITEM	DESCRIPTION	PART #	QTY	ITEM DESCRIPTION	PART #	QTY
1	HEAD BOLT	JM27-8470	8	29 SIDE COVER W/ SIGHT GLASS	JM46-0918	1
2	WASHER	JM29-0155	8	30 SHIM	JM46-0947	1-3
3	O-RING	JM25-0647	6	- SHIM	JM46-0948	1-3
4	COMPLETE VALVE (SEE KIT 70-0584)	SEE KIT	6	- SHIM	JM46-0949	1-3
5	VALVE CAP	JM39-0242	6	- SHIM	JM46-0950	1-3
6	O-RING (SEE KIT 70-0584)	JM25-0370	12	31 PISTON PIN	JM46-0914	3
7	PUMP HEAD	JM46-1463	1	32 RING (SEE KIT 70-0589)	SEE KIT	3
8	O-RING	JM25-0648	1	33 O-RING (SEE KIT 70-0589)	JM25-0393	3
9	PLUG	JM39-0243	1	34 PISTON (SEE KIT 70-0589)	JM46-1581	3
10	PLUG	JM39-0203	3	35 WASHER - COPPER (SEE KIT 70-0589)	JM46-1585	3
11	O-RING	JM25-0510	3	36 NUT (106 IN/LBS) (SEE KIT 70-0589)	SEE KIT	3
12	HIGH PRESSURE PACKING W/ RING (SEE KIT 70-0585)	JM46-1578	3	37 SLINGER (SEE KIT 70-0589)	JM28-1065	3
13	LOW PRESS SEAL (SEE KIT 70-0585)	JM46-1579	3	38 GUIDING PISTON	JM46-1464	3
14	O-RING (SEE KIT 70-0585)	JM25-0511	3	39 KEY	JM43-0091	1
15	OIL SEAL (SEE KIT 70-0586)	JM26-0242	3	40 PUMP HOUSING	JM46-0911	1
16	BEARING TAPERED ROLLER	JM48-0073	2	41 REAR PISTON GUIDE (SEE KIT 70-0587)	JM46-1582	3
17	O-RING (SEE KIT 70-0586)	JM25-0512	2	42 SLIT O-RING (SEE KIT 70-0585)	JM25-0680	3
18	OIL SEAL (SEE KIT 70-0586)	JM26-0243	1	43 FRONT PISTON GUIDE (SEE KIT 70-0587)	JM46-1583	3
19	BOLT (217 IN/LBS)	JM27-8884	8	44 PUMP HEAD	JM46-1584	1
20	OPEN BEARING SUPPORT	JM46-0909	1	45 O-RING	JM25-0514	1
21	COMPLETE COVER	JM46-0912	1	46 CONTRAST DISC	JM46-0925	1
22	BOLT (89 IN/LBS)	JM27-8888	6	47 SPRING RETAINER - OIL SIGHT GLASS	JM46-0924	1
23	O-RING (SEE KIT 70-0586)	JM25-0513	1	48 OIL SIGHT GLASS	JM46-0926	1
24	VENTED OIL CAP	JM39-0204	1	49 O-RING	JM25-0370	1
25	CRANKSHAFT	JM46-1580	1	50 CONTRAST DISC	JM46-0824	1
26	LOCKWASHER	JM29-0153	6	51 SNAP RING	JM46-0671	1
27	BOLT	JM27-9003	6	52 OIL SIGHT GLASS	JM46-0670	1
28	CON-ROD	JM46-0913	3			

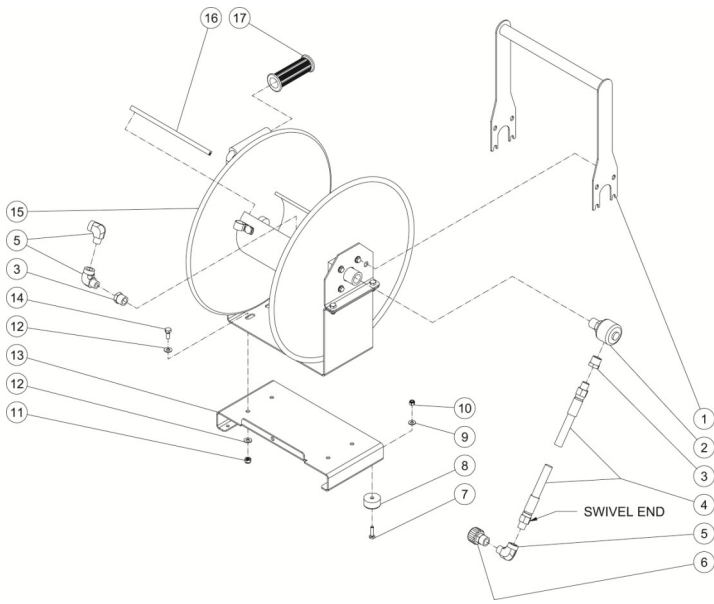
REPLACEMENT KITS

KIT #	DESCRIPTION	ITEMS	# OF ASSEMBLIES	# OF CYLINDERS
JM70-0584	VALVES	4, 6	1	3
JM70-0585	WATER SEALS	12, 13, 14, 42	1	3
JM70-0586	OIL SEALS	15, 17, 18, 23	1	3
JM70-0587	PISTON GUIDES	41, 43	1	3
JM70-0589	PISTONS	32, 33, 34, 35, 36, 37	1	3

TORQUE SPECS	
ITEM	FT/LBS
1	36.8
5	50.2
19	18.1
22	7.4
28	7.4
36	8.8

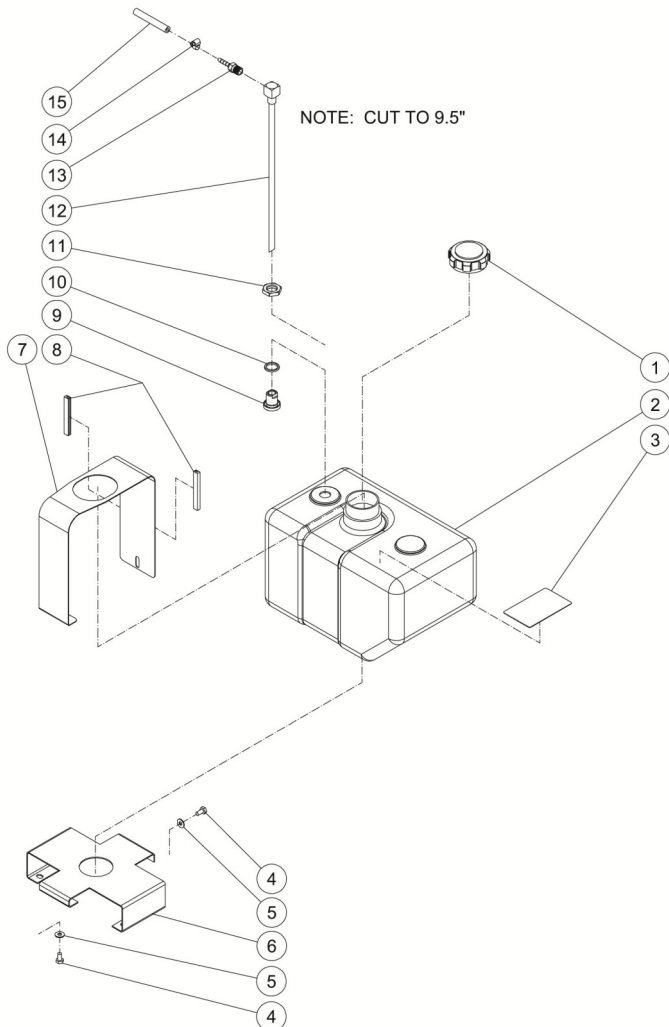


JM-3080 HOSE REEL PARTS LIST



ITEM	DESCRIPTION	PART #	QTY
1	HANDLE	JM7-0229A01	1
2	1/2" SWIVEL	JM24-0336	1
3	REDUCER	JM24-0282	2
4	HOSE	JM15-0311	1
5	ELBOW	JM24-0105	3
6	SCREW CONNECT	JM23-0490	1
7	SCREW	JM27-0016	4
8	ISOLATOR	JM14-0069	4
9	WASHER	JM28-0002	4
10	LOCKNUT	JM30-0155	4
11	LOCKNUT	JM30-0157	4
12	WASHER	JM28-0003	8
13	HOSE REEL STAND	JM20-1221A01	1
14	BOLT	JM27-0066	4
15	HOSE REEL - 18"	JM50-0192	1
16	EDGING *(ONE FOOT REQUIRED)	JM33-0020	2
17	HANDLE GRIP	JM7-0167	1

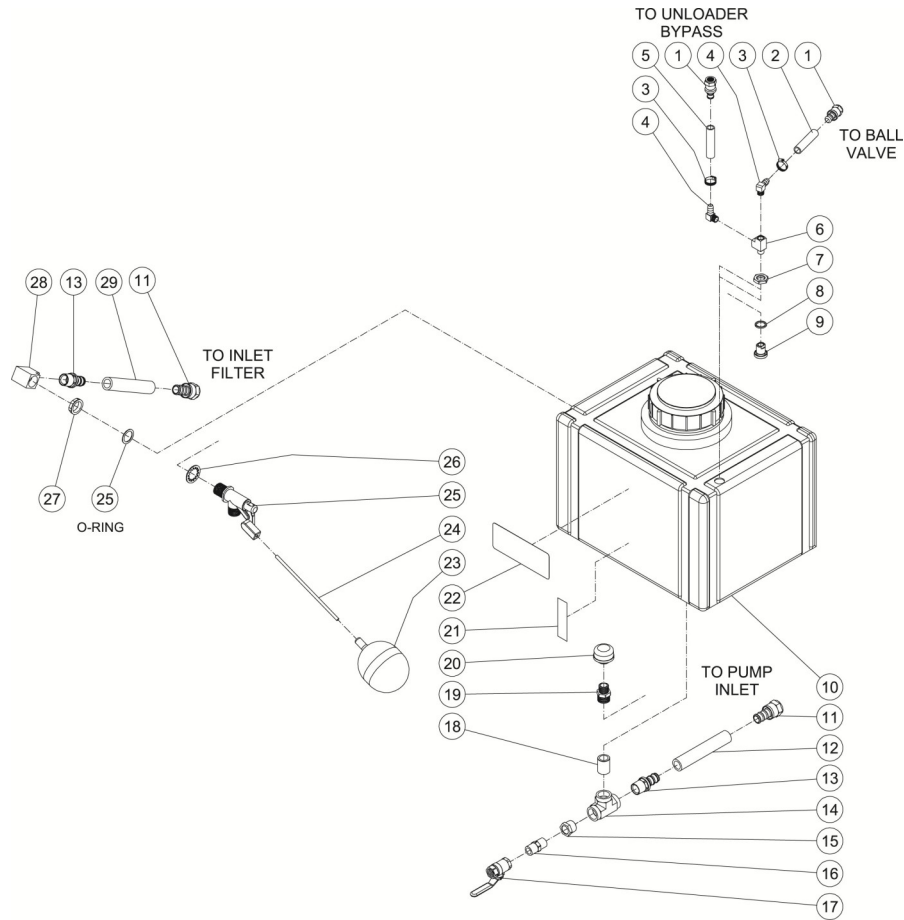
*MUST ORDER IN ONE FOOT LENGTHS



JM-3080 FUEL TANK PARTS LIST

ITEM	DESCRIPTION	PART #	QTY
1	FUEL CAP	JM12-0033	1
2	FUEL TANK	JM12-0233	1
3	DECAL- CAUTION: GASOLINE ONLY (SEE 71-0004)	JM34-1180	1
4	BOLT	JM27-0014	2
5	WASHER	JM28-0002	2
6	GAS TANK STAND	JM20-1224A01	1
7	STRAP	JM20-1225A01	1
8	EDGING *(ONE FOOT REQUIRED)	JM33-0020	2
9	BULKHEAD FITTING	JM23-0408	1
10	O-RING	JM25-0427	1
11	NUT	JM23-0409	1
12	FUEL PICK-UP	JM33-0352	1
13	BARB	JM23-0051	1
14	CLAMP WORM	JM42-0004	1
15	FUEL HOSE *(THREE FEET REQUIRED)	JM15-0008	1

*MUST ORDER IN ONE FOOT LENGTHS



JM-3080 WATER TANK ASSEMBLY PARTS LIST

ITEM	DESCRIPTION	PART #	QTY	ITEM DESCRIPTION	PART #	QTY
1	HOSE BARB	JM23-0360	2	16	NIPPLE	JM23-0012
2	HOSE *(ONE FOOT REQUIRED)	JM15-0007	1	17	BALL VALVE	JM22-0278
3	HOSE CLAMP	JM42-0011	2	18	NIPPLE	JM23-0003
4	ELBOW	JM23-0119	2	19	NIPPLE	JM23-0082
5	HOSE *(TWO FEET REQUIRED)	JM15-0007	1	20	STRAINER	JM19-0203
6	TEE	JM23-0127	1	21	DECAL - TANK DRAIN (SEE 71-0004)	N/A
7	NUT	JM23-0409	1	22	DECAL - TANK WARNING (SEE 71-0004)	JM34-2640
8	O-RING	JM25-0427	1	23	FLOAT	JM22-0059
9	BULKHEAD FITTING	JM23-0408	1	24	BALL FLOAT STUD	JM31-3320
10	WATER TANK	JM12-0232	1	25	FLOAT VALVE	JM22-0317
11	HOSE BARB	JM23-0358	2	26	LOCKWASHER	JM29-0074
12	HOSE *(THREE FEET REQUIRED)	JM15-0033	1	27	LOCKNUT	JM23-0428
13	BARB	JM23-0008	2	28	ELBOW	JM23-0391
14	TEE	JM24-0312	1	29	HOSE *(THREE FEET REQUIRED)	JM15-0033
15	REDUCER	JM23-0023	1	*MUST ORDER IN ONE FOOT LENGTHS		

General Wire Spring Co,
1101 Thompson Avenue
McKees Rocks, PA 15136

412-771-6300 **www.drainbrain.com**