

TWO-POSITION, 3-WIRE DAMPERS

The MD Series dampers are perfect for use with most zoning systems and recommended for use with all of our ESP zone panels. The MD Series dampers can be installed in any position. They are rated for duct systems less than 1.0" WC. The MD Series damper has a simple adjustment for setting the minimum and maximum position.

NO BYPASS REQUIRED!

Features and Benefits:

- Two-position 24V motor; power close/power open, 3-wire
- Compatible with ESP panels to eliminate bypass
- Quiet operation
- Simple adjustment for setting the minimum position

Warranty:

- 5 Years

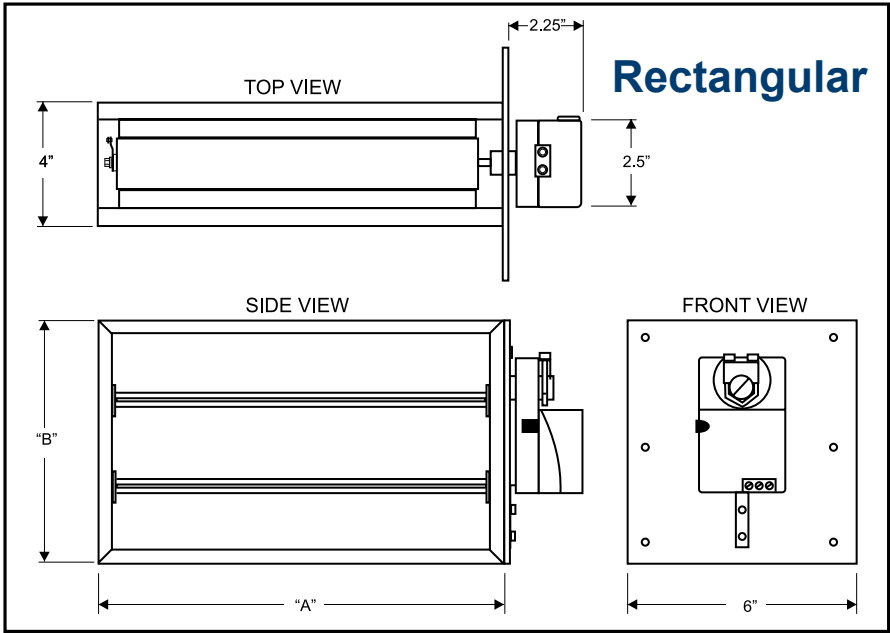
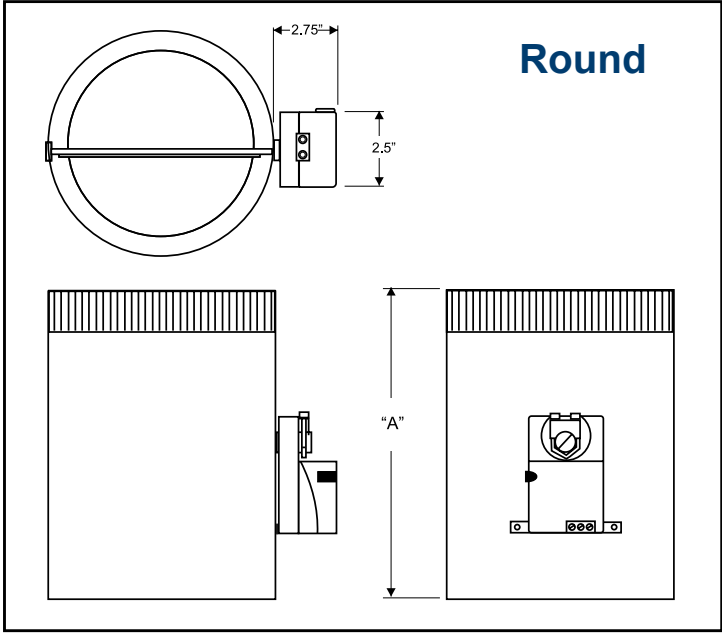


EQUIPPED WITH
BELIMO
 ACTUATORS

Specifications:

Construction	Round: 22-gauge steel shell Rectangular: extruded aluminum
Sizes	Round: 4" to 20" Rectangular: 6" x 6" to 30" x 20" side-mount and bottom-mount
Damper Actuator Type	24VAC, 2.5VA, 3-wire power open/power close
Timing	60 seconds

DAMPER DIAGRAM



5351 East Thompson Road Suite 142
 Indianapolis, IN 46237
 P: 888.359.0362
 F: 317.489.5204

info@iOhvaccontrols.com
 www.iOhvaccontrols.com