

CATALOG #: _____

TYPE: _____

PROJECT: _____

FEATURES



- Easily change the color temperature and lumen output on-site with built in switches, providing ultimate flexibility
- Backlit LED technology provides efficient and uniform lighting
- Simple and quick installation
- Seamless design prevents light leak
- Skylight kit creates architectural design aesthetic
- Surface mount kit provides design continuity where ceiling access is restricted
- Optional factory-installed battery backup provides 90 minutes of emergency illumination
- Shipped in 4-packs to reduce job-site waste
- PMMA lens reduces the risk of yellowing from UV exposure
- Rigid back enclosure prevents warping
- Rated for direct contact with insulation
- Available on QuickShip

SPECIFICATIONS

- HOUSING – Aluminum frame with steel die-formed back enclosure.
- OPTICS – Backlit PMMA lenses with PS diffuser.
- FINISH – Non-glare matte white polyester powder coat. All parts painted after fabrication to facilitate installation, increase efficiency, and inhibit corrosion.
- ELECTRICAL – High-quality mid-power LED boards. L90 >54,000 hours. 25°C max ambient operating temperature.
- MOUNTING – Designed for NEMA Type “G” 1” grid ceiling installations. Factory-installed earthquake clips provided. Skylight, surface mount, and drywall kit options available, shipped separately, see options.
- LISTINGS –
 - cULus listed as LED luminaire suitable for dry or damp locations.
 - IC-rated for direct contact with insulation.
 - DesignLights Consortium qualified product. Not all versions of this product may be DLC qualified, see the DLC Qualified Products List at www.designlights.org/QPL.
- WARRANTY – 5-year limited fixture warranty, see hew.com/warranty.



ORDERING EXAMPLE: BP - 24 - LS/8CS - OPTIONS - DIM - UNV

ORDERING INFO

SERIES	WIDTH	LENGTH	LUMENS ⁽¹⁾	CRI	CCT
BP	1 1'	2 2'	LS Selectable lumens 1x4: 3,100/3,600/4,700 2x2: 3,100/3,500/4,200 2x4: 3,500/4,700/5,700	8 80	CS Selectable CCT 3,500K/4,000K/5,000K
	2 2'	4 4'			

OPTIONS	DRIVER	VOLTAGE
EM/8W 8-watt emergency LED battery	DIM Dim-to-off driver ⁽⁸⁾	UNV 120-277V
EM/10WKIT CEC 10-watt emergency battery kit, CEC compliant ⁽⁴⁾		

DRYWALL FRAME-IN KITS ⁽⁵⁾

DFK-1248W	Drywall kit, 12"x48", white
DFK-2424W	Drywall kit, 24"x24", white
DFK-2448W	Drywall kit, 24"x48", white

SURFACE MOUNT KITS ⁽⁶⁾

BP14SMK-W	Surface mount kit, 1'x4', white
BP22SMK-W	Surface mount kit, 2'x2', white
BP24SMK-W	Surface mount kit, 2'x4', white

SKYLIGHT KITS ⁽⁷⁾

BP142SL-W	Skylight, 1'x4', 2" depth, white
BP222SL-W	Skylight, 2'x2', 2" depth, white
BP242SL-W	Skylight, 2'x4', 2" depth, white

QUICKSHIP

1x4	2x2	2x4
BP-14-LS/8CS-EM/8W-QS-DIM-UNV	BP-22-LS/8CS-EM/8W-QS-DIM-UNV	BP-24-LS/8CS-EM/8W-QS-DIM-UNV
BP-14-LS/8CS-QS-DIM-UNV	BP-22-LS/8CS-QS-DIM-UNV	BP-24-LS/8CS-QS-DIM-UNV

NOTES

- ¹ Lumens based on 4000 CCT. Actual lumens may vary +/-5%.
- ² 4' length only.
- ³ 2' width only.
- ⁴ Ships separately, field installed.
- ⁵ Shipped separately, field installed. See page 3 for DRYWALL KIT (DFK) OPTIONS. DFK and BP housing colors are not identical.
- ⁶ Shipped separately, field installed. See page 4 for SURFACE MOUNT DETAILS.
- ⁷ Earthquake clips standard, 4 per fixture. Shipped separately, field installed. See page 4 for SKYLIGHT DETAILS.
- ⁸ Prewired for 0-10V low-voltage applications. Dimming down to 5%, dim-to-off below 0.5V

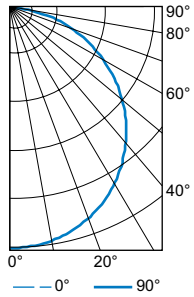
FIXTURE PERFORMANCE DATA

	WATTAGE SETTING	3500K			4000K			5000K		
		LUMEN OUTPUT	WATTAGE	EFFICACY (LM/W)	LUMEN OUTPUT	WATTAGE	EFFICACY (LM/W)	LUMEN OUTPUT	WATTAGE	EFFICACY (LM/W)
1x4	25	3002	26	115	3123	25	125	3014	25	121
	30	3396	30	113	3558	28	127	3414	30	114
	40	4687	41	114	4665	39	120	4412	40	110
2x2	25	2969	25	119	3115	24	130	3017	25	121
	30	3354	29	116	3549	28	127	3420	29	118
	40	4351	40	109	4163	38	110	4434	39	114
2x4	30	3452	29	119	3536	28	126	3464	28	124
	40	4491	39	115	4677	38	123	4522	40	113
	50	5361	48	111	5734	48	119	5479	50	110

Results based on 4000K, 80 CRI, actual lumens may vary +/-5%. To calculate lumen output in emergency mode, multiply the battery wattage by the efficacy.

PHOTOMETRY

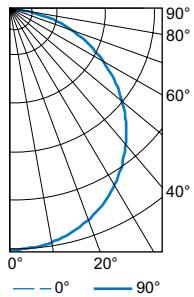
BP-14-LS/8CS-DIM-UNV_30W Total Luminaire Output: 3558 lumens; 28 Watts | Efficacy: 127 lm/W | 80 CRI; 4000K CCT



CANDLEPOWER DISTRIBUTION	VERTICAL ANGLE	HORIZONTAL ANGLE			ZONAL LUMENS
		0°	45°	90°	
	0	1205	1205	1205	
	5	1201	1200	1200	114
	15	1162	1159	1159	328
	25	1083	1078	1079	498
	35	970	963	964	604
	45	823	816	817	631
	55	651	643	643	576
	65	461	454	452	449
	75	263	259	256	273
	85	76	74	74	81
	90	1	0	0	

LUMEN SUMMARY	ZONE	LUMENS	% FIXTURE
	0 - 30	940	26
	0 - 40	1544	43
	0 - 60	2752	77
	0 - 90	3555	100
	0 - 180	3558	100

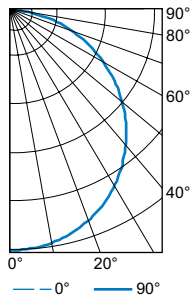
BP-22-LS/8CS-DIM-UNV_30W Total Luminaire Output: 3549 lumens; 28 Watts | Efficacy: 127 lm/W | 80 CRI; 4000K CCT



CANDLEPOWER DISTRIBUTION	VERTICAL ANGLE	HORIZONTAL ANGLE			ZONAL LUMENS
		0°	45°	90°	
	0	1220	1220	1220	
	5	1216	1215	1215	115
	15	1175	1174	1176	331
	25	1094	1094	1095	503
	35	975	977	978	609
	45	825	827	827	635
	55	647	650	650	576
	65	450	455	456	444
	75	243	253	257	261
	85	61	63	68	70
	90	0	0	0	

LUMEN SUMMARY	ZONE	LUMENS	% FIXTURE
	0 - 30	950	27
	0 - 40	1559	44
	0 - 60	2770	78
	0 - 90	3545	100
	0 - 180	3549	100

BP-24-LS/8CS-DIM-UNV_40W Total Luminaire Output: 4677 lumens; 38 Watts | Efficacy: 123 lm/W | 80 CRI; 4000K CCT

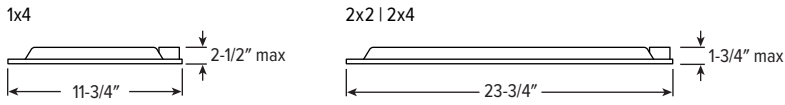


CANDLEPOWER DISTRIBUTION	VERTICAL ANGLE	HORIZONTAL ANGLE			ZONAL LUMENS
		0°	45°	90°	
	0	1608	1608	1608	
	5	1601	1599	1600	152
	15	1550	1545	1546	437
	25	1445	1438	1438	664
	35	1290	1285	1284	804
	45	1091	1087	1086	838
	55	856	851	848	760
	65	595	591	588	584
	75	329	327	323	343
	85	91	85	81	94
	90	1	0	0	

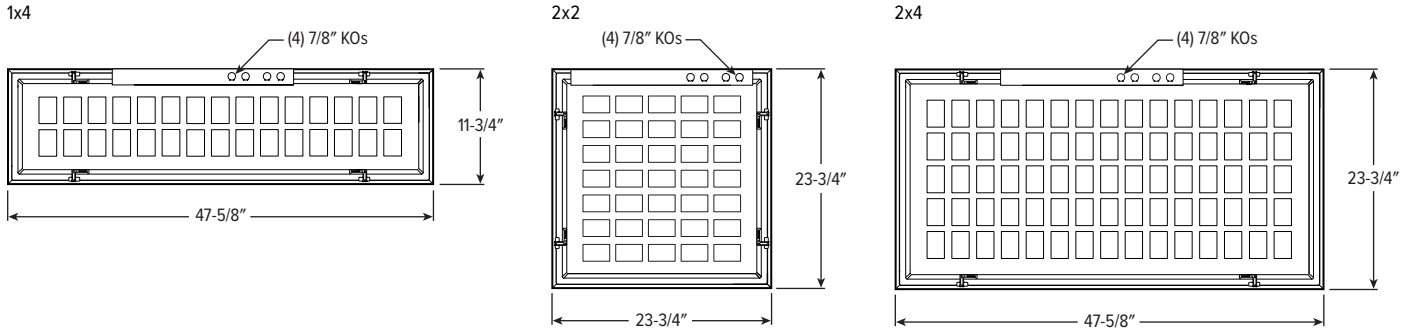
LUMEN SUMMARY	ZONE	LUMENS	% FIXTURE
	0 - 30	1253	27
	0 - 40	2057	44
	0 - 60	3655	78
	0 - 90	4676	100
	0 - 180	4677	100

RECESSED DETAILS

END VIEW



BACK VIEW

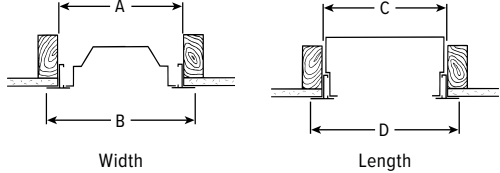


DRYWALL KIT (DFK) OPTIONS

ORDERING EXAMPLE: DFK - 24 24 W			
SERIES	WIDTH	LENGTH	FINISH
DFK Drywall Kit	See table below	See table below	W White AMW Anti-microbial white

TYPICAL INSTALLATION

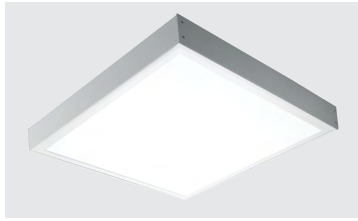
Refer to table for dimensions.



CATALOG NUMBER	NOMINAL SIZE	ROUGH-IN		FINISH TRIM SIZE	
		WIDTH (A)	LENGTH (C)	WIDTH (B)	LENGTH (D)
DFK-1248_	1' x 4'	12-3/8"	48-3/8"	13-5/16"	49-5/16"
DFK-2424_	2' x 2'	24-3/8"	24-3/8"	25-5/16"	25-5/16"
DFK-2448_	2' x 4'	24-3/8"	48-3/8"	25-5/16"	49-5/16"

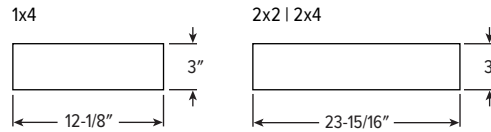
SEE NEXT PAGE FOR SURFACE & SKYLIGHT DETAILS.

SURFACE MOUNT DETAILS

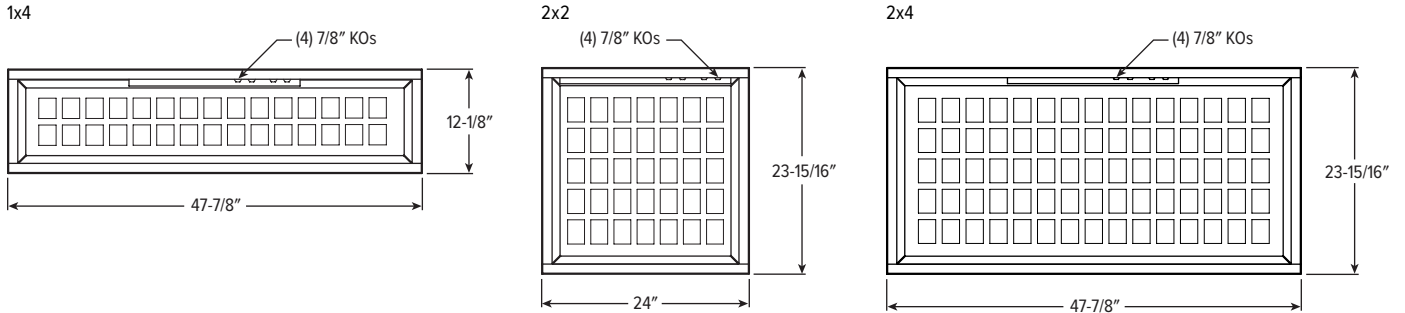


2x2 Shown

END VIEW



BACK VIEW

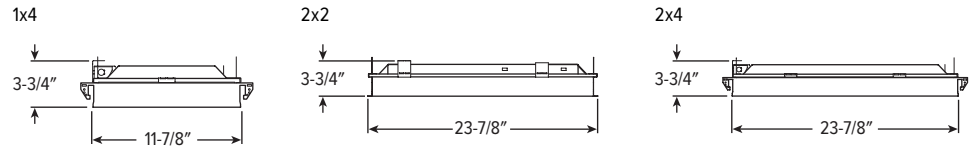


SKYLIGHT DETAILS

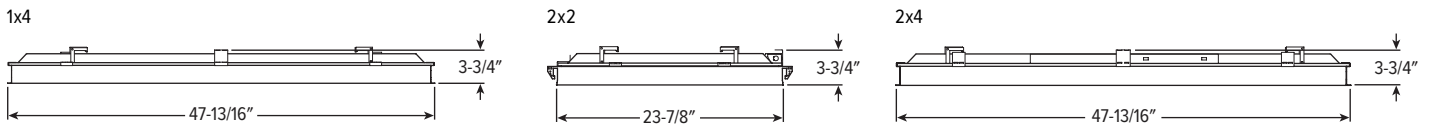


2x2 Shown

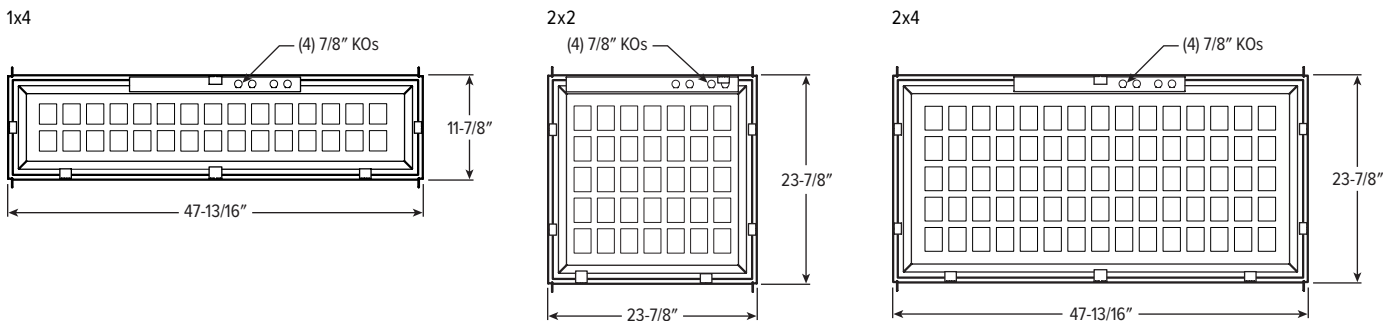
END VIEW



SIDE VIEW

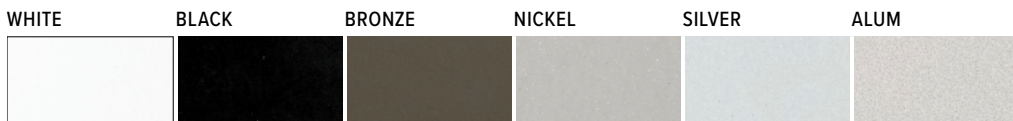


BACK VIEW



FINISH OPTIONS

SURFACE AND SKYLIGHT KITS ONLY.



For custom color, please specify RAL code or a manufacturer code with description. All custom colors other than RAL require two sample swatches, minimum 1" square.