

Cord Grip Connector KITS

Size Range: 1/2" to 2"

Product Series: CGK Series Cord Grip Cable Glands

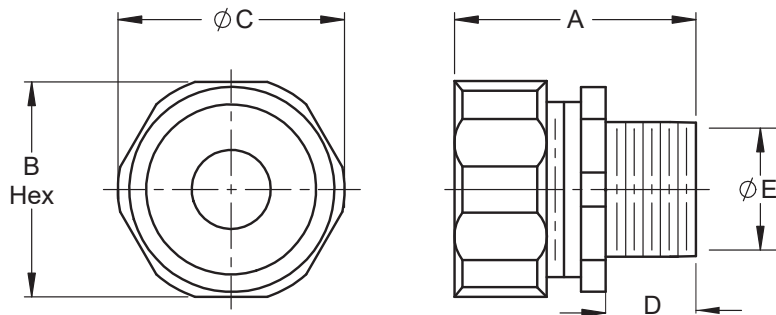
Materials: Alloy Steel Zinc Plated with Chromate Finish

T316 Stainless Steel and Aluminum (CU Free) Material Options*

Made in the USA



Industrial SPEC-grade



NPT
Threads

Cat # *	Trade / Hub Size	Each Kit Provides a Cable OD Range of Min" to Max"	A Length	B Hex	C Dia	D Thrd. Lgth.	E Dia
CG50K	1/2"	0.125 to 0.650	1 1/4"	7/8"	15/16"	7/16"	5/8"
CG75K	3/4"	0.125 to 0.880	1 3/8"	1 3/16"	1 3/8"	9/16"	13/16"
CG100K	1"	0.375 to 1.065	1 3/4"	1 7/16"	1 1/2"	11/16"	15/16"
CG125K	1 1/4"	0.750 to 1.500	1 15/16"	2"	2 1/16"	11/16"	1-3/8"
CG150K	1 1/2"	1.050 to 1.630	2 1/8"	2 5/16"	2 3/8"	3/4"	1-5/8"
CG200K	2"	1.380 to 2.060	2 5/16"	2 13/16"	2 7/8"	3/4"	2-1/16"

*Add AL to Cat # for Aluminum Cord Grips
Add SST to Cat# for Stainless Steel

All CG Grommets are molded by American Fittings in NJ.
Grommets are Santoprene an FDA Approved material.

Precision Machined Construction from Solid Bar Stock
NPT Threads for a Liquid Tight Fit
Provides Strain Relief with True Arc of Bend Radius
Dome Compression Nut Sheds Liquids
EZ Hex Compression Nut for Full Torque Values

Each Kit Contains:
1 Fully Assembled Cord Grip
Numerous Grommets to Precisely Fit Your Cable.
Color Coded Chart for Sizes Included in Each Kit



One Package Has Your Cords Covered!

Simply select the grommet that best fits your cable OD.

Compliances:

Certified Made in the USA
UL 514B
NEMA Standard FB1 Rated Liquid Tight
Federal Standard A-A-50553
Grommet Santoprene UL 94V-0 FDA Approved
UL Rated Suitable for Hazardous Locations
NEC: Class I, Division 2
Class II, Divisions 1 and 2
Class III, Divisions 1 and 2
NEC 501-4(b), 505-4(a), 503-3(a)
CSA Standard: C22.2 No. 18F
RoHS and REACH Compliant
CA Prop 65 Compliant
UNSPC 39121719



Locknuts and Sealing Washers Sold Separately



Since 1946

Cord Grip Connector KITS

One Package, One Price, One SKU It's that Simple!

Liquid **Tight** Seal with Strain Relief Retention
Featuring AMFICO **EZ Torque** Hex Head Nuts
Precision Machined from Solid Bar Stock

Kits are Available in Alloy Steel, Stainless, and Aluminum*



Packaged To Fit Your Needs
Made in the USA

Each AMFICO Kit Will Replace Competitor Cat #'s As Shown

AMFICO CG KITS Each Kit Covers This Range	T & B Cat #	Appleton Cat #	Hubbell Cat #	CCH Cat #	Remke Cat #
1/2" Hub .125-.650 Cord Range Cat # - CG50K	2520	CG-1250S	3702-1	CG50 250	RSRS-103
	2521	CG-1850S	3702-2	CG50 350	RSRS-104
	2522	CG-3150S	3702-3	CG50 450	RSRS-105
	2523	CG-3750S	3702-4	CG50 560	RSRS-106
	2524	CG-5050S	3702-5	CG50 650	RSRS-107
				3702-6	
3/4" Hub .125-.880 Cord Range Cat # - CG75K	2530	CG-1275S	3703-1	CG75 250	RSRS-208
	2531	CG-2575S	3703-2	CG75 350	RSRS-209
	2532	CG-3775S	3703-3	CG75 450	RSRS-210
	2534	CG-5075S	3703-4	CG75 560	RSRS-211
	2535	CG-6275S	3703-6	CG75 650	RSRS-212
	2536	CG-7575S	3703-5	CG75 750	RSRS-213
1" Hub .375-1.125 Cord Range Cat # - CG100K	2541	CG-37100S			RSRS-309
	2542	CG-50100S	3704-1	CG100 560	RSRS-310
	2544	CG-62100S	3704-2	CG100 650	RSRS-311
	2545	CG-75100S	3704-3	CG100 750	RSRS-312
	2546	CG-87100S		CG100 850	RSRS-313
	2547	CG-100100S		CG100 950	RSRS-313
	2548			CG100 1050	RSRS-314
					RSRS-315
1 1/4" Hub .750-1.500 Cord Range Cat # CG125K	2257	CG-75125	SHC1050	CG125 850	RSR-414
	2558	CG-87125	SHC1051	CG125 950	RSR-416
	2559	CG-100125	SHC1052	CG125 1050, 1150	RSR-418
	2556	CG-112125	SHC1053	CG125 1250	RSR-420
	2556	CG125125	SHC1054	CG125 1375	RSR-422
	2557	CG137125			
1 1/2" Hub 1.050- 1.630 Cord Range Cat # CG150K	2574		SHC1066	CGB Series	RSR-623
	2574		SHC1067		RSR-625, 627
	2575	CG-115150	SHC1068		RSR-629
	2575	CG-115150	SHC1069		RSR-629
	2576	CG-125150	SHC1071		RSR-6731
	2577		SHC1072		RSR-6733
2" Hub 1.380-2.060 Cord Range Cat # CG 200K	2574		SHC1066	CGB Series	RSR-623
	2574	CG-153200	SHC1067		RSR-625, 627
	2575	CG-153200	SHC1068		RSR-629
	2575	CG-165200	SHC1069		RSR-629
	2576	CG-165200	SHC1071		RSR-6731
	2577	CG-165200	SHC1072		RSR-6733

* Add Suffix AL to Cat # for Aluminum or SST for Stainless Steel Construction