

# Cord Grip Connector KITS

Size Range: 1/2" to 2"

Product Series: CGK Series Cord Grip Cable Glands

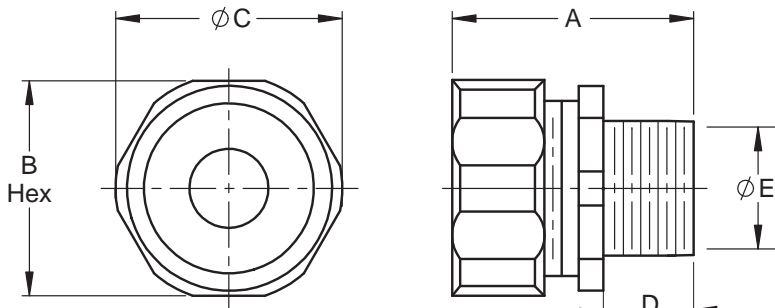
Materials: Alloy Steel Zinc Plated with Chromate Finish

T316 Stainless Steel and Aluminum (CU Free) Material Options\*

Made in the USA



Industrial SPEC-grade



NPT  
Threads

Cat # *	Trade / Hub Size	Each Kit Provides a Cable OD Range of Min" to Max"	A Length	B Hex	C Dia	D Thrd. Lgth.	E Dia
CG50K	1/2"	0.125 to 0.650	1 1/4"	7/8"	15/16"	7/16"	5/8"
CG75K	3/4"	0.125 to 0.880	1 3/8"	1 3/16"	1 3/8"	9/16"	13/16"
CG100K	1"	0.375 to 1.125	1 3/4"	1 7/16"	1 1/2"	11/16"	15/16"
CG125K	1 1/4"	0.750 to 1.500	1 15/16"	2"	2 1/16"	11/16"	1-3/8"
CG150K	1 1/2"	1.050 to 1.630	2 1/8"	2 5/16"	2 3/8"	3/4"	1-5/8"
CG200K	2"	1.380 to 2.060	2 5/16"	2 13/16"	2 7/8"	3/4"	2-1/16"

\*Add AL to Cat # for Aluminum Cord Grips  
Add SST to Cat# for Stainless Steel

All CG Grommets are molded by American Fittings in NJ.  
Grommets are Santoprene an FDA Approved material.

Precision Machined Construction from Solid Bar Stock  
NPT Threads for a Liquid Tight Fit  
Provides Strain Relief with True Arc of Bend Radius  
Dome Compression Nut Sheds Liquids  
EZ Hex Compression Nut for Full Torque Values

Each Kit Contains:  
1 Fully Assembled Cord Grip  
Numerous Grommets to Precisely Fit Your Cable.  
Color Coded Chart for Sizes Included in Each Kit



**One Package Has Your Cords Covered!**

Simply select the grommet that best fits your cable OD.

**Compliances:**

- Certified Made in the USA
- UL 514B
- NEMA Standard FB1 Rated Liquid Tight
- Federal Standard A-A-50553
- Grommet Santoprene UL 94V-0 FDA Approved
- UL Rated Suitable for Hazardous Locations
- NEC: Class I, Division 2
- Class II, Divisions 1 and 2
- Class III, Divisions 1 and 2
- NEC 501-4(b), 505-4(a), 503-3(a)
- CSA Standard: C22.2 No. 18F
- RoHS and REACH Compliant
- CA Prop 65 Compliant
- UNSPC 39121719



Locknuts and Sealing Washers Sold Separately

Rev.1.122021



Since 1946

## Cord Grip Connector KITS

**One Package, One Price, One SKU It's that Simple!**

Liquid **Tight** Seal with Strain Relief Retention  
Featuring AMFICO **EZ Torque** Hex Head Nuts  
Precision Machined from Solid Bar Stock

**Kits are Available in Alloy Steel, Stainless, and Aluminum\***



Packaged To Fit Your Needs  
**Made in the USA**

Each AMFICO Kit Will Replace Competitor Cat #'s As Shown

AMFICO CG KITS Each Kit Covers This Range	T & B Cat #	Appleton Cat #	Hubbell Cat #	CCH Cat #	Remke Cat #
<b>1/2" Hub</b> <b>.125-.650 Cord Range</b> <b>Cat # - CG50K</b>	2520	CG-1250S	3702-1	CG50 250	RSRS-103
	2521	CG-1850S	3702-2	CG50 350	RSRS-104
	2522	CG-3150S	3702-3	CG50 450	RSRS-105
	2523	CG-3750S	3702-4	CG50 560	RSRS-106
	2524	CG-5050S	3702-5	CG50 650	RSRS-107
				3702-6	
<b>3/4" Hub</b> <b>.125-.880 Cord Range</b> <b>Cat # - CG75K</b>	2530	CG-1275S	3703-1	CG75 250	RSRS-208
	2531	CG-2575S	3703-2	CG75 350	RSRS-209
	2532	CG-3775S	3703-3	CG75 450	RSRS-210
	2534	CG-5075S	3703-4	CG75 560	RSRS-211
	2535	CG-6275S	3703-6	CG75 650	RSRS-212
	2536	CG-7575S	3703-5	CG75 750	RSRS-213
<b>1" Hub</b> <b>.375-1.125 Cord Range</b> <b>Cat # - CG100K</b>	2541	CG-37100S			RSRS-309
	2542	CG-50100S	3704-1	CG100 560	RSRS-310
	2544	CG-62100S	3704-2	CG100 650	RSRS-311
	2545	CG-75100S	3704-3	CG100 750	RSRS-312
	2546	CG-87100S		CG100 850	RSRS-313
	2547	CG-100100S		CG100 950	RSRS-313
	2548			CG100 1050	RSRS-314
					RSRS-315
<b>1 1/4" Hub</b> <b>.750-1.500 Cord Range</b> <b>Cat # CG125K</b>	2257	CG-75125	SHC1050	CG125 850	RSR-414
	2558	CG-87125	SHC1051	CG125 950	RSR-416
	2559	CG-100125	SHC1052	CG125 1050, 1150	RSR-418
	2556	CG-112125	SHC1053	CG125 1250	RSR-420
	2556	CG125125	SHC1054	CG125 1375	RSR-422
	2557	CG137125			
<b>1 1/2" Hub</b> <b>1.050- 1.630 Cord Range</b> <b>Cat # CG150K</b>	2574		SHC1066	<b>CGB Series</b>	RSR-623
	2574		SHC1067		RSR-625, 627
	2575	CG-115150	SHC1068		RSR-629
	2575	CG-115150	SHC1069		RSR-629
	2576	CG-125150	SHC1071		RSR-6731
	2577		SHC1072		RSR-6733
<b>2" Hub</b> <b>1.380-2.060 Cord Range</b> <b>Cat # CG 200K</b>	2574		SHC1066	<b>CGB Series</b>	RSR-623
	2574	CG-153200	SHC1067		RSR-625, 627
	2575	CG-153200	SHC1068		RSR-629
	2575	CG-165200	SHC1069		RSR-629
	2576	CG-165200	SHC1071		RSR-6731
	2577	CG-165200	SHC1072		RSR-6733

\* Add Suffix AL to Cat # for Aluminum or SST for Stainless Steel Construction