

Hazardous Location Fittings

Provide Access to Wiring, Directional Changes in Conduit and More!



GUA

OCAL-BLUE™ Double-Coat GUA Series Conduit Boxes

GUA series conduit boxes are installed in hazardous areas to protect conductors, act as pull and splice boxes, provide access to conductors for maintenance and future system changes, act as mounting outlets for fixtures (with proper covers) or change conduit direction.

- Grade 60-45-10 ductile iron bodies and cast aluminum covers (iron covers also available)
- Nominal 0.002 in. (2 mils) blue urethane coating on both interior and exterior and nominal 0.040 in. (40 mils) PVC coating bonded to exterior
- All hubs have minimum 5 full threads, integral bushing and pressure-sealing sleeves
- All units furnished with internal grounding screw and ship complete with aluminum cover with O-ring gasket (covers also sold separately for replacement purposes)
- Explosion-proof, dust-ignition proof, raintight and suitable for use in the following environments:†
 - Class I, Divisions 1 & 2, Groups C and D
 - Class II, Division 1, Groups E, F and G
 - Class III, Divisions 1 & 2
 - NEMA 3, 4, 7 CD and 9 EFG



GUAB

Listings / Certifications†

- UL514A Wet Locations (when used with gasketed covers)
- UL886



GUAC

GUAT



GUAX

Cat. No.					Aluminum Cover Only	Iron Cover Only	Pipe Size in. (mm)	Cover Opening in. (mm)
GUA	GUAC	GUAT	GUAX	GUAB				
GUA14-	GUAC14-	GUAT14-	GUAX14-	GUAB14-	GUA04-	GUA04WOD-	1/2 (16)	2.00 (50.80)
GUA24-	GUAC24-	GUAT24-	GUAX24-	GUAB24-	GUA04-	GUA04WOD-	3/4 (21)	2.00 (50.80)
GUA16-	GUAC16-	GUAT16-	GUAX16-	GUAB16-	GUA06-	GUA06WOD-	1/2 (16)	3.00 (76.20)
GUA26-	GUAC26-	GUAT26-	GUAX26-	GUAB26-	GUA06-	GUA06WOD-	3/4 (21)	3.00 (76.20)
GUA36-	GUAC36-	GUAT36-	GUAX36-	GUAB36-	GUA06-	GUA06WOD-	1 (27)	3.00 (76.20)
—	—	GUAT37-	GUAX37-	—	GUA07-	GUA07WOD-	1 (27)	3.63 (92.20)
GUA47-	GUAC47-	GUAT47-	GUAX47-	GUAB47-	GUA07-	GUA07WOD-	1-1/4 (35)	3.63 (92.20)
—	GUAC49-	GUAT49-	GUAX49-	—	GUA09-	GUA09WOD-	1-1/4 (35)	5.00 (127.00)
GUA59-	GUAC59-	GUAT59-	GUAX59-	GUAB59-	GUA09-	GUA09WOD-	1-1/2 (41)	5.00 (127.00)
—	GUAC69-	GUAT69-	GUAX69-	GUAB69-	GUA09-	GUA09WOD-	2 (53)	5.00 (127.00)

Metric size designator (ANSI C80.1-1994). † Ratings prior to PVC coating.

Hazardous Location Fittings

OCAL-BLUE™ Double-Coat GUA Series Conduit Boxes (cont'd)



GUA4



GUA5



GUA6

Cat. No.	Material	Colour
GUA14-	SA = Aluminum	- = space for colour identifier
		G = Grey
		W = White
		B = Blue
		R = Red

Custom colours also available - Std. min. quantities are required. Please contact your Regional Sales Office.



GUA7



GUA8

Cat. No.					Aluminum Cover Only	Iron Cover Only	Pipe Size in. (mm)	Cover Opening in. (mm)
GUA4	GUA5	GUA6	GUA7	GUA8				
GUA14-	GUA14-	GUA14-	GUA14-	GUA14-	GUA04-	GUA04WOD-	1/2 (16)	2.00 (50.80)
GUA24-	GUA24-	GUA24-	GUA24-	GUA24-	GUA04-	GUA04WOD-	3/4 (21)	2.00 (50.80)
GUA16-	GUA16-	GUA16-	GUA16-	GUA16-	GUA06-	GUA06WOD-	1/2 (16)	3.00 (76.20)
GUA26-	GUA26-	GUA26-	GUA26-	GUA26-	GUA06-	GUA06WOD-	3/4 (21)	3.00 (76.20)
GUA36-	GUA36-	GUA36-	GUA36-	—	GUA06-	GUA06WOD-	1 (27)	3.00 (76.20)
—	GUA47-	GUA47-	GUA47-	—	GUA07-	GUA07WOD-	1-1/4 (35)	3.63 (92.20)
GUA49-	GUA49-	—	—	—	GUA09-	GUA09WOD-	1-1/4 (35)	5.00 (127.00)
—	GUA59-	—	GUA59-	—	GUA09-	GUA09WOD-	1-1/2 (41)	5.00 (127.00)
—	GUA69-	GUA69-	GUA69-	—	GUA09-	GUA09WOD-	2 (53)	5.00 (127.00)

Metric size designator (ANSI C80.1-1994).

Hazardous Location Fittings

Junction Boxes for Branch Conduits in Hazardous Locations

OCAL-BLUE™ Double-Coat External Hubs with Covers and Installed Green Ground Screw

- Accessible wiring chamber provides a convenient location to maintain or change a system, pull conductors and make splices
- Unique mounting pads and rugged protective housing ideal for installation of OEM devices or instruments
- Die-cast copper-free aluminum alloy A360 construction with precision cast and machined surfaces
- Precision NPT threaded hubs for trouble-free field installation
- Nominal 0.002 in. (2 mils) blue urethane coating on both interior and exterior and nominal 0.040 in. (40 mils) PVC coating bonded to exterior
- Explosion-proof, dust-ignition proof, raintight and suitable for use in the following environments:††
 - Class I, Divisions 1 & 2, Groups C and D
 - Class II, Division 1, Groups E, F and G
 - Class III, Divisions 1 & 2
 - NEMA 3, 4, 7 CD and 9 EFG (NEMA 4 rated when ordered with O-ring installed)



GAC



GAE



GAL



GALB



GAT

Cat. No.						Pipe Size in. (mm)	Cover Opening in. (mm)
Through-Feed W/Surf. Cover GAC	Dead End W/Surf. Cover GAE	L-Style W/Surf. Cover GAL	LB-Style W/Surf. Cover GALB	T-Style W/Surf. Cover GAT	Surface Cover Only GAS		
GAC-1- _†	GAE-1- _†	GAL-1- _†	GALB-1- _†	GAT-1- _†	GAS-123- _•	1/2 (16)	3.69 (93.73)
GAC-2- _†	GAE-2- _†	GAL-2- _†	GALB-2- _†	GAT-2- _†	GAS-123- _•	3/4 (21)	3.69 (93.73)
GAC-3- _{†•}	GAE-3- _{†•}	GAL-3- _{†•}	GALB-3- _†	GAT-3- _†	GAS-123- _•	1 (27)	3.69 (93.73)
GAC-4- _{†•}	—	GAL-4- _{†•}	GALB-4- _†	GAT-4- _†	GAS-4- _•	1-1/4 (35)	3.91 (99.31)
GAC-5- _{†•}	—	GAL-5- _{†•}	GALB-5- _{†•}	GAT-5- _†	GAS-56- _•	1-1/2 (41)	5.19 (131.83)
GAC-6- _{†•}	—	GAL-6- _{†•}	GALB-6- _{†•}	GAT-6- _†	GAS-56- _•	2 (53)	5.19 (131.83)

† Suffix -OR: O-ring available for NEMA 4 rating. Consult your Regional Sales Office for lead time and price. • Made-to-order item. Consult factory for lead time and minimum quantities.

†† Ratings prior to PVC coating. Metric size designator (ANSI C80.1-1994).

Hazardous Location Fittings

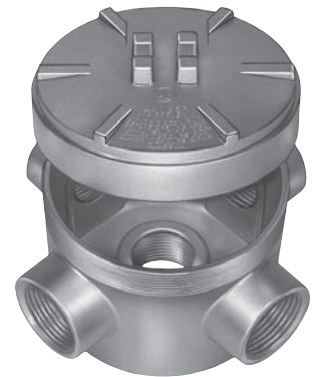
OCAL-BLUE™ Double-Coat External Hubs with Covers and Installed Green Ground Screw (cont'd)



GAX



GAFX



GAJU
(shown uncoated)



GAS



GAD



GAJ
(shown uncoated)

Cat. No.	Colour
GAC1-	_ = space for colour identifier
	G = Grey
	W = White
	B = Blue
Custom colours also available - Std. min. quantities are required. Please contact your Regional Sales Office.	

Cat. No.						Pipe Size in. (mm)	Cover Opening in. (mm)
X-Style W/Surf. Cover GAX	X-Style W/Flange & Surf. Cover GAFX	U-Style Surface W/Canopy Cover GAJU	Surface Cover Only GAS	Dome Cover Only (Class I, Gr. D) GAD	Canopy Cover Only GAJ		
GAX-1- _†	GAFX-1- _†	GAJU-1- _•	GALB-1- _†	GAD-123- _•	GAJ-123- _•	1/2 (16)	3.69 (93.73)
GAX-2- _†	GAFX-2- _†	GAJU-2- _•	GALB-2- _†	GAD-123- _•	GAJ-123- _•	3/4 (21)	3.69 (93.73)
GAX-3- _{†•}	GAFX-3- _†	GAJU-3- _•	GALB-3- _†	GAD-123- _•	GAJ-123- _•	1 (27)	3.69 (93.73)
GAX-4- _{†•}	—	—	GALB-4- _†	—	GAJ-4- _•	1-1/4 (35)	3.91 (99.31)
GAX-5- _{†•}	—	GAJU-5- _•	GALB-5- _{†•}	—	GAJ-56- _•	1-1/2 (41)	5.19 (131.83)
GAX-6- _{†•}	—	GAJU-6- _•	GALB-6- _{†•}	—	GAJ-56- _•	2 (53)	5.19 (131.83)

• Made-to-order item. Consult your Regional Sales Office for lead time and minimum quantities. † Suffix -OR: O-ring available for NEMA 4 rating. Consult your Regional Sales Office for lead time and price. Metric size designator (ANSI C80.1-1994).

Hazardous Location Fittings

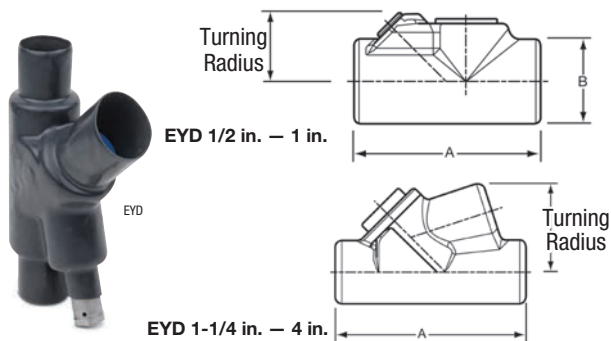
Restrict the Passage of gGases, Vapors and Flames at Atmospheric Pressure and Normal Ambient Temperatures

OCAL-BLUE™ Double-Coat Sealing Fittings

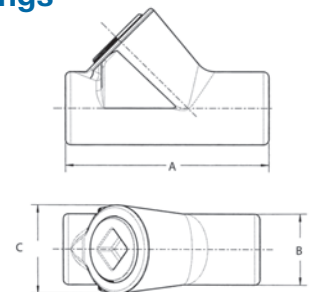
- Sealing fittings restrict the passage of gases, vapors, or flames from one portion of the electrical installation to another at atmospheric pressure and normal ambient temperatures. They prevent precompression or “pressure pilling” in conduit systems.
- Grey iron alloy body construction coated with nominal 0.002 in. (2 mils) blue urethane on both interior and exterior
- Nominal 0.040 in. (40 mils) PVC coating bonded to exterior — available in grey, white, blue or custom colours

- Explosion-proof, dust-ignition proof and suitable for use in the following environments:†
 - Class I, Divisions 1 & 2, Groups C and D
 - Class II, Division 1, Groups E, F and G
 - Class III, Divisions 1 & 2

EYD Series Drain Sealing Fittings



EYS Series Sealing Fittings



EYS1 — EYS5

Female Cat. No.	Male & Female Cat. No.	Pipe Size in. (mm)	Dimensions in. (mm)			Turning Radius in. (mm)
			A	B	C	
Vertical Only						
EYS1- ₋	EYS16- ₋	1/2 (16)	3.31 (84.07)	1.25 (31.75)	1.50 (38.10)	1.66 (42.16)
EYS2- ₋	EYS26- ₋	3/4 (21)	3.65 (92.71)	1.50 (38.10)	1.75 (44.45)	1.96 (49.78)
EYS3- ₋	EYS36- ₋	1 (27)	4.25 (107.95)	1.75 (44.45)	2.19 (55.63)	2.40 (60.96)
Vertical or Horizontal						
EYS11- ₋	EYS116- ₋	1/2 (16)	3.63 (92.20)	1.25 (31.75)	—	1.09 (27.69)
EYS21- ₋	EYS216- ₋	3/4 (21)	3.66 (92.96)	1.50 (38.10)	—	1.25 (31.75)
EYS31- ₋	EYS316- ₋	1 (27)	4.25 (107.95)	1.75 (44.45)	—	1.59 (40.39)
EYS4- ₋	EYS46- ₋	1-1/4 (35)	5.00 (127.00)	2.25 (57.15)	—	1.81 (45.97)
EYS5- ₋	EYS56- ₋	1-1/2 (41)	5.44 (138.18)	2.44 (61.98)	—	2.00 (50.80)
EYS6- ₋	EYS66- ₋	2 (53)	6.25 (158.75)	3.00 (76.20)	—	2.31 (58.67)
EYS7- ₋	EYS76- ₋	2-1/2 (63)	7.50 (190.50)	3.50 (88.90)	—	2.56 (65.02)
EYS8- ₋	EYS86- ₋	3 (78)	8.50 (215.90)	4.25 (107.95)	—	3.09 (78.49)
EYS9- ₋	EYS96- ₋	3-1/2 (91)	9.19 (233.43)	4.75 (120.65)	—	3.38 (85.85)
EYS10- ₋	EYS106- ₋	4 (103)	9.75 (247.65)	5.25 (133.35)	—	3.53 (89.66)

IMPORTANT: MUST BE USED WITH CHICOTM SEALING COMPOUND AND FIBER SEE PAGE H41.
 † Ratings prior to PVC coating. EYSX and EYDX are expanded-fill styles. When ordering, add X to part number. For example: EYSX31-G, EYDX31-B. Metric size designator (ANSI C80.1-1994).

Female Cat. No.	Male & Female Cat. No.	Pipe Size in. (mm)	Dimensions in. (mm)		Turning Radius in. (mm)
			A	B	
EYD1- ₋	EYD16- ₋	1/2 (16)	3.81 (96.77)	1.50 (38.10)	1.75 (44.45)
EYD2- ₋	EYD26- ₋	3/4 (21)	4.08 (103.63)	1.75 (44.45)	1.98 (50.29)
EYD3- ₋	EYD36- ₋	1 (27)	4.85 (123.19)	2.19 (55.63)	2.19 (55.63)
EYD4- ₋	EYD46- ₋	1-1/4 (35)	5.00 (127.00)	2.25 (57.15)	1.80 (45.72)
EYD5- ₋	EYD56- ₋	1-1/2 (41)	5.44 (138.18)	2.44 (61.98)	2.00 (61.98)
EYD6- ₋	EYD66- ₋	2 (53)	6.25 (158.75)	3.00 (76.20)	2.32 (58.93)
EYD7- ₋	EYD76- ₋	2-1/2 (63)	7.50 (190.50)	3.50 (88.90)	2.69 (68.33)
EYD8- ₋	EYD86- ₋	3 (78)	8.50 (215.90)	4.25 (107.95)	3.15 (80.01)
EYD9- ₋	EYD96- ₋	3-1/2 (91)	9.19 (233.43)	4.75 (120.65)	3.38 (85.85)
EYD10- ₋	EYD106- ₋	4 (103)	9.75 (247.65)	5.25 (133.35)	3.64 (92.46)

Hazardous Location Fittings

OCAL-BLUE™ Double-Coat Sealing Fittings (cont'd)



EZS Series Sealing Fittings

Female Cat. No.	Male & Female Cat. No.	in. (mm)
EZS1- <u> </u>	EZS16- <u> </u>	1/2 (16)
EZS2- <u> </u>	EZS26- <u> </u>	3/4 (21)
EZS3- <u> </u>	EZS36- <u> </u>	1 (27)
EZS4- <u> </u>	EZS46- <u> </u>	1-1/4 (35)
EZS5- <u> </u>	EZS56- <u> </u>	1-1/2 (41)
EZS6- <u> </u>	EZS66- <u> </u>	2 (53)
EZS7- <u> </u>	EZS76- <u> </u>	2-1/2 (63)
EZS8- <u> </u>	EZS86- <u> </u>	3 (78)

Metric size designator (ANSI C80.1-1994).

EZD Series Sealing Fittings

Cat. No.	in. (mm)
EZD111- <u> </u>	1/2 (16)
EZD211- <u> </u>	3/4 (21)
EZD311- <u> </u>	1 (27)
EZD411- <u> </u>	1-1/4 (35)
EZD511- <u> </u>	1-1/2 (41)
EZD611- <u> </u>	2 (53)

Metric size designator (ANSI C80.1-1994).

Cat. No.	Colour
EYS1-	<u> </u> = space for colour identifier
	G = Grey
	W = White
	B = Blue
Custom colours also available - Std. min. quantities are required. Please contact your Regional Sales Office.	

Ensures Proper Functioning of EYS Sealing Fittings

Chico™ Sealing Compound and Fiber

- Sealing compound mixes with water, pours easily and hardens in 60 — 70 minutes
- Fiber filler mineral wool holds sealing compound in place while it hardens



FIBER-X6



SEAL-A3

OCAL-BLUE™ Double-Coat EYS Sealing Fittings require fiber filler and sealing compound to function properly. Use Chico™ X Fiber Filler to form a dam around the sealing fitting's integral bushing, as well as at the end of the conduit and around conductors entering the hub. Chico™ A Sealing Compound expands slightly while hardening and bonds to the inner walls of the sealing fitting.

Cat. No.	Description
SEAL-A3	Chico™ A Sealing Compound, 1 lb. net wt./23 cu.in. vol.
FIBER-X6	Chico™ X Fiber Filler, 8 oz.
SEALKIT-A4	Chico™ A Sealing Compound, 1 lb. net wt./23 cu.in. vol., with 1 oz. Chico™ X Fiber Filler

Chico™ is a trademark of Cooper Technologies Company.

Hazardous Location Fittings

Explosion-Proof, Dust-Ignition Proof Three-Piece Couplings

OCAL-BLUE™ Double-Coat Conduit Unions

- Install in threaded thick-wall conduit systems in hazardous areas
- Use UNY male unions to connect conduit to a conduit fitting, junction box or device enclosure
- Use UNF female unions to connect conduit to conduit or to provide means for future modifications to the conduit system
- Nominal 0.002 in. (2 mils) blue urethane on interior and exterior
- Nominal 0.040 in. (40 mils) PVC coating bonded to exterior
- Pressure-sealing sleeves protect your connection
- Explosion-proof, dust-ignition proof and suitable for use in the following environments:[†]
 - Class I, Divisions 1 & 2, Groups A, B, C and D
 - Class II, Division 1, Groups E, F and G
 - Class III, Divisions 1 & 2



UNY Male 1/2 - 4 in.
(shown uncoated)



UNY Male 5 - 6 in.
(shown uncoated)



UNF Female 1/2 - 4 in.
(shown uncoated)



UNF Female 5 - 6 in.
(shown uncoated)

UNF205-G



UNY Male Unions

Cat. No.	Pipe Size in. (mm)	Overall Length in. (mm)	Overall Diameter in. (mm)
UNY105- ₋	1/2 (16)	2.39 (60.71)	1.50 (38.10)
UNY205- ₋	3/4 (21)	2.44 (61.98)	1.81 (38.10)
UNY305- ₋	1 (27)	2.75 (69.85)	2.00 (50.80)
UNY405- ₋	1-1/4 (35)	3.06 (77.72)	2.75 (69.85)
UNY505- ₋	1-1/2 (41)	3.63 (92.20)	3.06 (77.72)
UNY605- ₋	2 (53)	3.50 (88.90)	3.81 (96.77)
UNY705- ₋	2-1/2 (63)	4.81 (122.17)	4.31 (109.47)
UNY805- ₋	3 (78)	5.34 (135.64)	5.06 (128.52)
UNY905- ₋	3-1/2 (91)	5.50 (139.70)	5.69 (144.53)
UNY1005- ₋	4 (103)	5.63 (143.00)	6.19 (157.23)
UNY012- ₋	5 (129)	5.25 (133.35)	8.19 (208.03)
UNY014- ₋	6 (155)	5.38 (136.65)	9.31 (236.47)

Metric size designator (ANSI C80.1-1994).

UNF Female Unions

Cat. No.	Pipe Size in. (mm)	Overall Length in. (mm)	Overall Diameter in. (mm)
UNF105- ₋	1/2 (16)	1.88 (47.75)	1.50 (38.10)
UNF205- ₋	3/4 (21)	2.13 (54.10)	1.81 (45.97)
UNF305- ₋	1 (27)	2.16 (54.86)	2.00 (50.80)
UNF405- ₋	1-1/4 (35)	2.25 (57.15)	2.75 (69.85)
UNF505- ₋	1-1/2 (41)	2.75 (69.85)	3.06 (77.72)
UNF605- ₋	2 (53)	2.50 (63.50)	3.81 (96.77)
UNF705- ₋	2-1/2 (63)	3.50 (88.90)	4.31 (109.47)
UNF805- ₋	3 (78)	4.00 (101.60)	5.06 (128.52)
UNF905- ₋	3-1/2 (91)	4.16 (105.66)	5.69 (144.53)
UNF1005- ₋	4 (103)	4.25 (107.95)	6.19 (157.23)
UNF012- ₋	5 (129)	3.81 (96.77)	8.19 (208.03)
UNF014- ₋	6 (155)	3.81 (96.77)	9.31 (236.47)

[†] Ratings prior to PVC coating.

Cat. No.	Material	Colour
UNF105- ₋	SA = Aluminum	_ = space for colour identifier G = Grey W = White B = Blue R = Red
Custom colours also available - Std. min. quantities are required. Please contact your Regional Sales Office.		