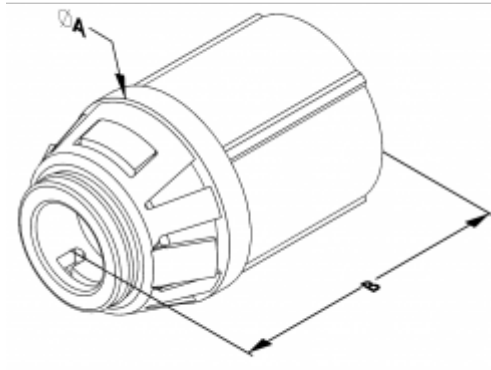
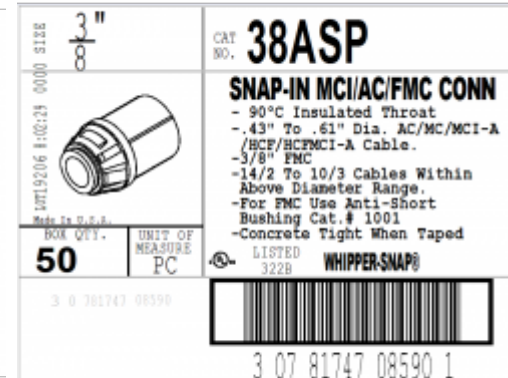


3/8" E-Z LOCK® Snap-in Connectors

Recommended cable types 14/2 to 10/3 (.43"-.61" Dia.) Steel or Aluminum AC/MC/MCI-A/HCF/HCFMCI-A . Also listed for use with 3/8" FMC. Sim assembly into electrical box. Integral internal spring steel locking tabs fasten cable or conduit. Suitable for maintaining grounding continuity when i


[Download Photo](#)

[Download Drawing](#)

[Download Drawing](#)

Product details

Catalog Number:	38ASP
UPC Number:	78174708590
Primary Materials:	Zinc Die Cast
Trade Size:	3/8"
Unit Quantity:	50
Standard Package Quantity:	500

Dimensions

Trade Size:	3/8"
Dimensions A:	0.469
Dimensions B:	1.421

Certifications & Codes

Federal Specification Number: A-A-50552

UL File Number: E20534

UNSPSC: 39121438

Nema Standard: FB-1

UL Standard: UL-514B