

Submittal Package

viega



Viega® PureFlow Press Polymer Fittings for Use with Viega PureFlow Tubing

Project: _____

Engineer: _____

Contractor: _____

Submitted By: _____

- Potable Water
- Residential Fire Sprinkler
- Other _____

Submittal Package



Viega® PureFlow Press Polymer Fittings for Use with Viega PureFlow PEX Tubing

Technical Data

Materials:

Fittings	Radel R® polymer
Press Sleeves	304 Stainless Steel
PureFlow Press Polymer Manifolds	Radel R® polymer
Viega PureFlow PEX Tubing	PEX (crosslinked polyethylene)
FostaPEX Tubing	PEX base tubing with aluminum and PE outer layers

Applications

Viega PureFlow Press Polymer fittings are intended for use in potable water systems, hydronic heating or snow melting applications, and residential fire sprinkler systems meeting the NFPA 13D*. These fittings incorporate Smart Connect® technology and attached stainless steel press sleeves with tool locator ring to be used as connections for Viega PureFlow PEX, Viega Barrier, and FostaPEX® tubing in 3/8", 1/2", 3/4", 1", 1 1/4", 1 1/2" and 2" sizes as available. The connections are to be completed with the aid of a Viega PureFlow Press Hand Tool or Viega PureFlow Press Power Tool.

Installation

- Use only Viega PureFlow PEX tubing and approved tools to make connections
- Keep flame and excessive heat away from tubing and connections.
- Refer to the Viega PureFlow Water Systems Installation Manual for additional information.

Certifications

cNSF®us pw

- NSF International Performance and Health Effects (Standards 14 & 61)
- NSF certified to CSA B137.5 (Canadian Standards Association)

NSF Certified to NSF-U.P. Code

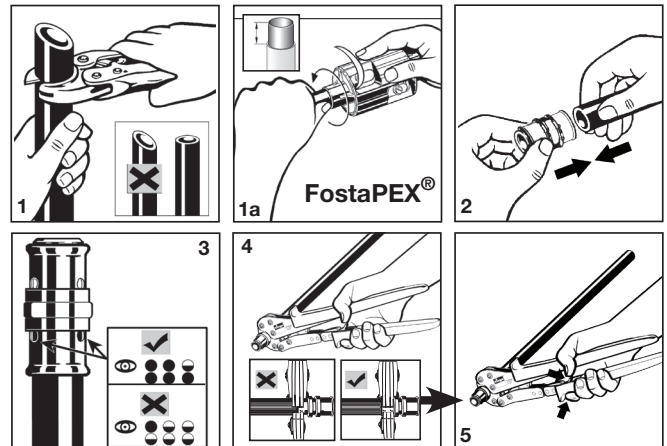
- Approved for Uniform Plumbing Code, listed to ASTM F876 / F877



- ICC ES-PMG™ 1038 / 1015 plumbing and heating systems



- UL certified to UL 1821 listing (130 psi @ 120°F) for use in multipurpose residential fire sprinkler systems per NFPA 13D*.



* Viega PureFlow PEX Black in 3/4" through 2" sizes only.

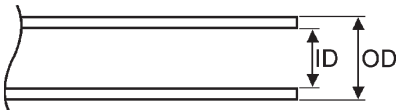
Submittal Package



Viega® PureFlow Press Polymer Fittings for Use with Viega PureFlow PEX Tubing

Viega PureFlow PEX Tubing

Material.....PEX crosslinked polyethylene
 Temperature/Pressure Ratings...200°F at 80 psi
 180°F at 100 psi
 73.4°F at 160 psi
 Linear Expansion Rate.....1.1 in./100 ft./10°F



Nominal Size	Inner Diameter	Outer Diameter	Wall Thickness
3/8"	0.350	0.500±.003	0.070±.010
1/2"	0.475	0.625±.004	0.070±.010
3/4"	0.671	0.875±.004	0.097±.010
1"	0.863	1.125±.005	0.125±.013
1 1/4"	1.053	1.375±.005	0.153±.015
1 1/2"	1.243	1.625±.006	0.181±.019
2"	1.629	2.125±.006	0.236±.024

FostaPEX Tubing

Material.....PEX crosslinked polyethylene with aluminum and PE outer layers
 Temperature/Pressure Ratings...200°F at 80 psi
 180°F at 100 psi
 73.4°F at 160 psi
 Linear Expansion Rate.....0.16 in./100 ft./10°F



Nominal Size	Inner Diameter	Outer Diameter	Wall Thickness
1/2"	0.475	0.625±.004	0.070±.010
3/4"	0.671	0.875±.004	0.097±.010
1"	0.863	1.125±.005	0.125±.013

NOTE: Dimensions are in English units. Tolerances shown are ASTM requirements. FostaPEX is manufactured within these specifications. (These dimensions do not reflect the outer aluminum and PE layers.)

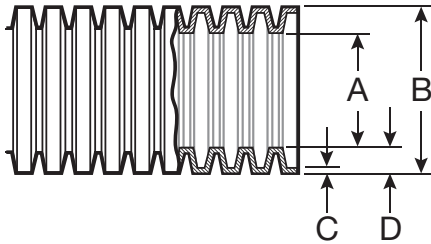
Submittal Package



Viega® PureFlow Press Polymer Fittings for Use with Viega PureFlow PEX Tubing

Viega PureFlow PEX tubing with corrugated sleeving

Material..... PEX crosslinked polyethylene with polypropylene sleeve
 Temperature/Pressure Ratings..... 200°F at 80 psi, 180°F at 100 psi, 73.4°F at 160 psi
 Linear Expansion Rate 1.1 in./100 ft./10°F



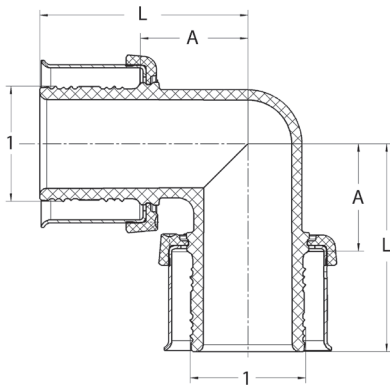
Part No.	Size	Color	A (in)	B (in)	C (in)	D (in)
32812	1/2" x 300'	Red	1.03	1.27	0.03	0.12
32813		Blue	1.03	1.27	0.03	0.12
32810	3/4" x 300'	Red	1.22	1.47	0.04	0.13
32811		Blue	1.22	1.47	0.04	0.13

NOTE: Viega PureFlow PEX inside sleeve will have dimensions consistent with those listed previously under Viega PureFlow PEX tubing.

Submittal Package

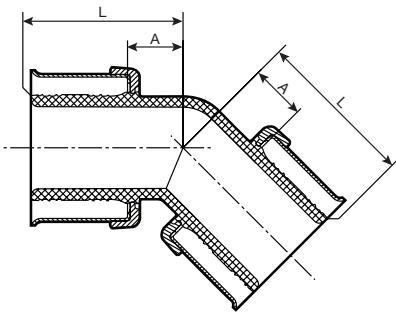
viega

Viega® PureFlow Press Polymer Fittings for Use with Viega PureFlow PEX Tubing



PureFlow Press 90° Elbow Zero Lead Polymer - Model V5616

Part No	Size	A (in)	L (in)
	1		
49210	3/8"	0.51	1.11
49220	1/2"	0.51	1.11
49240	3/4"	0.68	1.271
49260	1"	0.77	1.52
49270	1 1/4"	0.98	2.08
49280	1 1/2"	1.09	2.19
49290	2"	1.65	2.72



PureFlow Press 45° Elbow Zero Lead Polymer - Model V5626

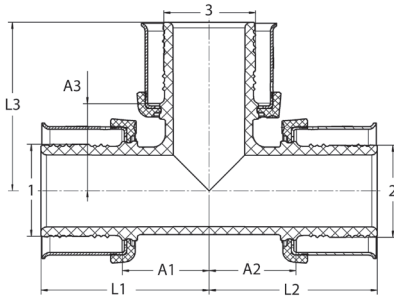
Part No	Size	A (in)	L (in)
	1		
49285	1 1/2"	0.66	1.75
49286	2"	0.96	2.03

Submittal Package

viega



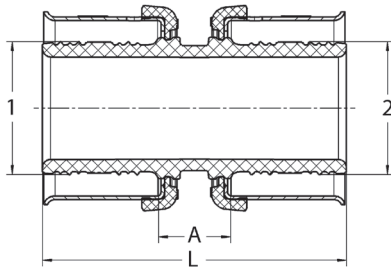
PureFlow Press Tee Zero Lead Polymer - Model V5618



Part No	Size			A1 (in)	A2 (in)	A3 (in)	L1 (in)	L2 (in)	L3 (in)
	1	2	3						
49200	3/8"			0.51	0.51	0.51	1.11	1.11	1.11
49322	1/2" x 3/8" x 3/8"			0.49	0.44	0.54	1.09	1.04	1.13
49332	1/2" x 1/2" x 3/8"			0.49	0.49	0.54	1.09	1.09	1.13
49520	1/2"			0.51	0.51	0.51	1.11	1.11	1.11
49334	1/2" x 1/2" x 3/4"			0.67	0.67	0.60	1.26	1.26	1.19
49433	3/4" x 1/2" x 1/2"			0.59	0.49	0.69	1.18	1.09	1.28
49443	3/4" x 3/4" x 1/2"			0.59	0.59	0.69	1.18	1.18	1.28
49434	3/4" x 1/2" x 3/4"			0.71	0.71	0.71	1.30	1.30	1.30
49540	3/4"			0.71	0.71	0.71	1.30	1.30	1.30
49533	1" x 1/2" x 1/2"			0.59	0.49	0.74	1.34	1.09	1.34
49543	1" x 3/4" x 1/2"			0.60	0.59	0.74	1.35	1.18	1.34
49544	1" x 3/4" x 3/4"			0.71	0.65	0.85	1.47	1.25	1.44
49535	1" x 1/2" x 1"			0.81	0.79	0.81	1.56	1.36	1.56
49545	1" x 3/4" x 1"			0.84	0.77	0.84	1.59	1.37	1.59
49553	1" x 1" x 1/2"			0.58	0.58	0.74	1.34	1.34	1.34
49554	1" x 1" x 3/4"			0.71	0.71	0.84	1.47	1.47	1.44
49560	1"			0.71	0.71	0.71	1.47	1.47	1.47
49754	1 1/4" x 1" x 3/4"			0.73	0.67	0.93	1.82	1.42	1.53
49755	1 1/4" x 1" x 1"			0.84	0.78	0.91	1.94	1.53	1.66
49774	1 1/4" x 1 1/4" x 3/4"			0.73	0.73	0.93	1.82	1.82	1.53
49775	1 1/4" x 1 1/4" x 1"			0.84	0.84	0.91	1.94	1.94	1.66
49570	1 1/4"			0.98	0.98	0.98	2.07	2.07	2.07
49854	1 1/2" x 1" x 3/4"			0.72	0.79	1.03	1.82	1.54	1.63
49855	1 1/2" x 1" x 1"			0.85	0.91	1.03	1.94	1.67	1.78
49874	1 1/2" x 1 1/4" x 3/4"			0.77	0.77	1.04	1.82	1.82	1.63
49875	1 1/2" x 1 1/4" x 1"			0.90	0.90	1.06	1.94	1.94	1.79
49877	1 1/2" x 1 1/4" x 1 1/4"			1.02	1.02	1.11	2.06	2.06	2.16
49884	1 1/2" x 1 1/2" x 3/4"			0.72	0.72	1.03	1.82	1.82	1.60
49885	1 1/2" x 1 1/2" x 1"			0.85	0.85	1.04	1.94	1.94	1.78
49887	1 1/2" x 1 1/2" x 1 1/4"			0.97	0.97	1.07	2.06	2.06	2.15
49580	1 1/2"			1.09	1.09	1.09	2.18	2.18	2.18
49984	2" x 1 1/2" x 3/4"			1.07	1.10	1.42	2.14	2.15	1.99
49985	2" x 1 1/2" x 1"			1.07	1.10	1.41	2.14	2.15	2.15
49987	2" x 1 1/2" x 1 1/4"			1.25	1.10	1.50	2.33	2.15	2.50
49988	2" x 1 1/2" x 1 1/2"			1.25	1.21	1.46	2.33	2.26	2.50
49994	2" x 2" x 3/4"			0.98	0.98	1.50	2.06	2.06	2.05
49995	2" x 2" x 1"			1.10	1.10	1.53	2.17	2.17	2.26
49997	2" x 2" x 1 1/4"			1.25	1.25	1.50	2.33	2.33	2.54
49998	2" x 2" x 1 1/2"			1.37	1.37	1.46	2.45	2.45	2.50
49590	2"			1.65	1.65	1.65	2.72	2.72	2.72

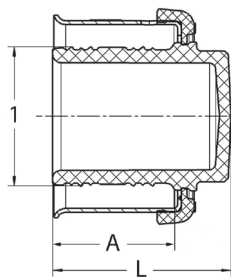
Submittal Package

viega



PureFlow Press Coupling Zero Lead Polymer - Model V5615

Part No	Size		A (in)	L (in)
	1	2		
49402		3/8"	0.47	1.66
49342		1/2" x 3/8"	0.42	1.61
49403		1/2"	0.47	1.66
49404		3/4"	0.47	1.66
49343		3/4" x 1/2"	0.43	1.62
49354		1" x 3/4"	0.47	1.82
49405		1"	0.47	1.98
49347		1 1/4" x 3/4"	0.65	2.34
49357		1 1/4" x 1"	0.48	2.33
49407		1 1/4"	0.51	2.69
49348		1 1/2" x 3/4"	0.69	2.37
49358		1 1/2" x 1"	0.62	2.47
49378		1 1/2" x 1 1/4"	0.50	2.69
49408		1 1/2"	0.51	2.69
49398		2" x 1 1/2"	1.05	3.16
49409		2"	1.02	3.16

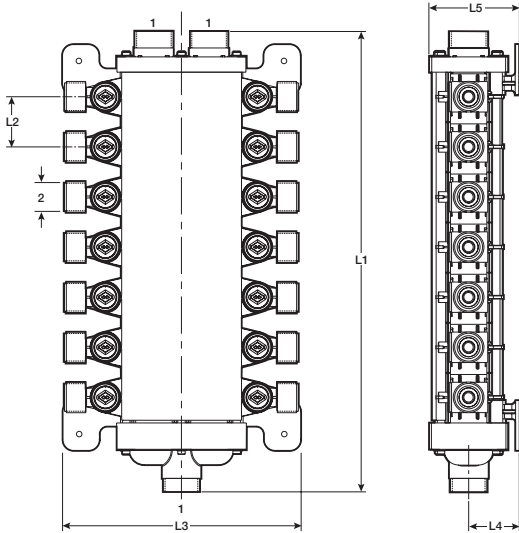


PureFlow Press Test Plug Zero Lead Polymer - Model V5656

Part No	Size		A (in)	L (in)
	1			
49722		3/8"	0.60	0.95
49723		1/2"	0.60	0.95
49744		3/4"	0.60	0.95
49765		1"	0.75	1.10
49770		1 1/4"	1.10	1.46
49780		1 1/2"	1.10	1.46
49790		2"	1.07	1.93

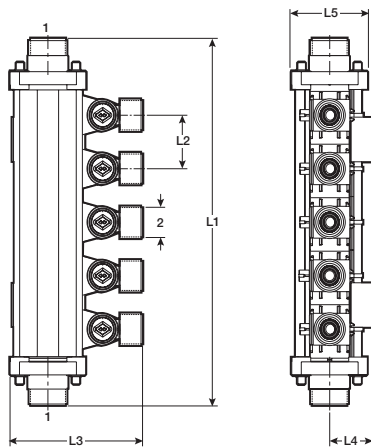
Submittal Package

viega



ManaBloc Distribution Manifold Zero Lead Press - Model V5630

Part Number	Size		Ports	L1	L2	L3	L4	L5
	1	2						
49143	1" x 5/8"	NPSM	14	15.44"	1.68"	8.00"	1.70"	3.00"
49183	1" x 5/8"	NPSM	18	18.80"	1.68"	8.00"	1.70"	3.00"
49243	1" x 5/8"	NPSM	24	23.78"	1.68"	8.00"	1.70"	3.00"
49303	1" x 5/8"	NPSM	30	28.88"	1.68"	8.00"	1.70"	3.00"
49363	1" x 5/8"	NPSM	36	33.92"	1.68"	8.00"	1.70"	3.00"



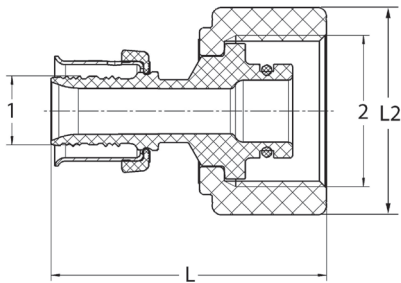
MiniBloc Zoning Manifold Zero Lead Press - Models V5650, V5660

Part Number	Size		Ports	L1	L2	L3	L4	L5
	1	2						
49033	1" x 5/8"	NPSM	3	8.19"	1.68"	4.37"	1.42"	4.75"
49043	1" x 5/8"	NPSM	4	9.87"	1.68"	4.37"	1.42"	4.75"
49453*	1" x 5/8"	NPSM	5	11.55"	1.68"	4.37"	1.42"	4.75"
49063	1" x 5/8"	NPSM	6	13.23"	1.68"	4.37"	1.42"	4.75"
49473*	1" x 5/8"	NPSM	7	14.91"	1.68"	4.37"	1.42"	4.75"
49083	1" x 5/8"	NPSM	8	16.59"	1.68"	4.37"	1.42"	4.75"
49410*	1" x 5/8"	NPSM	10	19.95"	1.68"	4.37"	1.42"	4.75"

*Manifold incorporates hot and cold ports.

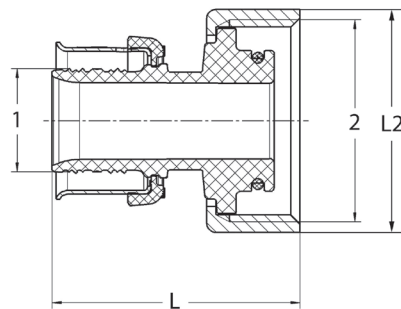
Submittal Package

viega



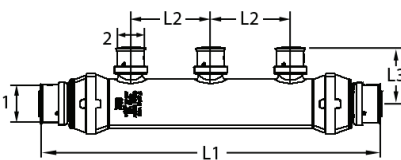
PureFlow Press Port Adapter Zero Lead Polymer P x Port - Model V5613.1

Part No	Size		L (in)	L2 (in)
	1	2		
49234	1/2" x 1/2" Port		1.89	1.40
49224	3/8" x 1/2" Port		1.89	1.40



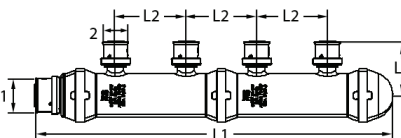
PureFlow Press Supply Adapter Zero Lead Polymer for ManaBloc P x Supply - Model V5613.2

Part No	Size		L (in)	L2 (in)
	1	2		
49414	3/4" x 1" MANABLOC		1.59	1.45
49416	1" x 1" MANABLOC		1.75	1.45



PureFlow Press Manifold Zero Lead Polymer Flow Through - Model V5636

Part No	Size		L1 (in)	L2 (in)	L3 (in)
	1	2			
49152	3/4" x 1/2" (2 outlets)		6.58	2.00	1.42
49153	3/4" x 1/2" (3 outlets)		8.58	2.00	1.42
49054	3/4" x 1/2" (4 outlets)		10.58	2.00	1.42
49254	1" x 3/4" x 1/2" (4 outlets)		10.72	2.00	1.42
49256	1" x 1/2" (6 outlets)		14.85	2.00	1.42
49258	1" x 1/2" (8 outlets)		18.85	2.00	1.42

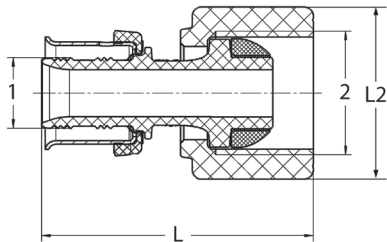


PureFlow Press Manifold Zero Lead Polymer Closed - Model V5636.1

Part No	Size		L1 (in)	L2 (in)	L3 (in)
	1	2			
49004	3/4" x 1/2" (4 outlets)		10.14	2.00	1.42
49206	1" x 1/2" (6 outlets)		14.27	2.00	1.42

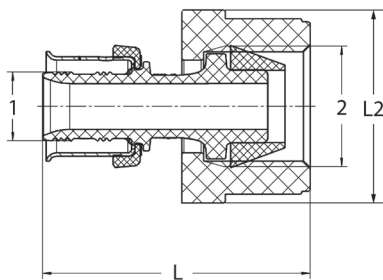
Submittal Package

viEGA



PureFlow Press Lav Adapter Zero Lead Polymer P x Lav - Model V5613.3

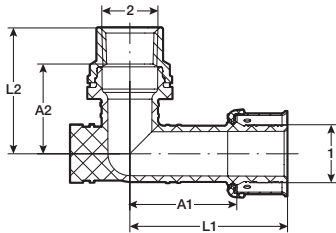
Part No	Size	L (in)	L2 (in)
	1 2		
49324	3/8" x 1/2" Lav	1.82	1.15
49333	1/2" x 1/2" Lav	1.82	1.15
49344	3/4" x 3/4" Lav	1.78	1.15



PureFlow Press Closet Adapter Zero Lead Polymer P x Closet - Model V5613.4

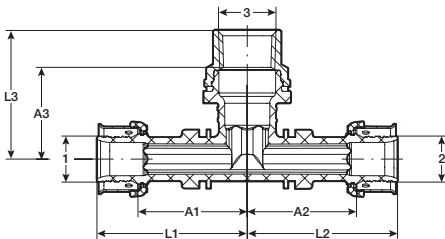
Part No	Size	L (in)	L2 (in)
	1 2		
49223	3/8" x 1/2" Closet	1.84	1.3
49233	1/2" x 1/2" Closet	1.84	1.3

Submittal Package



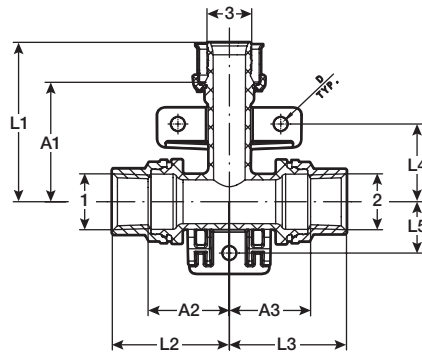
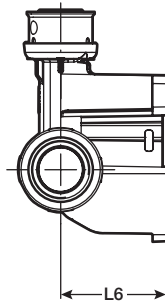
PureFlow Press 90° Elbow Zero Lead Polymer for Fire Sprinkler Systems P x FPT - Model V5645ZL

Part No	Size		A1 (in)	A2 (in)	L1 (in)	L2 (in)
	1	2				
49135	3/4"	1/2" FPT	1.59	1.33	2.19	1.87
49145	1"	1/2" FPT	1.59	1.33	2.34	1.87



PureFlow Press Tee Zero Lead Polymer for Fire Sprinkler Systems P x P x FPT - Model V5642ZL

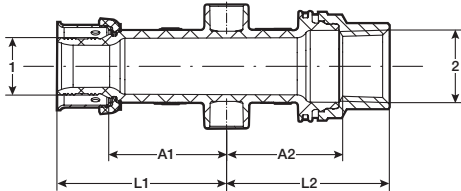
Part No	Size			A1 (in)	A2 (in)	A3 (in)	L1 (in)	L2 (in)	L3 (in)
	1	2	3						
49120	3/4"	3/4"	1/2" FPT	1.59	1.59	1.33	2.19	2.19	1.87
49130	1"	3/4"	1/2" FPT	1.59	1.59	1.33	2.34	2.19	1.87
49140	1"	1"	1/2" FPT	1.59	1.59	1.33	2.34	2.34	1.87



PureFlow Press Wall Tee Zero Lead Polymer for Fire Sprinkler Systems FPT x FPT x P - Model V5641ZL

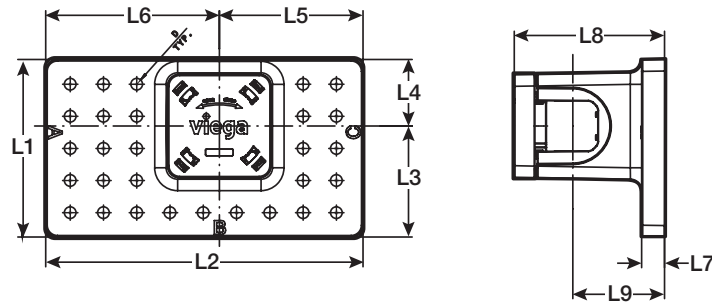
Part No	Size			A1 (in)	A2 (in)	A3 (in)	L1 (in)	L2 (in)	L3 (in)	L4 (in)	L5 (in)	L6 (in)	D (in)
	1	2	3										
49100	1/2"	1/2"	3/4"	1.79	1.21	1.21	2.38	1.75	1.75	1.16	0.77	1.57	0.20
49110	1/2"	1/2"	1"	1.79	1.21	1.21	2.54	1.75	1.75	1.16	0.77	1.57	0.20

Submittal Package



PureFlow Press Adapter Zero Lead Polymer for Fire Sprinkler Systems P x FPT - Model V5644ZL

Part No	Size	A1 (in)	A2 (in)	L1 (in)	L2 (in)
	1 2				
49132	3/4" x 1/2" FPT	1.35	1.33	1.95	1.87



PureFlow Press Replacement Bracket, Plastic, for Fire Sprinkler Systems - Model V5643ZL

Part No	L1 (in)	L2 (in)	L3 (in)	L4 (in)	L5 (in)	L6 (in)	L7 (in)	L8 (in)	L9 (in)	D (in)
49150	3.05	5.44	1.91	1.14	2.46	2.98	0.39	2.58	1.57	0.20

Viega products are designed to be installed by licensed and trained plumbing and mechanical professionals who are familiar with Viega products and their installation. **Installation by non-professionals may void Viega LLC's warranty.**

This document is subject to updates. For the most current Viega technical literature please visit www.viega.us.

Viega LLC • 585 Interlocken Blvd. • Broomfield, CO 80021 • Phone (800) 976-9819 • www.viega.us