

SPECIFICATION & FEATURES

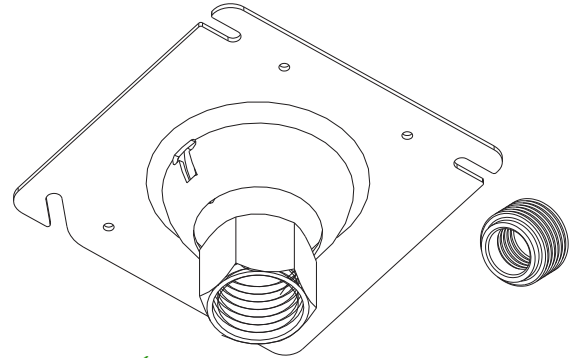
4" SWIVEL-TYPE COVER PLATES

DESCRIPTION:

Orbit Industries' 4" Swivel-Type Cover Plates complies with NEC 314.27(A)(D) for up to 90 lbs. of fixture load. The plates allow a maximum swivel angle of 20 degrees. Optional 1/2" Conduit Adapter Included.

CERTIFICATION:

UL file E227970, conforms to UL514A.



FEATURES

General:

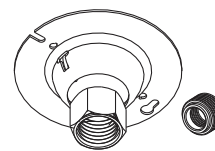
20° Swivel Angle
Optional 1/2" Conduit Adapter Included

DIMENSIONS

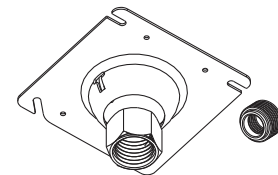
4" Round or 4" Square

CONFIGURATION DATA

Catalog No.	Description	Swivel Thread Size	Std. Pkg.
SCR-75	4" Round Swivel-Type Cover	3/4" Plus 1/2" Reducing Bushing	25
SCS-75	4" Square Swivel-Type Cover	3/4" Plus 1/2" Reducing Bushing	25



SCR-75



SCS-75

