

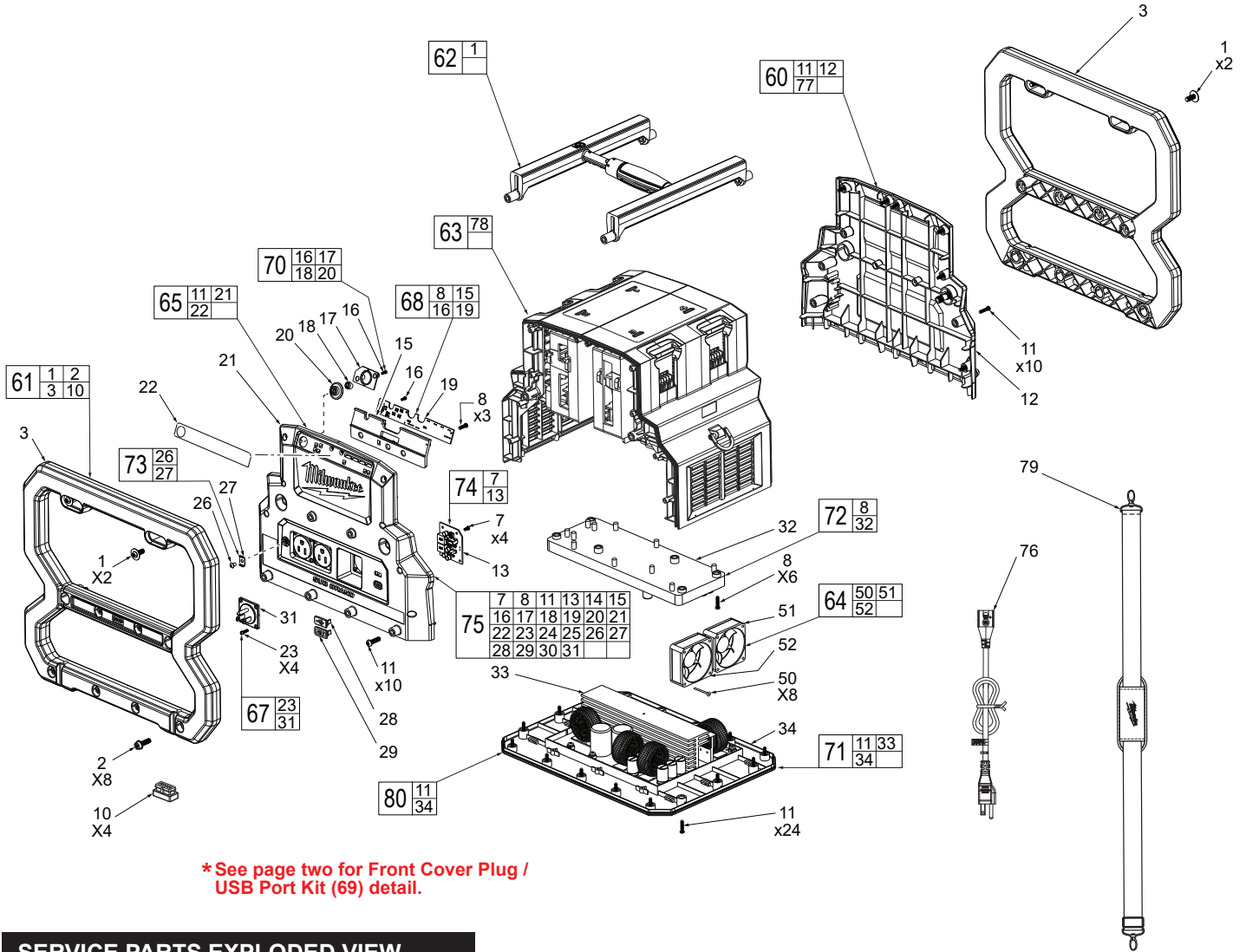


SERVICE PARTS LIST

BULLETIN NO.
54-07-2845

SPECIFY CATALOG NO. AND SERIAL NO. WHEN ORDERING PARTS		REVISED BULLETIN	DATE
M18™ CARRY-ON™ 3600W/1800W Power Supply			Feb. 2023
CATALOG NO. 2845-20	STARTING SERIAL NO. M30A and B	WIRING INSTRUCTION Pages 3 thru 4	

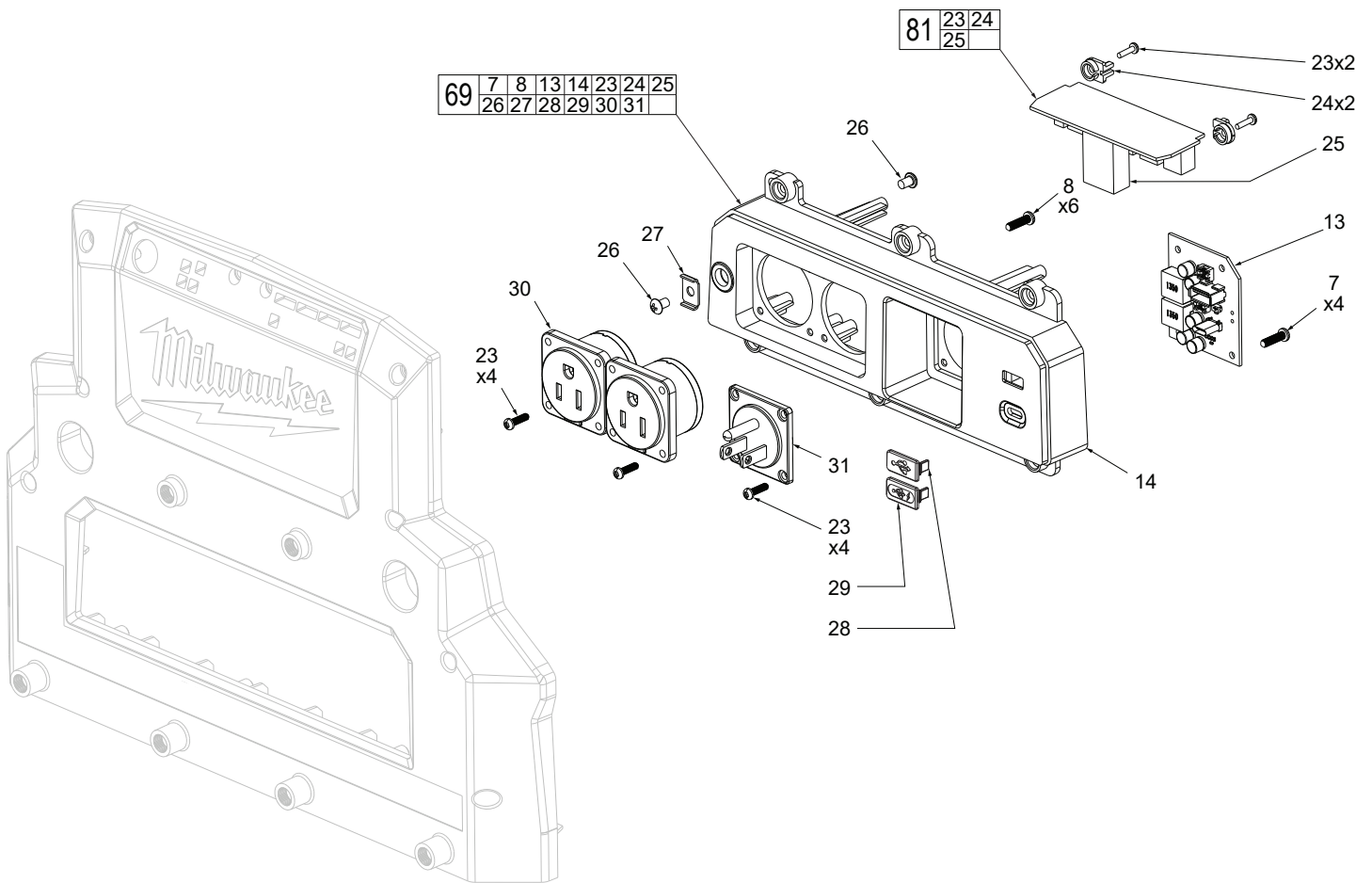
EXAMPLE:
Component Parts (Small #) Are Included
When Ordering The Assembly (Large #).



* See page two for Front Cover Plug /
USB Port Kit (69) detail.

SERVICE PARTS EXPLODED VIEW

FIG.	PART NO.	DESCRIPTION OF PART	NO. REQ.	FIG.	PART NO.	DESCRIPTION OF PART	NO. REQ.
1	05-74-0490	M6 x 15 Screw	4	51	-----	Fan 1	1
2	05-74-0491	M6 x 20 Screw	16	52	-----	Fan 2	1
3	-----	Roll Cage	2	60	31-44-0463	Rear Housing Kit	1
7	05-74-0492	PA3 x 8 Screw	4	61	42-46-0022	Roll Cage Kit	1
8	05-74-0493	PA3.5 x 14 Screw	9	62	31-44-0476	H Handle Kit	1
10	44-34-0037	Rubber Foot	4	63	31-44-0477	Main Housing Assembly	1
11	05-74-0494	PA3.5 x 20 Screw	44	64	22-84-0020	Fan Kit	1
12	-----	Rear Cover	1	65	31-44-0478	Front housing	1
13	-----	USB Module	1	66	-----	IMD Lens Kit	1
15	-----	PCBA Bracket	1	* 67	31-12-0069	AC Plug In Socket Kit	1
16	05-74-0495	PA2.5 x 8 Screw	4	68	14-20-0369	HMI PCBA Kit	1
17	-----	Key Cap 1	1	69	31-15-0157	Front Cover Plug / USB Port Kit	1
18	-----	Key Cap 2	1	70	42-42-0148	HMI Button Kit	1
19	-----	HMI Board Module	1	71	23-37-0015	Inverter PCBA Kit	1
20	-----	Button	1	72	14-20-0434	Control PCBA Kit	1
21	-----	Front Cover	1	73	43-92-0010	Bonding Lug Kit	1
22	44-06-0073	IMD Lens	1	74	31-15-0232	USB PCBA Kit	1
23	05-74-0496	PA3 x 12 Screw	4	75	31-44-0479	Front Housing Kit	1
26	05-74-0497	M4 x 10 Screw	2	76	22-64-0217	Power Cord	1
27	-----	Gasket	1	77	12-20-0186	Service Nameplate (Not Shown)	1
28	22-68-0051	USB-A Cover	1	78	10-20-7142	Warning Label (Not Shown)	1
29	22-68-0052	USB-C Cover	1	79	49-16-2845	Shoulder Strap (Accessory)	1
31	-----	AC Plug	1	80	22-68-0037	Bottom Cover Kit	1
32	-----	Control Board Module	1				
33	-----	Inverter Module	1				
34	-----	Bottom Cover	1				
50	05-74-0498	PA3 x 35 Screw	1				



SERVICE PARTS EXPLODED VIEW

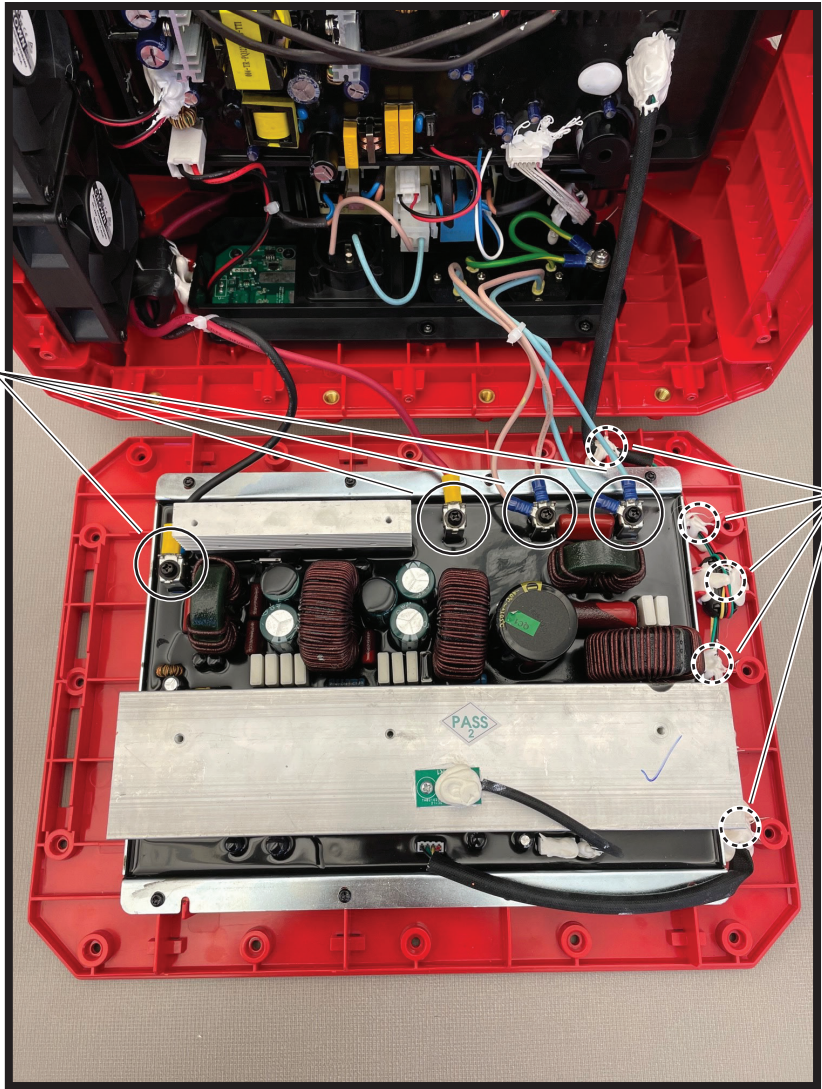
FIG.	PART NO.	DESCRIPTION OF PART	NO. REQ.
7	05-74-0492	PA3 x 8 Screw	4
8	05-74-0493	PA3.5 x 14 Screw	6
13	-----	USB Board Module	1
14	-----	Panel	1
23	05-74-0496	PA3 x 12 Screw	14
24	-----	PCBA Mounting Clip	2
25	-----	Adapter Board	1
26	05-74-0497	M4 x 10 PW Screw	2
27	-----	Gasket	1
28	22-68-0051	USB-A Cover	1
29	22-68-0052	USB-C Cover	1
30	-----	AC Plug Out	2
31	-----	AC Plug In	1
69	31-15-0157	Front Cover Plug / USB Port Kit	1
81	31-12-0281	AC Plug PCBA Kit	1

WIRE ROUTING

Follow wire orientation of Main Housing Assembly (63) wires to Inverter PCBA (71).

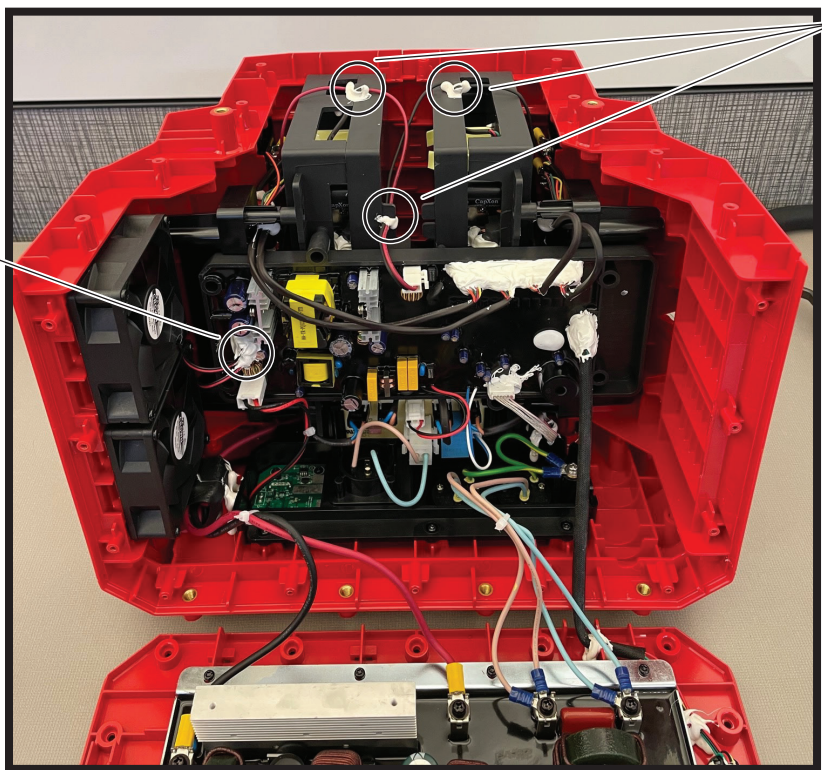


ATTENTION
OBSERVE PRECAUTIONS
FOR HANDLING
ELECTROSTATIC
SENSITIVE
DEVICES



Wire harness from Main Housing Assembly (63) will have glued connection points in key wire traps.

Fan connection points.

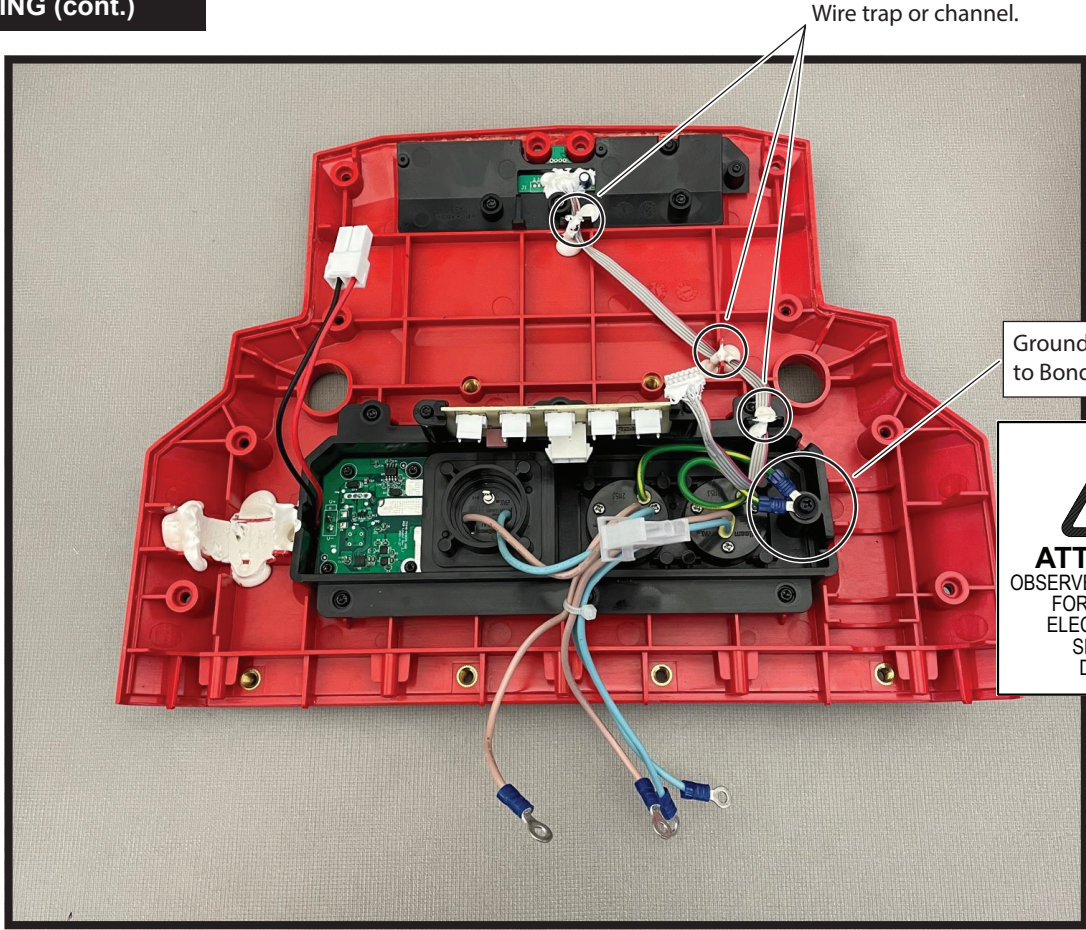


Wire trap or channel.



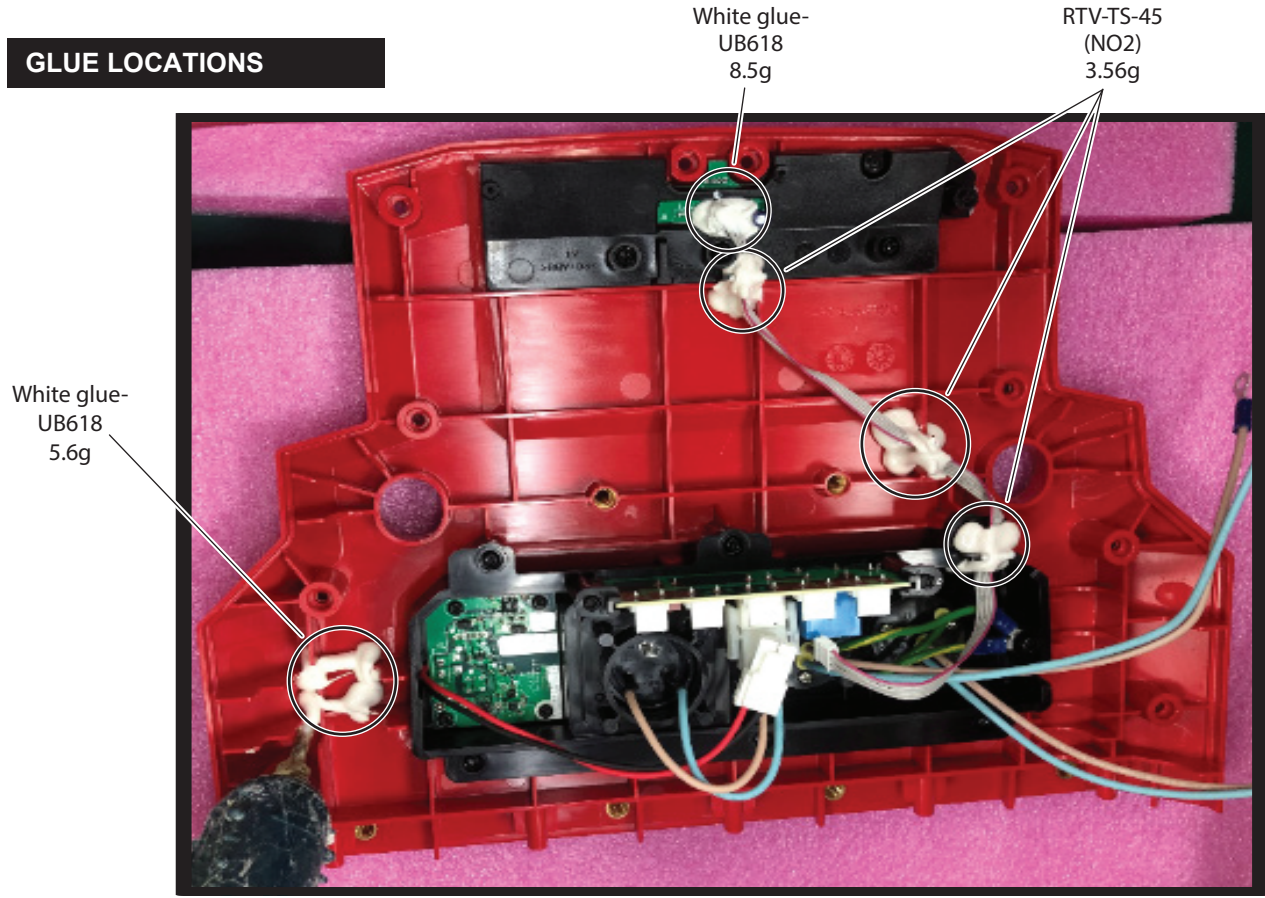
ATTENTION
OBSERVE PRECAUTIONS
FOR HANDLING
ELECTROSTATIC
SENSITIVE
DEVICES

WIRE ROUTING (cont.)



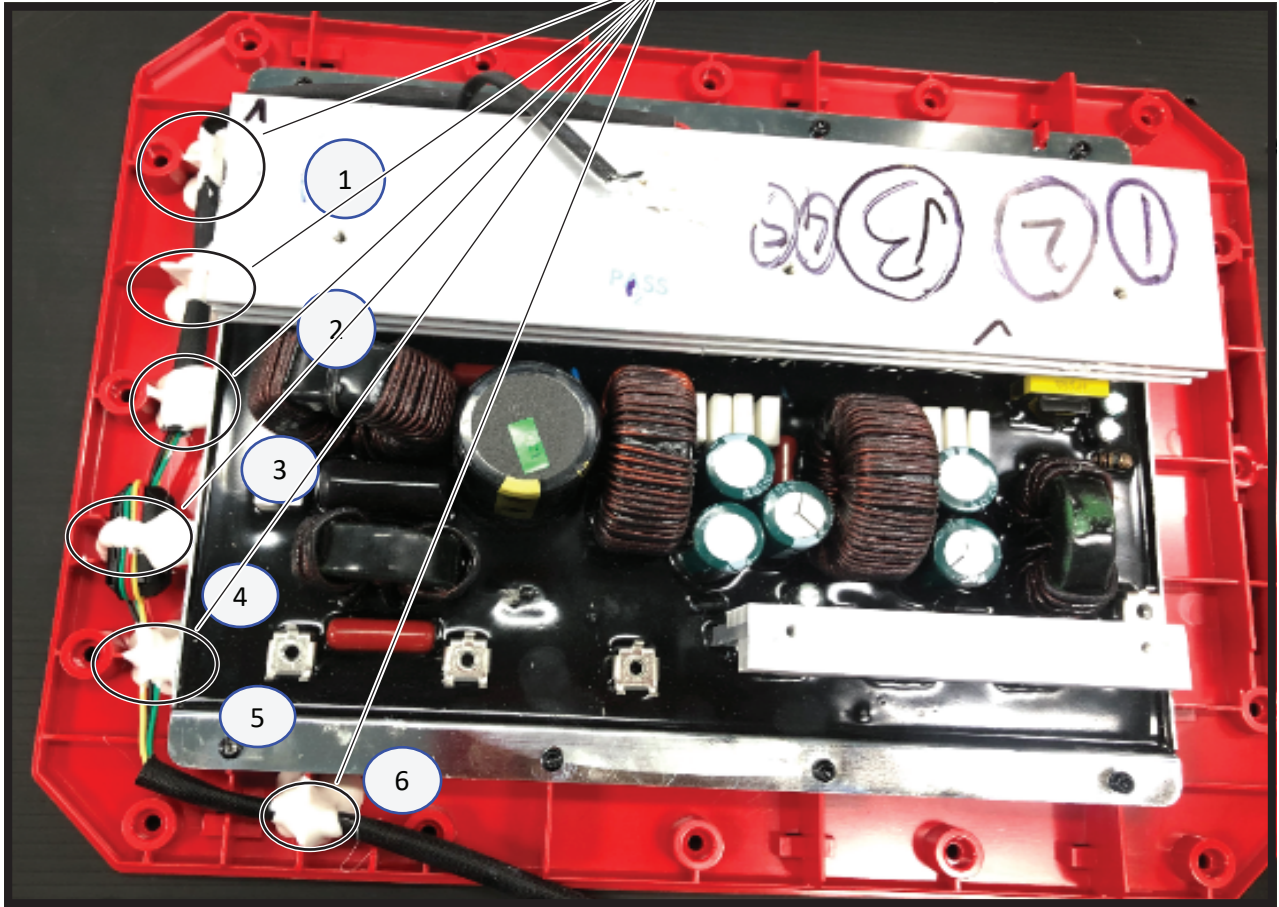
ATTENTION
OBSERVE PRECAUTIONS
FOR HANDLING
ELECTROSTATIC
SENSITIVE
DEVICES

GLUE LOCATIONS



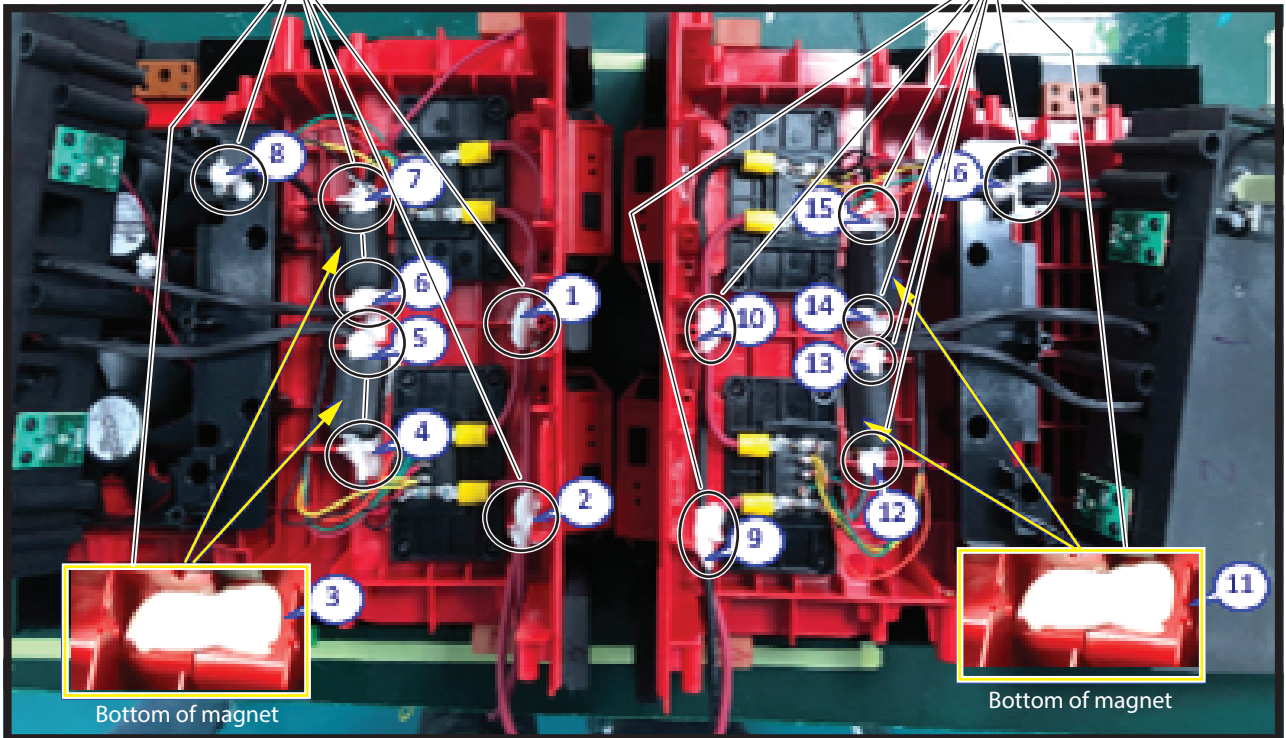
GLUE LOCATIONS (cont.)

White glue-UB618
21.55g



White glue-UB618
35.6g

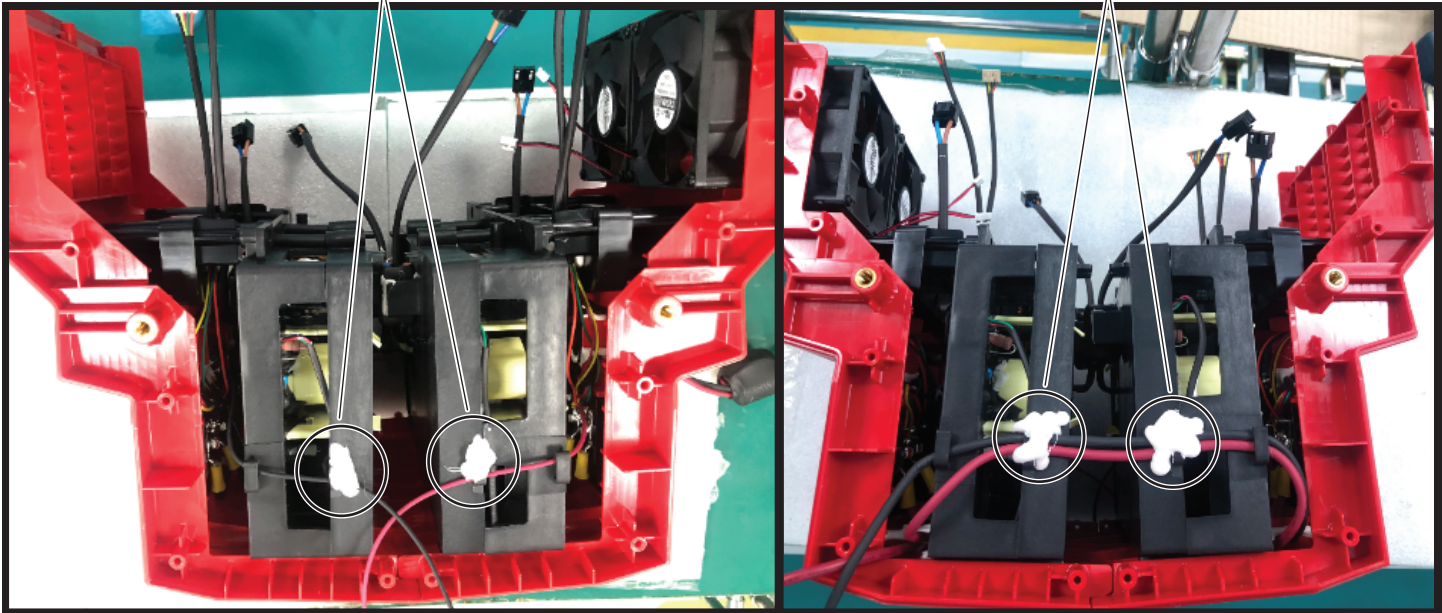
White glue-UB618
35.6g



GLUE LOCATIONS (cont.)

White glue-UB618
7.5g

White glue-UB618
7.5g



RTV-TS-45 (NO2)
30.06g

