



INT-2023

2023

INTERCEPTOR
CATALOG

HDPE INTERCEPTORS &
ACID NEUTRALIZATION TANKS



LIL-MAX

-




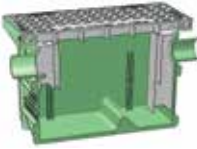

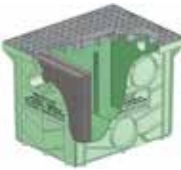
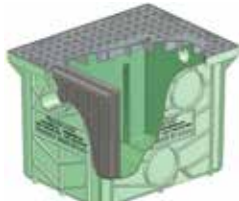
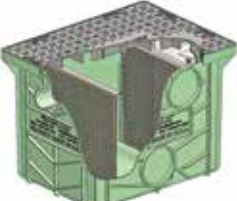
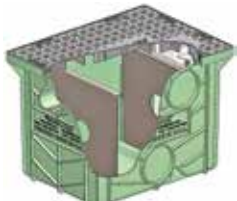
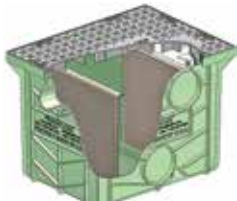
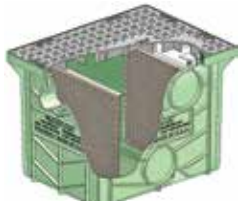
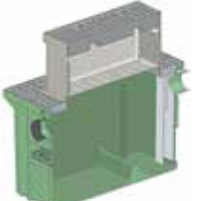
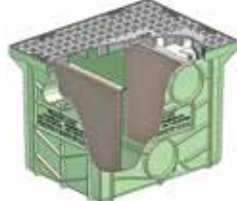

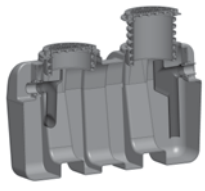
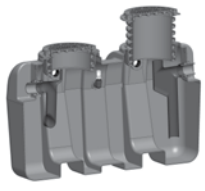
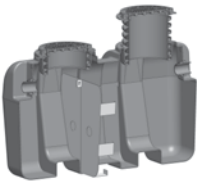
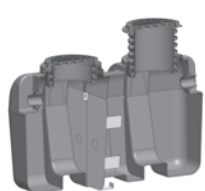
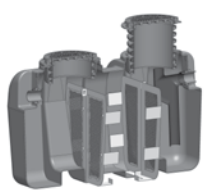
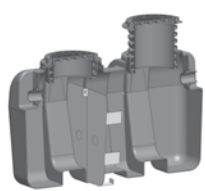
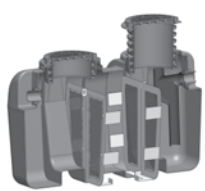
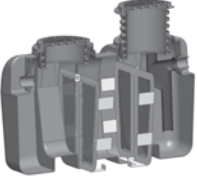
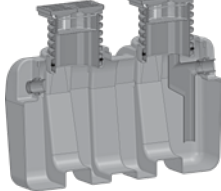
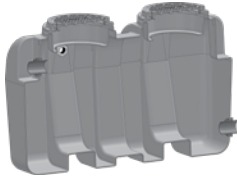
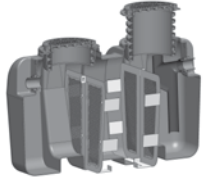


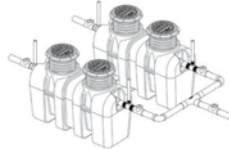


BIG-MAX

-

SUPER-MAX

LIT-095

PICTORIAL INDEX

 MINI-PL Wet Waste Interceptor (Pages 26, 27)	 FLOW SPLITTER and SAFETY SHIELD (Page 19)	 SAMPLING PORTS (Pages 20, 21)	 Lil - 7 GPM - 50 GPM Grease Interceptor (Page 32)	 Lil-O - 10 GPM - 50 GPM Oil Interceptor (Page 33)	 Lil-S - 7 GPM - 50 GPM Solids Interceptor (Page 34)
 Lil-PL - 7 and 15 GPM Plaster Interceptor (Page 35)	 Lil-L - 7 GPM - 50 GPM Lint Interceptor (Page 36)	 Lil-SA - 7 GPM - 50 GPM Sand Interceptor (Page 37)	 Lil-F - 7 GPM - 50 GPM Fish Scale Interceptor (Page 38)	 Lil-R - 7 GPM - 50 GPM Rice Interceptor (Page 39)	
 Lil-OS - 10 GPM - 50 GPM Oil / Sediment Interceptor (Page 40)	 Lil-FUR - 7 GPM - 50 GPM Fur Interceptors (Page 41)	 Extensions For Lil Max (Pages 42, 43)	 BIG - 50, 75, 100 GPM Grease Interceptor (Page 48)	 BIG-O - 50, 75, 100 GPM Oil Interceptor (Page 49)	
 BIG-S - 55, 140 & 300 Gallons Solids Interceptor (Page 50)	 BIG-PL - 55, 140 & 300 Gallons Plaster Interceptor (Page 51)	 BIG-L - 55, 140 & 300 Gallons Lint Interceptor (Page 52)	 BIG-SA - 55, 140 & 300 Gallons Sand Interceptor (Page 53)	 BIG-F - 55, 140 & 300 Gallons Fish Scale Interceptor (Page 54)	
 BIG-R - 55, 140 & 300 Gallons Rice Interceptor (Page 55)	 BIG-OS - 55, 118 & 172 Gallons Oil/Sediment Interceptor (Page 56)	 BIG-DECON - 55, 140 & 300 Gallons Decontamination Tank (Page 57)	 BIG-FUR - 50, 75, 100 GPM Fur Interceptor (Page 58)	 Extensions For Big Max (Page 59)	
 Options For Big Max (Page 60)	 Combinations - For Big Max (Page 61)	 Venting - For Big Max (Page 62)	 BIG MAX Anchor Kits (Page 64, 65)	<p><i>"We made the switch to MIFAB HDPE interceptors. A Great product, for a Great price."</i></p> <p>– David W. Brown, Owner, Ken Brown & Sons, Inc., New Orleans, LA</p>	

CALIFORNIA PROPOSITION 65 WARNING. This product contains chemicals known to the State of California to cause cancer and birth defects or other reproductive harm.

PICTORIAL INDEX

“MIFAB was able to meet the competitor’s interceptor specifications and ship the SuperMax grease interceptor in a more timely fashion at a competitive price.”

– Steve Erickson, President, Washington, Winsupply, Landover, MD

 Big Max Suspended Installation Detail (Page 66)	 SUPER - 500 to 2,000 Gallons Gravity Grease Interceptor (Page 70)	 SUPER-PL - 500 to 2,000 Gallons Plaster Interceptor (Page 71)	 SUPER-L - 500 to 2,000 Gallons Lint Interceptor (Page 72)	 SUPER-SA - 500 to 2,000 Gallons Sand Interceptor (Page 73)
 SUPER-F - 500 to 2,000 Gallons Fish Scale Interceptor (Page 74)	 SUPER-R - 500 to 2,000 Gallons Rice Interceptor (Page 75)	 SUPER-FUR - 500 to 2,000 Gallons Fur Interceptor (Page 76)	 SUPER-OS - 500 - 2000 Gallons Oil / Sediment Interceptor (Page 77)	 SUPER-DECON - 500 - 2000 Gallons Decontamination Tank (Page 78)
 SUPER-S - 500 - 2000 Gallons Solids Interceptor (Page 79)	 SUPER-O - 500-2000 Gallons Oil Interceptor (Page 80)	 SUPERMAX Anchor Kits (Page 81)	 Options For SuperMax (Page 82)	 Combinations For SuperMax (Page 83)
 Venting For SuperMax (Page 84)	 Parking Installation For SuperMax (Page 85)	 Acid Neutralization Tanks (Pages 86 - 91)	Limited Lifetime Warranty (Page 92)	History of MIFAB (Page 93)
Case Studies (Pages 94 - 100)	Supermax - Freight Rates (Page 101)	Common Questions (Pages 102 - 103)	Schier / Striem, Canplas & Green Turtle to Mifab Cross Reference (Pages 104 - 105)	Terms & Conditions (Page 106) Mifab Product Catalogs (Page 107)

CALIFORNIA PROPOSITION 65 WARNING. This product contains chemicals known to the State of California to cause cancer and birth defects or other reproductive harm.

Design and dimensions are subject to modification. Prices do not include applicable taxes. Visit www.mifab.com for the most recent product information.

MIFAB®, Inc., 1321 West 119th Street, Chicago, Illinois 60643-5109, USA
 All sales subject to MIFAB's® Terms and Conditions. Please refer to Page 106.

USA Toll Free: 1-800-465-2736 • Fax: 1-773-341-3049
Canada Toll Free: 1-800-387-3880 • sales@mifab.com



TABLE OF CONTENTS

Pictorial Index.....	2,3	Drainage Fixture Unit Value Table.....	13
Grease Interceptor Sizing Program.....	5	Grease Production Sizing Method.....	14-15
25% - Pump Out Rule.....	5	Oil Interceptor Sizing Guidelines, Holding Tanks, Coalescing Packs.....	16-17
Hydromechanical (HGI) vs. Gravity Grease Interceptors (GGI).....	6	Decontamination Tank Sizing Guidelines.....	18
Flow Control Fittings - Internal and External.....	7	MIFAB® Flow Splitter.....	19
Advantages of H.D.P.E. vs. Fiberglass Interceptors.....	8	MIFAB® Safety Shield.....	19
Advantages of H.D.P.E. vs. Steel and Concrete Interceptors.....	8	Sampling Ports.....	20-21
Hydromechanical Grease Interceptor (HGI) Sizing Guide.....	9	Solids, Plaster, Rice, Fish Scale, Fur, Lint and Sand Interceptors Sizing Guidelines.....	22, 23
Why PDI certified?.....	10-11	Remote Pump Out (-RPO) and Pump Out Kit (-POK).....	24-25
Gravity Grease Interceptor (GGI) Sizing Guide.....	12		



"Thanks to your catalogue, we find it easy to navigate the pages and place an order. The detailed information shown there helps us to match the size of the unit for replacement of existing grease traps. The plastic grease trap distribution program is very user friendly and has helped to increase our sales dramatically."

-Bill Corwell, Manager, Bucks Wholesale Supply, Tampa, FL

MINI-PL, wet waste interceptor.....	26-27	Discount Guide	26-27
Bury Depth Advantages.....	28		
Lid Installation Details.....	28		
Anchor Flange and Membrane Clamp Details.....	28		
Selection Guide - Lil Max®.....	29		
Features and Benefits - Lil Max®.....	30, 31		
Lil-7, 10, 15, 20, 25, 35, 50 – grease interceptor.....	32		
Lil-10-O, 15-O, 20-O, 25-O, 35-O, 50-O – oil interceptor.....	33		
Lil-7-S, 10-S, 15-S, 20-S, 25-S, 35-S, 50-S – solids interceptor.....	34		
Lil-7-PL, 15-PL – plaster interceptor.....	35		
Lil-7-L, 10-L, 15-L, 20-L, 25-L, 35-L, 50-L – lint interceptor.....	36		
Lil-7-SA, 10-SA, 15-SA, 20-SA, 25-SA, 35-SA, 50-SA – sand interceptor.....	37		
Lil-7-F, 10-F, 15-F, 20-F, 25-F, 35-F, 50-F – fish scale interceptor.....	38		
Lil-7-R, 10-R, 15-R, 20-R, 25-R, 35-R, 50-R – rice interceptor.....	39		
Lil-10-OS, 15-OS, 20-OS, 25-OS, 35-OS, 50-OS – HDPE Oil / Sediment Interceptors.....	40		
Lil-FUR- Fur Interceptors.....	41		
Lil Max® Extensions and accessories.....	42, 43		
Lil Max® Installation illustrations.....	44		

Selection Guide - Big Max®.....	45		
Features and Benefits - Big Max®.....	46-47		
BIG-500, BIG-750, BIG-1150 – grease interceptor.....	48		
BIG-500-O, BIG-750-O, BIG-1150-O – oil interceptor.....	49		
BIG-55-S, BIG-140-S, BIG-300-S – solids interceptor.....	50		
BIG-55-PL, BIG-140-PL, BIG-300-PL – plaster interceptor.....	51		
BIG-55-L, BIG-140-L, BIG-300-L – lint interceptor.....	52		
BIG-55-SA, BIG-140-SA, BIG-300-SA – sand interceptor.....	53		
BIG-55-F, BIG-140-F, BIG-300-F – fish scale interceptor.....	54		
BIG-55-R, BIG-140-R, BIG-300-R – rice interceptor.....	55		
BIG-55-OS, BIG-140-OS, BIG-300-OS – oil / sediment interceptor.....	56		
BIG-DECON - decontamination tanks.....	57		
BIG-FUR - fur interceptor.....	58		
Big Max® Extensions.....	59		
Big Max® Optional Variations.....	60		
Big Max® Combinations.....	61		
Big Max® Venting instructions.....	62		
BIG Max® Internal Baffle.....	63		
Big Max® Anchor Kits.....	64, 65		
Big Max® Suspended Installation.....	66		



Selection Guide - SuperMax®.....	67		
Features and Benefits - SuperMax®.....	68, 69		
SUPER – gravity grease interceptors.....	70		
SUPER-PL – plaster interceptors.....	71		
SUPER-L – lint interceptors.....	72		
SUPER-SA – sand interceptors.....	73		
SUPER-F – fish interceptors.....	74		
SUPER-R – rice interceptors.....	75		

SUPER-FUR – fur interceptors.....	76		
SUPER-OS - oil / sediment interceptors.....	77		
SUPER-DECON - decontamination tanks.....	78		
SUPER-S- Solids Interceptors.....	79		
SUPER – gravity oil interceptors.....	80		
SuperMax® Anchor Kits.....	81		
SuperMax® Optional Variations.....	82		
SuperMax® Typical installation combinations (2000, 2600, 3000 and 4000 gallon models).....	83		
SuperMax® Venting installation instructions.....	84		

SuperMax® Gravity Grease Interceptors installed in a Parking Garage.....	85		
Acid Neutralization Tanks.....	86-91		
Limited Lifetime Warranty.....	92		
History of MIFAB®.....	93		
Case Studies.....	94-100		
SuperMax® - Freight Rates.....	101		
Common Questions and Answers.....	102-103		
Schier / Striem, Canplas, Green Turtle / Proceptor to MIFAB® Cross Reference.....	104-105		
Terms and Conditions.....	106		



25% - PUMP OUT RULE: ADVANTAGES OF HYDRO-MECHANICAL GREASE INTERCEPTORS

25% PUMP OUT RULE

Many local municipalities require that Gravity Grease Interceptors (GGI) be pumped out once the combined volume of retained FOG and food solids accumulates to 25% of the liquid volume of the interceptor. This is known as the "25% Rule". They also require that GGI must be pumped out within 30 days. This requires food service establishments to pump out their grease interceptor after 25% of the liquid volume has been filled with grease and / or solids and / or within 30 days - whichever comes first.

MIFAB®'s Big Max® grease interceptors are not subject to the 25% pump-out rule because they have been tested by a third party to a larger grease design capacity volume.

For example, a typical 750 gallon concrete grease interceptor has an estimated grease design capacity of 500 lbs. MIFAB®'s Big Max® BIG-750, 75 GPM grease interceptor has a grease design capacity of 500 lbs. A typical 1000 gallon concrete grease interceptor has an estimated grease design capacity of 1,020 lbs. MIFAB®'s Big Max® BIG-1150, 100 GPM grease interceptor has a grease design capacity of 1,556 lbs.

Therefore, the MIFAB® Big Max® grease interceptors are an economical alternative to 750 and 1,000 gallon concrete grease interceptors.

GREASE INTERCEPTOR SELECTION GUIDE SOFTWARE

WELCOME TO

SIZE MY INTERCEPTOR

Online Calculation Program Used to Effectively Size Grease Interceptors.

WHAT ARE YOU LOOKING FOR?

SIZE BY FIXTURES

Need to know each fixture that will drain to the interceptor.

SIZE BY RESTAURANT

Need to know type of restaurant, number of meals, and desired days between pumpouts.

In just 3 easy steps 1-2-3 you can select the MIFAB Interceptor you need along with the specification sheets.



www.sizemyinterceptor.com

CSI FORMATTED SPECIFICATIONS AND REVIT DETAILS

Please go to the www.mifab.com website, click on the Specifications link at the top to view our interceptor specifications.

"MIFAB's Size My Interceptor website is easy to use and ensures the right application every time."

– Bryan Lawlor, Plumber, Allstar Plumbing, Baltimore, MD

CALIFORNIA PROPOSITION 65 WARNING. This product contains chemicals known to the State of California to cause cancer and birth defects or other reproductive harm.

Design and dimensions are subject to modification. Prices do not include applicable taxes. Visit www.mifab.com for the most recent product information.

MIFAB®, Inc., 1321 West 119th Street, Chicago, Illinois 60643-5109, USA

USA Toll Free: 1-800-465-2736 • Fax: 1-773-341-3049

All sales subject to MIFAB's® Terms and Conditions. Please refer to Page 106.

Canada Toll Free: 1-800-387-3880 • sales@mifab.com

THE NEED FOR GREASE INTERCEPTORS

In 1973, the Environmental Protection Agency (EPA) established regulations to limit what commercial buildings can discharge into the sewer and by extension into the local water treatment plant. These regulations gave the EPA the power to fine municipalities for Sanitary Sewer Overflows (SSOs). Despite this, pretreatment managers continued to have problems with sanitary sewer overflows even though plumbing codes required the installation of grease interceptors in restaurants to protect the sewers. Because of this, pretreatment and sewer authorities developed local requirements for grease interceptors which led to a dramatic increase in their size. It is typical for a local authority to require the installation of a 1,000 gallon liquid holding capacity grease interceptor regardless of the restaurant type and size. The “bigger is better” thinking began. However, this has led to new issues including access to the grease interceptor for cleaning, cost of pumping out the grease interceptor and accumulation of H₂S gases from extended pump out frequencies. Other issues are corrosion resistance, cost, required space to locate the grease interceptor, etc... Unfortunately, two people died after inhaling noxious H₂S gases from a large grease interceptor at the Orleans Hotel & Casino in Las Vegas in 2008: <http://articles.latimes.com/2008/jul/28/nation/na-vegas28>

HYDROMECHANICAL VS. GRAVITY GREASE INTERCEPTOR

Hydromechanical Grease Interceptor (HGI) – an HGI is designed to use modulated flow, air entrapment, and internal features to provide an enhanced level of separation efficiency, removing non petroleum FOG (Fats, Oil and Grease) from waste water flowing out of commercial food service establishments (restaurants, cafeterias, institutional kitchens, sandwich shops and cafes.) HGIs are performance tested for efficiency of grease separation based on National Standards. The three main performance standards for HGI are: 1) PDI G-101, ASME A112.14.3 and CSA B481. The sizing method for HGI is based on the flow rate expressed in GPM (Gallons Per Minute). The flow rate is calculated to determine the highest possible peak flow coming from the drainage fixtures and equipment in the food preparation area. MIFAB®’s Lil Max®, Big Max® and SuperMax® model # SUPER-500 grease interceptors are tested and certified as hydromechanical grease interceptors to the PDI G-101, ASME A112.14.3 and CSA B481 Standards and listed with IAPMO. The PDI G-101 requires the use of an external, vented flow control fitting between the inlet of the interceptor and the fixtures draining into it. The ASME A112.14.3 Standard Sections A and B require the use of an external vented flow control fitting. ASME A112-14.3 Sections C and D do not require the use of an external vented flow control fitting. An internal stainless steel orifice plate (flow control) is sufficient.

Gravity Grease Interceptor (GGI) – a GGI is designed to have a minimum of 350 US gallons of liquid holding capacity. Many jurisdictions, especially those following the Uniform Plumbing Code (U.P.C.), will not allow a GGI smaller than 500 US gallons of liquid holding capacity. MIFAB offers GGI up to 1,500 US gallons of liquid holding capacity. They do not require the use of a flow control fitting or internal flow control. The separation of FOG is based on the capacity and retention time within the interceptor. They are tested and certified to a Design Standard. The flow rate is calculated to determine the highest possible peak flow coming from the drainage fixtures and equipment in the food preparation area and multiplied by a retention time (typically 30 minutes determined by the Plumbing Code) to achieve the liquid holding capacity (in gallons) required for the grease interceptor. MIFAB®’s SuperMax® gravity grease interceptors are tested and certified to the IAPMO Z1001-2016 Design Standard and listed with IAPMO. Many local municipalities require that GGI be pumped out once the combined volume of retained FOG and food solids accumulates to 25% of the liquid volume of the interceptor. This is known as the “25% Rule.”

CALIFORNIA PROPOSITION 65 WARNING. This product contains chemicals known to the State of California to cause cancer and birth defects or other reproductive harm.

Design and dimensions are subject to modification. Prices do not include applicable taxes. Visit www.mifab.com for the most recent product information.

FLOW CONTROL FITTINGS - INTERNAL AND EXTERNAL

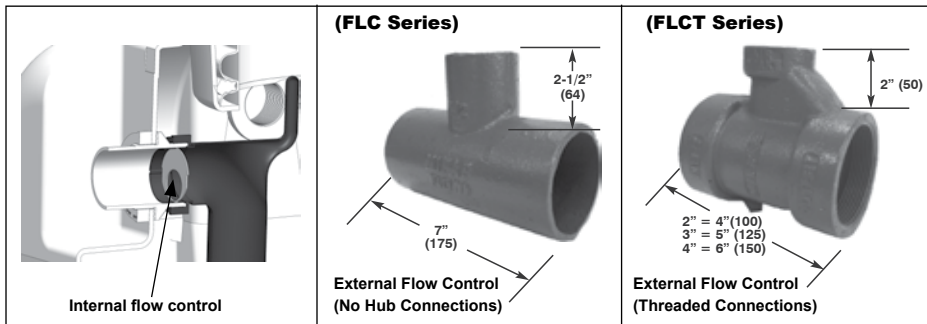
FLOW CONTROL FITTINGS: The PDI G-101 Standard requires that all grease interceptors be installed with an external, vented, flow control fitting.

FLOW CONTROL FITTING DESCRIPTION: Flow control fittings ensure 90% or more grease retention efficiency of the interceptor. When consideration isn't given to the flow rate of the waste water to be handled, the actual flow rate through the interceptor usually exceeds its rated maximum. With such flow rate, the interceptor would be overloaded. Retention time within the unit would not be sufficient for maximum separation. The result would be low efficiency, and pollutants left in the waste water would pass through the interceptor, making the installation less than effective. When the flow is controlled by use of a MIFAB® flow control fitting so that it can never exceed the maximum rating of the interceptor, and the interceptor is cleaned on a regular basis, the maximum pollutant retention efficiency will be achieved and maintained.

All external flow control fittings are built with an air intake and should be connected to the vent stack or vent not lower than the flow level of the highest drain serviced or terminated in a return bend at the same elevation outside of the building. A vented flow control fitting improves the efficiency of the grease interceptor by introducing air into the body of the interceptor. As the air bubbles rise to the surface, they are coated with grease. This process brings grease to the surface faster, and, as a result, increases the efficiency.

The external flow control fitting furnished with PDI certified interceptors must be installed ahead of the interceptor in the waste line beyond the last connection from the fixture and as close as possible to the underside of lowest fixture. When waste of two or more sinks or fixtures are combined to be served by one interceptor, a single flow control fitting should be used. Air intake for flow control may terminate under sink drain board as high as possible to prevent overflow or terminate in a return bend at the same height and on outside of building. When fixture is individually trapped and back-vented, air intake may intersect vent stack. All installation recommendations subject to approval of the local Code Authority.

INTERNAL FLOW CONTROL: Where an internal flow control is preferred and acceptable to the Authority Having Jurisdiction (AHJ), the grease interceptor shall be tested and certified to the ASME A112.14.3, Type C Standard. The flow control shall be accessible for cleaning and inspection up to the maximum burial depth of 72" regardless of the application. MIFAB's BIG-500 (50 GPM), BIG-750 (75 GPM) and BIG-1150 (100 GPM) are tested and certified to the ASME A112.14.3, Type C Standard with an internal flow control. They are also separately tested and certified to the PDI G-101 Standard which requires the use of an external flow control fitting (see page 10).



(DIMENSION) DENOTES MILLIMETRES

MODEL NO.	FOR USE WITH MIFAB® INTERCEPTOR	NO HUB PIPE CONNECTION SIZE	ORIFICE SIZE	VENT CONNECTION SIZE
FLC-1	Lil-7	2" (52)	.50" (13)	2" (52)
FLC-2	Lil-10	2" (52)	.65" (16)	2" (52)
FLC-3	Lil-15	2" (52)	.75" (19)	2" (52)
FLC-4	Lil-20	3" (75)	1" (25)	2" (52)
FLC-5	Lil-25	3" (75)	1.25" (31)	2" (52)
FLC-6	Lil-35	3" (75)	1.25" (31)	2" (52)
FLC-7	Lil-50	3" (75)	2" (52)	2" (52)
FLC-7-F4	BIG-500	4" (102)	2" (52)	2" (52)
FLC-XL-0	BIG-750	4" (102)	2" (52)	2" (52)
FLC-XL-1	BIG-1150	4" (102)	2.25" (57)	2" (52)

(DIMENSION) DENOTES MILLIMETRES

MODEL NO.	FOR USE WITH MIFAB® INTERCEPTOR	NO HUB PIPE CONNECTION SIZE	ORIFICE SIZE	VENT CONNECTION SIZE
FLCT-1	Lil-7	2" (52)	.50" (13)	2" (52)
FLCT-2	Lil-10	2" (52)	.65" (16)	2" (52)
FLCT-3	Lil-15	2" (52)	.75" (19)	2" (52)
FLCT-4	Lil-20	3" (75)	1" (25)	2" (52)
FLCT-5	Lil-25	3" (75)	1.25" (31)	2" (52)
FLCT-6	Lil-35	3" (75)	1.25" (31)	2" (52)
FLCT-7	Lil-50	3" (75)	2" (52)	2" (52)
FLCT-7-F4	BIG-500	4" (102)	2" (52)	2" (52)
FLCT-XL-0	BIG-750	4" (102)	2" (52)	2" (52)
FLCT-XL-1	BIG-1150	4" (102)	2.25" (57)	2" (52)

CALIFORNIA PROPOSITION 65 WARNING. This product contains chemicals known to the State of California to cause cancer and birth defects or other reproductive harm.

Design and dimensions are subject to modification. Prices do not include applicable taxes. Visit www.mifab.com for the most recent product information.

MIFAB®, Inc., 1321 West 119th Street, Chicago, Illinois 60643-5109, USA
All sales subject to MIFAB's® Terms and Conditions. Please refer to Page 106.

USA Toll Free: 1-800-465-2736 • Fax: 1-773-341-3049
Canada Toll Free: 1-800-387-3880 • sales@mifab.com

Installation Diagrams

Figures A2.5.1 through A2.5.5 are included to illustrate various grease interceptor installations normally encountered in domestic, commercial and institutional systems. These figures will serve as a guide to practical application of grease interceptors.

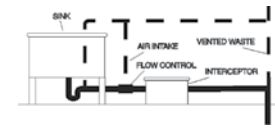


Fig. A2.5.1 Interceptor Serving Trapped and Vented Sink - Flow Control Air Intake Intersects Vent

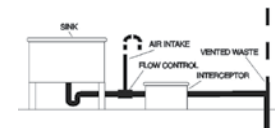


Fig. A2.5.2 Interceptor Serving Sink - Flow Control Air Intake Terminates in a Return Bend Above Flood Level

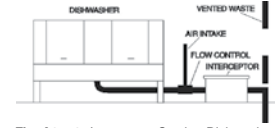


Fig. A2.5.3 Interceptor Serving Dishwasher - Flow Control Air Intake Terminates Above Flood Level

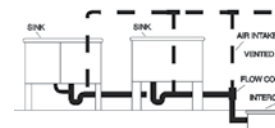
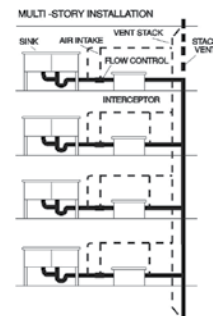


Fig. A2.5.4 Interceptor Serving Two Individually Trapped and Vented Sinks - Flow Control Air Intake Intersects Vent





ADVANTAGES OF PLASTIC (H.D.P.E.) VS. STEEL AND CONCRETE INTERCEPTORS

A 2008 Water Environment Research Foundation (WERF) report determined that the waste water in a grease interceptor is so acidic that it meets EPA requirements for neutralization (pH<5). Acidic waste is very corrosive to steel and concrete interceptors. This results in 5 years as the typical life expectancy of a steel grease interceptor. In addition to the actual cost of a replacement grease interceptor, the owner has to contend with disruption to their facility and the labor and cost to tear out and dispose of the rusted steel grease interceptor. Specifying and installing a MIFAB® H.D.P.E. grease interceptor with our limited Lifetime Warranty from the beginning is by far the most economical choice.



RUSTED STEEL GREASE INTERCEPTOR

The Portland Cement Association has stated that fats, fatty acids, vegetable oils, salts, sugars, acids, bleach and even water will disintegrate concrete even with proper protective coatings. Over time, concrete interceptors will crack and deteriorate, leaching contaminated waste water into the ground. Therefore, 10 years is the typical life expectancy of a concrete grease interceptor. In addition to the actual cost of a replacement grease interceptor, the owner has to contend with disruption to their facility and the labor and cost to tear out and disposal of the corroded concrete grease interceptor. Specifying and installing a MIFAB® H.D.P.E. grease interceptor with our limited Lifetime Warranty from the beginning is by far the most economical choice.



CORRODED CONCRETE GREASE INTERCEPTOR

"I do not have any issues with HDPE grease interceptors and specify these and/or FRP interceptors over concrete for the following reasons.

- *Installation, the lightweight HDPE can be installed without having to hire a crane to install.*
- *HDPE is more resistant to hydrogen sulfide gas attack than concrete.*
- *Longer warranty over concrete.*
- *Deeper burial depth over standard concrete interceptors.*
- *Smaller footprint over concrete interceptors.*
- *Cost."*

– Barry Alvord, Senior Plumbing Designer, GLUMAC Engineers, San Diego, CA

ADVANTAGES OF PLASTIC (H.D.P.E.) VS. FIBERGLASS INTERCEPTORS

MIFAB®'s Lil Max®, Big Max® and SuperMax® H.D.P.E. (high density polyethylene) interceptors are molded to a 3/8" uniform wall thickness that will not crack, chip or bulge under extreme impact, sunlight and / or temperature changes. H.D.P.E. is a much better material for interceptors than fiberglass because H.D.P.E. has resistance to a greater number of chemicals than fiberglass. Fiberglass is also hard and stiff and is subject to cracking. Additionally, it is known that a low pH level (below 5) within a fiberglass grease interceptor will exacerbate its brittleness. Typically, the pH level within a gravity grease interceptor will drop below 5 within a week of its operation - as stated by the 2008 WERF report. A rotationally molded H.D.P.E. interceptor is simply tougher and has much greater impact resistance vs. fiberglass. Fiberglass interceptors also have a negative environmental impact because they are made with VOCs – (Volatile Organic Compounds). Facilities that produce fiberglass interceptors have a negative impact on the environment because of the amount of VOCs they put into in the air. Rotationally molded H.D.P.E. interceptors have NO environmental impact.

CALIFORNIA PROPOSITION 65 WARNING. This product contains chemicals known to the State of California to cause cancer and birth defects or other reproductive harm.

Design and dimensions are subject to modification. Prices do not include applicable taxes. Visit www.mifab.com for the most recent product information.

GREASE INTERCEPTOR SIZING

The 2015 International Plumbing Code (IPC) states that hydromechanical grease interceptors (HGI) shall be tested and sized in accordance with PDI G-101, CSA B481, ASME A112-14.3 or ASME A112-14.4. These are all performance Standards. Exterior (gravity) grease interceptors (GGI) greater than 500 gallons of liquid holding capacity are not tested and certified to the PDI G-101, ASME A112-14.3 or ASME A112-14.4 performance Standards. The IPC also states that food waste grinders must connect to a solids interceptor before connecting for a grease interceptor. Solids interceptors should be sized and rated to accommodate the discharge from the food grinder and emulsifiers. Chemicals and enzymes shall not discharge into the grease interceptor. Garbage disposals are required to drain to the grease interceptor.

"I use MIFAB's Big Max and Super Max HDPE interceptors because of the extensions, the competitive pricing and the flexibility of installing the access ports no matter the depth."

– Mike Willman, E.J. Willman & Sons Plbg., Louisville, KY

HYDROMECHANICAL GREASE INTERCEPTOR (HGI) SIZING GUIDELINES TO THE PDI G-101, CSA B481, ASME A112-14.3 OR ASME A112-14.4 PERFORMANCE STANDARDS

Flow Rate Sizing Method:

Reliable performance of any grease interceptor is dependent on being correctly sized to handle the drainage load from the fixtures it serves. Each MIFAB® interceptor is flow and capacity rated for easy selection when sizing requirements have been established and met. Sizing is based on factors like volume of waste water and fixture type. These factors combine to establish the expected flow rate and the size of the interceptor required. The external flow control fitting is installed in the fixture drain line ahead of the interceptor and maintains the flow of drainage at the interceptor's rated flow. The following sizing formula is based on the PDI G-101 (Plumbing and Drainage Institute) requirements:

1. Calculate the volume in cubic inches of all the fixtures to be served by the Grease Interceptor. (length x width x depth)
2. *Ex.: 15" x 10" x 24" = 3600 cubic inches. Since a three compartment sink is serving the grease interceptor, multiply the single compartment cubic inch capacity by three to obtain the total capacity in cubic inches. 3600 cu in x 3 (sinks) = 10,800 cu in. Divide this number by 231 to convert the volume to US gallons. 10,800 cu in / 231 = 46.75 gallons. The fill rate is then multiplied by 75% = 35.06 U.S.G. Use MIFAB® model number Lil-35 which has a rated flow capacity of 35 G.P.M.
3. These calculations are based on a one minute drain down time with the interceptor within close proximity (within 25 feet) of the fixture(s). If a two minute drain down time is applied, then divide the GPM by two; ex. 35 G.P.M / 2 = 17.5 G.P.M. Use MIFAB® model number Lil-20 which has a rated flow capacity of 20 G.P.M. The flow control fitting supplied with the interceptor must be installed. If this is not in place, the interceptor will not function to PDI standards.
4. If an interceptor is to be installed with the top level at the finished floor, an extension type may be required. In that instance, the "C" dimension is required, (center line of inlet/outlet to top of the finished floor) and must be specified at time of ordering.

Fixture Unit Sizing Method

The majority of plumbing codes list the drainage fixture-unit values for plumbing fixtures or fixtures not listed. Note that DFU sizing is an averaging technique and does not result in peak flow results. The Codes provide drainage fixture-unit values based on drain outlet or trap size. Drainage fixture-unit values are converted to GPM discharge rates on the basis of one drainage fixture-unit equaling = 7.5 GPM fixture discharge rate. The drainage fixture-unit sizing for grease interceptors is included for those that prefer this approach as an alternative to the conventional (volume) sizing. The following table provides the suggested PDI sized grease interceptor based on drainage fixture unit sizing method.

Fixture Outlet or Size (inches)	Drainage Trap Fixture Unit Value	GPM Discharge Equivalent	Suggested GPM Flow Rate	MIFAB Model #
1 1/4"	1	7.5	10	Lil-10
1 1/2"	2	15	15	Lil-15
2"	3	22	25	Lil-25
2 1/2"	4	30	35	Lil-35
3"	5	37.5	50	Lil-50
4"	6	45	55	Lil-50

CALIFORNIA PROPOSITION 65 WARNING. This product contains chemicals known to the State of California to cause cancer and birth defects or other reproductive harm.

Design and dimensions are subject to modification. Prices do not include applicable taxes. Visit www.mifab.com for the most recent product information.

MIFAB®, Inc., 1321 West 119th Street, Chicago, Illinois 60643-5109, USA

USA Toll Free: 1-800-465-2736 • Fax: 1-773-341-3049
Canada Toll Free: 1-800-387-3880 • sales@mifab.com

All sales subject to MIFAB's® Terms and Conditions. Please refer to Page 106.



WHY PDI CERTIFIED? TWO REASONS: PERFORMANCE & ENGINEERING INTEGRITY.

The Plumbing and Drainage Institute has deep roots in the plumbing industry having begun its evolution in 1928¹ as an informal association of engineers and members of the National Association of Master Plumbers, organized as Plumbing Manufacturers Association until 1949, amended to Plumbing and Drainage Manufacturers Association until 1954, Incorporating as Plumbing and Drainage Institute, Inc. that same year.

The early development of a grease interceptor performance Standard was based upon publications, mainly by State University of Iowa, Institute of Hydraulic Research by of Dean F.M. Dawson and Professor A.A. Kalinske², published in Technical Bulletins 1-3 of the N. A. M. P. and in numerous articles in trade journals.

In late 1940 and early 1941, prior to the United States' entry into World War II, grease interceptors were specified for Army posts to meet specifications of the Construction Division, Office of the Quartermaster General. These specifications called for interceptors which proved inadequate; thus, it immediately became apparent that a comprehensive engineering and testing program was required in order to properly rate grease interceptors. Apart from prevention of sewage systems clogging, properly rated and sized grease interceptors were essential to the recovery of oils and grease to refine glycerol so badly needed for the war effort. As a result, a series of conferences involving the Research Committee of the Plumbing and Drainage Manufacturer's Association (now Plumbing and Drainage Institute), representatives of the Quartermaster General, Surgeon General, Army Corps of Engineers, and others were held to develop a testing program to establish flow rates and grease holding capacity for uniform rating of grease interceptors manufactured at that time.

The program that emerged from these conferences included exhaustive laboratory testing of each grease interceptor at the Iowa Institute of Hydraulic Research at the State University. This phase of the program was covered in a comprehensive report issued in August of 1945. Using the guidelines established in Iowa, the Research Committee continued the testing program at The United States Testing Company, Inc., which culminated with the first publication of PDI G-101 in 1949, "Testing and Rating Procedure for Grease Interceptors" (now "Testing and Rating Procedure for Hydromechanical Grease Interceptors with Appendix of Installation and Maintenance") and certification of applicable grease interceptors under the Standard. Since its publication, Standard PDI G-101 has been widely recognized; it is referenced in most plumbing codes and it was included as the basic testing and rating requirement of Military Specification MIL-T-18361 and recognized in many countries throughout the world. "Grease interceptors specified by engineers are deemed to be acceptable products when they meet the requirements of this Standard". [Excerpted from the Standard's Forward]

GENESIS OF ASME A112.14.3

In 1994, the Plumbing and Drainage Institute agreed to work with the American Society of Mechanical Engineers (ASME International) to develop an ANSI Standard known as ASME A112.14.3, which was published in 2000. That Standard replicates the requirements of PDI G-101 for certification with three exceptions³:

1. PDI G-101 sets a minimum grease capacity of 2.25 pounds (1 kg) of grease for each 1 gpm (3.8 L/min), while ASME A112.14.3 sets the minimum capacity at 2 pounds (0.9 kg) of grease for each 1 gpm (3.8 L/min).
2. PDI G-101 requires grease interceptors to be tested and rated with a vented (air intake) external flow control; ASME A112.14.3 distinguishes among four different types of units defined as follows:

Type A: Units with an external flow control with an air intake (vent), directly connected;

Type B: Units with an external flow control without an air intake (vent), directly connected;

Type C: Units without an external flow control, directly connected;

Type D: Units without an external flow control, indirectly connected.

¹ US DEPARTMENT OF COMMERCE, National Bureau of Standards, NBS Special Publication 681.

² "Grease Interceptors", by F. M. Dawson and A. A. Kalinske; Plumbing and Seating Business, Vol. 2, No. 4, pp. 20-21, November 1939;
"The Design, Operation, and Testing of Grease Interceptors," by F. M. Dawson and A. A. Kalinske; Plumbing and Heating Business, November and December 1939.
"Grease Interceptors in Practical Use," by F. M. Dawson and A. A. Kalinske; Plumbing and Heating Business, December 1939;
"Design and Operation of Grease Interceptors," by F. M. Dawson and A. A. Kalinske; Sewage Works Jour., Vol. 16, No. 3, pp. 482-495, May 1944;
"Symposium on Grease Removal; Design and Operation of Grease Interceptors," by F. M. Dawson and A. A. Kalinske; Sewage Works Jour., Vol. 16, No. 3, pp. 482-495, May 1944.

³ ASPE.ORG/ReadLearnEarn "Grease Interceptors Continuing Education from the American Society of Plumbing Engineers" March 2017.

CALIFORNIA PROPOSITION 65 WARNING. This product contains chemicals known to the State of California to cause cancer and birth defects or other reproductive harm.

Design and dimensions are subject to modification. Prices do not include applicable taxes. Visit www.mifab.com for the most recent product information.



WHY PDI CERTIFIED? TWO REASONS: PERFORMANCE & ENGINEERING INTEGRITY.

- ASME A112.14.3 requires a grease interceptor to be tested to its breakdown point (the increment preceding two successive increments in which either the average efficiency is less than 90 percent or the incremental efficiency is less than 80 percent).

Retention requirement at breakdown is 2 pounds (0.9 kg) of grease for each 1 gpm (3.8 L/min).

PDI G-101 certified interceptors tested to the breakdown point are certified by flow rate stating, "Maximum Grease Capacity [- - lbs]" at breakdown point with a minimum retention of 2.25 pounds (0.9 kg) of grease for each 1 gpm (3.8 L/min).

PDI G-101 certified interceptors may also be tested to a rated minimum of 13 increments and conform with or exceed the following requirements:

Have an average efficiency of 90 percent or more at the rated grease retention capacity to the flow rate;

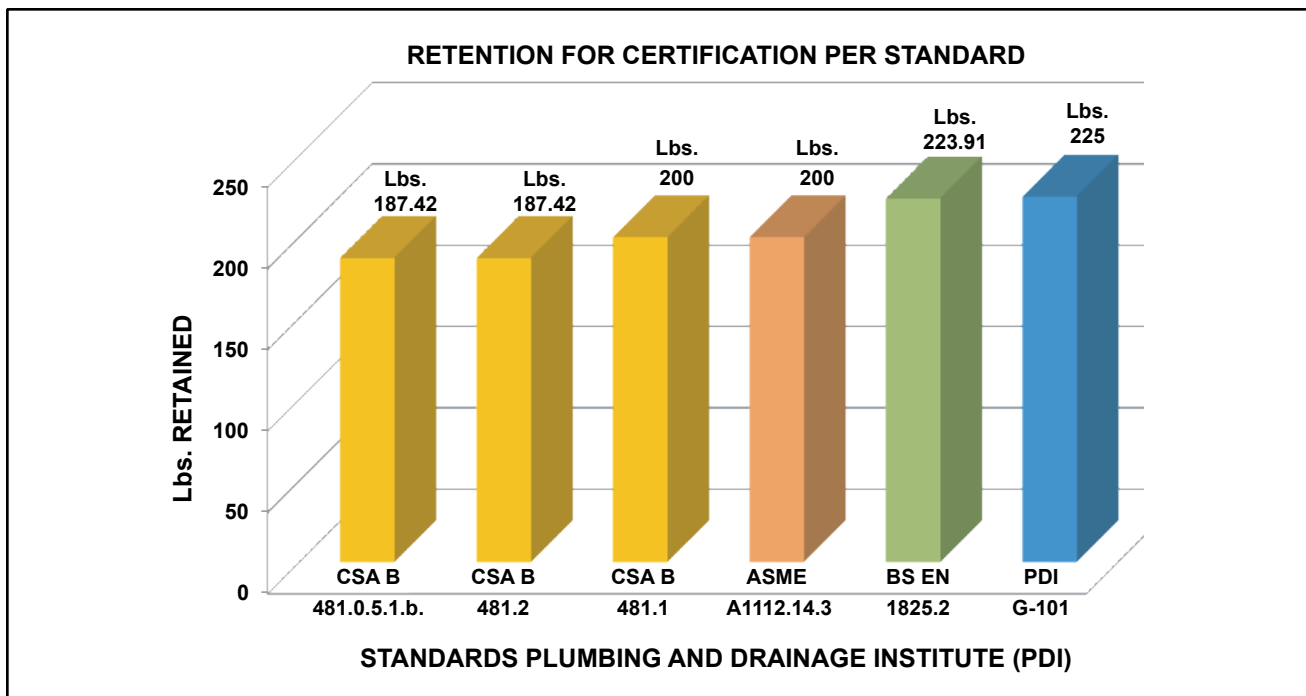
Have an incremental efficiency of 80 percent or more;

Have a minimum grease capacity per the Standard, retaining not less than 2.25 pounds (1 kg) of grease for each 1 gpm (3.8 L/min) as determined during the test.

In 2007, the Canadian Standards Association (CSA Group) published the first edition of CSA B481, which is a derivative of PDI G-101 and ASME A112.14.3. Grease interceptors certified to this Standard are required to be tested and rated in accordance with ASME A112.14.3.

©Plumbing and Drainage Institute 081920

BOTH ASME AND CSA HAVE RETENTION REQUIREMENTS 12.5% LOWER THAN PDI G-101. (SEE ATTACHED CHART). PDI G-101 IS THE SENIOR AND CLEARLY THE MOST SENIOR GREASE INTERCEPTOR STANDARD IN THE WORLD.



CALIFORNIA PROPOSITION 65 WARNING. This product contains chemicals known to the State of California to cause cancer and birth defects or other reproductive harm.

Design and dimensions are subject to modification. Prices do not include applicable taxes. Visit www.mifab.com for the most recent product information.

MIFAB®, Inc., 1321 West 119th Street, Chicago, Illinois 60643-5109, USA
All sales subject to MIFAB's® Terms and Conditions. Please refer to Page 106.

USA Toll Free: 1-800-465-2736 • Fax: 1-773-341-3049
Canada Toll Free: 1-800-387-3880 • sales@mifab.com



GRAVITY GREASE INTERCEPTOR (GGI) SIZING GUIDELINES TO THE IAPMO Z1001 DESIGN STANDARD

The flow rate of the GGI is calculated to figure the possible highest flow produced by the drainage fixtures and equipment in the food prep area and then multiplied by retention time (usually determined by the local municipality) to produce the liquid volume (in gallons of water) needed for the grease interceptor. Gravity grease interceptors are typically required by IAPMO to have a 30 minute retention time, baffle(s), not less than two compartments, a total volume of not less than 300 gallons of liquid holding capacity and gravity separation.

IAPMO requires that the volume of the gravity grease interceptor shall be determined by using Table 1014.3.6. Where drainage fixture units (DFUs) are not known, the interceptor shall be sized based on the maximum DFUs allowed for the pipe size connected to the inlet of the interceptor. (Refer to Table on next page) for DFU guide).

Table 1014.3.6

Gravity Grease Interceptor Sizing	
Drainage Fixture Units (DFUs)	Interceptor Volume (U.S. gallons of liquid holding capacity)
8	500
21	750
35	1000
90	1250
172	1500
216	2000
307	2500
342	3000
428	4000
576	5000
720	7500
2112	10,000
2640	15,000

“The cut-to-fit riser system on MIFAB’s HDPE Interceptors makes the installations easy, quick and very cost effective. It’s the only way to go.”

– Jr McVige, Manager, Plumbing Masters, Indian Trail, NC

GRAVITY GREASE INTERCEPTOR (GGI) SIZING EXAMPLE:

A restaurant has the following fixtures and equipment: one food preparation sink, three floor drains – one in the food preparation area, one in the grill area and one receiving the indirect waste from the ice machine and a mop sink.

Kitchen Drain Line DFU Count (from Table on next page):

- 3 floor drains at 2 DFUs each = 6 DFUs
- Mop sink at 3 DFUs each = 3 DFUs
- Food prep sink at 3 DFUs each = 3 DFUs
- Total = 12 DFUs

Therefore, using Table 1014.3.6, the grease interceptor will be sized at 750 gallons (MIFAB® SuperMax® Model # SUPER-750).

CALIFORNIA PROPOSITION 65 WARNING. This product contains chemicals known to the State of California to cause cancer and birth defects or other reproductive harm.

Design and dimensions are subject to modification. Prices do not include applicable taxes. Visit www.mifab.com for the most recent product information.



DRAINAGE FIXTURE UNIT VALUES (DFU)

PLUMBING APPLIANCES, APPURTENANCES, OR FIXTURES	MINIMUM SIZE TRAP & TRAP ARM ⁷ (inches)	PRIVATE	PUBLIC	ASSEMBLY ⁸
Bathtub or Combination Bath/Shower	1½	2.0	2.0	-
Bidet	1¼	1.0	-	-
Bidet	1½	2.0	-	-
Clothes Washer domestic standpipe ⁵	2	3.0	3.0	3.0
Dental Unit, cuspidor	1¼	-	1.0	1.0
Dishwasher domestic, with independent drain ²	1½	2.0	2.0	2.0
Drinking Fountain or Water Cooler	1¼	0.5	0.5	1.0
Food Waste Grinder commercial	2	-	3.0	3.0
Floor Drain emergency	2	-	0.0	0.0
Floor Drain (for additional sizes see Section 702.0)	2	2.0	2.0	2.0
Shower single-head trap	2	2.0	2.0	2.0
Multi-head each additional	2	1.0	1.0	1.0
Lavatory, single	1¼	1.0	1.0	1.0
Lavatory, in sets of two or three	1½	2.0	2.0	2.0
Wash fountain	1½	-	2.0	2.0
Wash fountain	2	-	3.0	3.0
Mobile Home trap ⁹	3	12.0	-	-
Receptor indirect waste ^{1, 3}	1½	See footnote ^{1, 3}		
Receptor indirect waste ^{1, 4}	2	See footnote ^{1, 4}		
Receptor indirect waste ¹	3	See footnote ¹		
Sinks	-	-	-	-
Bar	1½	1.0	-	-
Bar ²	1½	-	2.0	2.0
Clinical	3	-	6.0	6.0
Commercial with food waste ²	1½	-	3.0	3.0
Special Purpose ²	1½	2.0	3.0	3.0
Special Purpose	2	3.0	4.0	4.0
Special Purpose	3	-	6.0	6.0
Kitchen, domestic ² (with or without food waste grinder, dishwasher, or both)	1½	2.0	2.0	-
Laundry ² (with or without discharge from a clothes washer)	1½	2.0	2.0	2.0
Service or Mop Basin	2	-	3.0	3.0
Service or Mop Basin	3	-	3.0	3.0
Service flushing rim	3	-	6.0	6.0
Wash each set of faucets	-	-	2.0	2.0
Urinal integral trap 1.0 GPF ²	2	2.0	2.0	5.0
Urinal, integral trap greater than 1.0 GPF	2	2.0	2.0	6.0
Urinal, exposed trap ²	1½	2.0	2.0	5.0
Water Closet 1.6 GPF Gravity Tank ⁶	3	3.0	4.0	6.0
Water Closet 1.6 GPF Flushometer Tank ⁶	3	3.0	4.0	6.0
Water Closet 1.6 GPF Flushometer Valve ⁶	3	3.0	4.0	6.0
Water Closet greater than 1.6 GPF Gravity Tank ⁶	3	4.0	6.0	8.0
Water Closet greater than 1.6 GPF Flushometer Valve ⁶	3	4.0	6.0	8.0

For SI units: 1 inch= 25 mm

Notes:

- 1 Indirect waste receptors shall be sized based on the total drainage capacity of the fixtures that drain therein to, in accordance with Table 702.2(b).
- 2 Provide a 2 inch (50 mm) minimum drain.
- 3 For refrigerators, coffee urns, water stations, and similar low demands.
- 4 For commercial sinks, dishwashers, and similar moderate or heavy demands.
- 5 Buildings having a clothes-washing area with clothes washers in a battery of three or more clothes washers shall be rated at 6 fixture units each for purposes of sizing common horizontal and vertical drainage piping.
- 6 Water closets shall be computed as 6 fixture units where determining septic tank sizes based on Appendix H of this code.
- 7 Trap sizes shall not be increased to the point where the fixture

discharge is capable of being inadequate to maintain their self-scouring properties.

- 8 Assembly Public Use.
- 9 **[HCD 2]** For drainage fixture unit values related to mobile home parks in all parts of the State of California, see California Code of Regulations, Title 25, Division 1, Chapter 2, Article 5, Section 1268. For drainage fixture unit values related to special occupancy parks in all parts of the State of California, see California Code of Regulations, Title 25, Division 1, Chapter 2.2, Article 5, Section 2268.

"I specify MIFAB H.D.P.E. interceptors because I like the life time warranty; they are light weight and easy to install. They don't corrode like the metal or concrete interceptors."

– Christopher T. Ramos, Plumbing Designer, Kraemer Consulting Engineers, Phoenix, AZ

CALIFORNIA PROPOSITION 65 WARNING. This product contains chemicals known to the State of California to cause cancer and birth defects or other reproductive harm.

Design and dimensions are subject to modification. Prices do not include applicable taxes. Visit www.mifab.com for the most recent product information.

GREASE PRODUCTION SIZING METHOD

Some industry people believe that sizing grease interceptors based on the amount of grease that is produced in a restaurant or kitchen makes a lot more sense than sizing based on flow rate of water and / or drainage fixture units going into the grease interceptor. This can be done first by flow rate and then by grease capacity for pump-out cycle. Note that local codes and ordinances should be followed for compliance. For example, a Chinese restaurant with a 4" drain line can be sized to require a grease interceptor with a 50 GPM flow rate. A Subway deli with a 4" drain line can also be sized to require a grease interceptor with a 50 GPM flow rate. Therefore, two restaurants with very different meal types and production of grease can end up having the same code compliant grease interceptor sized.

The following information and sizing chart can be used to size grease interceptors based on the grease produced in a variety of different restaurants. Note that local codes and ordinances should be followed for compliance.

"I buy MIFAB HDPE grease interceptors for one reason, the local rep. It is the ability to get my questions answered quickly. The local knowledge is a great resource."

– Mark Gomez, Manager, H2O Service, Louisville, KY

1 SIZE BY PIPE DIAMETER/FLOW RATE

Hydromechanical grease interceptor sizing using gravity flow rates
(Per Chapter 10 of the Uniform Plumbing Code)

SIZE OF GREASE INTERCEPTOR:

DIAMETER OF GREASE WASTE PIPE	MAX. FULL PIPE FLOW	ONE MINUTE DRAINAGE PERIOD	TWO MINUTE DRAINAGE PERIOD
2"	20 GPM	20 GPM	10 GPM
3"	60 GPM	75 GPM	35 GPM
4"	125 GPM	150 GPM	75 GPM
5"	230 GPM	250 GPM	125 GPM
6"	375 GPM	500 GPM	250 GPM

★RECOMMENDED


**1/4" inch slope per foot (20.8 mm/m) based on Manning's formula with friction factor of N= 0.012

2 FIND GREASE PRODUCTION VALUE

RESTAURANT TYPE	GREASE PRODUCTION VALUES	GREASE PRODUCTION SIZING METHOD
Low Grease Production	.005 lbs / meal no flatware .0065 lbs / meal with flatware	Frozen yogurt, hotel breakfast bar, sub shop, sushi, deli, bar convenience store, residential
Medium Grease Production	.025 lbs / meal no flatware .0325 lbs / meal with flatware	Cafes, low grease output restaurant, pizza restaurant, grocery stores (with no fryer), ice cream parlor
High Grease Production	.035 lbs / meal no flatware .0455 lbs / meal with flatware	Full fare family, German, Italian, fast food Mexican, hamburger bar and grill and fast food restaurant, medium level restaurants with fryer
Very High Grease Production	.058 lbs / meal no flatware .075 lbs / meal with flatware	Full fare BBQ, fast food fried chicken, full fare Mexican, Steak and Seafood, Hawaiian and Chinese


3

CALCULATE GREASE CAPACITY




MEALS PER DAY

X




GREASE PRODUCTION VALUE (STEP 2)

X



DAYS PER PUMP OUT CYCLE

=



GREASE CAPACITY NEEDED

CALIFORNIA PROPOSITION 65 WARNING. This product contains chemicals known to the State of California to cause cancer and birth defects or other reproductive harm.

Design and dimensions are subject to modification. Prices do not include applicable taxes. Visit www.mifab.com for the most recent product information.



GREASE INTERCEPTOR CAPACITY DATA

Model No.	Flow Rate (GPM)	Liquid Cap (Gal)	Grease Design Cap. (Lbs)	Sediment Cap. (Gal)
LIL-7	7	5.8	37	2.0
LIL-10	10	8.5	42	2.0
LIL-15	15	13	50	3.1
LIL-20	20	16	73	3.9
LIL-25	25	23	79	5.6
LIL-35	35	39	86	10.6
LIL-50	50	44	109	11.9
LIL-25-LP	25	19	74	11.9
BIG-500	50	55	250	28
BIG-750	75	140	501	42
BIG-1150	100	300	1556	115
SUPER-500	250	539	3492	53
SUPER-750	250	772	5002	77
SUPER-1000	250	1015	6577	102
SUPER-1250	250	1262	8177	126
SUPER-1300	250	1312	8501	131
SUPER-1500	250	1522	9862	152
SUPER-2000	250	2022	13102	202

Capacities listed are for reference. Many external circumstances can have an effect on the data provided.

PUMP OUT CYCLE	MEALS PER DAY	GREASE PRODUCTION VALUES							
		1	2	3	4	5	6	7	8
		0.005 lbs/meal	0.0065 lbs/meal	0.025 lbs/meal	0.0325 lbs/meal	0.035 lbs/meal	0.0455 lbs/meal	0.058 lbs/meal	0.075 lbs/meal
30	250	LIL-7	LIL-15	BIG-500	BIG-500	BIG-750	BIG-750	BIG-750	BIG-750
	500	LIL-20	LIL-50	BIG-750	BIG-750	BIG-750	BIG-1150	BIG-1150	BIG-1150
	750	LIL-50	BIG-500	BIG-1150	BIG-1150	BIG-1150	BIG-1150	BIG-1150	BIG-1150
	1000	BIG-500	BIG-500	BIG-1150	BIG-1150	BIG-1150	BIG-1150	SUPER-500	SUPER-500

PUMP OUT CYCLE	MEALS PER DAY	GREASE PRODUCTION VALUES							
		1	2	3	4	5	6	7	8
		0.005 lbs/meal	0.0065 lbs/meal	0.025 lbs/meal	0.0325 lbs/meal	0.035 lbs/meal	0.0455 lbs/meal	0.058 lbs/meal	0.075 lbs/meal
60	250	LIL-25	LIL-50	BIG-750	BIG-750	BIG-750	BIG-1150	BIG-1150	BIG-1150
	500	BIG-500	BIG-500	BIG-1150	BIG-1150	BIG-1150	BIG-1150	BIG-1150	SUPER-500
	750	BIG-500	BIG-750	BIG-1150	BIG-1150	BIG-1150	SUPER-500	SUPER-500	SUPER-500
	1000	BIG-750	BIG-750	BIG-1150	SUPER-500	SUPER-500	SUPER-500	SUPER-500	SUPER-750

PUMP OUT CYCLE	MEALS PER DAY	GREASE PRODUCTION VALUES							
		1	2	3	4	5	6	7	8
		0.005 lbs/meal	0.0065 lbs/meal	0.025 lbs/meal	0.0325 lbs/meal	0.035 lbs/meal	0.0455 lbs/meal	0.058 lbs/meal	0.075 lbs/meal
90	250	LIL-50	BIG-500	BIG-750	BIG-1150	BIG-1150	BIG-1150	BIG-1150	SUPER-500
	500	BIG-500	BIG-750	BIG-1150	BIG-1150	BIG-1150	SUPER-500	SUPER-500	SUPER-500
	750	BIG-750	BIG-750	SUPER-500	SUPER-500	SUPER-500	SUPER-500	SUPER-750	SUPER-750
	1000	BIG-750	BIG-750	SUPER-500	SUPER-500	SUPER-500	SUPER-750	SUPER-1000	SUPER-1000

CALIFORNIA PROPOSITION 65 WARNING. This product contains chemicals known to the State of California to cause cancer and birth defects or other reproductive harm.

Design and dimensions are subject to modification. Prices do not include applicable taxes. Visit www.mifab.com for the most recent product information.



OIL INTERCEPTOR SIZING GUIDELINES, HOLDING TANKS, COALESCING PACKS

“My customers have been extremely satisfied with the MIFAB plastic grease interceptors. We try not to use anyone else.”

– Paul Wilhelm, Sales, Lee Dopkin, Division of Hajoca, Baltimore, MD

OIL INTERCEPTORS

Oil interceptors are required anywhere that oil and sand may be introduced to the public sewer system in applications such as: repair garages, oil change stations, car wash facilities, parking garages, parking lots, hydraulic elevator pits and facilities where oil and flammable liquid waste are produced as a result of manufacturing, storage, maintenance, repair or testing processes. The interceptor collects the oil before it is drained to an adjacent storage tank through an adjustable draw-off system. Sediment and debris is collected inside of the internal sediment bucket. Petroleum based oils are lighter than water and will rise to the surface by gravity differential separation according to the Stokes Law. The International Plumbing Code – 2015 (IPC) and Uniform Plumbing Code 2012 (UPC) require the installation of oil interceptors in the above mentioned applications.

OIL INTERCEPTORS SIZED BY SQUARE FOOTAGE FOR SERVICE AREAS

Drainage Area (sq. ft.)	Cubic Ft. Capacity Required	Holding Capacity Required (U.S. Gallons)	Model #
Up to 200	Up to 7	52	Lil-50-O
>200 – 1,100	Up to 16	120	BIG-750-O
>1,100 – 3,100	Up to 36	269	BIG-1150-O
>3,100 – 6,700	Up to 72	539	SUPER-500-O
>6,700 – 10,400	Up to 109	815	SUPER-750-O
>10,400 – 14,200	Up to 147	1,100	SUPER-1000-O

OIL INTERCEPTORS SIZED BY FLOW RATE FOR PARKING AREAS ONLY

Pipe Size (Nominal)	Per Manning's Formula*	
	Half pipe flow (design flow) (GPM)	Maximum full pipe flow (GPM)
2"	9.67	19.44
3"	29.33	58.67
4"	62.96	127.77
6"	187.74	375.47
	▲ Recommended flow rate	



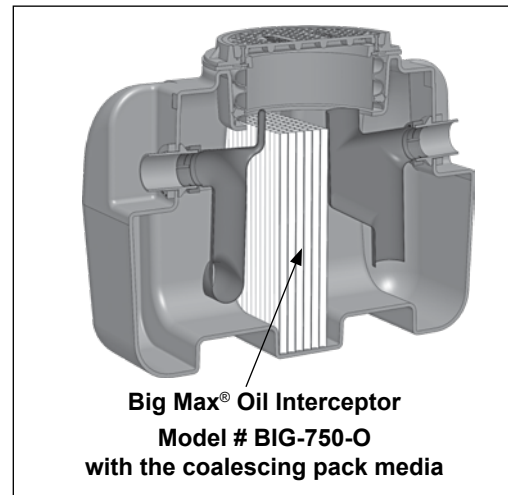
Supply Line Flow Rate		
Velocity	1/2	3/4
4 Ft. / sec	3.77 GPM	6.64 GPM
6 Ft. / sec	5.66 GPM	9.96 GPM
8 Ft. / sec	7.54 GPM	13.29 GPM
10 Ft. / sec	9.43 GPM	16.61 GPM

* 1/4" pitch slope based on Manning's Formula with friction factor N=0.12"

COALESCING PACK

MIFAB®'s coalescing pack media is an ideal option to add to an oil interceptor when oily waste water is mechanically emulsified (as in pump applications.) Oils break into smaller, less buoyant droplets and decrease the separator efficiency. Coalescing packs provide increased surface area for emulsified oil droplets to merge into larger, more buoyant droplets, greatly improving the efficiency of the oil interceptor.

MIFAB®'s polypropylene coalescing pack media is from OWS Tech and has been third party tested to performance Standard CEN EN858-1 for Class 1 coalescing separators. OWS Tech's high efficiency coalescer (HEC) pack will remove free non-emulsified hydrocarbons with a specific gravity less than 0.95. The (HEC) pack's unique random tube matrix flushes solids and removes oil droplets down to the 20 micron size with an effluent discharge quality of 10 ppm (parts per million) or less.



**Big Max® Oil Interceptor
Model # BIG-750-O
with the coalescing pack media**

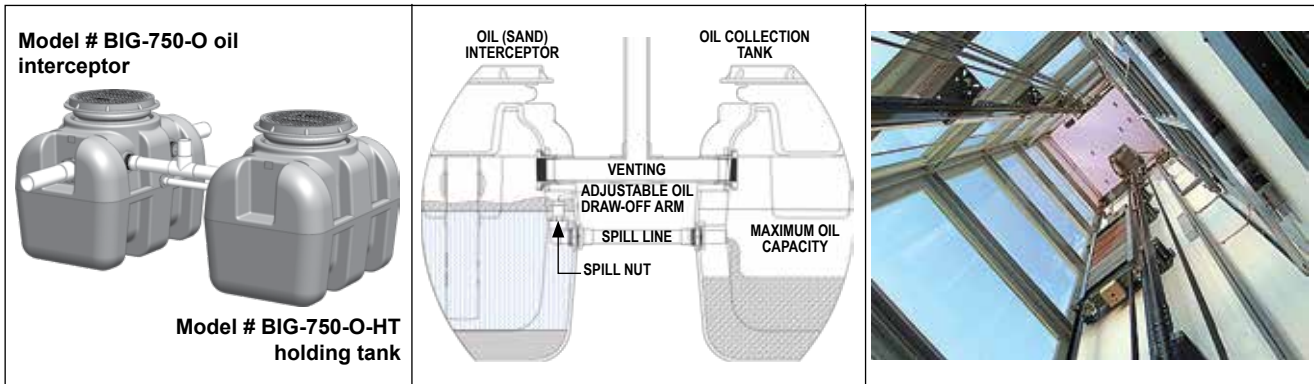
CALIFORNIA PROPOSITION 65 WARNING. This product contains chemicals known to the State of California to cause cancer and birth defects or other reproductive harm.

Design and dimensions are subject to modification. Prices do not include applicable taxes.

Visit www.mifab.com for the most recent product information.

OIL INTERCEPTOR HOLDING TANKS

It is good practice to install an oil interceptor holding tank adjacent to the oil interceptor to receive accumulated waste oil from the oil interceptor and reduce pump-out frequency. The holding tank can also provide more accurate oil level monitoring. MIFAB® recommends the holding tank be the same size as the oil interceptor to maximize oil storage capacity.

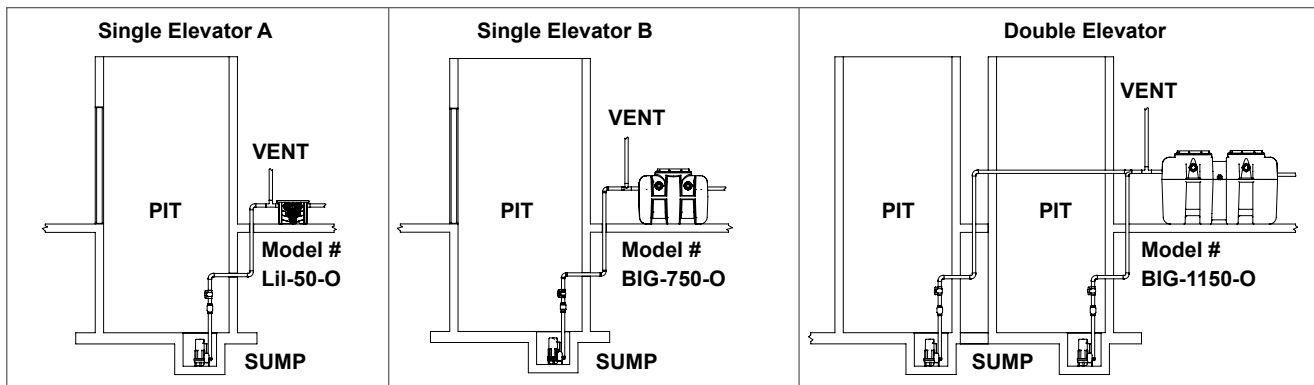


OIL INTERCEPTORS FOR ELEVATOR PITS

ASTM A17.1-2019 / CSA B44-07 is the Safety Code for Elevators and Escalators. It serves as the basis for the design, construction, installation, operation, testing, inspection, maintenance, alteration and repair of elevators, dumbwaiters, escalators, moving walkways and material lifts. Section 2.2 explains the requirements for pits for all elevators governed by the Code. Section 2.2.2.3 states that permanent provision must be made to prevent the accumulation of ground water in the pit, while Section 2.2.2.4 requires the necessary sump pump or floor drain meet the applicable plumbing code for the local jurisdiction. Section 2.2.2.5 requires all elevators with Firefighter’s Emergency Operation to have a drain or sump pump. A sump pump shall have the capacity to remove 3,000 gallons per hour per elevator.

The International Plumbing Code (IPC) requires the installation of an oil interceptor for hydraulic elevator pits, unless there is an approved alarm system installed. The intent of the Code is to prevent an oil discharge to the sanitary drainage system. Sump pumps with an oil sensor and alarm unit that shuts off the pump if oil is detected in the pit are available. For elevators with Firefighters’ Emergency Operation, the pit must be kept clear of accumulated water as required by ASTM A17.1-2019 / CSA B44-07, Section 2.2.2.5. It is possible that the sump pump with oil sensor will shut off during a fire allowing the pit to fill with sprinkler water. The installation of a MIFAB® oil interceptor downstream of the sump pump satisfies the elevator and the Plumbing Code.

Sizing for Oil interceptors for elevator pits				
Application	Pump Flow (GPM)	MIFAB® Model #	Flow Rate (GPM)	Oil Storage Holding Capacity (USG)
Single Elevator (A)	50	Lil-50-O	50	80.76
Single Elevator (B)	50	BIG-750-O	75	105.00
Double Elevator	100	BIG-1150-O	100	160.00



Note: The MIFAB® coalescing pack should be specified with all oil interceptors receiving pump fed oil waste water because the emulsification of the oil from the pump.

CALIFORNIA PROPOSITION 65 WARNING. This product contains chemicals known to the State of California to cause cancer and birth defects or other reproductive harm.

Design and dimensions are subject to modification. Prices do not include applicable taxes.

Visit www.mifab.com for the most recent product information.

MIFAB®, Inc., 1321 West 119th Street, Chicago, Illinois 60643-5109, USA

USA Toll Free: 1-800-465-2736 • Fax: 1-773-341-3049

All sales subject to MIFAB's® Terms and Conditions. Please refer to Page 106.

Canada Toll Free: 1-800-387-3880 • sales@mifab.com

DECONTAMINATION TANKS

Liquid wastes that can damage the building’s drain, waste and vent system, public sewer or ground / surface waters are required by Chapter 8 of the Uniform Plumbing Code (U.P.C.) and by the International Plumbing Code (I.P.C.) to be pretreated.

Following are requirements from the AIA and ANSI:

“Water drainage must be contained and disposed of safely to ensure that it does not enter hospital or community drainage systems”. American Institute of Architects (A.I.A.).

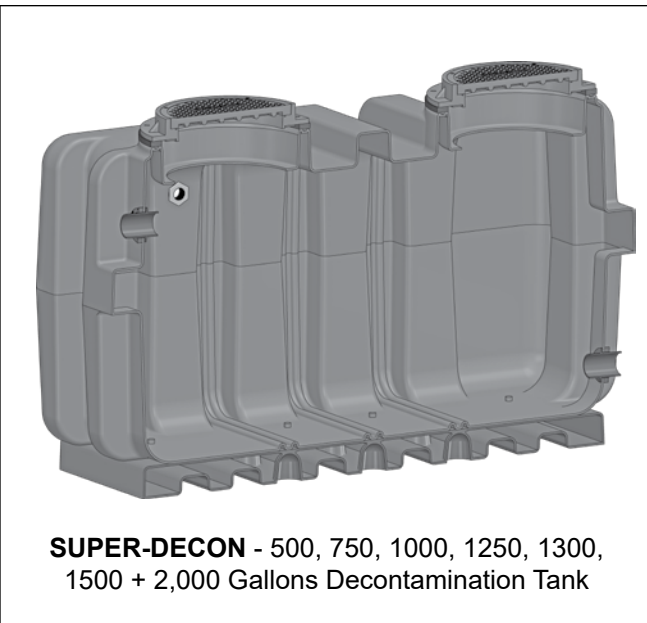
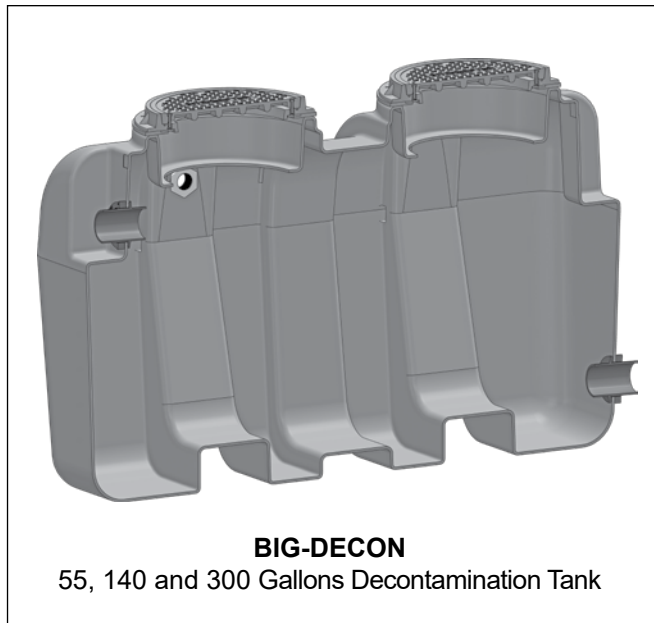
“Consideration should be given to the proper disposal of waste flushing fluids from operating emergency eye wash and shower equipment.” The American National Institute Standard (ANSI Z538.1).

MIFAB has engineered decontamination tanks to serve as the products to fulfill these Code requirements. The Big Max range of H.D.P.E. decontamination tanks are available in 140 and 300 gallons of liquid holding capacity and the SuperMax range of H.D.P.E. decontamination tanks are available in 500, 750, 1000, 1250, 1300, 1500 and 2,000 gallons of liquid holding capacity.

Sizing

1. Determine the number of Fixtures (Showers or eyewash stations)
2. Multiply the number of Fixtures x the flow rate of each fixture (see Fixture Flow Rate Guide below)
3. Multiply the sum of 1 and 2 x the rinse time (15 – 20 minutes is typical)
4. The result determines the size of the decontamination tank required in gallons liquid holding capacity.

Fixture Flow Rate Guide		
VELOCITY	½” LINE	¾” LINE
4 feet / second	3.77 GPM	6.64 GPM
6 feet / second	5.66 GPM	9.96 GPM
8 feet / second	7.54 GPM	13.29 GPM
10 feet / second	9.43 GPM	16.61 GPM



CALIFORNIA PROPOSITION 65 WARNING. This product contains chemicals known to the State of California to cause cancer and birth defects or other reproductive harm.

MIFAB FLOW SPLITTER

MIFAB flow splitters are ideal for installations that have two interceptors installed in parallel. The flow splitter directs the incoming effluent water to the multiple interceptors.

<p>SINGLE INLET WITH THREE OUTLETS (-DT3) MIFAB Model # XL-MI-G-PL-DT3</p> <p>List Price: \$2,049.00</p>	<p>H-20 (20000 lbs.) Load Rated Cover</p> <p>24"</p> <p>18"</p> <p>36"</p> <p>(458.93) 18.07</p> <p>18"</p> <p>3.65"</p> <p>2 1/2"</p> <p>4"</p> <p>21"</p> <p>MIFAB Model # XL-MI-G-PL-DT</p> <p>List Price: \$2,049.00</p>	<p>Note: Add \$126.00 List Price for 6" No Hub Inlet / Outlet Connections (all of them).</p> <p>TOP VIEW</p> <p>SINGLE INLET WITH TWO OUTLETS (-DT) MIFAB Model # XL-MI-G-PL-DT</p> <p>List Price: \$2,049.00</p>
--	---	--

MIFAB SAFETY SHIELD

The issue of open sewer manholes is a real one. Unfortunately, interceptor lids are sometimes not secured properly and / or left off the interceptor. This has resulted in people falling into the interceptor – causing drowning and deaths. MIFAB's solution is the Safety Shield. It is a heavy duty fabricated steel, powder epoxy coated plate with a 450 lb. load rating that is installed underneath the lid, on top of the pipe extension. The Safety Shield provides enough access for inspection and pump out / maintenance while preventing people from falling into the interceptor. It can also be removed for full access to the interceptor. The MIFAB Safety Shield is available with all Big Max and SuperMax interceptors and is to be installed on top of the corrugated pipe extension before the lid assembly is placed on top of the pipe extension.

<p>Big Max Safety Shield</p> <p>Big Max Safety Shield Model # BIG-STR</p> <p>List Price of \$632.00</p>	<p>SuperMax Safety Shield</p> <p>SuperMax Safety Shield Model # SUPER-STR</p> <p>List Price of \$632.00</p>
---	---

Note: A different design of Safety Shield is available from MIFAB for installation after the interceptor is installed in the ground. Contact MIFAB for part number and pricing.

CALIFORNIA PROPOSITION 65 WARNING. This product contains chemicals known to the State of California to cause cancer and birth defects or other reproductive harm.

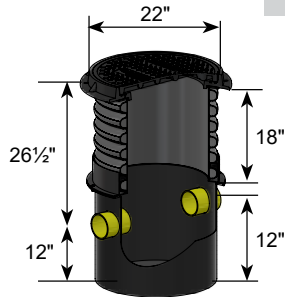
Design and dimensions are subject to modification. Prices do not include applicable taxes. Visit www.mifab.com for the most recent product information.

SAMPLING PORTS

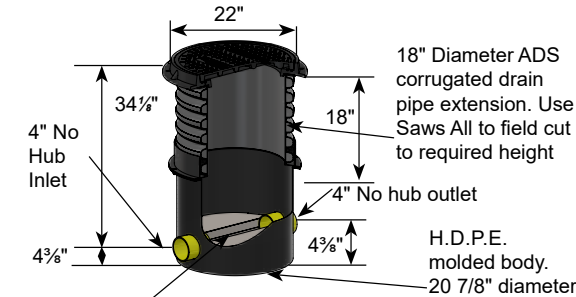
Several areas require the use of sampling ports to provide the local authorities an opportunity to retrieve and test waste water discharged from the grease interceptor to ensure that the FOG contained within the effluent is within requirements. MIFAB offers three models of sampling ports for the Big and Super Max grease interceptors; each with direct connect lids for above ground installation and also with extensions and H-20 load rated lids for in-ground installation. MIFAB offers low profile models of sampling ports for all interceptors. One for inline connection and the other for offset connection.

BELOW GROUND SAMPLING PORTS

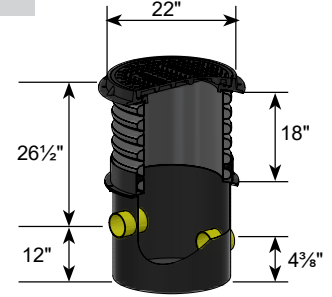
Standard 20,000 lb. AASHTO H-20 load rated steel enased composite, gasketed lid & collar. (Same lid used with the Big Max interceptors)



BIG-SP
List Price - \$2,115.00

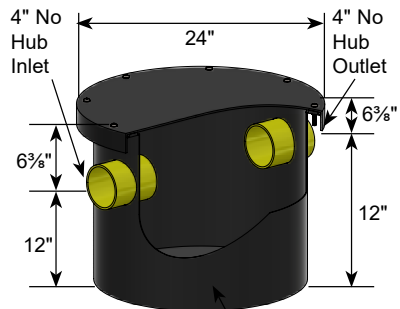


Fabricated stainless steel open top trough to retrieve waste water sample as effluent is flowing.
BIG-SP-L
List Price - \$2,115.00

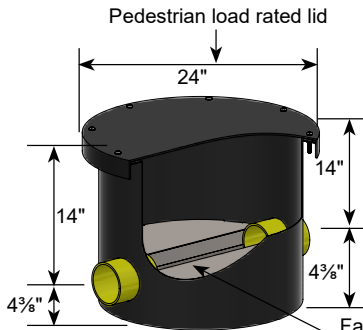


BIG-SP-OF
List Price - \$2,115.00

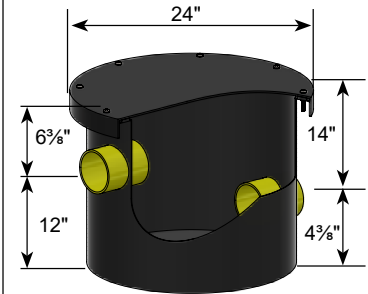
ABOVE GROUND SAMPLING PORTS



H.D.P.E. molded body. 20 7/8" in diameter
BIG-SP-DC
List Price - \$1,673.00



Fabricated stainless steel open top trough to retrieve waste water sample as effluent is flowing.
BIG-SP-L-DC
List Price - \$1,673.00

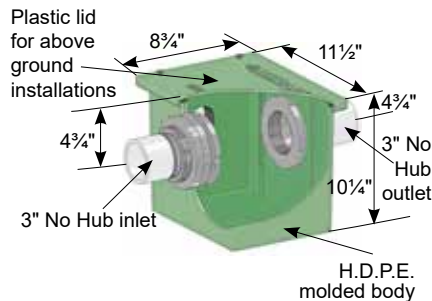


BIG-SP-OF-DC
List Price - \$1,673.00

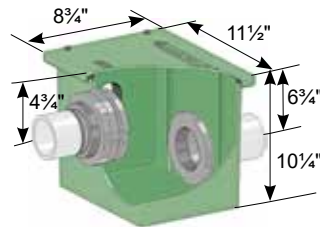


3/4" Drop from the inlet pipe accelerates flow and allows one to collect a sample with the horizontal placement of a collection jar. Part # BIG-SP-TROUGH.

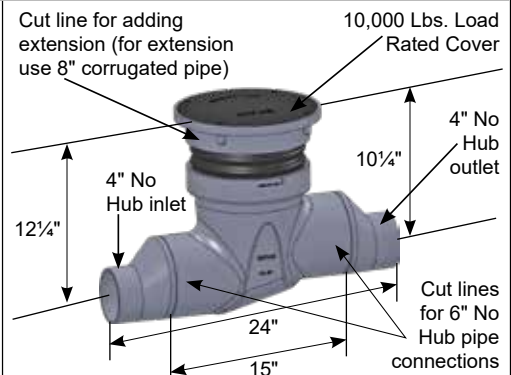
LOW PROFILE SAMPLE PORTS



LIL-SP INLINE
List Price - \$580.00



LIL-SP-OFFSET
List Price - \$580.00



SAMPOR
List Price - \$580.00

CALIFORNIA PROPOSITION 65 WARNING. This product contains chemicals known to the State of California to cause cancer and birth defects or other reproductive harm.

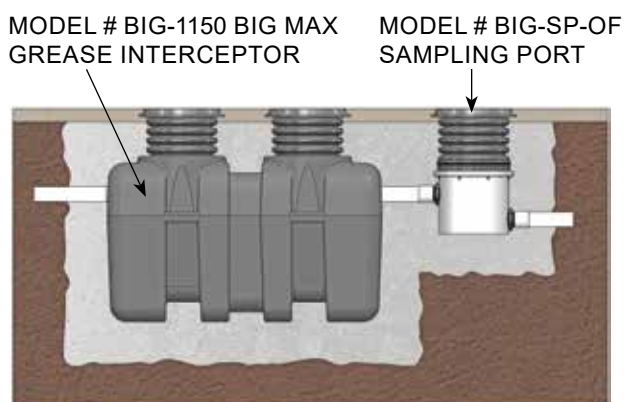
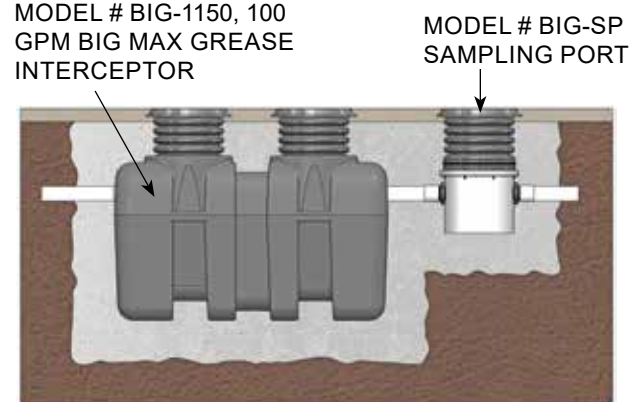
SAMPLING PORTS - FOR SUPERMAX INTERCEPTORS

SUPER-SP
List Price - \$2,115.00

SUPER-SP-L
List Price - \$2,115.00

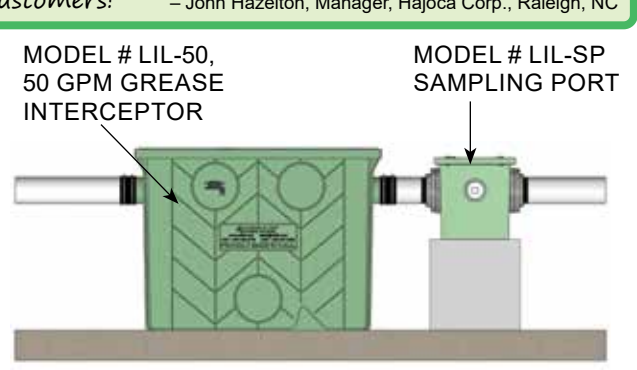
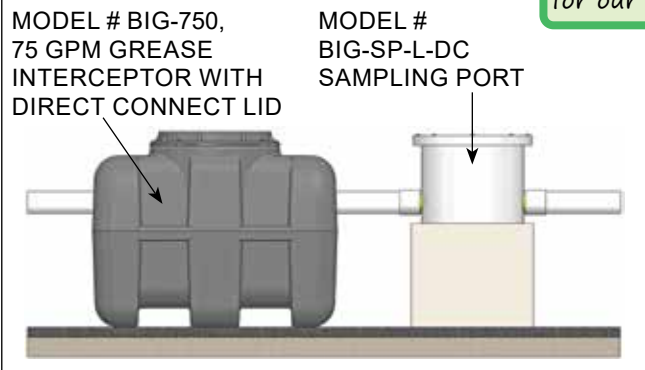
SUPER-SP-OF
List Price - \$2,115.00

BELOW GROUND INSTALLATION



SAMPLE PORT MUST BE PLACED ON A SUITABLE BASE OF COMPACTED SOIL OR UNDISTURBED EARTH IN TRAFFIC CONDITION.

ABOVE GROUND INSTALLATION



"Innovative, high quality HDPE interceptors. MIFAB's very detailed catalog is an excellent resource for our team and for our customers!" – John Hazelton, Manager, Hajoca Corp., Raleigh, NC

CALIFORNIA PROPOSITION 65 WARNING. This product contains chemicals known to the State of California to cause cancer and birth defects or other reproductive harm.

Design and dimensions are subject to modification. Prices do not include applicable taxes. Visit www.mifab.com for the most recent product information.

MIFAB®, Inc., 1321 West 119th Street, Chicago, Illinois 60643-5109, USA
All sales subject to MIFAB's® Terms and Conditions. Please refer to Page 106.

USA Toll Free: 1-800-465-2736 • Fax: 1-773-341-3049
Canada Toll Free: 1-800-387-3880 • sales@mifab.com



SOLIDS, PLASTER, RICE, FISH SCALE, FUR AND SAND INTERCEPTORS - SIZING GUIDELINES

SOLIDS INTERCEPTORS

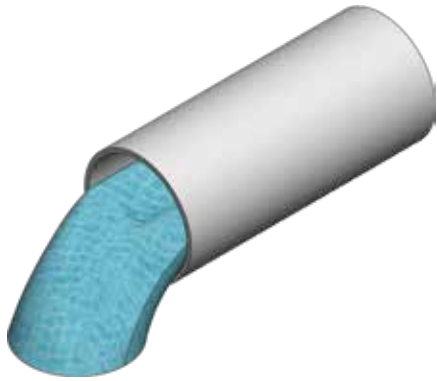
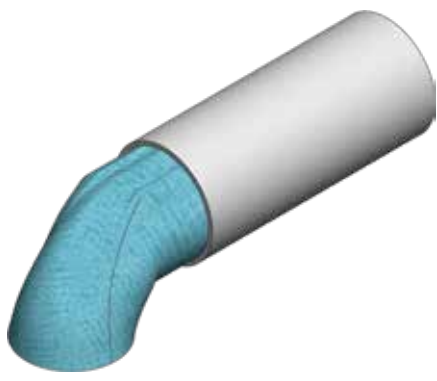
Solids interceptors are required anywhere heavy and suspended solids may be introduced to the public sewer system in applications such as: food waste, machine shops, salons, artist studios, barber shops, dentist offices, laundry facilities, parking lots, car washes, food processing, livestock and agricultural drainage. These wastes must be separated prior to entering the public sewer system. MIFAB® strongly recommends the installation of a solids interceptor before a grease interceptor to ensure that food waste is captured within the solids interceptor before entering the grease interceptor. The application of a solids interceptor, regularly maintained, will make the performance and efficiency of the grease interceptor much better. Solids interceptors come in many different variations - depending on the application. In addition to the traditional solids interceptors, MIFAB offers rice, fish scale, plaster, fur and sand interceptors. All of these variations of solids interceptors should be sized based on pipe size / flow rate (see chart below).

“The adjustable lid is the best part of MIFAB’s Big Max interceptors. It is nice to be able to adjust on site after the install is complete and back filled, rather than trying to pre measure an extension and hold off backfill and concrete until extension has arrived or pre-ordering an extension piece and having to set the oil interceptor to that height while its not very sturdy with backfill. We would definitely use this interceptor again.”

– Chad Kinal, K & S Plumbing, Pelham, Alberta

SOLIDS INTERCEPTOR PRODUCT SELECTION SIZING GUIDELINES

MIFAB® recommends that solids interceptors first be sized by pipe size, then by selecting the unit with the appropriate sediment capacity to provide an acceptable cleaning frequency. For flow rate (GPM) sizing by pipe size (see table below).

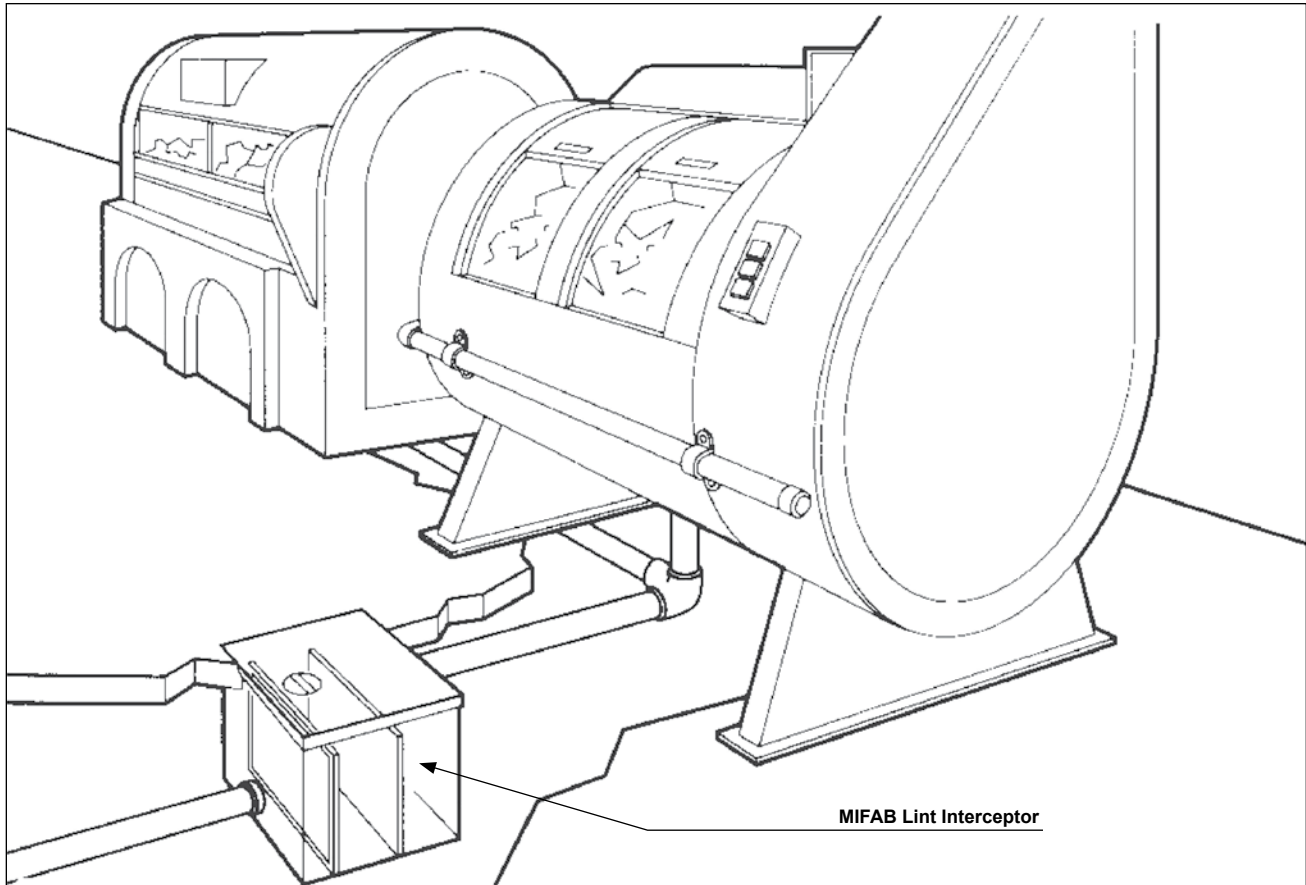
Pipe Size (Nominal)	Per Manning's Formula*	
	Half pipe flow (design flow)	Maximum full pipe flow
2	9.67	19.44
3	29.33	58.67
4	62.96	127.77
6	187.74	375.47
	▲ preferred flow rate	
		

* 1/4" pitch slope based on Manning's Formula with friction factor N=0.12"

CALIFORNIA PROPOSITION 65 WARNING. This product contains chemicals known to the State of California to cause cancer and birth defects or other reproductive harm.

Design and dimensions are subject to modification. Prices do not include applicable taxes. Visit www.mifab.com for the most recent product information.

LINT INTERCEPTORS - SIZING GUIDELINES



Single Load Washing Machine (similar to residential)	Mid Size (18 pounder) Washing Machine	Triple Load Washing Machine
34 U.S. gallons per cycle	34.4 U.S. gallons per cycle	62.2 U.S. gallons per cycle
discharge rate 12.4 U.S. gallons per minute (GPM)	Discharge rate 26 U.S. GPM	Discharge rate 37 U.S. GPM

Sizing example if a laundry system had 1 single load, 1 mid size and a triple load Washing Machine	GPM
1 machine x 12.4 GPM	12.4 GPM
1 machine x 26 GPM	26 GPM
1 machine x 37 GPM	37 GPM
Total	75 GPM required
Therefore a BIG-140-L is required.	

Lint interceptors are designed for laundry equipment. They are connected to the discharge line from any washing machine and intercept debris from the waste water. Lint interceptors contain two stainless steel straining baffles to remove large items, buttons, stones, etc., and lint.

CALIFORNIA PROPOSITION 65 WARNING. This product contains chemicals known to the State of California to cause cancer and birth defects or other reproductive harm.

Design and dimensions are subject to modification. Prices do not include applicable taxes. Visit www.mifab.com for the most recent product information.

REMOTE PUMP OUT (-RPO) PUMP OUT KIT (-POK)

Cleaning a full grease interceptor is a dirty and smelly job. MIFAB offers an efficient alternative to do this – the MIFAB Remote Pump Out Options – RPO and -POK. This ensures that a dirty, greasy hose is not dragged through the inside of the restaurant to connect to the grease interceptor in order to pump it out. Instead, the pump out hose remains outside of the restaurant connected to the grooved threaded coupling on the outside wall.

Install PVC piping, connections, valves and/or hardware from the interceptor pump out port (see Detail # 1 below) to the pump out hook up location (see Detail # 2 below). At the end of the pump out PVC plumbing line, install the supplied PVC socket x MPT nipple. Attached the supplied 3" Cam and grooved threaded coupling onto the pipe nipple using pipe thread sealant or tape. The PVC piping inside of the interceptor is cut to be 1" off the bottom of the interceptor.

The 3" Cam and grooved threaded coupling is installed onto the outside wall of the restaurant. A 3" Cam and grooved cap snaps onto the coupling to seal it when not in use. During the cleaning process, the cap is removed so that the pumper can connect the grease suction hose to the coupling.

The PVC ball valve (see Detail # 3 below) supplied is installed within the PVC pipe (pipe by others) inside of the building. During normal operation of the grease interceptor, ensure

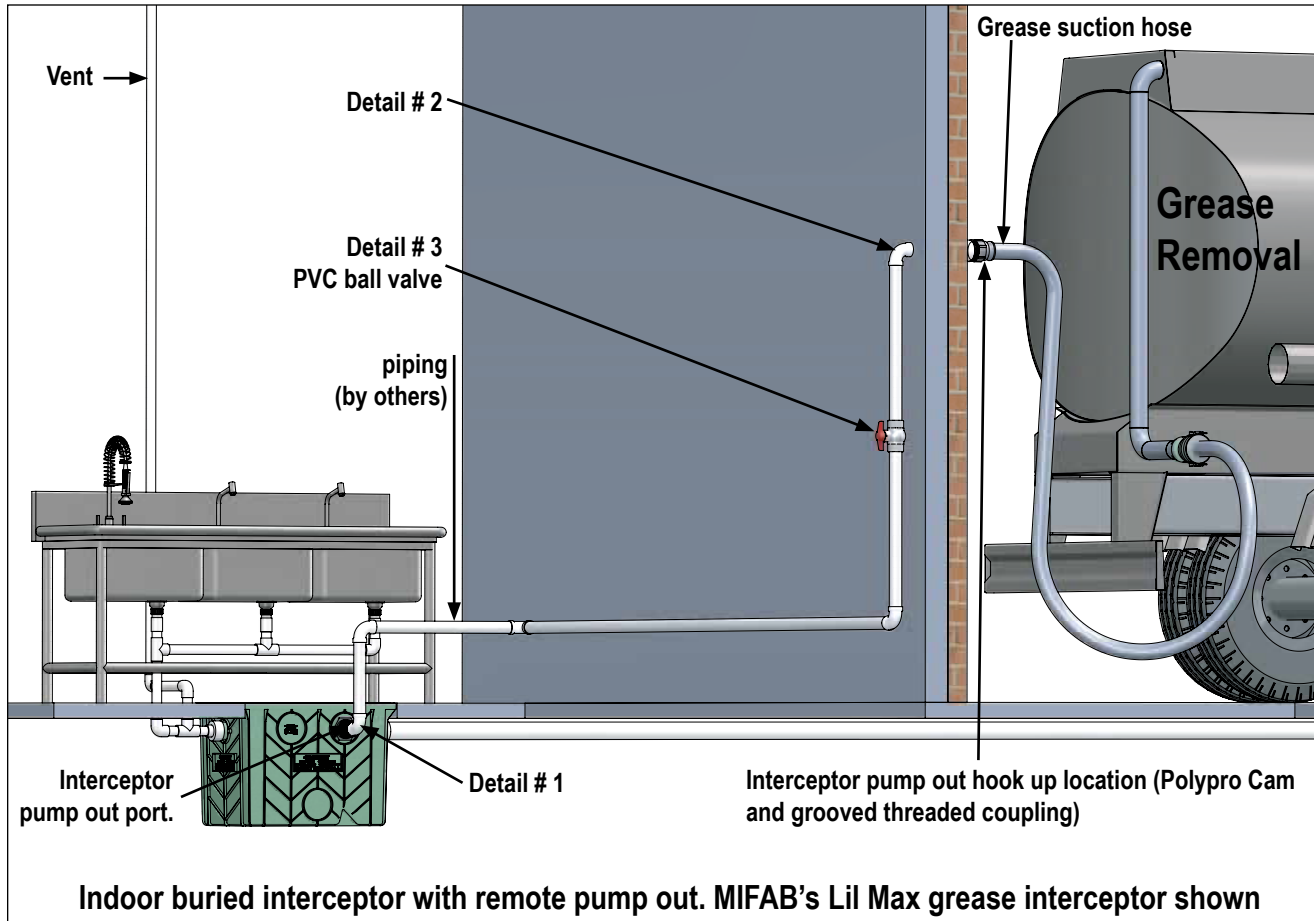
that the PVC ball valve is in the closed position. During the cleaning process, ensure that the PVC ball valve is in the open position.

Note that the maximum vertical distance permitted from the 3" Cam and grooved coupling fastened to the wall and the interceptor pump out port is 21 feet. Also, the maximum horizontal distance from the pumper truck to the interceptor pump out port is 100 feet.

To pump out the interceptor, run the sinks that flow into the interceptor to ensure that it is full of water. Attach the pumper hose to the 3" Cam and grooved coupling. Open the ball valve. Turn on the pump within the pumper truck. Ensure that the interceptor is pumped out and inspect the pump out plumbing for leaks. Close the ball valve.

Install the 3" Cam and grooved cap onto the cam and grooved threaded coupling to seal the remote pump out connection at the outside wall.

MIFAB recommends to pump down the accumulated grease within the interceptor and then run hot water into the interceptor during the final pumping to clear the bottom remnants of the grease within the tank. During many years of discussions with pumpers; we have learned that with or without a pumpout kit, most determine a grease interceptor "pumped" as long as 90% is removed.



CALIFORNIA PROPOSITION 65 WARNING. This product contains chemicals known to the State of California to cause cancer and birth defects or other reproductive harm.

REMOTE PUMP OUT (-RPO) PUMP OUT KIT (-POK)

Lil Max® - LIL-MAX-POK

2" PVC Socket x 3" MPT nipple

2" PVC Pipe

2" SWT x MPT 90 Degree PVC Elbow

2" PVC Threaded Ball Valve (MI-BALLVALVE-2)

3" Polypro Cam and Grooved Threaded Coupling

3" Polypro Cam and Grooved Cap

This assembly is the Remote Pump Out Option (Suffix - RPO)

These components make up the Pump out Kit Option (Suffix -POK) which includes the Remote Pump Out - Suffix -RPO

"I like the MIFAB HDPE Interceptors because I can make money on them. Also, they are so much easier to ship because of their weight."

– Rod Fordahl, Manager, Ferguson, Minneapolis, MN

Big Max® - BIG-MAX-POK

3" Tank Fitting

3" PVC Socket x MPT nipple

3" PVC Pipe

3" Tank Fitting

3" SWT x MPT 90 Degree PVC Elbow

3" PVC Threaded Ball Valve (MI-BALLVALVE-3)

3" Polypro Cam and Grooved Threaded Coupling

3" Polypro Cam and Grooved Cap

This assembly is the Remote Pump Out Option (Suffix - RPO)

These components make up the Pump out Kit Option (Suffix -POK) which includes the Remote Pump Out - Suffix -RPO

Super Max® - SUPER-MAX-POK

3" PVC Socket x MPT nipple

3" Polypro Cam and Grooved Cap

3" Polypro Cam and Grooved Threaded Coupling

3" PVC Threaded Ball Valve (MI-BALLVALVE-3)

3" Tank Fitting

3" PVC Pipe

This assembly is the Remote Pump Out Option (Suffix - RPO)

These components make up the Pump out Kit Option (Suffix -POK) which includes the Remote Pump Out - Suffix -RPO

Contact MIFAB® for alternative Remote Pump Out Locations

CALIFORNIA PROPOSITION 65 WARNING. This product contains chemicals known to the State of California to cause cancer and birth defects or other reproductive harm.

Design and dimensions are subject to modification. Prices do not include applicable taxes. Visit www.mifab.com for the most recent product information.

Specification: MIFAB® MINI-PL is a one piece High Density Polyethylene (HDPE) wet waste interceptor with two removable polycarbonate plastic strainer trays, removable filter, 2" HDPE no hub inlet and 2" HDPE no hub outlet connections and four adjustable support legs.



Function: Used in restaurants, kitchens, bars, institutions and other types of food processing areas where fat, oil and grease (FOG) and food particles drain with the waste water. Installed directly under or close to the drain sink, grease and food particles are trapped prior to entering the municipality mandated grease interceptor. A disposable filter is required for operation. Two types of filters are available - a fine mesh filter specifically designed for coffee grounds and a general use solids filter.

LEGEND: (#1) 2" HDPE no hub inlet spout to hold filter bag (included). (#2) 2" HDPE no hub outlet connection. (#3) Adjustable stainless steel legs (plastic covers, included). (#4) 8" O.D. Opening to remove filter bag (clear lid, included).

2" HDPE no hub inlet connection (Part # RH-SPOUT)

Removable filter for either solids or coffee grounds

Threaded watertight cover to easily access and remove filter (Part # RH-LID-COM)

One piece molded HDPE body (Part # RHG002-Tub)

Adjustable support legs (Part # RH-SS-LEG)

Overall Height 12" Min. 15 3/4" Max

Height Center Drain to Top 9 1/2"

Height Center Drain to Floor 2 1/2" Min. 6 1/4" Max

Limited Lifetime Warranty

(Note: Part # for removable inner plastic trays is RH-TRAY)

REPLACEMENT FILTERS

MIL-FLT

MIL-FLT-COFF

1 1/2"

#2"

12 1/2"

#4"

6 1/4"

14"

Model #	Description	List Price
MINI-PL	One piece HDPE wet waste interceptor	\$525.00

Part No.	Optional Variations	List Price
MINI-FLT-30	Replaceable filter for solids - 30 pack (1 box)	\$139.00
MINI-FLT-CASE	Replaceable filter for solids - case of 12 boxes	\$1,648.00
MINI-FLT-COFF-30	Replaceable filter for coffee grounds - 30 pack (1 box)	\$139.00
MINI-FLT-COFF-CASE	Replaceable filter for coffee grounds - case of 12 boxes	\$1,648.00



The filter for the solids has a typical stitch width of 3/16" (4800 microns). The filter for coffee grounds is made of 20 denier nylon.

CALIFORNIA PROPOSITION 65 WARNING. This product contains chemicals known to the State of California to cause cancer and birth defects or other reproductive harm.

H.D.P.E. WET WASTE INTERCEPTOR, PART NO. MINI-PL

Municipalities require grease interceptors to protect our environment. Unfortunately, a large percentage of clogs occur BEFORE waste water gets to the grease interceptor. Our solution ... Mini Max® Wet Waste Interceptor! Installed directly under any sink right after the P-Trap*, the Mini Max® intercepts 95% of all solids, wet waste, and food particles AT SOURCE. *No P-trap required when draining into a floor sink or any type of open drain.

"I have specified MIFAB's plastic grease interceptors on several of my projects. My experience with MIFAB has been excellent."

– Andy Share, Owner, Share & Associates, Ft. Lauderdale, FL



Click on the above QR Code to view the Mini-Max video


MINI MAX® BENEFITS

- **Eliminates Foul Odors-** by capturing wet waste solids before food decomposition.
- **Reduces Cleaning-** of both grease interceptor and drain line. Less accumulation means less cleaning!
- **Eliminates Back Ups-** by intercepting 95% of FOG and food particles.
- **Minimizes Grease Trap Pumping-** less accumulation of solid waste means fewer pump outs.

Wet waste entering the Mini Max®

Filter raps wet waste

"Wet waste free" liquids are now directed to grease trap

2" HDPE no hub inlet connection

RESULTS GUARANTEED

Mini Max® filter filled with solid waste

THE PROOF IS IN THE FILTER

CALIFORNIA PROPOSITION 65 WARNING. This product contains chemicals known to the State of California to cause cancer and birth defects or other reproductive harm.

Design and dimensions are subject to modification. Prices do not include applicable taxes. Visit www.mifab.com for the most recent product information.

MIFAB®, Inc., 1321 West 119th Street, Chicago, Illinois 60643-5109, USA
 All sales subject to MIFAB's® Terms and Conditions. Please refer to Page 106.

USA Toll Free: 1-800-465-2736 • Fax: 1-773-341-3049
 Canada Toll Free: 1-800-387-3880 • sales@mifab.com

BURY DEPTH ADVANTAGE

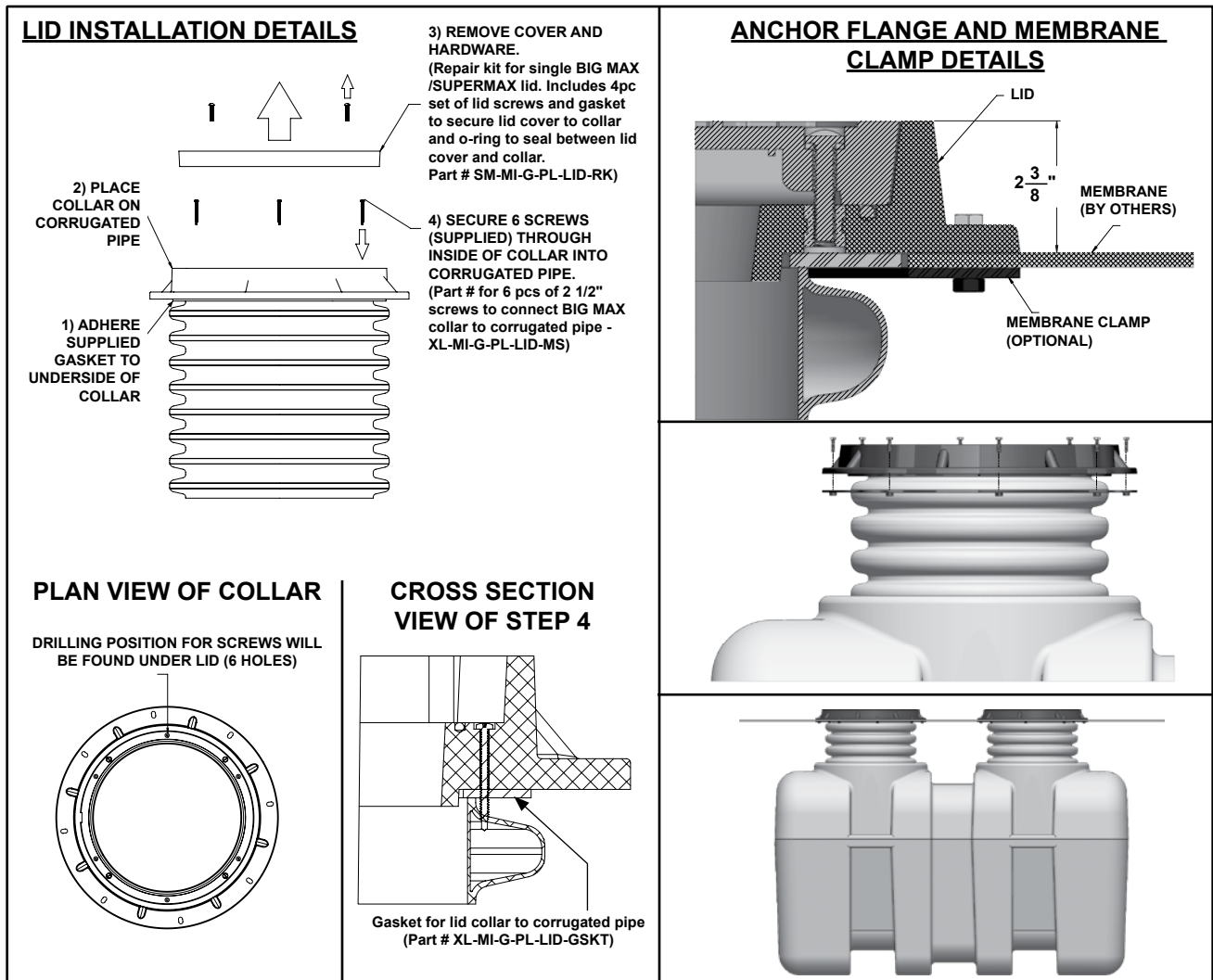
MIFAB's BIG and SuperMax HDPE interceptors are designed and manufactured with structural ribs to give them the capability to withstand earth load forces when installations require interceptors to be buried deep into the ground.

In accordance with IAPMO/ANSI Z1001-2014 (Section 4.3.2) regarding the structural loading of exterior walls for prefabricated gravity grease interceptors, the following models of MIFAB® grease interceptor: are capable of withstanding external earth loads equivalent to pressure exerted by a fluid with a density of 480 kg/m³ (30lb/ft³). The MIFAB® grease interceptors are capable of withstanding earth loads at the max bury depth listed in the following table, assuming the aforementioned density and including a safety factor of 1.5. The max bury depth is measured from the top of the soil to the bottom of the interceptor.

MIFAB® Model #	External Hydrostatic Pressure (lbf/ft ²)	Max Bury Depth (ft)*
BIG-500	600	20
BIG-750	540	18
BIG-1150	310	10
SUPER-500	510	17
SUPER-750	490	16
SUPER-1000	490	16
SUPER-1250	480	16
SUPER-1300	480	16
SUPER-1500	400	13
SUPER-2000	350	10

"It is nice having a manufacturer like MIFAB that has a broad range of products so that we don't have to go to several sources. They are a one stop shop."
 - Joe Ficek of Grumman Butkus, Consulting Engineers, Chicago, IL

*From the top of the soil to the bottom of the grease interceptor



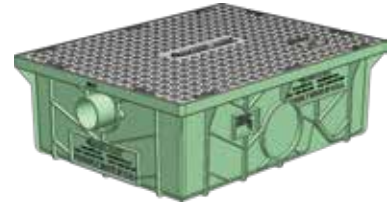
CALIFORNIA PROPOSITION 65 WARNING. This product contains chemicals known to the State of California to cause cancer and birth defects or other reproductive harm.



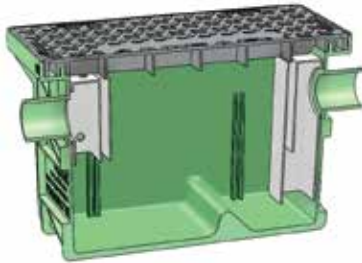
Lil-50-T with threaded connections



7-50 GPM H.D.P.E. Interceptors



Lil-25-LP - low profile grease interceptor (Page # 32)

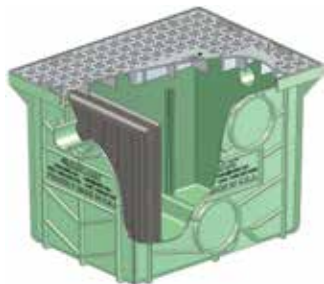


GREASE (Page # 32)

“Relationships are key and having MIFAB in our corner ensures our success. The ability to rely on MIFAB has exceeded our expectations and given Ingenuity a leg up on the competition.”
 – Cristina Salido, Ingenuity Engineers, Orlando, FL



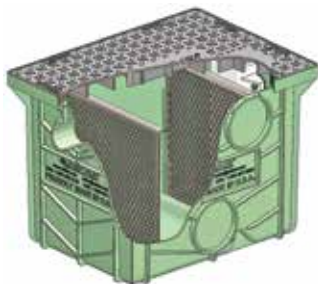
OIL (Page # 33)



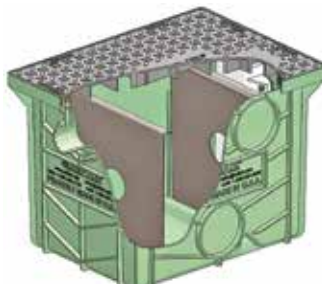
SOLIDS (Page # 34)



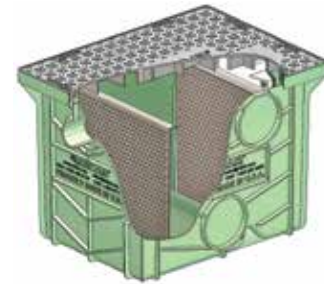
PLASTER (Page # 35)



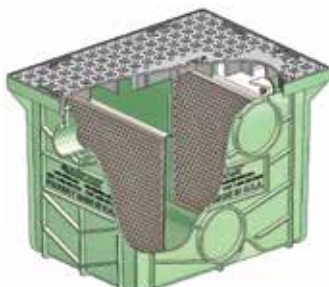
LINT (Page # 36)



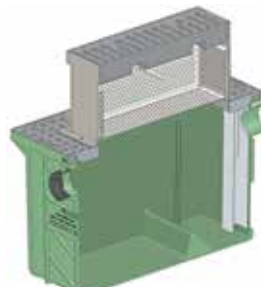
SAND (Page # 37)



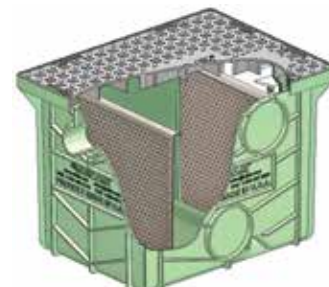
FISH SCALE (Page # 38)



RICE (Page # 39)



OIL / SEDIMENT (Page # 40)



FUR (Page # 41)

CALIFORNIA PROPOSITION 65 WARNING. This product contains chemicals known to the State of California to cause cancer and birth defects or other reproductive harm.

Design and dimensions are subject to modification. Prices do not include applicable taxes. Visit www.mifab.com for the most recent product information.

MIFAB®, Inc., 1321 West 119th Street, Chicago, Illinois 60643-5109, USA
 All sales subject to MIFAB's® Terms and Conditions. Please refer to Page 106.

USA Toll Free: 1-800-465-2736 • Fax: 1-773-341-3049
 Canada Toll Free: 1-800-387-3880 • sales@mifab.com

SIDE VIEW

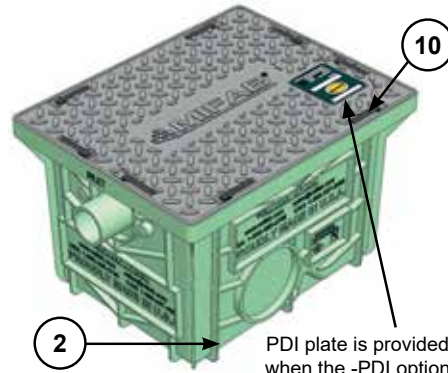
Optional 3/8" thick, Type 304 stainless steel diamond plate cover bolted to the top of the HDPE Lil Max Lid. The lid has 2,000 lb. load capacity with this cover. (Suffix -HD)



Standard Lil Max HDPE Lid

TOP VIEW

Optional Type 304 stainless steel diamond plate cover bolted to top of HDPE Lil Max lid. (Suffix -HD)



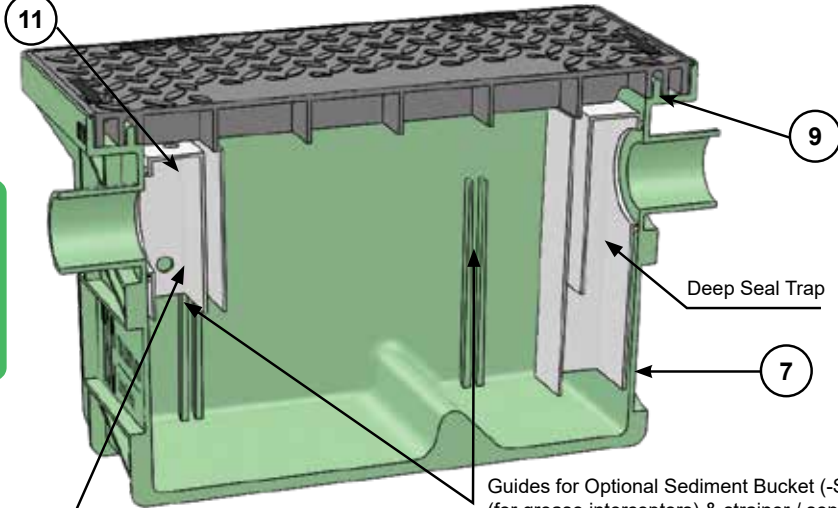
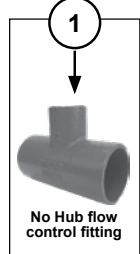
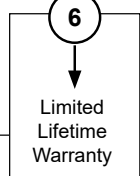
PDI plate is provided when the -PDI option is selected

2

10

5

12



Deep Seal Trap

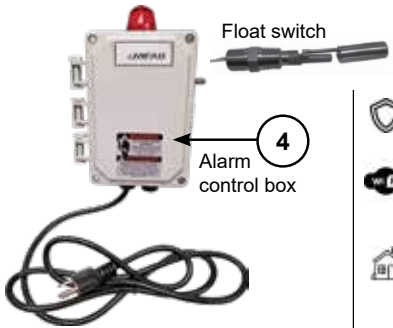
Guides for Optional Sediment Bucket (-SB) (for grease interceptors) & strainer / separation baffles for other types of interceptors.

"My customers like to deal with the MIFAB line."
 - Dan Thomas of Ben Thomas and Associates, Shade Gap, PA

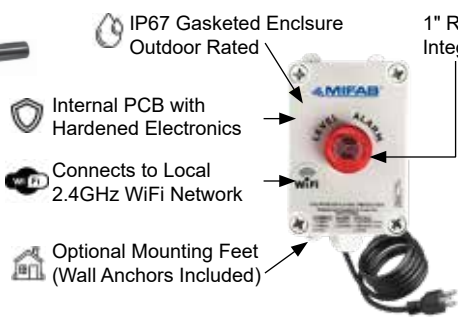
Removable Baffle Assembly



Made in U.S.A.



High Level Alarm Illustrated (Specify suffix -HLA)



Wifi capability is available with the -HLA. Go to the www.mifab.com website for wifi set up procedures. (Specify suffix -HLA-wifi)

1" Red LED with Integrated 90dB Horn



8

All Lil Max interceptors can be shipped via UPS / Fedex

CALIFORNIA PROPOSITION 65 WARNING. This product contains chemicals known to the State of California to cause cancer and birth defects or other reproductive harm.

1. External Vented Flow Control Fitting

All of MIFAB's PDI approved grease interceptors are supplied with an external, vented flow control fitting. Studies have proven that the use of an external, vented flow control fitting results in more effective grease interception because of the air introduced into the drain line through the vent in the top of the flow control fitting. As this air enters the interceptor, grease coats the resulting air bubbles and increases the efficiency of the grease rising to the surface.


2. Structural Integrity

Ribbed body design provides extra structural integrity for in ground installations. The body is manufactured in the USA out of a seamless, injection molded high density polyethylene (H.D.P.E.) with a 3/8" uniform wall thickness. The body is strong but lightweight, allowing it to be installed without the need of a backhoe or crane. All Lil Max interceptors can withstand a temperature of up to and including 180 degrees Fahrenheit.

3. Approvals

All eight of the Lil Max® plastic grease interceptors are tested and certified to the PDI G-101, ASME A112.14.3, and CSA B481 Standards and listed with I.A.P.M.O. Lil Max grease interceptors are also in compliance with International Plumbing Code (I.P.C.) / I.C.C. by I.A.P.M.O.

4. Options and Accessories

MIFAB's 40 years of experience with grease interceptors provides us with a superior knowledge of options and accessories often required with grease interceptors. We can expertly provide any of the following options: dosing pump, enzyme port, high level alarm, multiple inlet and outlet ports, sediment bucket and threaded connections.

5. Made in the USA

MIFAB's plastic grease and oil interceptors are made in the United States of America and meet the requirements of the Buy American Act.

6. Lifetime Warranty

MIFAB® offers a limited lifetime warranty on all of our plastic grease and oil interceptors.

7. Lightweight

MIFAB's Lil Max® plastic grease interceptors are injection molded with Polypropylene material. They weigh significantly less than steel grease interceptors and therefore are much easier to handle and install.

8. Individually Boxed Interceptors

Every Lil Max® plastic grease interceptor is shipped to you in its own cardboard box for easy handling and protection of the product during shipping and handling. All Lil Max interceptors can be shipped via UPS / Fedex.

9. Sealed Lid

The lid sealing gasket is located within the underside of the lid – not in the top of the interceptor. This prevents tearing and wear on the gasket and provides a more secure seal to minimize odors.

10. Easy to Remove Lid

The latches securing the lid to the body are easy to open and are made with an extra wide finger access area. No tools are required to open the lid of the Lil Max® interceptors.

11. Easy to Clean

The internal baffle can be easily removed and the lid covers the entire open area of the inside of the interceptor for complete and unrestricted access to the interior of the interceptor for cleaning.

12. Modularity

The Lil Max® interceptors can be converted at the MIFAB® factory into oil interceptors with the oil draw off and vent connections for applications that require oil interceptors. Lil Max can also be converted into solids, plaster, lint, sand, oil / sediment, fur, rice and fish scale interceptors.

13. Complete Range of Sizes

The Lil Max® grease interceptors are available in 7, 10, 15, 20, 25, 35 and 50 GPM sizes in addition to a 25 GPM low profile model. The 10 through 50 GPM models are also available as oil, solids, plaster, lint, sand, oil / sediment, fur, fish scale and rice interceptors.

14. Strong Lid

Weight load capacity of 350 lbs. with standard HDPE lid.



Made in U.S.A.

CALIFORNIA PROPOSITION 65 WARNING. This product contains chemicals known to the State of California to cause cancer and birth defects or other reproductive harm.

Design and dimensions are subject to modification. Prices do not include applicable taxes. Visit www.mifab.com for the most recent product information.

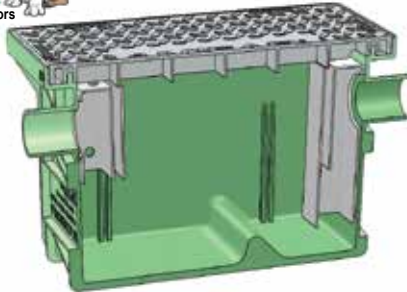
MIFAB®, Inc., 1321 West 119th Street, Chicago, Illinois 60643-5109, USA

All sales subject to MIFAB's® Terms and Conditions. Please refer to Page 106.

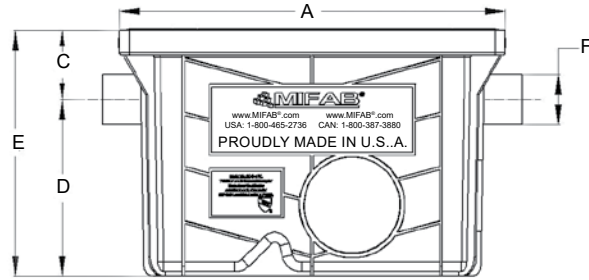
USA Toll Free: 1-800-465-2736 • Fax: 1-773-341-3049
Canada Toll Free: 1-800-387-3880 • sales@mifab.com

Specification: MIFAB® Series Lil-(specify size) HDPE injection molded hydromechanical grease interceptor with flow rating of ____ (indicate) and grease holding capacity of ____ (indicate). Unit shall include: removable baffle assembly, deep seal trap covered by lid, sewer gas stopper, securing latches, internal stainless steel orifice flow control plate, internal air relief by pass, HDPE injection molded, non skid, rectangular gasketed lid(s). Interceptor shall be tested and certified to the P.D.I. Standard PDI-G101 (when installed with an external, vented flow control fitting), CSA B481, A.S.M.E. A112.14.3 and listed with I.A.P.M.O. Lil Max grease interceptors are also in compliance with International Plumbing Code (I.P.C.) / I.C.C. by I.A.P.M.O.

Function: Used in restaurants, kitchens, institutions and other types of food processing areas where fat, oil and grease (FOG) drains with the waste water. Interceptor may be installed on the ground, semi recessed or flush with the floor. Simple latch lid design permits fast and easy removal of the lid for cleaning and maintenance. HDPE injection molded body and lid is covered by a limited lifetime warranty. Sewer gas stopper prevents foul odors from entering the kitchen area through the interceptor. All Lil Max interceptors can withstand a temperature of up to and including 180 degrees Fahrenheit.



Note: Lid has a 350 lb. load capacity



PDI approved when shipped with an external, vented flow control fitting

"It is great to work with MIFAB, with support and technical assistance close at hand."

– Kevin Wood, Suppa Engineering, North Bay, Ontario, Canada

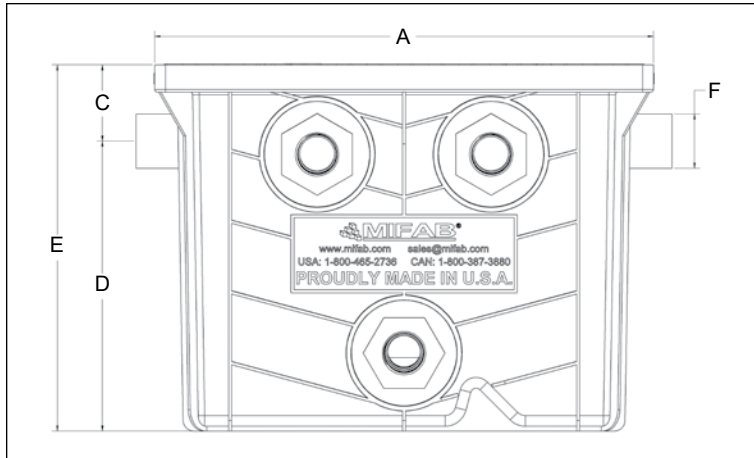
MODEL NO.	FLOW RATE (GPM)	GREASE CAP. (LBS.) per PDI	LIQUID CAP. (Gallons / Cu. Ft.)	GREASE DESIGN CAPACITY (Lbs.)	Sediment Capacity (Gallons)	A (IN)	B (IN) WIDTH	C (IN)	D (IN)	E (IN)	F (IN)	Shipping Weight (lbs.) (in box)	Box Dimensions (L x W x H)	List Price
Lil-7	7	14	5.8 / .75	37	2.0	19.5	15.5	3.5	9	12.5	2	16	22" x 16" x 13"	\$545.00
Lil-10	10	20	9.2 / 1.2	42	2.2	23	17.5	3.5	9.75	13.25	2	25	25" x 18" x 14"	\$585.00
Lil-15	15	30	13 / 1.7	50	3.1	23	17.5	3.5	13.25	16.75	2	28	25" x 18" x 17.5"	\$665.00
Lil-20	20	40	16 / 2.1	73	3.9	29.5	20.5	3.5	10.75	14.25	3	36	32" x 21" x 15"	\$851.00
Lil-25	25	50	23 / 3.1	79	5.6	29.5	20.5	3.5	14.75	18.25	3	39	32" x 21" x 19"	\$858.00
Lil-35	35	70	39 / 5.2	86	10.6	33	25.5	5.5	16.75	22.25	3	52	35" x 26" x 23"	\$1,363.00
Lil-50	50	100	44 / 5.9	109	11.9	33	25.5	5.5	18.75	24.25	3	66	35" x 26" x 25"	\$2,222.00
Lil-25-LP	25	50	19 / 2.54	74	9.1	33	25.5	3.5	7.50	11.00	3	43	35" x 26" x 13"	\$858.00

SUFFIX	OPTIONAL VARIATIONS	PART NO.	LIST PRICE
-C	Extension "C" as required (up to 9" increments) (for models Lil-20 and Lil-25)	Lil-25-EXT	\$471.00
-C	Extension "C" as required (up to 9" increments) (for models Lil-35, Lil-50 and Lil-25-LP)	Lil-50-EXT	\$471.00
-DP	Dosing Pump for Lil Max, Big Max, SuperMax (includes the -EP enzyme port)	XL-MI-PL-DP	\$980.00
-EP	Enzyme port for Lil Max, Big Max, SuperMax	XL-MI-PL-EP	\$77.00
-F	Connection sizes different from standard (specify size) (by using a MIFAB increasing / reducing coupling)	Contact MIFAB	\$73.00
-HD	Heavy duty 10 gauge steel lid (up to 2,000 lbs. load bearing) (See page 30 for image)	Contact MIFAB	\$1,146.00
-HLA	High level alarm and float switch (to be installed on site) (for Lil Max, Big Max, SuperMax)	XL-MI-PL-HLA	\$2,700.00
-LHSI	No hub inlet on left hand side (not available with sediment bucket) (for Lil Max, Big Max, SuperMax)	MI-G-PL-PF4	\$77.00
-LHSO	No hub outlet on left hand side (not available with sediment bucket) (for Lil Max, Big Max, SuperMax)	MI-G-PL-PF4	\$77.00
-PDI	PDI plate and external, vented flow control fitting (to meet PDI G-101 Standard)	-PDI	No Add
-POK	Remote pump out kit (specify location and number required)	LIL-MAX-POK	\$200.00
-RHSI	No hub inlet on right hand side (not available with sediment bucket) (for Lil Max, Big Max, SuperMax)	MI-G-PL-PF4	\$77.00
-RHSO	No hub outlet on right hand side (not available with sediment bucket) (for Lil Max, Big Max, SuperMax)	MI-G-PL-PF4	\$77.00
-RPO	2" Remote pump outlet connections on top of interceptor - specify location and number required	LIL-MAX-RPO	\$126.00
-SB	Sediment bucket for Lil-7	MI-G-1-PL-PSB	\$315.00
-SB	Sediment bucket for Lil-10	MI-G-2-PL-PSB	\$339.00
-SB	Sediment bucket for Lil-15	MI-G-3-PL-PSB	\$362.00
-SB	Sediment bucket for Lil-20	MI-G-4-PL-PSB	\$378.00
-SB	Sediment bucket for Lil-25	MI-G-5-PL-PSB	\$412.00
-SB	Sediment bucket for Lil-35	MI-G-6-PL-PSB	\$424.00
-SB	Sediment bucket for Lil-50	MI-G-7-PL-PSB	\$441.00
-SB	Sediment bucket for Lil-25-LP	MI-G-5-PL-PSB-FSCR	\$320.00
-SP-IN	External sampling port - inline	Lil-SP	\$580.00
-SP-OFF	External sampling port - offset	SAMPOR	\$580.00
-T	Female threaded connections (for Lil Max, Big Max, SuperMax - 2 pcs. Included)	MI-G-PL-PF4T	\$150.00

CALIFORNIA PROPOSITION 65 WARNING. This product contains chemicals known to the State of California to cause cancer and birth defects or other reproductive harm.

Specification: MIFAB® Series Lil-(specify size)-O HDPE injection molded oil interceptor with flow rating of ____ (indicate) and oil storage holding capacity of ____ (indicate). Unit shall include: sediment bucket (1/4" diameter holes) with perforated baffle (3/8" Dia. holes, 1/2" apart) near inlet, deep seal trap covered by lid, sewer gas stopper, securing latches, stainless steel calibrated orifice plate, internal air relief by-pass, adjustable automatic draw-off assembly, double vent connection on each side, and HDPE injection molded, non skid, rectangular gasketed lid(s).

Function: Oil interceptors are required anywhere oil and sand may be introduced to the public sewer system in applications such as: repair garages, oil change stations, car wash facilities, parking garages, parking lots, hydraulic elevator pits and facilities where oil and flammable liquid waste are produced as a result of manufacturing, storage, maintenance, repair or testing processes. The interceptor collects the oil before it is drained to an adjacent storage tank through an adjustable draw off system. Sediment and debris are collected inside of the internal sediment bucket. Regular maintenance is required to keep the interceptor functioning. Interceptor may be installed on the ground, semi recessed or flush with the floor. Sewer gas stopper prevents foul odors from entering the facility through the interceptor. Simple latch design permits fast and easy removal of the lid for cleaning and maintenance. HDPE injection molded body and lid are covered by a limited lifetime warranty. All Lil Max interceptors can withstand a temperature of up to and including 180 degrees Fahrenheit.



MODEL NO.	FLOW RATE (GPM)	LIQUID CAP. (Gallons / Cu. Ft.)	OIL STORAGE HOLDING CAPACITY (Gallons)	SAND CAP. (Gallons)	A (IN)	B (IN) WIDTH	C (IN)	D (IN)	E (IN)	F (IN)	Shipping Weight (lbs.) (in box)	Box Dimensions (L x W x H)	List Price (Oil Interceptor)	List Price (Holding Tank)
Lil-10-O	10	9.2 / 1.2	6.1	.65	23	17.5	3.5	9.75	13.25	2	30	25" x 18" x 14"	\$1,154.00	\$1,154.00
Lil-15-O	15	13 / 1.7	8.6	.9	23	17.5	3.5	13.25	16.75	2	33	25" x 18" x 17.5"	\$1,400.00	\$1,288.00
Lil-20-O	20	16 / 2.1	10.6	1.1	29.5	20.5	3.5	10.75	14.25	3	41	32" x 21" x 15"	\$1,501.00	\$1,443.00
Lil-25-O	25	23 / 3.1	16.4	6.2	29.5	20.5	3.5	14.75	18.25	3	44	32" x 21" x 19"	\$1,700.00	\$1,591.00
Lil-35-O	35	39 / 5.2	28.7	6.6	33	25.5	5.5	16.75	22.25	3	57	35" x 26" x 23"	\$2,200.00	\$2,097.00
Lil-50-O	50	44 / 5.9	32.4	7.0	33	25.5	5.5	18.75	24.25	3	71	35" x 26" x 25"	\$2,700.00	\$2,700.00

SUFFIX	OPTIONAL VARIATIONS	PART NO.	LIST PRICE
-C	Extension "C" as required (up to 9" increments) (for models Lil-20-O and Lil-25-O)	Lil-25-EXT	\$471.00
-C	Extension "C" as required (up to 9" increments) (for models Lil-35-O and Lil-50-O)	Lil-50-EXT	\$471.00
-COA	Coalescer pack	LIL-*.COA	\$3,129.00
-F	Connection sizes different from standard (specify size) (by using a MIFAB increasing / reducing coupling)	Contact MIFAB	\$73.00
-FLC	External, vented flow control fitting (Specify Size)	Contact MIFAB	\$73.00
-HD	Heavy duty 10 gauge steel lid (up to 2,000 lbs. load bearing) (See page 30 for image)	Contact MIFAB	\$1,146.00
-HLA	High level alarm and float switch (to be installed on site) (for Lil Max, Big Max, SuperMax)	XL-MI-PL-HLA	\$2,700.00
-HT	Holding tank	Contact MIFAB	See Above
-LHSI	No hub inlet on left hand side (not available with sediment bucket) (for Lil Max, Big Max, SuperMax)	MI-G-PL-PF4	\$77.00
-LHSO	No hub outlet on left hand side (not available with sediment bucket) (for Lil Max, Big Max, SuperMax)	MI-G-PL-PF4	\$77.00
-POK	Remote pump out kit (specify location and number required)	LIL-MAX-POK	\$200.00
-RHSI	No hub inlet on right hand side (not available with sediment bucket) (for Lil Max, Big Max, SuperMax)	MI-G-PL-PF4	\$77.00
-RHSO	No hub outlet on right hand side (not available with sediment bucket) (for Lil Max, Big Max, SuperMax)	MI-G-PL-PF4	\$77.00
-RPO	2" Remote pump outlet connections on top of interceptor - specify location and number required	LIL-MAX-RPO	\$126.00
-SP-IN	External sampling port - inline	Lil-SP	\$580.00
-SP-OF	External sampling port - offset	SAMPORF	\$580.00
-T	Female threaded connections (for Lil Max, Big Max, SuperMax - 2 pcs. Included)	MI-G-PL-PF4T	\$150.00

CALIFORNIA PROPOSITION 65 WARNING. This product contains chemicals known to the State of California to cause cancer and birth defects or other reproductive harm.

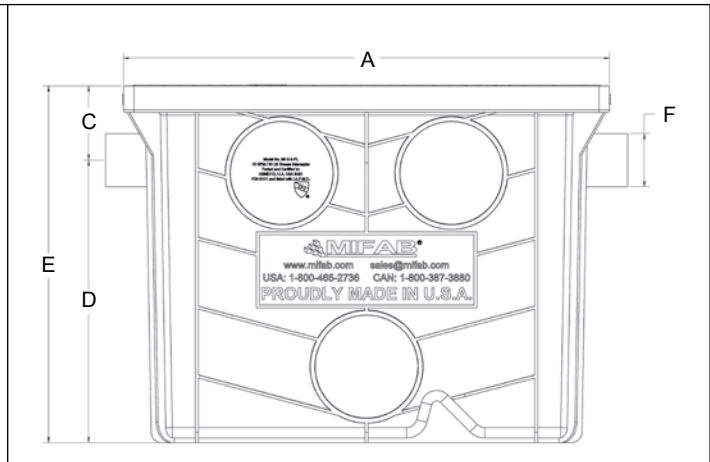
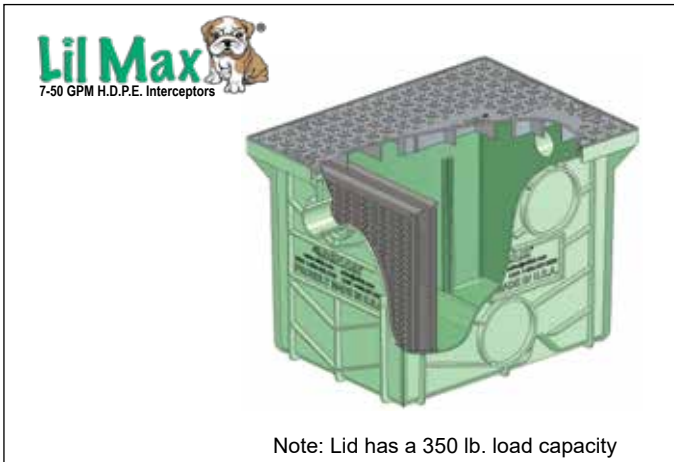
Design and dimensions are subject to modification. Prices do not include applicable taxes. Visit www.mifab.com for the most recent product information.

Specification: MIFAB® Lil-(specify size)-S HDPE injection molded solids interceptor with flow rating of ____ (indicate) and solids storage holding capacity of ____ (indicate). Unit shall include: internal perforated sediment bucket (3/8" Dia. holes, 1/2" apart) with coarse screen and HDPE injection molded, non skid, rectangular gasketed lid with securing latches.

Function: Solids interceptors are required anywhere that solids may be introduced into the public sewer system in applications such as: barber shops, dentist offices, salons, artist studios, laundry facilities, machine shops, food waste, parking lots, car washes, food processing, livestock and agricultural drainage. These wastes must be separated before entering the sewer system.

Typically installed between the grease interceptor and the fixtures served either on or recessed in the floor. The solids interceptor will filter out solids and sediment from the fixture waste line before entering the related grease interceptor to reduce clogging and improve performance. Interceptor is cleaned by removing top access gasketed lid and accessing the internal sediment bucket.

Simple latch design permits fast and easy removal of the lid for cleaning and maintenance. HDPE injection molded body and lid are covered by a limited lifetime warranty. All Lil Max interceptors can withstand a temperature of up to and including 180 degrees Fahrenheit.



MODEL NO.	FLOW RATE (GPM)	LIQUID CAP. (Gallons / Cu. Ft.)	SOLIDS CAP. (Gallons / Cu. Ft.)	A (IN)	B (IN) WIDTH	C (IN)	D (IN)	E (IN)	F (IN)	Shipping Weight (lbs.) (in box)	Box Dimensions (L x W x H)	List Price
Lil-7-S	7	5.8 / .75	3 / .40	19.5	15.5	3.5	9	12.5	2	21	22" x 16" x 13"	\$1,023.00
Lil-10-S	10	9.2 / 1.2	4.5 / .61	23	17.5	3.5	9.75	13.25	2	30	25" x 18" x 14"	\$1,137.00
Lil-15-S	15	13 / 1.7	6.5 / .87	23	17.5	3.5	13.25	16.75	2	33	25" x 18" x 17.5"	\$1,400.00
Lil-20-S	20	16 / 2.1	8 / 1.10	29.5	20.5	3.5	10.75	14.25	3	41	32" x 21" x 15"	\$1,818.00
Lil-25-S	25	23 / 3.1	11.5 / 1.54	29.5	20.5	3.5	14.75	18.25	3	44	32" x 21" x 19"	\$2,000.00
Lil-35-S	35	39 / 5.2	20 / 2.70	33	25.5	5.5	16.75	22.25	3	57	35" x 26" x 23"	\$2,500.00
Lil-50-S	50	44 / 5.9	22 / 2.95	33	25.5	5.5	18.75	24.25	3	71	35" x 26" x 25"	\$3,400.00

SUFFIX	OPTIONAL VARIATIONS	PART NO.	LIST PRICE
-C	Extension "C" as required (up to 9" increments) (for models Lil-20-S and Lil-25-S)	Lil-25-EXT	\$471.00
-C	Extension "C" as required (up to 9" increments) (for models Lil-35-S and Lil-50-S)	Lil-50-EXT	\$471.00
-F	Connection sizes different from standard (specify size) (by using a MIFAB increasing / reducing coupling)	Contact MIFAB	\$73.00
-FSCR	Stainless steel fine screen sediment bucket for Lil-7-S	MI-G-1-PL-PSB-FSCR	\$362.00
-FSCR	Stainless steel fine screen sediment bucket for Lil-10-S	MI-G-2-PL-PSB-FSCR	\$453.00
-FSCR	Stainless steel fine screen sediment bucket for Lil-15-S	MI-G-3-PL-PSB-FSCR	\$499.00
-FSCR	Stainless steel fine screen sediment bucket for Lil-20-S	MI-G-4-PL-PSB-FSCR	\$555.00
-FSCR	Stainless steel fine screen sediment bucket for Lil-25-S	MI-G-5-PL-PSB-FSCR	\$613.00
-FSCR	Stainless steel fine screen sediment bucket for Lil-35-S	MI-G-6-PL-PSB-FSCR	\$664.00
-FSCR	Stainless steel fine screen sediment bucket for Lil-50-S	MI-G-7-PL-PSB-FSCR	\$722.00
-HD	Heavy duty 10 gauge steel lid (up to 2,000 lbs. load bearing) (See page 30 for image)	Contact MIFAB	\$1,146.00
-LHSI	No hub inlet on left hand side (not available with sediment bucket) (for Lil Max, Big Max, SuperMax)	MI-G-PL-PF4	\$73.00
-LHSO	No hub outlet on left hand side (not available with sediment bucket) (for Lil Max, Big Max, SuperMax)	MI-G-PL-PF4	\$73.00
-RHSI	No hub inlet on right hand side (not available with sediment bucket) (for Lil Max, Big Max, SuperMax)	MI-G-PL-PF4	\$73.00
-RHSO	No hub outlet on right hand side (not available with sediment bucket) (for Lil Max, Big Max, SuperMax)	MI-G-PL-PF4	\$73.00
-SP-IN	External sampling port - inline	Lil-SP	\$580.00
-SP-OFF	External sampling port - offset	SAMPORT	\$580.00
-T	Female threaded connections (for Lil Max, Big Max, SuperMax - 2 pcs. Included)	MI-G-PL-PF4T	\$150.00

"Our company has benefited greatly from the ease of the installation of MIFAB's plastic interceptors. They have proven to be a quality product that also performs well. Can't ask for much more than that, easy to install and does the job that it was designed to do."

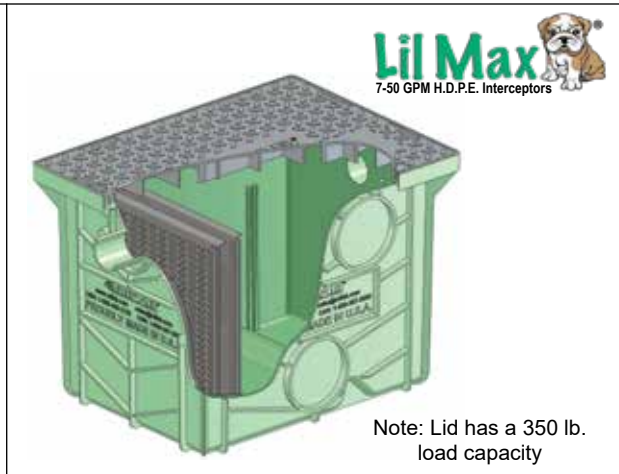
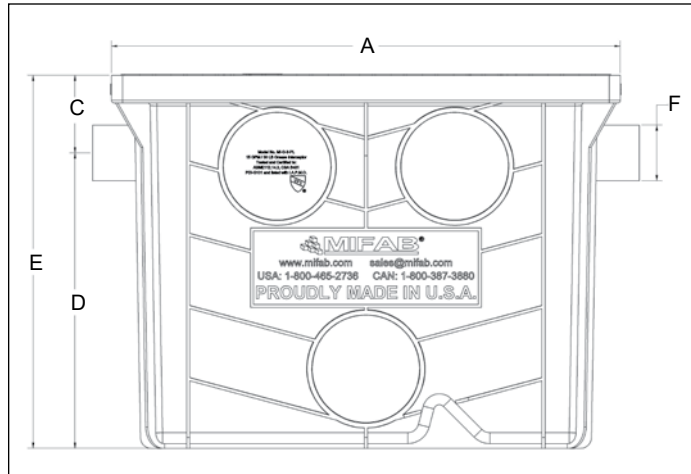
- David Olstad Jr., General Manager, TDR Plumbing, Monroe, NC

CALIFORNIA PROPOSITION 65 WARNING. This product contains chemicals known to the State of California to cause cancer and birth defects or other reproductive harm.

Design and dimensions are subject to modification. Prices do not include applicable taxes. Visit www.mifab.com for the most recent product information.

Specification: MIFAB® Lil-(specify size)-PL HDPE injection molded plaster interceptor with flow rating of ____ (indicate) and solids storage (3/8" Dia. holes, 1/2" apart). Unit shall include: two internal straining baffles (3/8" Dia. holes, 1/2" apart) and HDPE injection molded, non skid, rectangular gasketed lid with securing latches.

Function: Plaster interceptors are required anywhere that solids may be introduced into the public sewer system in applications such as: barber shops, dentist offices, salons, artist studios, laundry facilities, machine shops, food waste, parking lots, car washes, food processing, livestock and agricultural drainage. These wastes must be separated before entering the sewer system. Typically installed either on or recessed in the floor. The plaster interceptor will filter out plaster and sediment from the fixture waste line before entering the pipe system to reduce clogging and improve performance. Interceptor is cleaned by removing the top gasketed lid and accessing the internal sediment bucket. Simple latch design permits fast and easy removal of the lid for cleaning and maintenance. HDPE injection molded body and lid are covered by a limited lifetime warranty. All Lil Max interceptors can withstand a temperature of up to and including 180 degrees Fahrenheit.



MODEL NO.	FLOW RATE (GPM)	LIQUID CAP. (Gallons / Cu. Ft.)	SOLIDS CAP. (Gallons / Cu. Ft.)	A (IN)	B (IN) WIDTH	C (IN)	D (IN)	E (IN)	F (IN)	Shipping Weight (lbs.) (in box)	Box Dimensions (L x W x H)	List Price
Lil-7-PL	7	5.8 / .75	3 / .40	19.5	15.5	3.5	9	12.5	2	21	22" x 16" x 13"	\$1,023.00
Lil-10-PL	10	9.2 / 1.2	4.5 / .61	23	17.5	3.5	9.75	13.25	2	30	25" x 18" x 14"	\$1,137.00
Lil-15-PL	15	13 / 1.7	6.5 / .87	23	17.5	3.5	13.25	16.75	2	33	25" x 18" x 17.5"	\$1,400.00
Lil-20-PL	20	16 / 2.1	8 / 1.10	29.5	20.5	3.5	10.75	14.25	3	41	32" x 21" x 15"	\$1,818.00
Lil-25-PL	25	23 / 3.1	11.5 / 1.54	29.5	20.5	3.5	14.75	18.25	3	44	32" x 21" x 19"	\$2,000.00
Lil-35-PL	35	39 / 5.2	20 / 2.70	33	25.5	5.5	16.75	22.25	3	57	35" x 26" x 23"	\$2,500.00
Lil-50-PL	50	44 / 5.9	22 / 2.95	33	25.5	5.5	18.75	24.25	3	71	35" x 26" x 25"	\$3,400.00

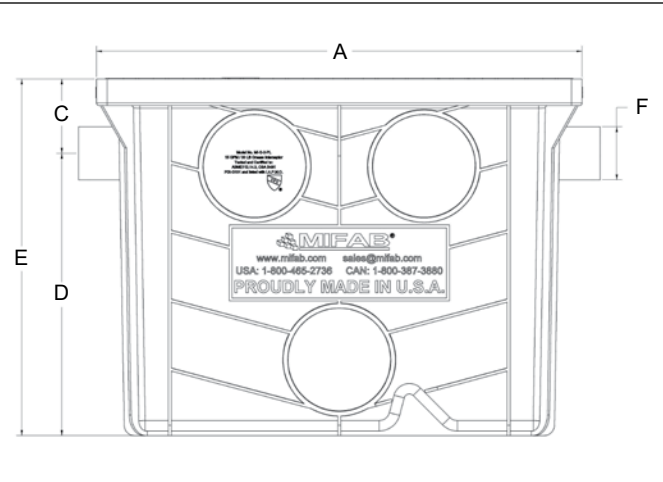
SUFFIX	OPTIONAL VARIATIONS	PART NO.	LIST PRICE
-C	Extension "C" as required (up to 9" increments) (for models Lil-20-PL and Lil-25-PL)	Lil-25-EXT	\$471.00
-C	Extension "C" as required (up to 9" increments) (for models Lil-35-PL and Lil-50-PL)	Lil-50-EXT	\$471.00
-F	Connection sizes different from standard (specify size) (by using a MIFAB increasing / reducing coupling)	Contact MIFAB	\$73.00
-FSCR	Stainless steel fine screen sediment bucket for Lil-7-PL	MI-G-1-PL-PSB-FSCR	\$362.00
-FSCR	Stainless steel fine screen sediment bucket for Lil-10-PL	MI-G-2-PL-PSB-FSCR	\$453.00
-FSCR	Stainless steel fine screen sediment bucket for Lil-15-PL	MI-G-3-PL-PSB-FSCR	\$499.00
-FSCR	Stainless steel fine screen sediment bucket for Lil-20-PL	MI-G-4-PL-PSB-FSCR	\$555.00
-FSCR	Stainless steel fine screen sediment bucket for Lil-25-PL	MI-G-5-PL-PSB-FSCR	\$613.00
-FSCR	Stainless steel fine screen sediment bucket for Lil-35-PL	MI-G-6-PL-PSB-FSCR	\$664.00
-FSCR	Stainless steel fine screen sediment bucket for Lil-50-PL	MI-G-7-PL-PSB-FSCR	\$722.00
-HD	Heavy duty 10 gauge steel lid (up to 2,000 lbs. load bearing) (See page 30 for image)	Contact MIFAB	\$1,146.00
-LHSI	No hub inlet on left hand side (not available with sediment bucket) (for Lil Max, Big Max, SuperMax)	MI-G-PL-PF4	\$73.00
-LHSO	No hub outlet on left hand side (not available with sediment bucket) (for Lil Max, Big Max, SuperMax)	MI-G-PL-PF4	\$73.00
-RHSI	No hub inlet on right hand side (not available with sediment bucket) (for Lil Max, Big Max, SuperMax)	MI-G-PL-PF4	\$73.00
-RHSO	No hub outlet on right hand side (not available with sediment bucket) (for Lil Max, Big Max, SuperMax)	MI-G-PL-PF4	\$73.00
-SP-IN	External sampling port - inline	Lil-SP	\$580.00
-SP-OF	External sampling port - offset	SAMPOR	\$580.00
-T	Female threaded connections (for Lil Max, Big Max, SuperMax - 2 pcs. Included)	MI-G-PL-PF4T	\$150.00

CALIFORNIA PROPOSITION 65 WARNING. This product contains chemicals known to the State of California to cause cancer and birth defects or other reproductive harm.

Design and dimensions are subject to modification. Prices do not include applicable taxes. Visit www.mifab.com for the most recent product information.

Specification: MIFAB® Series Lil-(specify size)-L HDPE injection molded lint interceptor with flow rating of ____ (indicate) and liquid holding capacity of ____ (indicate). Unit shall include: two internal straining baffles with 3/8" diameter holes spaced 1/2" apart, internal deep seal trap, and HDPE injection molded, non skid, rectangular gasketed lid with securing latches.

Function: Used in maintenance facilities to receive waste water that contains lint. Typically installed either on or recessed in the floor. Regular maintenance is required to keep the interceptor functioning. The lint interceptor will filter out lint and sediment from the fixture waste line before entering the pipe system to reduce clogging. Interceptor is cleaned by removing the top gasketed lid and accessing the internal straining baffle. Simple latch design permits fast and easy removal of the lid for cleaning and maintenance. HDPE injection molded body and lid are covered by a limited lifetime warranty. All Lil Max interceptors can withstand a temperature of up to and including 180 degrees Fahrenheit.



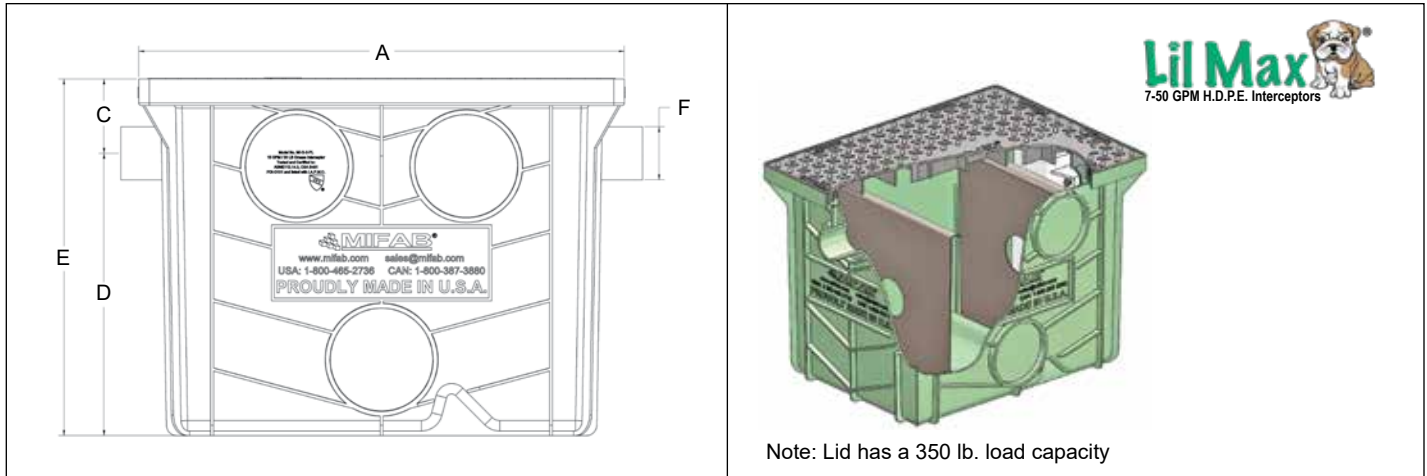
MODEL NO.	FLOW RATE (GPM)	Number of Washing Machines	LIQUID CAP. (Gallons / Cu. Ft.)	SOLIDS CAP. (Gallons / Cu. Ft.)	A (IN)	B (IN) WIDTH	C (IN)	D (IN)	E (IN)	F (IN)	Shipping Weight (lbs.) (in box)	Box Dimensions (L x W x H)	List Price
Lil-7-L	7	1	5.8 / .75	3 / .40	19.5	15.5	3.5	9	12.5	2	21	22" x 16" x 13"	\$1,023.00
Lil-10-L	10	2	9.2 / 1.2	4.5 / .61	23	17.5	3.5	9.75	13.25	2	30	25" x 18" x 14"	\$1,137.00
Lil-15-L	15	2	13 / 1.7	6.5 / .87	23	17.5	3.5	13.25	16.75	2	33	25" x 18" x 17.5"	\$1,400.00
Lil-20-L	20	3	16 / 2.1	8 / 1.10	29.5	20.5	3.5	10.75	14.25	3	41	32" x 21" x 15"	\$1,818.00
Lil-25-L	25	4	23 / 3.1	11.5 / 1.54	29.5	20.5	3.5	14.75	18.25	3	44	32" x 21" x 19"	\$2,000.00
Lil-35-L	35	7	39 / 5.2	20 / 2.70	33	25.5	5.5	16.75	22.25	3	57	35" x 26" x 23"	\$2,500.00
Lil-50-L	50	8	44 / 5.9	22 / 2.95	33	25.5	5.5	18.75	24.25	3	71	35" x 26" x 25"	\$3,400.00

SUFFIX	OPTIONAL VARIATIONS	PART NO.	LIST PRICE
-C	Extension "C" as required (up to 9" increments) (for models Lil-20-L and Lil-25-L)	Lil-25-EXT	\$471.00
-C	Extension "C" as required (up to 9" increments) (for models Lil-35-L and Lil-50-L)	Lil-50-EXT	\$471.00
-F	Connection sizes different from standard (specify size) (by using a MIFAB increasing / reducing coupling)	Contact MIFAB	\$73.00
-FSCR	Stainless steel fine screen sediment bucket for Lil-7-L	MI-G-1-PL-PSB-FSCR	\$362.00
-FSCR	Stainless steel fine screen sediment bucket for Lil-10-L	MI-G-2-PL-PSB-FSCR	\$453.00
-FSCR	Stainless steel fine screen sediment bucket for Lil-15-L	MI-G-3-PL-PSB-FSCR	\$499.00
-FSCR	Stainless steel fine screen sediment bucket for Lil-20-L	MI-G-4-PL-PSB-FSCR	\$555.00
-FSCR	Stainless steel fine screen sediment bucket for Lil-25-L	MI-G-5-PL-PSB-FSCR	\$613.00
-FSCR	Stainless steel fine screen sediment bucket for Lil-35-L	MI-G-6-PL-PSB-FSCR	\$664.00
-FSCR	Stainless steel fine screen sediment bucket for Lil-50-L	MI-G-7-PL-PSB-FSCR	\$722.00
-HD	Heavy duty 10 gauge steel lid (up to 2,000 lbs. load bearing) (See page 30 for image)	Contact MIFAB	\$1,146.00
-LHSI	No hub inlet on left hand side (not available with sediment bucket) (for Lil Max, Big Max, SuperMax)	MI-G-PL-PF4	\$73.00
-LHSO	No hub outlet on left hand side (not available with sediment bucket) (for Lil Max, Big Max, SuperMax)	MI-G-PL-PF4	\$73.00
-RHSI	No hub inlet on right hand side (not available with sediment bucket) (for Lil Max, Big Max, SuperMax)	MI-G-PL-PF4	\$73.00
-RHSO	No hub outlet on right hand side (not available with sediment bucket) (for Lil Max, Big Max, SuperMax)	MI-G-PL-PF4	\$73.00
-SP-IN	External sampling port - inline	Lil-SP	\$580.00
-SP-OFF	External sampling port - offset	SAMPOR	\$580.00
-T	Female threaded connections (for Lil Max, Big Max, SuperMax - 2 pcs. Included)	MI-G-PL-PF4T	\$150.00

CALIFORNIA PROPOSITION 65 WARNING. This product contains chemicals known to the State of California to cause cancer and birth defects or other reproductive harm.

Specification: MIFAB® Series Lil-(specify size)-SA HDPE injection molded sand interceptor with flow rating of ____ (indicate) and liquid holding capacity of ____ (indicate). Unit shall include: two internal sand separation baffles with 3" diameter holes, internal deep seal trap and HDPE injection molded, non skid, rectangular gasketed lid with securing latches.

Function: Used in maintenance facilities to receive waste water that contains sand and sediment. Sediment and sand are collected inside of the interceptor. Typically installed either on or recessed in the floor. Regular maintenance is required to keep the interceptor functioning. The sand interceptor will filter out sand and sediment from the fixture waste line before entering the pipe system to reduce clogging. Interceptor is cleaned by removing the top gasketed lid and accessing the internal straining baffle. Simple latch design permits fast and easy removal of the lid for cleaning and maintenance. HDPE injection molded body and lid are covered by a limited lifetime warranty. All Lil Max interceptors can withstand a temperature of up to and including 180 degrees Fahrenheit.



MODEL NO.	FLOW RATE (GPM)	LIQUID CAP. (Gallons/Cu. Ft.)	SAND CAP. (Gallons/Cu. Ft.)	A (IN)	B (IN) WIDTH	C (IN)	D (IN)	E (IN)	F (IN)	Shipping Weight (lbs.) (in box)	Box Dimensions (L x W x H)	List Price
Lil-7-SA	7	5.8 / .75	3 / .40	19.5	15.5	3.5	9	12.5	2	21	22" x 16" x 13"	\$1,023.00
Lil-10-SA	10	9.2 / 1.2	4.5 / .61	23	17.5	3.5	9.75	13.25	2	30	25" x 18" x 14"	\$1,137.00
Lil-15-SA	15	13 / 1.7	6.5 / .87	23	17.5	3.5	13.25	16.75	2	33	25" x 18" x 17.5"	\$1,400.00
Lil-20-SA	20	16 / 2.1	8 / 1.10	29.5	20.5	3.5	10.75	14.25	3	41	32" x 21" x 15"	\$1,818.00
Lil-25-SA	25	23 / 3.1	11.5 / 1.54	29.5	20.5	3.5	14.75	18.25	3	44	32" x 21" x 19"	\$2,000.00
Lil-35-SA	35	39 / 5.2	20 / 2.70	33	25.5	5.5	16.75	22.25	3	57	35" x 26" x 23"	\$2,500.00
Lil-50-SA	50	44 / 5.9	22 / 2.95	33	25.5	5.5	18.75	24.25	3	71	35" x 26" x 25"	\$3,400.00

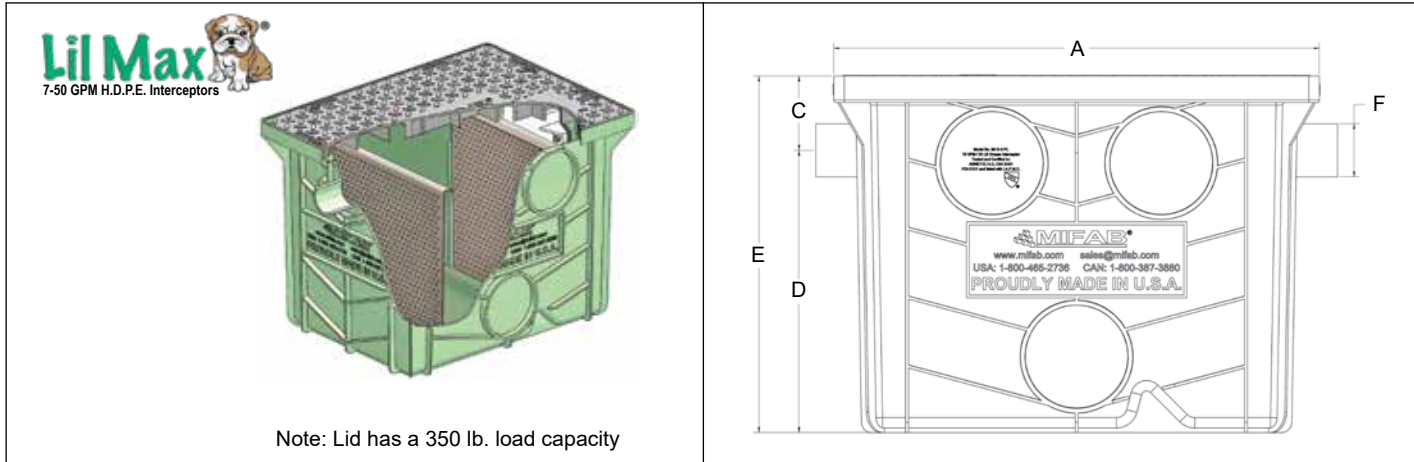
SUFFIX	OPTIONAL VARIATIONS	PART NO.	LIST PRICE
-C	Extension "C" as required (up to 9" increments) (for models Lil-20-SA and Lil-25-SA)	Lil-25-EXT	\$471.00
-C	Extension "C" as required (up to 9" increments) (for models Lil-35-SA and Lil-50-SA)	Lil-50-EXT	\$471.00
-F	Connection sizes different from standard (specify size) (by using a MIFAB increasing / reducing coupling)	Contact MIFAB	\$73.00
-FSCR	Stainless steel fine screen sediment bucket for Lil-7-SA	MI-G-1-PL-PSB-FSCR	\$362.00
-FSCR	Stainless steel fine screen sediment bucket for Lil-10-SA	MI-G-2-PL-PSB-FSCR	\$453.00
-FSCR	Stainless steel fine screen sediment bucket for Lil-15-SA	MI-G-3-PL-PSB-FSCR	\$499.00
-FSCR	Stainless steel fine screen sediment bucket for Lil-20-SA	MI-G-4-PL-PSB-FSCR	\$555.00
-FSCR	Stainless steel fine screen sediment bucket for Lil-25-SA	MI-G-5-PL-PSB-FSCR	\$613.00
-FSCR	Stainless steel fine screen sediment bucket for Lil-35-SA	MI-G-6-PL-PSB-FSCR	\$664.00
-FSCR	Stainless steel fine screen sediment bucket for Lil-50-SA	MI-G-7-PL-PSB-FSCR	\$722.00
-HD	Heavy duty 10 gauge steel lid (up to 2,000 lbs. load bearing) (See page 30 for image)	Contact MIFAB	\$1,146.00
-LHSI	No hub inlet on left hand side (not available with sediment bucket) (for Lil Max, Big Max, SuperMax)	MI-G-PL-PF4	\$73.00
-LHSO	No hub outlet on left hand side (not available with sediment bucket) (for Lil Max, Big Max, SuperMax)	MI-G-PL-PF4	\$73.00
-RHSI	No hub inlet on right hand side (not available with sediment bucket) (for Lil Max, Big Max, SuperMax)	MI-G-PL-PF4	\$73.00
-RHSO	No hub outlet on right hand side (not available with sediment bucket) (for Lil Max, Big Max, SuperMax)	MI-G-PL-PF4	\$73.00
-SP-IN	External sampling port - inline	Lil-SP	\$580.00
-SP-OFF	External sampling port - offset	SAMPOR	\$580.00
-T	Female threaded connections (for Lil Max, Big Max, SuperMax - 2 pcs. Included)	MI-G-PL-PF4T	\$150.00

CALIFORNIA PROPOSITION 65 WARNING. This product contains chemicals known to the State of California to cause cancer and birth defects or other reproductive harm.

Design and dimensions are subject to modification. Prices do not include applicable taxes. Visit www.mifab.com for the most recent product information.

Specification: MIFAB® Series Lil-(specify size)-F HDPE injection molded fish scale interceptor with flow rating of ____ (indicate) and liquid holding capacity of ____ (indicate). Unit shall include: two internal straining baffles (3/8" Dia. holes, 1/2" apart), internal deep seal trap and HDPE injection molded, non skid, rectangular gasketed lid with securing latches.

Function: Used in facilities to receive waste water that contains fish scales. Typically installed either on or recessed in the floor. Regular maintenance is required to keep the interceptor functioning. The fish scale interceptor will filter out fish scales and sediment from the fixture waste line before entering the pipe system to reduce clogging. Interceptor is cleaned by removing the top gasketed lid and accessing the internal straining baffle. Simple latch design permits fast and easy removal of the lid for cleaning and maintenance. HDPE injection molded body and lid are covered by a limited lifetime warranty. All Lil Max interceptors can withstand a temperature of up to and including 180 degrees Fahrenheit.



MODEL NO.	FLOW RATE (GPM)	LIQUID AP. (Gallons/Cu. Ft.)	SOLIDS AP. (Gallons/Cu. Ft.)	A (IN)	B (IN) WIDTH	C (IN)	D (IN)	E (IN)	F (IN)	Shipping Weight (lbs.) (in box)	Box Dimensions (L x W x H)	List Price
Lil-7-F	7	5.8 / .75	3 / .40	19.5	15.5	3.5	9	12.5	2	21	22" x 16" x 13"	\$1,023.00
Lil-10-F	10	9.2 / 1.2	4.5 / .61	23	17.5	3.5	9.75	13.25	2	30	25" x 18" x 14"	\$1,137.00
Lil-15-F	15	13 / 1.7	6.5 / .87	23	17.5	3.5	13.25	16.75	2	33	25" x 18" x 17.5"	\$1,400.00
Lil-20-F	20	16 / 2.1	8 / 1.10	29.5	20.5	3.5	10.75	14.25	3	41	32" x 21" x 15"	\$1,818.00
Lil-25-F	25	23 / 3.1	11.5 / 1.54	29.5	20.5	3.5	14.75	18.25	3	44	32" x 21" x 19"	\$2,000.00
Lil-35-F	35	39 / 5.2	20 / 2.70	33	25.5	5.5	16.75	22.25	3	57	35" x 26" x 23"	\$2,500.00
Lil-50-F	50	44 / 5.9	22 / 2.95	33	25.5	5.5	18.75	24.25	3	71	35" x 26" x 25"	\$3,400.00

SUFFIX	OPTIONAL VARIATIONS	PART NO.	LIST PRICE
-C	Extension "C" as required (up to 9" increments) (for models Lil-20-F and Lil-25-F)	Lil-25-EXT	\$471.00
-C	Extension "C" as required (up to 9" increments) (for models Lil-35-F and Lil-50-F)	Lil-50-EXT	\$471.00
-F	Connection sizes different from standard (specify size) (by using a MIFAB increasing / reducing coupling)	Contact MIFAB	\$73.00
-FSCR	Stainless steel fine screen sediment bucket for Lil-7-F	MI-G-1-PL-PSB-FSCR	\$362.00
-FSCR	Stainless steel fine screen sediment bucket for Lil-10-F	MI-G-2-PL-PSB-FSCR	\$453.00
-FSCR	Stainless steel fine screen sediment bucket for Lil-15-F	MI-G-3-PL-PSB-FSCR	\$499.00
-FSCR	Stainless steel fine screen sediment bucket for Lil-20-F	MI-G-4-PL-PSB-FSCR	\$555.00
-FSCR	Stainless steel fine screen sediment bucket for Lil-25-F	MI-G-5-PL-PSB-FSCR	\$613.00
-FSCR	Stainless steel fine screen sediment bucket for Lil-35-F	MI-G-6-PL-PSB-FSCR	\$664.00
-FSCR	Stainless steel fine screen sediment bucket for Lil-50-F	MI-G-7-PL-PSB-FSCR	\$722.00
-HD	Heavy duty 10 gauge steel lid (up to 2,000 lbs. load bearing) (See page 30 for image)	Contact MIFAB	\$1,146.00
-LHSI	No hub inlet on left hand side (not available with sediment bucket) (for Lil Max, Big Max, SuperMax)	MI-G-PL-PF4	\$73.00
-LHSO	No hub outlet on left hand side (not available with sediment bucket) (for Lil Max, Big Max, SuperMax)	MI-G-PL-PF4	\$73.00
-RHSI	No hub inlet on right hand side (not available with sediment bucket) (for Lil Max, Big Max, SuperMax)	MI-G-PL-PF4	\$73.00
-RHSO	No hub outlet on right hand side (not available with sediment bucket) (for Lil Max, Big Max, SuperMax)	MI-G-PL-PF4	\$73.00
-SP-IN	External sampling port - inline	Lil-SP	\$580.00
-SP-OF	External sampling port - offset	SAMPOR	\$580.00
-T	Female threaded connections (for Lil Max, Big Max, SuperMax - 2 pcs. Included)	MI-G-PL-PF4T	\$150.00

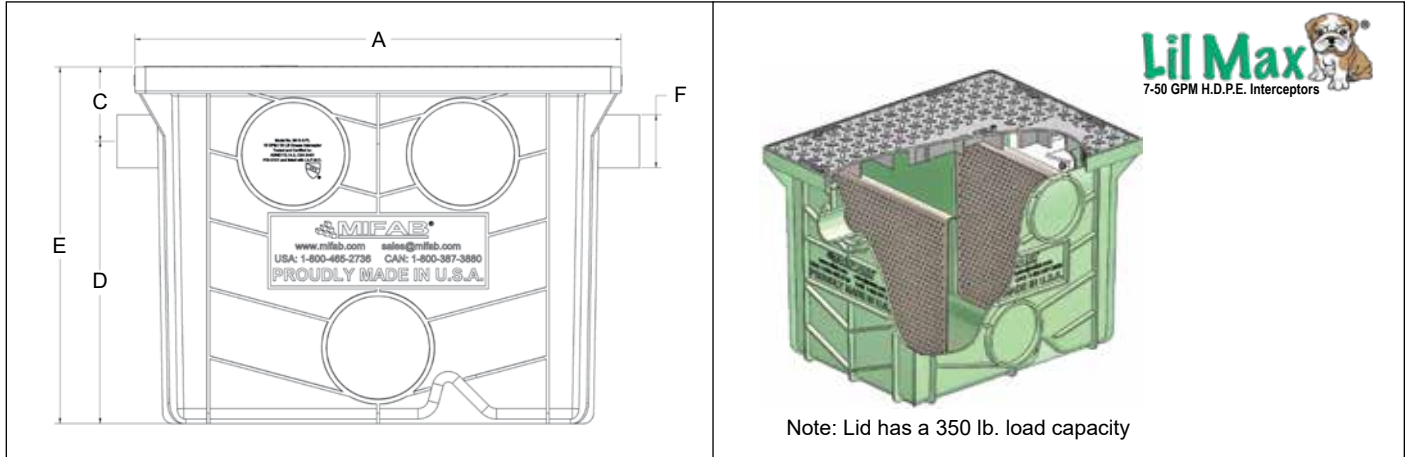
"I buy MIFAB HDPE grease interceptors for one reason, the local rep. It is the ability to get my questions answered quickly. The local knowledge is a great resource."
 - Mark Gomez, Manager, H2O Service, Louisville, KY

CALIFORNIA PROPOSITION 65 WARNING. This product contains chemicals known to the State of California to cause cancer and birth defects or other reproductive harm.

Design and dimensions are subject to modification. Prices do not include applicable taxes. Visit www.mifab.com for the most recent product information.

Specification: MIFAB® Series Lil-(specify size)-R HDPE injection molded rice interceptor with flow rating of ____ (indicate) and liquid holding capacity of ____ (indicate). Unit shall include: two internal straining baffles with 3/8" Dia. holes, 1/2" apart, internal deep seal trap and HDPE injection molded, non skid, rectangular gasketed lid with securing latches.

Function: Used in restaurants, kitchens, institution and other types of food processing areas where rice drains with the waste water. Typically installed either on or recessed in the floor. Regular maintenance is required to keep the interceptor functioning. The rice interceptor will filter out rice and sediment from the fixture waste line before entering the pipe system to reduce clogging. Interceptor is cleaned by removing the top gasketed lid and accessing the internal straining baffle. Simple latch design permits fast and easy removal of the lid for cleaning and maintenance. HDPE injection molded body and lid are covered by a limited lifetime warranty. All Lil Max interceptors can withstand a temperature of up to and including 180 degrees Fahrenheit.



MODEL NO.	FLOW RATE (GPM)	LIQUID CAP. (Gallons/Cu. Ft.)	SOLIDS CAP. (Gallons/Cu. Ft.)	A (IN)	B (IN) WIDTH	C (IN)	D (IN)	E (IN)	F (IN)	Shipping Weight (lbs.) (in box)	Box Dimensions (L x W x H)	List Price
Lil-7-R	7	5.8 / .75	3 / .40	19.5	15.5	3.5	9	12.5	2	21	22" x 16" x 13"	\$1,023.00
Lil-10-R	10	9.2 / 1.2	4.5 / .61	23	17.5	3.5	9.75	13.25	2	30	25" x 18" x 14"	\$1,137.00
Lil-15-R	15	13 / 1.7	6.5 / .87	23	17.5	3.5	13.25	16.75	2	33	25" x 18" x 17.5"	\$1,400.00
Lil-20-R	20	16 / 2.1	8 / 1.10	29.5	20.5	3.5	10.75	14.25	3	41	32" x 21" x 15"	\$1,818.00
Lil-25-R	25	23 / 3.1	11.5 / 1.54	29.5	20.5	3.5	14.75	18.25	3	44	32" x 21" x 19"	\$2,000.00
Lil-35-R	35	39 / 5.2	20 / 2.70	33	25.5	5.5	16.75	22.25	3	57	35" x 26" x 23"	\$2,500.00
Lil-50-R	50	44 / 5.9	22 / 2.95	33	25.5	5.5	18.75	24.25	3	71	35" x 26" x 25"	\$3,400.00

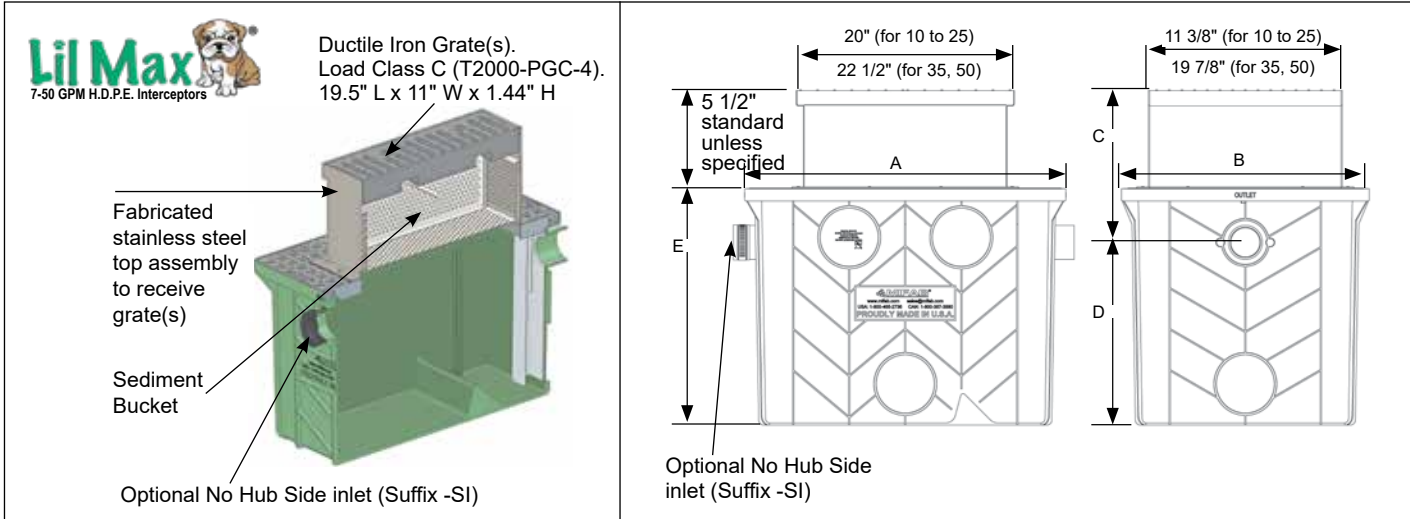
SUFFIX	OPTIONAL VARIATIONS	PART NO.	LIST PRICE
-C	Extension "C" as required (up to 9" increments) (for models Lil-20-R and Lil-25-R)	Lil-25-EXT	\$471.00
-C	Extension "C" as required (up to 9" increments) (for models Lil-35-R and Lil-50-R)	Lil-50-EXT	\$471.00
-F	Connection sizes different from standard (specify size) (by using a MIFAB increasing / reducing coupling)	Contact MIFAB	\$73.00
-FSCR	Stainless steel fine screen sediment bucket for Lil-7-R	MI-G-1-PL-PSB-FSCR	\$362.00
-FSCR	Stainless steel fine screen sediment bucket for Lil-10-R	MI-G-2-PL-PSB-FSCR	\$453.00
-FSCR	Stainless steel fine screen sediment bucket for Lil-15-R	MI-G-3-PL-PSB-FSCR	\$499.00
-FSCR	Stainless steel fine screen sediment bucket for Lil-20-R	MI-G-4-PL-PSB-FSCR	\$555.00
-FSCR	Stainless steel fine screen sediment bucket for Lil-25-R	MI-G-5-PL-PSB-FSCR	\$613.00
-FSCR	Stainless steel fine screen sediment bucket for Lil-35-R	MI-G-6-PL-PSB-FSCR	\$664.00
-FSCR	Stainless steel fine screen sediment bucket for Lil-50-R	MI-G-7-PL-PSB-FSCR	\$722.00
-HD	Heavy duty 10 gauge steel lid (up to 2,000 lbs. load bearing) (See page 30 for image)	Contact MIFAB	\$1,146.00
-LHSI	No hub inlet on left hand side (not available with sediment bucket) (for Lil Max, Big Max, SuperMax)	MI-G-PL-PF4	\$73.00
-LHSO	No hub outlet on left hand side (not available with sediment bucket) (for Lil Max, Big Max, SuperMax)	MI-G-PL-PF4	\$73.00
-RHSI	No hub inlet on right hand side (not available with sediment bucket) (for Lil Max, Big Max, SuperMax)	MI-G-PL-PF4	\$73.00
-RHSO	No hub outlet on right hand side (not available with sediment bucket) (for Lil Max, Big Max, SuperMax)	MI-G-PL-PF4	\$73.00
-SP-IN	External sampling port - inline	Lil-SP	\$580.00
-SP-OF	External sampling port - offset	SAMPOR	\$580.00
-T	Female threaded connections (for Lil Max, Big Max, SuperMax - 2 pcs. Included)	MI-G-PL-PF4T	\$150.00

CALIFORNIA PROPOSITION 65 WARNING. This product contains chemicals known to the State of California to cause cancer and birth defects or other reproductive harm.

Design and dimensions are subject to modification. Prices do not include applicable taxes. Visit www.mifab.com for the most recent product information.

Specification: MIFAB® Series Lil-(specify size)-OS HDPE injection molded oil / sediment interceptor with liquid holding capacity of _____ (indicate). Unit shall include: sediment bucket (3/8" Dia. holes, 1/2" apart) underneath top inlet ductile iron grate(s), deep seal trap.

Function: Oil / sediment interceptors are required anywhere oil and sediment may be introduced to the public sewer system in applications such as: repair garages, oil change stations, car wash facilities, parking garages and facilities where oil and flammable liquid waste are produced as a result of manufacturing, storage, maintenance, repair or testing processes. Sediment and debris are collected inside of the internal sediment bucket. Regular maintenance is required to keep the interceptor functioning. Interceptor to be installed flush with the floor. Standard Lil-OS models are made with open top ductile iron grate(s). The optional -SI models are made with a no hub inlet.



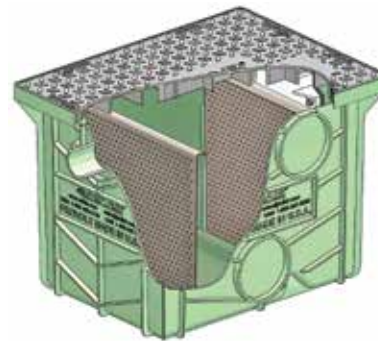
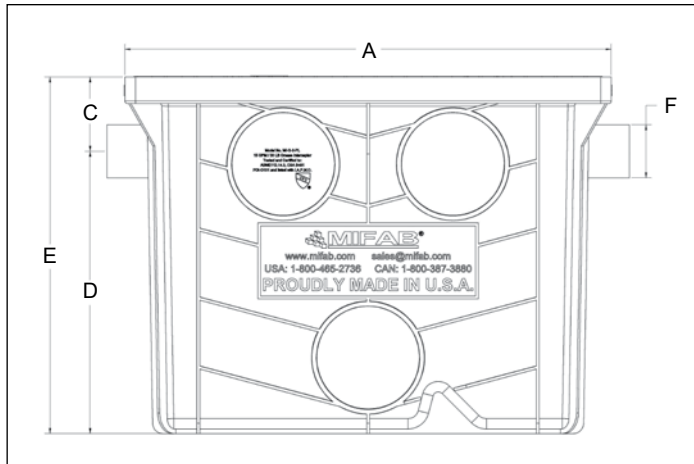
MODEL NO.	LIQUID CAP. (Gallons / Cu. Ft.)	SLUDGE CAPACITY (L.B.S.)	A (IN)	B (IN) WIDTH	D (IN)	E (IN)	F (IN) (OUTLET)	Number of Grates	Shipping Weight (lbs.)	List Price
Lil-10-OS	9.2 / 1.2	15	23	17.5	9.75	13.25	2	1	50	\$1,995.00
Lil-15-OS	13 / 1.7	20	23	17.5	13.25	16.75	2	1	53	\$2,043.00
Lil-20-OS	16 / 2.1	25	29.5	20.5	10.75	14.25	3	1	61	\$2,140.00
Lil-25-OS	23 / 3.1	60	29.5	20.5	14.75	18.25	3	1	64	\$2,273.00
Lil-35-OS	39 / 5.2	80	33	25.5	16.75	22.25	3	2	77	\$2,848.00
Lil-50-OS	44 / 5.9	90	33	25.5	18.75	24.25	3	2	91	\$3,125.00

SUFFIX	OPTIONAL VARIATIONS	PART NO.	LIST PRICE
-3	Stainless steel veneer bolted to top of ductile iron grate (Lil-10-OS to Lil-25-OS)	Contact MIFAB	\$907.00
-3	Stainless steel veneer bolted to top of ductile iron grates (Lil-35-OS and Lil-50-OS)	Contact MIFAB	\$1,811.00
-C	Extension "C" as required (up to 9" increments) (for models Lil-10-OS to Lil-25-OS)	Lil-25-EXT	\$471.00
-C	Extension "C" as required (up to 9" increments) (for models Lil-35-OS and Lil-50-OS)	Lil-50-EXT	\$471.00
-F	Connection sizes different from standard (specify size) (by using a MIFAB increasing / reducing coupling)	Contact MIFAB	\$73.00
-FSCR	Stainless steel fine screen sediment bucket for Lil-10-OS	MI-G-2-PL-PSB-FSCR	\$453.00
-FSCR	Stainless steel fine screen sediment bucket for Lil-15-OS	MI-G-3-PL-PSB-FSCR	\$499.00
-FSCR	Stainless steel fine screen sediment bucket for Lil-20-OS	MI-G-4-PL-PSB-FSCR	\$555.00
-FSCR	Stainless steel fine screen sediment bucket for Lil-25-OS	MI-G-5-PL-PSB-FSCR	\$613.00
-FSCR	Stainless steel fine screen sediment bucket for Lil-35-OS	MI-G-6-PL-PSB-FSCR	\$664.00
-FSCR	Stainless steel fine screen sediment bucket for Lil-50-OS	MI-G-7-PL-PSB-FSCR	\$722.00
-HLA	High level alarm and float switch (to be installed on site) (for Lil Max, Big Max, SuperMax)	XL-MI-PL-HLA	\$2,700.00
-LHSI	No hub inlet on left hand side (not available with sediment bucket) (for Lil Max, Big Max, SuperMax)	MI-G-PL-PF4	\$73.00
-LHSO	No hub outlet on left hand side (not available with sediment bucket) (for Lil Max, Big Max, SuperMax)	MI-G-PL-PF4	\$73.00
-RHSI	No hub inlet on right hand side (not available with sediment bucket) (for Lil Max, Big Max, SuperMax)	MI-G-PL-PF4	\$73.00
-RHSO	No hub outlet on right hand side (not available with sediment bucket) (for Lil Max, Big Max, SuperMax)	MI-G-PL-PF4	\$73.00
-SI	No hub inlet located on opposite side of outlet	Contact MIFAB	No Add
-SP-IN	External sampling port - inline	Lil-SP	\$580.00
-SP-OF	External sampling port - offset	SAMPOR	\$580.00
-T	Female threaded connections (for Lil Max, Big Max, SuperMax - 2 pcs. Included)	MI-G-PL-PF4T	\$150.00

CALIFORNIA PROPOSITION 65 WARNING. This product contains chemicals known to the State of California to cause cancer and birth defects or other reproductive harm.

Speci ication: MIFAB® Series LIL-FUR ____ HDPE injection molded fur interceptor with flow rating of ____ (indicate) and liquid holding capacity of ____ (indicate). Unit shall include: two internal straining baffles with 3/8" Dia. holes, 1/2" apart, internal deep seal trap and HDPE injection molded, non skid, rectangular gasketed lid with securing latches. For indoor/outdoor use.

Function: Used in drain lines at animal cleaning and maintaining areas where animal fur and pet hair drains with the waste water. Typically installed either on or recessed in the floor. Regular maintenance is required to keep the interceptors functioning. The fur interceptor will filter out fur and pet hair from the fixture waste line before entering the pipe system to reduce clogging. Interceptor is cleaned by removing the top gasketed lid and accessing the internal straining baffle. Simple latch design permits fast and easy removal of the lid for cleaning and maintenance. HDPE injection molded body and lid are covered by a limited lifetime warranty.



Note: Lid has a 350 lb. load capacity



"I have worked with MIFAB for 15 years. They are able to provide a full line of products that are complimentary to other manufacturers."

– Joe Ficek of Grumman
Btkus, Consulting Engineers,
Chicago, IL

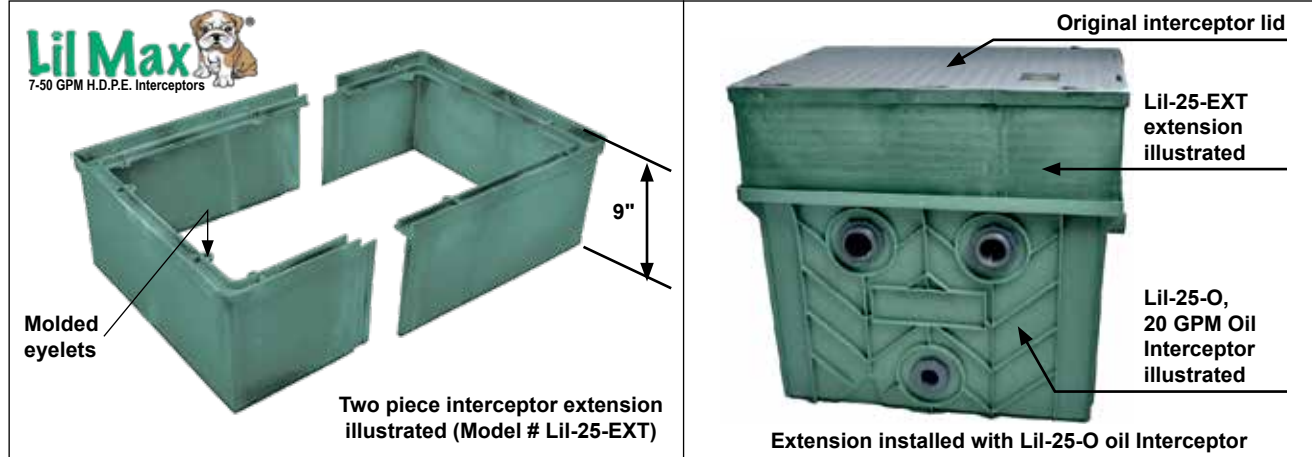
MODEL NO.	FLOW RATE (GPM)	LIQUID CAP. (Gallons/ Cu. Ft.)	SOLIDS CAP. (Gallons/Cu. Ft.)	A (IN)	B (IN) WIDTH	C (IN)	D (IN)	E (IN)	F (IN)	Shipping Weight (lbs.) (in box)	Box Dimensions (L x W x H)	List Price
Lil-7-FUR	7	5.8 / .75	3 / .40	19.5	15.5	3.5	9	12.5	2	21	22" x 16" x 13"	\$1,023.00
Lil-10-FUR	10	9.2 / 1.2	4.5 / .61	23	17.5	3.5	9.75	13.25	2	30	25" x 18" x 14"	\$1,137.00
Lil-15-FUR	15	13 / 1.7	6.5 / .87	23	17.5	3.5	13.25	16.75	2	33	25" x 18" x 17.5"	\$1,400.00
Lil-20-FUR	20	16 / 2.1	8 / 1.10	29.5	20.5	3.5	10.75	14.25	3	41	32" x 21" x 15"	\$1,818.00
Lil-25-FUR	25	23 / 3.1	11.5 / 1.54	29.5	20.5	3.5	14.75	18.25	3	44	32" x 21" x 19"	\$2,000.00
Lil-35-FUR	35	39 / 5.2	20 / 2.70	33	25.5	5.5	16.75	22.25	3	57	35" x 26" x 23"	\$2,500.00
Lil-50-FUR	50	44 / 5.9	22 / 2.95	33	25.5	5.5	18.75	24.25	3	71	35" x 26" x 25"	\$3,400.00

SUFFIX	OPTIONAL VARIATIONS	PART NO.	LIST PRICE
-C	Extension "C" as required (up to 9" increments) (for models Lil-20-FUR and Lil-25-FUR)	Lil-25-EXT	\$471.00
-C	Extension "C" as required (up to 9" increments) (for models Lil-35-FUR and Lil-50-FUR)	Lil-50-EXT	\$471.00
-F	Connection sizes different from standard (specify size) (by using a MIFAB increasing / reducing coupling)	Contact MIFAB	\$73.00
-FSCR	Stainless steel fine screen sediment bucket for Lil-7-FUR	MI-G-1-PL-PSB-FSCR	\$362.00
-FSCR	Stainless steel fine screen sediment bucket for Lil-10-FUR	MI-G-2-PL-PSB-FSCR	\$453.00
-FSCR	Stainless steel fine screen sediment bucket for Lil-15-FUR	MI-G-3-PL-PSB-FSCR	\$499.00
-FSCR	Stainless steel fine screen sediment bucket for Lil-20-FUR	MI-G-4-PL-PSB-FSCR	\$555.00
-FSCR	Stainless steel fine screen sediment bucket for Lil-25-FUR	MI-G-5-PL-PSB-FSCR	\$613.00
-FSCR	Stainless steel fine screen sediment bucket for Lil-35-FUR	MI-G-6-PL-PSB-FSCR	\$664.00
-FSCR	Stainless steel fine screen sediment bucket for Lil-50-FUR	MI-G-7-PL-PSB-FSCR	\$722.00
-HD	Heavy duty 10 gauge steel lid (up to 2,000 lbs. load bearing) (See page 30 for image)	Contact MIFAB	\$1,146.00
-LHSI	No hub inlet on left hand side (not available with sediment bucket) (for Lil Max, Big Max, SuperMax)	MI-G-PL-PF4	\$73.00
-LHSO	No hub outlet on left hand side (not available with sediment bucket) (for Lil Max, Big Max, SuperMax)	MI-G-PL-PF4	\$73.00
-RHSI	No hub inlet on right hand side (not available with sediment bucket) (for Lil Max, Big Max, SuperMax)	MI-G-PL-PF4	\$73.00
-RHSO	No hub outlet on right hand side (not available with sediment bucket) (for Lil Max, Big Max, SuperMax)	MI-G-PL-PF4	\$73.00
-SP-IN	External sampling port - inline	Lil-SP	\$580.00
-SP-OF	External sampling port - offset	SAMPORT	\$580.00
-T	Female threaded connections (for Lil Max, Big Max, SuperMax - 2 pcs. Included)	MI-G-PL-PF4T	\$150.00

CALIFORNIA PROPOSITION 65 WARNING. This product contains chemicals known to the State of California to cause cancer and birth defects or other reproductive harm.

Design and dimensions are subject to modification. Prices do not include applicable taxes. Visit www.mifab.com for the most recent product information.

Extensions: Extensions are typically required when the interceptor is buried into the ground and the inlet is lowered to meet the waste piping from the fixtures. In such a case, the lid needs to be “extended” up to the ground or grade level. MIFAB® manufactures a two piece H.D.P.E. injection molded 9” high extension for the 20 and 25 GPM models (same extension - Lil-25-EXT) and also for the 35, 50 and Lil-25-LP models (same extension - Lil-50-EXT). These extensions are designed to fit into the top of the Lil Max® body after the lid is removed. Neoprene gasket is provided by MIFAB® with each extension piece to be installed into the recess in the top of the interceptor and also into the recess in the top of the extension. Securing ties are also provided by MIFAB® in order to connect the extension (through the molded eyelets) to the securing pins molded into the top of each interceptor. The 9” extensions can be stacked in 9” (or shorter) increments in order to attain the desired extension height. The original lid is then secured into the top of the extension. There are 1” horizontal lines molded into the sides of the extensions to allow the installer to cut (with a Saws All) the height down to the required dimension. Extensions can be cut down to a 3” overall height.



Model #	Description	List Price
SILICONE RUBBER LID GASKET		
MI-G-1-PL-GSK	Lid Gasket - for Lil-7	\$37.00
MI-G-2-PL-GSK	Lid Gasket - for Lil-10	\$37.00
MI-G-3-PL-GSK	Lid Gasket - for Lil-15	\$37.00
MI-G-4-PL-GSK	Lid Gasket - for Lil-20	\$47.50
MI-G-5-PL-GSK	Lid Gasket - for Lil-25	\$47.50
MI-G-6-PL-GSK	Lid Gasket - for Lil-35	\$66.00
MI-G-7-PL-GSK	Lid Gasket - for Lil-50	\$66.00
MI-G-L-25-PL-GSK	Lid Gasket - for Lil-25-LP	\$66.00
REPLACEMENT LIDS		
MI-G-1-PL-LID	Replace. Lid Assembly - for Lil-7	\$206.00
MI-G-2-PL-LID	Replace. Lid Assembly - for Lil-10	\$206.00
MI-G-3-PL-LID	Replace. Lid Assembly - for Lil-15	\$206.00
MI-G-4-PL-LID	Replace. Lid Assembly - for Lil-20	\$219.00
MI-G-5-PL-LID	Replace. Lid Assembly - for Lil-25	\$219.00
MI-G-6-PL-LID	Replace. Lid Assembly - for Lil-35	\$283.00
MI-G-7-PL-LID	Replace. Lid Assembly - for Lil-50	\$283.00
MI-G-L-25-PL-LID	Replace. Lid Assembly - for Lil-25-LP	\$283.00
Note: The replacement lid assembly includes the lid, gasket and latches. The PDI plate is not included and needs to be transferred from the old interceptor.		
REPLACEMENT LID LATCHES		
MI-G-1-PL-LTCH	Replace Lid Latch Set - for Lil-7	\$47.50
MI-G-2-PL-LTCH	Replace Lid Latch Set - for Lil-10	\$47.50
MI-G-3-PL-LTCH	Replace Lid Latch Set - for Lil-15	\$47.50
MI-G-4-PL-LTCH	Replace Lid Latch Set - for Lil-20	\$47.50
MI-G-5-PL-LTCH	Replace Lid Latch Set - for Lil-25	\$47.50
MI-G-6-PL-LTCH	Replace Lid Latch Set - for Lil-35	\$52.50

Model #	Description	List Price
REPLACEMENT LID LATCHES		
MI-G-7-PL-LTCH	Replace Lid Latch Set - for Lil-50	\$54.00
MI-G-L-25-PL-LTCH	Replace Lid Latch Set - for Lil-25-LP	\$54.00
Note: Each model includes the required replacement latch components and replacement pivot pins.		
EXTENSIONS		
Lil-25-EXT	9" high H.D.P.E. Extension - for 20 GPM	\$471.00
Lil-25-EXT	9" high H.D.P.E. Extension - for 25 GPM	\$471.00
The Lil-25-EXT and Lil-25-EXT are the same part (Part # Lil-25-EXT)		
Lil-50-EXT	9" high H.D.P.E. Extension - for 35 GPM	\$471.00
Lil-50-EXT	9" high H.D.P.E. Extension - for 50 GPM	\$471.00
Lil-25-LP-EXT	9" high H.D.P.E. Extension - for 25 GPM low profile	\$471.00
The Lil-50-EXT, Lil-50-EXT and Lil-25-LP-EXT are the same part (Part # Lil-50-EXT). Note: contact MIFAB for other model extensions)		
SEDIMENT BUCKETS		
MI-G-1-PL-PSB	H.D.P.E. Sediment Bucket - for Lil-7	\$315.00
MI-G-2-PL-PSB	H.D.P.E. Sediment Bucket - for Lil-10	\$339.00
MI-G-3-PL-PSB	H.D.P.E. Sediment Bucket - for Lil-15	\$362.00
MI-G-4-PL-PSB	H.D.P.E. Sediment Bucket - for Lil-20	\$378.00
MI-G-5-PL-PSB	H.D.P.E. Sediment Bucket - for Lil-25	\$412.00
MI-G-6-PL-PSB	H.D.P.E. Sediment Bucket - for Lil-35	\$424.00
MI-G-7-PL-PSB	H.D.P.E. Sediment Bucket - for Lil-50	\$441.00
MI-G-L-25-PL-PSB	H.D.P.E. Sediment Bucket - for Lil-25-LP	\$321.00
SOLIDS INTERCEPTOR - FINE SCREEN SEDIMENT BUCKET		
MI-G-1-PL-PSB-FSCR	S. S. Fine Scr. Sed. Bkt. Insert - for Lil-7-S-PSB	\$362.00
MI-G-2-PL-PSB-FSCR	S. S. Fine Scr. Sed. Bkt. Insert - for Lil-10-S-PSB	\$453.00
MI-G-3-PL-PSB-FSCR	S. S. Fine Scr. Sed. Bkt. Insert - for Lil-15-S-PSB	\$499.00
MI-G-4-PL-PSB-FSCR	S. S. Fine Scr. Sed. Bkt. Insert - for Lil-20-S-PSB	\$555.00
MI-G-5-PL-PSB-FSCR	S. S. Fine Scr. Sed. Bkt. Insert - for Lil-25-S-PSB	\$613.00
MI-G-6-PL-PSB-FSCR	S. S. Fine Scr. Sed. Bkt. Insert - for Lil-35-S-PSB	\$664.00
MI-G-7-PL-PSB-FSCR	S. S. Fine Scr. Sed. Bkt. Insert - for Lil-50-S-PSB	\$722.00

Note: Custom extensions for interceptors smaller than 20 GPM are available. Contact MIFAB® for information and pricing.

CALIFORNIA PROPOSITION 65 WARNING. This product contains chemicals known to the State of California to cause cancer and birth defects or other reproductive harm.



LIL MAX® EXTENSION INSTALLATION INSTRUCTIONS

Each extension provides up to 9” of height extension. If more than 9” of extension is required, stack multiple extension assemblies.

YOU NEED:

- SELF ADHESIVE FOAM GASKET (10 FT.)
- (4) SELF TAPPING SCREWS
- (2) LONG AND SHORT BOLTS
- FLAT AND LOCK WASHER, NUTS

EQUIPMENT REQUIRED:

- UTILITY KNIFE
- HAND DRILL WITH 3/8” BIT WRENCH
- OR SOCKET KEY



STEP 1:

Measure the height from the top of the interceptor to the desired ground level.



STEP 2:

Cut extension to meet required length. Connect the 2 extension halves by using the self tapping screws. (To avoid injury during inside cleaning, tap the screws from inside out).



STEP 3:

Remove the lid and make a couple of holes in the middle of the long rails of the top interceptor (close to the center pins).



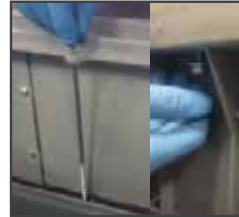
STEP 4:

Attach the self-adhesive foam gasket on all sides of the top rail of the interceptor.



STEP 5:

Attach the extension by aligning its edges with the top rail of the interceptor (make sure that all extension edges are sitting onto foam gasket).



STEP 6:

Slide the bolts through the top hole of the extension and interceptor hole made in Step 3. Place the lock washer under the bolt head. Use the flat washer and nut to tighten and assemble. Do the same for the opposite side. Chose the bolt length accordingly with the height of extension.



STEP 7:

Attach the lid on top of the extension and secure with rotating lockers.

CALIFORNIA PROPOSITION 65 WARNING. This product contains chemicals known to the State of California to cause cancer and birth defects or other reproductive harm.

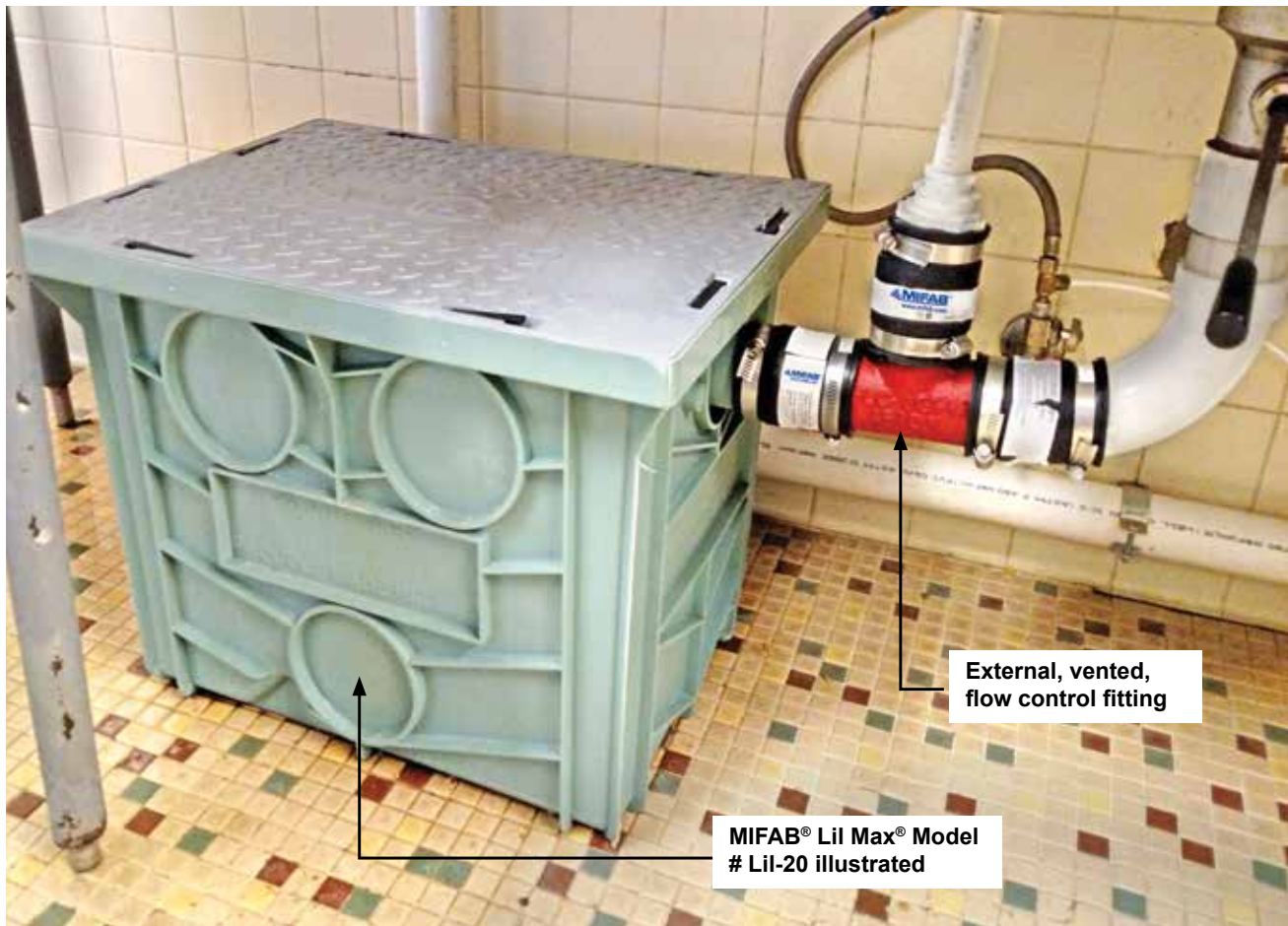
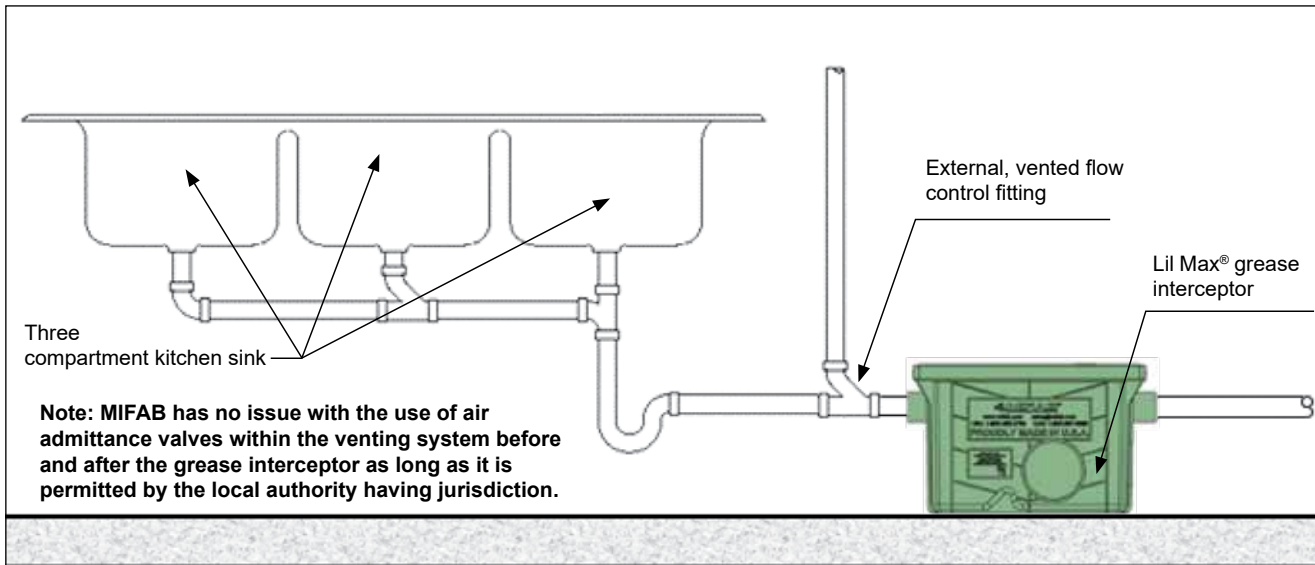
Design and dimensions are subject to modification. Prices do not include applicable taxes. Visit www.mifab.com for the most recent product information.

MIFAB®, Inc., 1321 West 119th Street, Chicago, Illinois 60643-5109, USA

All sales subject to MIFAB's® Terms and Conditions. Please refer to Page 106.

USA Toll Free: 1-800-465-2736 • Fax: 1-773-341-3049
Canada Toll Free: 1-800-387-3880 • sales@mifab.com

MIFAB® Lil Max® models interceptors are designed to work above ground or below grade and are specifically designed to manage the smaller flow requirements or Point Source grease interception. Made of durable HDPE, these interceptors are designed for easy access and maintenance. Sized by flow rate these units manage flow rates as low as 7 gpm with 14 lbs. of designed storage capacity and up to 50 gpm with a designed storage capacity of 100 lbs. of grease. Other sizes are available - please check our Website. All Lil Max interceptors can withstand a temperature of up to and including 180 degrees Fahrenheit.



CALIFORNIA PROPOSITION 65 WARNING. This product contains chemicals known to the State of California to cause cancer and birth defects or other reproductive harm.



**50, 75 and 100 GPM H.D.P.E.
Hydromechanical Interceptors**

<p>GREASE (Page # 48)</p>	<p>OIL (Page # 49)</p>	<p><i>“The Big Max was delivered on time and on specification. The use of the generic corrugated extensions made installation easy and extremely efficient.”</i></p> <p>– Avcon Construction, North York, Ontario, Canada</p>
<p>SOLIDS (Page # 50)</p>	<p>PLASTER (Page # 51)</p>	<p>LINT (Page # 52)</p>
<p>SAND (Page # 53)</p>	<p>FISH SCALE (Page # 54)</p>	<p>RICE (Page # 55)</p>
<p>BIG-OS (Page # 56)</p>	<p>BIG-DECON (Page # 57)</p>	<p>BIG-FUR (Page # 58)</p>

CALIFORNIA PROPOSITION 65 WARNING. This product contains chemicals known to the State of California to cause cancer and birth defects or other reproductive harm.

Design and dimensions are subject to modification. Prices do not include applicable taxes. Visit www.mifab.com for the most recent product information.

MIFAB®, Inc., 1321 West 119th Street, Chicago, Illinois 60643-5109, USA
All sales subject to MIFAB's® Terms and Conditions. Please refer to Page 106.

USA Toll Free: 1-800-465-2736 • Fax: 1-773-341-3049
Canada Toll Free: 1-800-387-3880 • sales@mifab.com

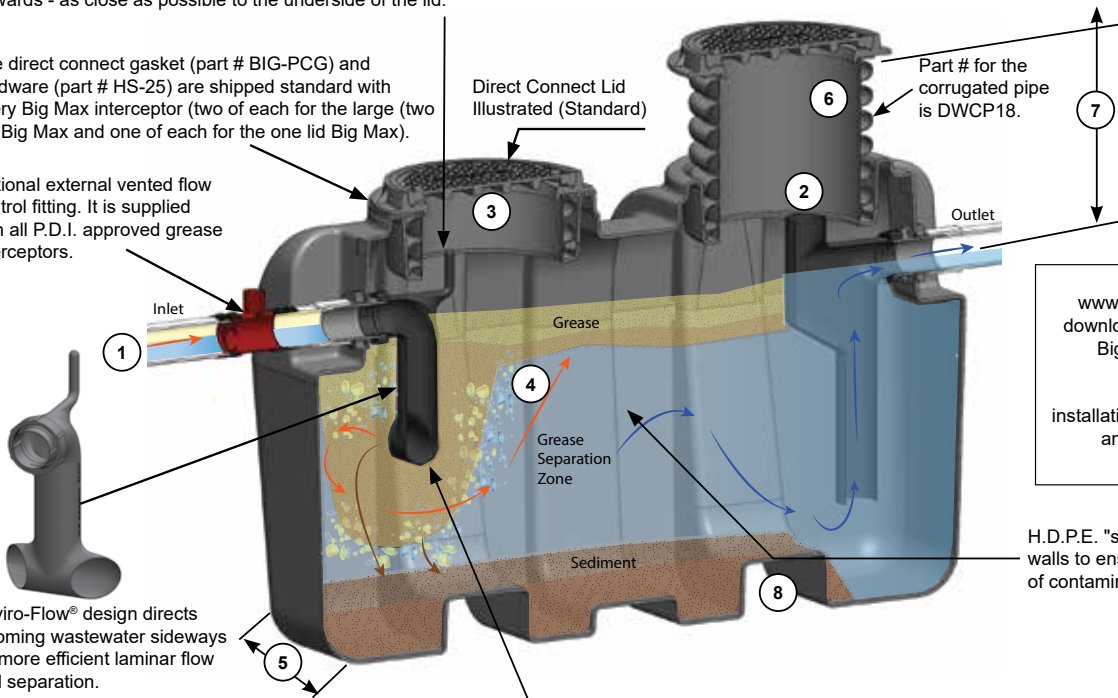
Since 1982, MIFAB® has been manufacturing grease interceptors. Forty years of experience and customer feedback has given us an advantage when it comes to designing and manufacturing the best steel and stainless steel grease interceptors in the market. We have applied this experience to our new range of large, H.D.P.E. patented grease interceptors. We invite you to experience the MIFAB® difference – best in class when it comes to H.D.P.E. grease interceptors. The Big Max® Series of interceptors are also available in the following models: oil, solids, plaster, lint, sand, fish scale and rice.

MIFAB's Big Max interceptors are engineered to perform based on a balanced air environment within the interceptor. This ensures that the interceptor performs at a high operating efficiency. During regular maintenance, it is important to check that this hole is unobstructed. The blocking of this hole can dramatically reduce the operating performance of the interceptor and result in the accumulated grease waste within the interceptor to be discharged downstream. Ensure that this hole is always positioned upwards - as close as possible to the underside of the lid.



The direct connect gasket (part # BIG-PCG) and hardware (part # HS-25) are shipped standard with every Big Max interceptor (two of each for the large (two lid) Big Max and one of each for the one lid Big Max).

Optional external vented flow control fitting. It is supplied with all P.D.I. approved grease interceptors.



Go to www.MIFAB.com to download the various Big Max® product specification sheets, installation instructions and other helpful information.

H.D.P.E. "slippery" internal walls to ensure no sticking of contaminants

MIFAB's 40 years of manufacturing interceptors has provided us with a wealth of experience and knowledge on the factors that impact their performance. Our new and innovative Enviro-Flow® inlet and outlet design significantly reduces inlet velocity and creates optimal laminar flow to ensure maximum grease separation efficiency. Flow entering the MIFAB interceptor is directed to the bottom by the inlet baffle to avoid any disturbance of the previously accumulated surface layer of grease / oil in the interceptor. The innovative design of the bottom of the inlet baffle directs the incoming waste water sideways into the interceptor for the most efficient laminar flow. The baffle also serves to reduce the velocity and surge of inflow, providing sufficient retention time for effective separation of the grease. The grease rises to the surface for manual or pump out removal and the baffle is easy to remove for cleaning. The waste water is now relieved of over 90% of the fats, oils, and greases and continues to flow through the interceptor.

<p>External Sampling Port</p> <p>For jurisdictions that require the installation of an external sampling port, the MIFAB® BIG-SP is the answer. It is manufactured from HDPE and available with a standard AASHTO H-20 load rated cover. (Specify Suffix -SP)</p> <p>H-20 Load Rated Lid</p> <p>Multiple inlet / outlet options</p>	<p>High Level Alarm Illustrated (Specify suffix -HLA)</p> <ul style="list-style-type: none"> 1" Red LED with Integrated 90dB Horn IP67 Gasketed Enclosure Outdoor Rated Internal PCB with Hardened Electronics Connects to Local 2.4GHz WiFi Network Optional Mounting Feet (Wall Anchors Included) <p>Wifi capability is available with the -HLA. Go to the www.mifab.com website for wifi set up procedures. (Specify suffix -HLA-wifi)</p>
--	--

Note that the the alarm control box and float switch are not installed at the MIFAB factory. They need to be installed on site.

CALIFORNIA PROPOSITION 65 WARNING. This product contains chemicals known to the State of California to cause cancer and birth defects or other reproductive harm.



1. External Vented Flow Control Fitting

All of MIFAB's PDI approved grease interceptors are supplied with an external, vented flow control fitting. Studies have proven that the use of an external, vented flow control fitting results in more effective grease interception because of the air introduced into the drain line through the vent in the top of the flow control fitting. As this air enters the interceptor, grease coats the resulting air bubbles and increases the efficiency of the grease rising to the surface.



2. Sample Port Access

Sample port access is provided standard in our interceptors. Simply remove the lid to gain access to the top opening of the internal inlet and outlet piping. A sample of the water discharging from the interceptor can be taken from the top opening of the outlet piping (deep seal trap).

3. H-20 Load Rated Lid

Standard, 20,000 Lb. AASHTO H-20 load rated steel encased composite, gasketed lids and collar are standard to withstand heavy loads

4. Structural Integrity

Ribbed body design provides extra structural integrity for in ground installations. The body is manufactured in the USA out of seamless, rotationally molded High Density Polyethylene with a 3/8" uniform wall thickness. The body is strong but lightweight, allowing it to be installed without the need of a backhoe or crane. The H.D.P.E. material will not crack, chip or bulge under extreme impact, sunlight and / or temperature changes. H.D.P.E. is a much better material for interceptors than fiberglass because H.D.P.E. has resistance to a greater number of chemicals than fiberglass. Fiberglass is also hard and stiff and is subject to cracking. A rotationally molded H.D.P.E. interceptor is simply tougher and has much greater impact resistance vs. fiberglass. Fiberglass interceptors also have a negative environmental impact because they are made with VOCs - (Volatile Organic Compounds). Facilities that produce fiberglass interceptors have a negative impact on the environment because of VOCs they put into the air. Rotationally molded H.D.P.E. interceptors have NO environmental impact. All Big Max interceptors can withstand a temperature of up to and including 180 degrees Fahrenheit.

5. Narrow Width

The 33 1/2" width allows the interceptor to fit through doorways and down stairwells. Two people can carry and install the interceptor.

6. With MIFAB's patented extension system every lid ships with an 18" x 18" piece of ADS corrugated pipe which provides the installer with up to a 24 1/2" "C" dimension.

If a greater "C" dimension is required, the contractor has the option to purchase an extension from MIFAB® or to buy a length of ADS pipe from their local waterworks wholesaler in order to complete the installation immediately. This also means that the cost of the MIFAB® extension (when ordered from a local waterworks wholesaler will be significantly less expensive than buying the same height extension system from others). In addition, extensions from others are only available from that specific manufacturer – resulting in delays and time for production and shipment to the contractor. Flexible extensions make for easier installation where grade may be unlevel.



Key Feature

7. Extra Rough-in Dimension

The standard rough-in dimension ("C" dimension – from the middle of the inlet / outlet to the top of the lid) is 24 1/2" and can be field adjusted by the contractor down to 15 1/2" on the BIG-750 and to 16" on the BIG-1150. The 24 1/2" rough-in dimension provided is almost double that of others – making it less likely to buy expensive extensions.

8. Forklift Access

Forklift access points are provided in the bottom of the interceptors to allow for easy handling.

Approvals

MIFAB's BIG-500, BIG-750 and BIG-1150 grease interceptors are tested and certified to the PDI G-101, ASME A112.14.3 and CSA B481 Standards and listed with I.A.P.M.O. Big Max grease interceptors are also in compliance with International Plumbing Code (I.P.C.) / I.C.C. by I.A.P.M.O.

Grease Design Capacity

MIFAB's BIG-750 has a flow rate of 75 GPM and a grease design capacity of 750 lbs. and the BIG-1150 grease interceptor has a flow rate of 100 GPM and a grease design capacity of 1,150 lbs. These capacities are greater than others in the market.

Grip Points for Anchor Kit

Two grip points are provided on each side of the interceptor for easy handling. These grip points also serve as securing areas for MIFAB's high water anchor kit which allows the contractor to secure the interceptor to the ground before concrete is poured around the unit (Suffix -AK).

Options and Accessories

MIFAB's 40 years of experience with grease interceptors provides us with a superior knowledge of options and accessories often required with grease interceptors. We can expertly provide any of the following options: dosing pump, anchor kit, remote pump out, enzyme port, high level alarm, multiple inlet and outlet ports, sediment bucket and threaded connections.

Lifetime Warranty. Made in the USA

MIFAB® offers a limited lifetime warranty on all of our plastic grease and oil interceptors. MIFAB's plastic grease and oil interceptors are made in the United States of America and meet the requirements of the Buy American Act.

Multiple Inlet/Outlet Options

MIFAB's interceptors are manufactured with two flat spaces on each side for two optional side inlets or outlets on both sides of the interceptor. This allows for straight through or side inlet/outlet pipe connections. (Specify required suffix for desired optional inlet/outlet).

"We have been very successful with the MIFAB HDPE interceptor stocking program vs. Schier due to the ease of doing business, their sizing program and the profit that can be made from the ADS corrugated pipe plus the healthy stock of inventory Chicago."

– Steve Ell, Manager, Ferguson, Omaha, NE



Made in U.S.A.

CALIFORNIA PROPOSITION 65 WARNING. This product contains chemicals known to the State of California to cause cancer and birth defects or other reproductive harm.

Design and dimensions are subject to modification. Prices do not include applicable taxes. Visit www.mifab.com for the most recent product information.

MIFAB®, Inc., 1321 West 119th Street, Chicago, Illinois 60643-5109, USA

USA Toll Free: 1-800-465-2736 • Fax: 1-773-341-3049
Canada Toll Free: 1-800-387-3880 • sales@mifab.com

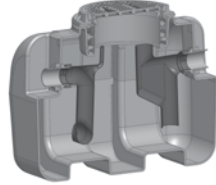
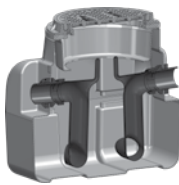
All sales subject to MIFAB's® Terms and Conditions. Please refer to Page 106.

Specification: MIFAB® Series BIG ____ HDPE rotational molded grease interceptor with flow rating of ____ (indicate) and liquid holding capacity of ____ (indicate). Unit shall include: 3/8" uniform wall thickness, deep seal trap covered by lid, internal air relief bypass, adjustable lid system, stainless steel calibrated orifice plate (internal flow control), sample port access and 4" no hub inlet and outlet connections. Steel encased composite lid provides a water / gas tight seal and has a minimum of 20,000 lbs. load capacity. The lid is designed in accordance with the loading requirements of AASHTO H20. Interceptor shall be tested and certified to the P.D.I. Standard PDI-G101 (when installed with an external, vented flow control fitting), CSA B481, A.S.M.E. A112.14.3 and listed with I.A.P.M.O. Big Max grease interceptors are also in compliance with International Plumbing Code (I.P.C.) / I.C.C. by I.A.P.M.O.

Function: Used in restaurants, kitchens, institutional and industrial facilities such as food processing and packaging plants and other types of food processing areas where fat, oil and grease (FOG) drains with the waste water. Typically installed either on or into the floor. Narrow width permits access through doorways and down stairwells. High Density Polyethylene construction ensures a lightweight installation process (two people can move and install it). Regular maintenance is required to keep the interceptor functioning. All Big Max interceptors can withstand a temperature of up to and including 180 degrees Fahrenheit.

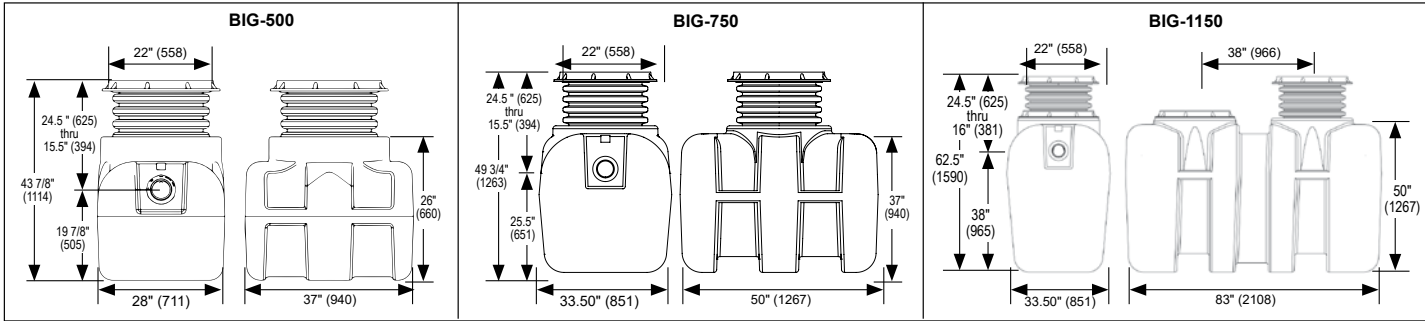
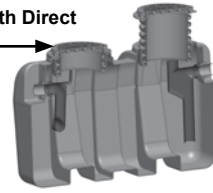


PDI approved when shipped with an external, vented flow control fitting



U.S. Patent # 9,551,142

Illustrated with Direct Connect lid (Standard)



Model No.	Flow Rate (GPM)	Grease Design Capacity	Liquid Holding Capacity (Gallons / Cu. Ft.)	Sediment Capacity (Gallons)	B Width	Shipping Weight (Lbs.)	List Price
BIG-500	50	250 Lbs. (35 Gallons)	55 / 7.19	28	28.00"	92	\$2,838.00
BIG-750	75	501 Lbs. (70 Gallons)	140 / 18.6	42	33.50"	150	\$3,929.00
BIG-1150	100	1,556 Lbs. (218 Gallons)	300 / 40	115	33.50"	275	\$7,028.00

Note: the BIG-500, BIG-750 and BIG-1150 models only meet PDI Standards when installed with an external, vented flow control fitting.

SUFFIX	OPTIONAL VARIATIONS	PART NO.	LIST PRICE
-AK	Anchor kit (set of two) for BIG-500	BIG-500-AK-SET	\$768.00
-AK	Anchor kit (set of two) for BIG-750	BIG-750-AK-SET	\$768.00
-AK	Anchor kit (set of two) for BIG-1150	BIG-1150-AK-SET	\$768.00
-C	Lid Extension - up to 44" high - for BIG-500 and BIG-750	BIG-750-EXT-44	\$632.00
-C	Lid Extension - up to 72" high - for BIG-500 and BIG-750	BIG-750-EXT-72	\$1,264.00
-C	Lid Extension - up to 94" high - for BIG-500 and BIG-750	BIG-750-EXT-94	\$1,896.00
-C	Lid Extension - up to 44" high - for BIG-1150	BIG-1150-EXT-44 (2 pcs. Incl.)	\$1,264.00
-C	Lid Extension - up to 72" high - for BIG-1150	BIG-1150-EXT-72 (2 pcs. Incl.)	\$2,528.00
-C	Lid Extension - up to 94" high - for BIG-1150	BIG-1150-EXT-94 (2 pcs. Incl.)	\$3,792.00
-DI	Ductile iron lid and collar - for BIG-500	XL-MI-G-0-PL4	\$744.00
-DI	Ductile iron lid and collar - for BIG-750	XL-MI-G-0-PL4	\$744.00
-DI	Ductile iron lid and collar - for BIG-1150 (2 pcs. Included)	XL-MI-G-0-PL4 (2 pcs. Included)	\$1,488.00
-DP	Dosing Pump for Lil Max, Big Max, SuperMax (includes the -EP enzyme port)	XL-MI-PL-DP	\$980.00
-EP	Enzyme port for Lil Max, Big Max, SuperMax	XL-MI-PL-EP	\$77.00
-F6	6" no hub inlet and outlet (flow rate of 700 GPM with 6" connections)	MI-G-PL-PF6 (2 pcs. required)	\$255.00
-FL-C	Membrane clamp kit for BIG-500 and BIG-750	BIG-750-PFLM	\$1,040.00
-FL-C	Membrane clamp kit for BIG-1150 (2 pcs. Included)	BIG-1150-PFLM (2 pcs. Included)	\$2,080.00
-HF	250 GPM flow rate (with 4" connections)	-	\$620.00
-HLA	High level alarm and float switch (to be installed on site) (for Lil Max, Big Max, SuperMax)	XL-MI-PL-HLA	\$2,700.00
-LHSI	No hub inlet on left hand side (not available with sediment bucket) (for Lil Max, Big Max, SuperMax)	MI-G-PL-PF4	\$73.00
-LHSO	No hub outlet on left hand side (not available with sediment bucket) (for Lil Max, Big Max, SuperMax)	MI-G-PL-PF4	\$73.00
-PDI	PDI plate and external, vented flow control fitting (to meet PDI G-101 Standard)	-PDI	No Add
-POK	Remote pump out kit (specify location and number required)	BIG-MAX-POK	\$261.00
-RHSI	No hub inlet on right hand side (not available with sediment bucket) (for Lil Max, Big Max, SuperMax)	MI-G-PL-PF4	\$73.00
-RHSO	No hub outlet on right hand side (not available with sediment bucket) (for Lil Max, Big Max, SuperMax)	MI-G-PL-PF4	\$73.00
-RPO	4" Remote pump outlet connections on top of interceptor - specify location and number required	BIG-MAX-RPO	\$126.00
-SB	Sediment bucket - for BIG-500	BIG-500-PSB	\$315.00
-SB	Sediment bucket - for BIG-750	BIG-750-PSB	\$339.00
-SB	Sediment bucket - for BIG-1150	BIG-1150-PSB	\$362.00
-SP	External sampling port - inline, high connections	BIG-SP	\$2,115.00
-SP-L	External sampling port - inline, low connections	BIG-SP-L	\$2,115.00
-SP-OFF	External sampling port - offset	BIG-SP-OFF	\$2,115.00
-T	Female threaded connections (2 pcs. Included)	MI-G-PL-PF4T	\$150.00

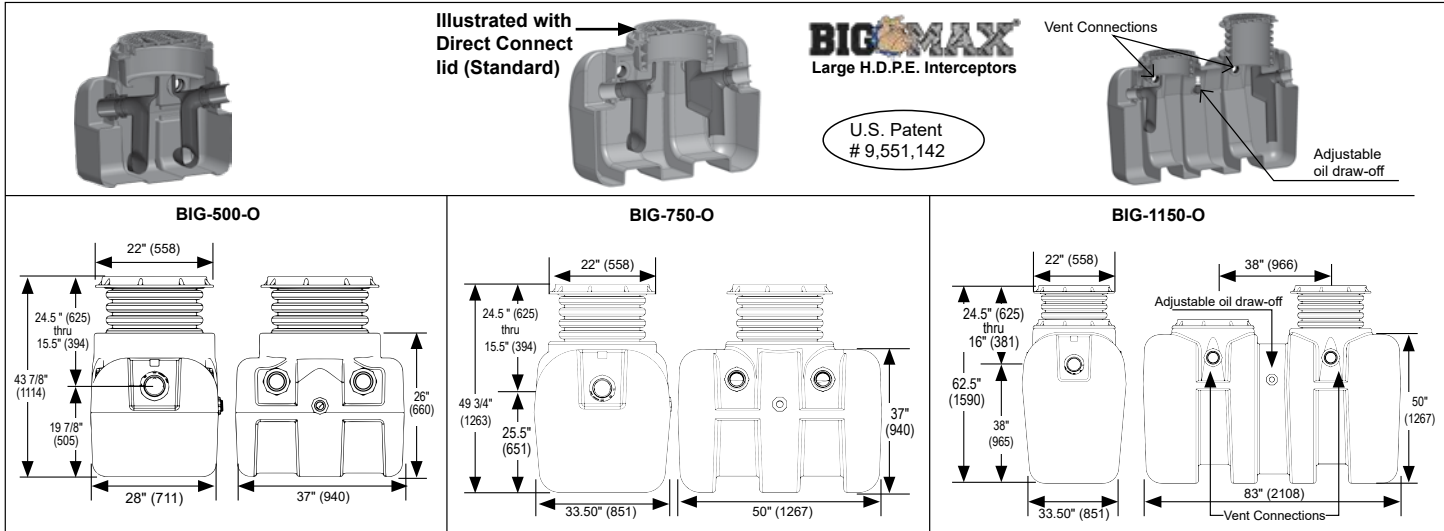
"The MIFAB poly grease interceptor is very easy to install and the riser and lid that can be cut to finished floor means we no longer have to fight with elevation of pipe or build a concrete vault to set the tank below finished grade. It's all that I'll use for an interior grease interceptor for a small commercial kitchen. Great product!"

- Jason White, Manager, South Lake Plumbing, Clermont, FL

CALIFORNIA PROPOSITION 65 WARNING. This product contains chemicals known to the State of California to cause cancer and birth defects or other reproductive harm.

Specification: MIFAB® Series BIG-____-O HDPE rotational molded oil interceptor with flow rating of ____ (indicate) and liquid holding capacity of ____ (indicate). Unit shall include: 3/8" uniform wall thickness, deep seal trap covered by lid, adjustable lid system, stainless steel calibrated orifice plate (internal flow control), internal air relief by-pass, adjustable oil draw-off assembly (1 1/2") on each side, double vent connections (3") on each side, sample port access and 4" no hub inlet and outlet connections. Steel encased composite lid provides a water / gas tight seal and has a minimum of 20,000 lbs. load capacity. The lid is designed in accordance with the loading requirements of AASHTO H20.

Function: Oil interceptors are required anywhere oil and sand may be introduced to the public sewer system in applications such as: repair garages, oil change stations, car wash facilities, parking garages, parking lots, hydraulic elevator pits and facilities where oil and flammable liquid waste are produced as a result of manufacturing, storage, maintenance, repair or testing processes. The interceptor collects the oil before it is drained to an adjacent storage tank through an adjustable draw off system. Typically installed either on or into the floor. Narrow width permits access through doorways and down stairwells. High Density Polyethylene construction ensures a lightweight installation process (two people can move and install it). Regular maintenance is required to keep the interceptor functioning. All Big Max interceptors can withstand a temperature of up to and including 180 degrees Fahrenheit.



Model No.	Flow Rate (GPM)	Oil Storage Holding Capacity (Gallons)	Liquid Holding Capacity (Gallons/Cu. Ft.)	Sand Capacity (Gallons)	B Width	Shipping Weight (Lbs.)	List Price (Oil Interceptor)	List Price (Holding Tank)
BIG-500-O	50	41	55 / 7.19	5	28.00"	92	\$2,700.00	\$2,700.00
BIG-750-O	75	118	140 / 18.6	14	33.50"	150	\$3,700.00	\$3,700.00
BIG-1150-O	100	172	300 / 40	114	33.50"	275	\$6,800.00	\$6,800.00

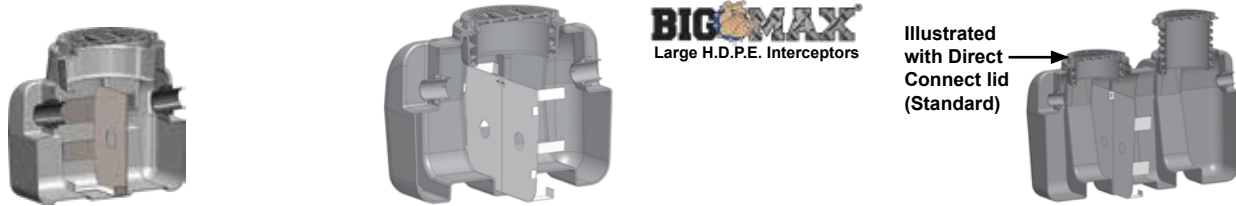
SUFFIX	OPTIONAL VARIATIONS	PART NO.	LIST PRICE
-AK	Anchor kit (set of two) for BIG-500-O	BIG-500-AK-SET	\$768.00
-AK	Anchor kit (set of two) for BIG-750-O	BIG-750-AK-SET	\$768.00
-AK	Anchor kit (set of two) for BIG-1150-O	BIG-1150-AK-SET	\$768.00
-C	Lid Extension - up to 44" high - for BIG-500-O and BIG-750-O	BIG-750-EXT-44	\$632.00
-C	Lid Extension - up to 72" high - for BIG-500-O and BIG-750-O	BIG-750-EXT-72	\$1,264.00
-C	Lid Extension - up to 94" high - for BIG-500-O and BIG-750-O	BIG-750-EXT-94	\$1,896.00
-C	Lid Extension - up to 44" high - for BIG-1150-O	BIG-1150-EXT-44 (2 pcs. Incl.)	\$1,264.00
-C	Lid Extension - up to 72" high - for BIG-1150-O	BIG-1150-EXT-72 (2 pcs. Incl.)	\$2,528.00
-C	Lid Extension - up to 94" high - for BIG-1150-O	BIG-1150-EXT-94 (2 pcs. Incl.)	\$3,792.00
-COA	Coalescer pack	BIG-*.COA	\$3,129.00
-DI	Ductile iron lid and collar - for BIG-500-O	XL-MI-G-0-PL4	\$744.00
-DI	Ductile iron lid and collar - for BIG-750-O	XL-MI-G-0-PL4	\$744.00
-DI	Ductile iron lid and collar - for BIG-1150-O (2 pcs. Included)	XL-MI-G-0-PL4 (2 pcs. Included)	\$1,488.00
-EP	Enzyme port for Lil Max, Big Max, SuperMax	XL-MI-PL-EP	\$77.00
-F6	6" no hub inlet and outlet (flow rate of 700 GPM with 6" connections)	MI-G-PL-PF6 (2 pcs. required)	\$255.00
-FL-C	Membrane clamp kit for BIG-500-O and BIG-750-O	BIG-750-PFLM	\$1,040.00
-FL-C	Membrane clamp kit for BIG-1150-O (2 pcs. Included)	BIG-1150-PFLM (2 pcs. Included)	\$2,080.00
-HF	250 GPM flow rate (with 4" connections)	-	No Add
-HLA	High level alarm and float switch (to be installed on site) (for Lil Max, Big Max, SuperMax)	XL-MI-PL-HLA	\$2,700.00
-LHSI	No hub inlet on left hand side (not available with sediment bucket) (for Lil Max, Big Max, SuperMax)	MI-G-PL-PF4	\$73.00
-LHSO	No hub outlet on left hand side (not available with sediment bucket) (for Lil Max, Big Max, SuperMax)	MI-G-PL-PF4	\$73.00
-O-HT	Holding Tank	-	See Above
-POK	Remote pump out kit (specify location and number required)	BIG-MAX-POK	\$261.00
-RHSI	No hub inlet on right hand side (not available with sediment bucket) (for Lil Max, Big Max, SuperMax)	MI-G-PL-PF4	\$73.00
-RHOS	No hub outlet on right hand side (not available with sediment bucket) (for Lil Max, Big Max, SuperMax)	MI-G-PL-PF4	\$73.00
-RPO	4" Remote pump outlet connections on top of interceptor - specify location and number required	BIG-MAX-RPO	\$126.00
-SB	Sediment bucket - for BIG-500-O	BIG-500-PSB	\$315.00
-SB	Sediment bucket - for BIG-750-O	BIG-750-PSB	\$339.00
-SB	Sediment bucket - for BIG-1150-O	BIG-1150-PSB	\$362.00
-SP	External sampling port - inline, high connections	BIG-SP	\$2,115.00
-SP-L	External sampling port - inline, low connections	BIG-SP-L	\$2,115.00
-SP-OF	External sampling port - offset	BIG-SP-OF	\$2,115.00
-T	Female threaded connections (2 pcs. Included)	MI-G-PL-PF4T	\$150.00

CALIFORNIA PROPOSITION 65 WARNING. This product contains chemicals known to the State of California to cause cancer and birth defects or other reproductive harm.

Design and dimensions are subject to modification. Prices do not include applicable taxes. Visit www.mifab.com for the most recent product information.

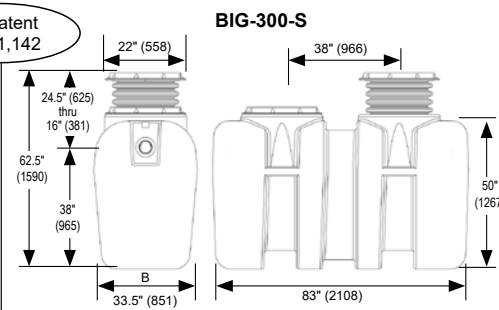
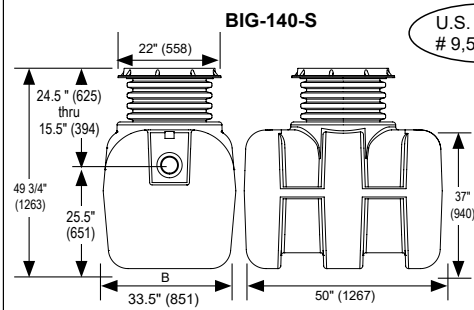
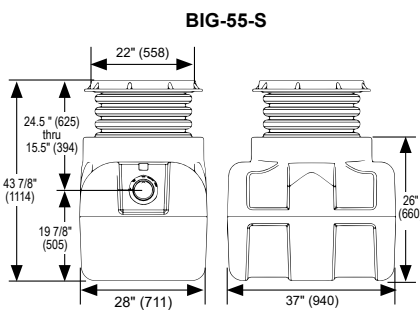
Specification: MIFAB® Series BIG- ____ -S HDPE rotational molded solids interceptor with solids holding capacity of ____ (indicate). Unit shall include: 3/8" uniform wall thickness, solids retention baffle with elevated 3" diameter passageway, adjustable lid system, sample port access and 4" no hub inlet and outlet connections. Steel encased composite lid provides a water / gas tight seal and has a minimum of 20,000 lbs. load capacity. The lid is designed in accordance with the loading requirements of AASHTO H20.

Function: Solids interceptors are required anywhere that solids may be introduced into the public sewer system in applications such as: barber shops, dentist offices, salons, artist studios, laundry facilities, machine shops, food waste, parking lots, car washes, food processing, livestock and agricultural drainage. These wastes must be separated before entering the sewer system. Ideally installed between the fixtures and the grease interceptor in restaurants, kitchens, institution industrial facilities such as food processing and packaging plants and other types of food processing areas where fat, oil and grease (FOG) drains with the waste water. Sediment and debris are collected inside of the internal sediment bucket to ensure that this matter does not clog the grease interceptor. Typically installed either on or into the floor. Narrow width permits access through doorways and down stairwells. High Density Polyethylene construction ensures a lightweight installation process (two people can move and install it). Regular maintenance is required to keep the interceptor functioning. All Big Max interceptors can withstand a temperature of up to and including 180 degrees Fahrenheit.



BIG MAX
Large H.D.P.E. Interceptors

Illustrated with Direct Connect lid (Standard)



Model No.	LIQUID CAP. (Gallons / Cu. Ft.)	SOLIDS CAP. (Gallons / Cu. Ft.)	B Width	Shipping Weight (Lbs.)	List Price
BIG-55-S	55 / 7.19	28 / 4	28.00"	92	\$2,400.00
BIG-140-S	140 / 18.30	70 / 9	33.50"	165	\$3,100.00
BIG-300-S	300 / 39.21	150 / 20	33.50"	290	\$5,900.00

SUFFIX	OPTIONAL VARIATIONS	PART NO.	LIST PRICE
-AK	Anchor kit (set of two) for BIG-55-S	BIG-500-AK-SET	\$768.00
-AK	Anchor kit (set of two) for BIG-140-S	BIG-750-AK-SET	\$768.00
-AK	Anchor kit (set of two) for BIG-300-S	BIG-1150-AK-SET	\$768.00
-C	Lid Extension - up to 44" high - for BIG-55-S and BIG-140-S	BIG-750-EXT-44	\$632.00
-C	Lid Extension - up to 72" high - for BIG-55-S and BIG-140-S	BIG-750-EXT-72	\$1,264.00
-C	Lid Extension - up to 94" high - for BIG-55-S and BIG-140-S	BIG-750-EXT-94	\$1,896.00
-C	Lid Extension - up to 44" high - for BIG-300-S	BIG-1150-EXT-44 (2 pcs. Incl.)	\$1,264.00
-C	Lid Extension - up to 72" high - for BIG-300-S	BIG-1150-EXT-72 (2 pcs. Incl.)	\$2,528.00
-C	Lid Extension - up to 94" high - for BIG-300-S	BIG-1150-EXT-94 (2 pcs. Incl.)	\$3,792.00
-DI	Ductile iron lid and collar - for BIG-55-S	XL-MI-G-0-PL4	\$744.00
-DI	Ductile iron lid and collar - for BIG-140-S	XL-MI-G-0-PL4	\$744.00
-DI	Ductile iron lid and collar - for BIG-300-S (2 pcs. Included)	XL-MI-G-0-PL4 (2 pcs. Included)	\$1,488.00
-F6	6" no hub inlet and outlet (flow rate of 700 GPM with 6" connections)	MI-G-PL-PF6 (2 pcs. required)	\$255.00
-FL-C	Membrane clamp kit for BIG-55-S and BIG-140-S	BIG-750-PFLM	\$1,040.00
-FL-C	Membrane clamp kit for BIG-300-S (2 pcs. Included)	BIG-1150-PFLM (2 pcs. Included)	\$2,080.00
-HF	250 GPM flow rate (with 4" connections)	-	No Add
-LHSI	No hub inlet on left hand side (not available with sediment bucket) (for Lil Max, Big Max, SuperMax)	MI-G-PL-PF4	\$73.00
-LHSO	No hub outlet on left hand side (not available with sediment bucket) (for Lil Max, Big Max, SuperMax)	MI-G-PL-PF4	\$73.00
-POK	Remote pump out kit (specify location and number required)	BIG-MAX-POK	\$261.00
-RHSI	No hub inlet on right hand side (not available with sediment bucket) (for Lil Max, Big Max, SuperMax)	MI-G-PL-PF4	\$73.00
-RHSO	No hub outlet on right hand side (not available with sediment bucket) (for Lil Max, Big Max, SuperMax)	MI-G-PL-PF4	\$73.00
-RPO	4" Remote pump outlet connections on top of interceptor - specify location and number required	BIG-MAX-RPO	\$126.00
-SP	External sampling port - inline, high connections	BIG-SP	\$2,115.00
-SP-L	External sampling port - inline, low connections	BIG-SP-L	\$2,115.00
-SP-OF	External sampling port - offset	BIG-SP-OF	\$2,115.00
-T	Female threaded connections (2 pcs. Included)	MI-G-PL-PF4T	\$150.00

"The MIFAB Big Max poly interceptor is so much easier, faster, and safer than concrete."
- Greg Pruitt, Owner, George Pruitt Plumbing, Spartanburg, SC

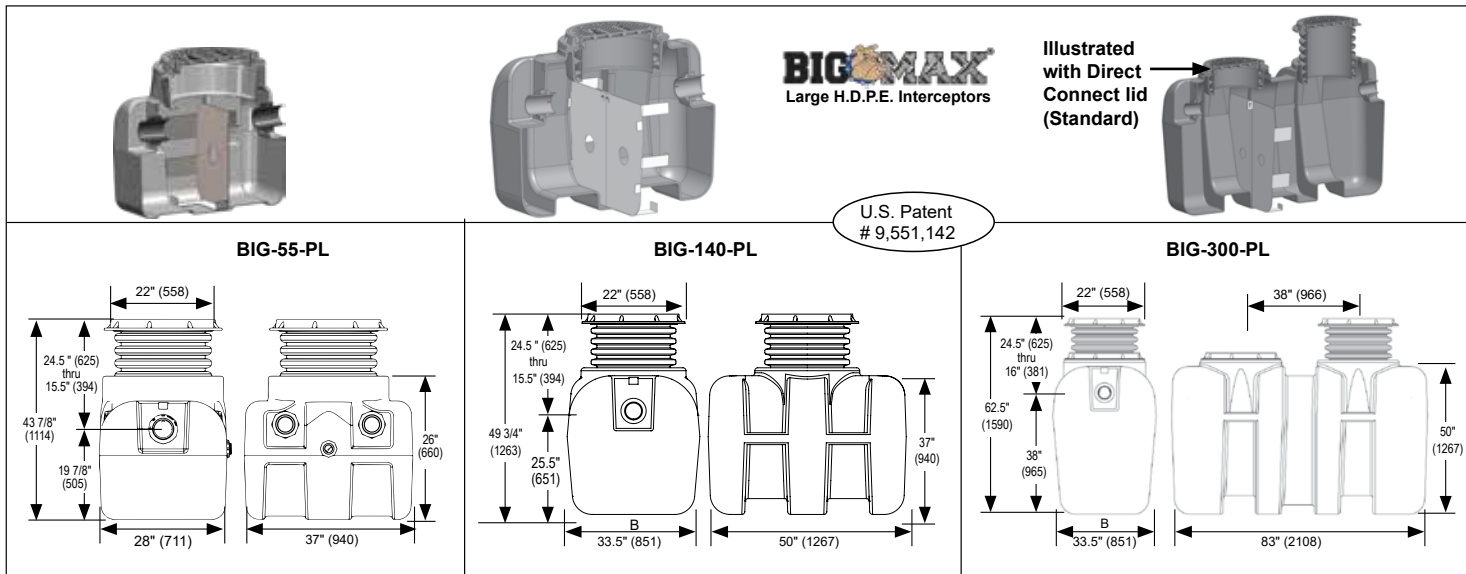
CALIFORNIA PROPOSITION 65 WARNING. This product contains chemicals known to the State of California to cause cancer and birth defects or other reproductive harm.

Design and dimensions are subject to modification. Prices do not include applicable taxes.

Visit www.mifab.com for the most recent product information.

Specification: MIFAB® Series BIG-____-PL HDPE rotational molded plaster interceptor with solids holding capacity of ____ (indicate). Unit shall include: 3/8" uniform wall thickness, plaster retention baffle with elevated 3" diameter passageway, adjustable lid system, sample port access and 4" no hub inlet and outlet connections. Steel encased composite lid provides a water / gas tight seal and has a minimum of 20,000 lbs. load capacity. The lid is designed in accordance with the loading requirements of AASHTO H20.

Function: Plaster interceptors are required anywhere that solids may be introduced into the public sewer system in applications such as: barber shops, dentist offices, salons, artist studios, laundry facilities, machine shops, food waste, parking lots, car washes, food processing, livestock and agricultural drainage. These wastes must be separated before entering the sewer system. The plaster interceptor will filter out plaster and sediment from the fixture waste line before entering the pipe system to reduce clogging and improve performance. Typically installed either on or into the floor. Narrow width permits access through doorways and down stairwells. High Density Polyethylene construction ensures a lightweight installation process (two people can move and install it). Regular maintenance is required to keep the interceptor functioning. All Big Max interceptors can withstand a temperature of up to and including 180 degrees Fahrenheit.



Model No.	LIQUID CAP. (Gallons / Cu. Ft.)	SOLIDS CAP. (Gallons / Cu. Ft.)	B Width	Shipping Weight (Lbs.)	List Price
BIG-55-PL	55 / 7.19	28 / 4	28.00"	92	\$3,800.00
BIG-140-PL	140 / 18.30	70 / 9	33.50"	165	\$4,900.00
BIG-300-PL	300 / 39.21	150 / 20	33.50"	290	\$7,500.00

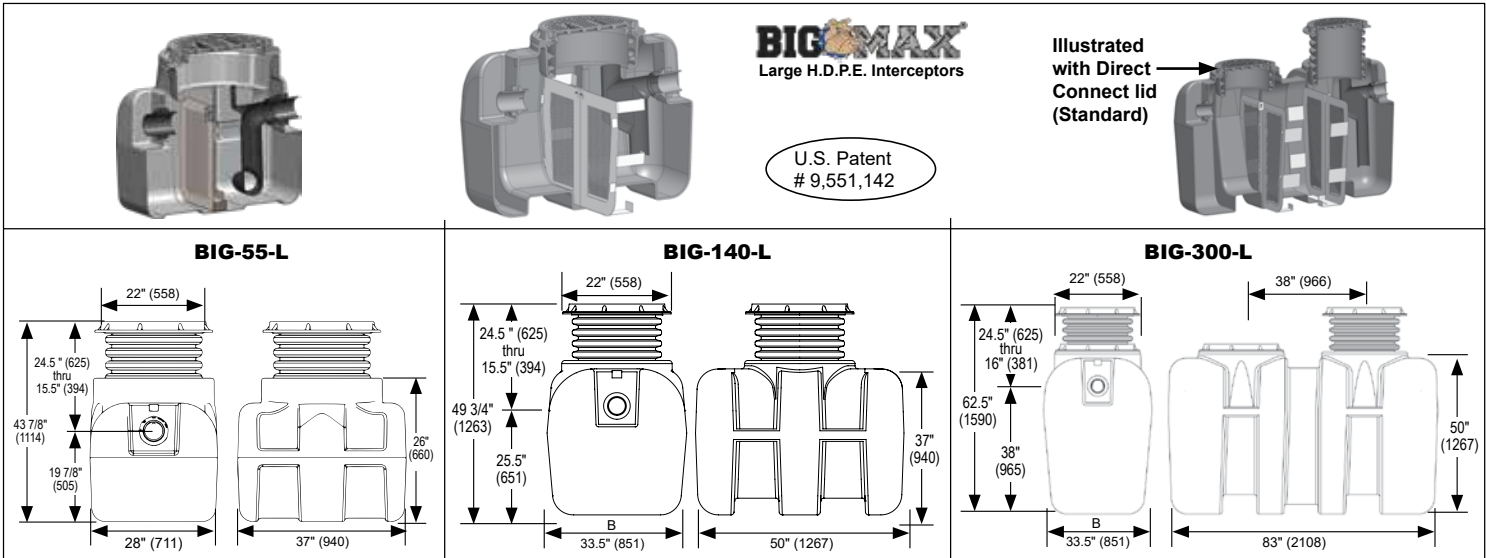
SUFFIX	OPTIONAL VARIATIONS	PART NO.	LIST PRICE
-AK	Anchor kit (set of two) for BIG-55-PL	BIG-55-PL-AK-SET	\$768.00
-AK	Anchor kit (set of two) for BIG-140-PL	BIG-140-PL-AK-SET	\$768.00
-AK	Anchor kit (set of two) for BIG-300-PL	BIG-1150-AK-SET	\$768.00
-C	Lid Extension - up to 44" high - for BIG-55-PL and BIG-140-PL	BIG-750-EXT-44	\$632.00
-C	Lid Extension - up to 72" high - for BIG-55-PL and BIG-140-PL	BIG-750-EXT-72	\$1,264.00
-C	Lid Extension - up to 94" high - for BIG-55-PL and BIG-140-PL	BIG-750-EXT-94	\$1,896.00
-C	Lid Extension - up to 44" high - for BIG-300-PL	BIG-1150-EXT-44 (2 pcs. Incl.)	\$1,264.00
-C	Lid Extension - up to 72" high - for BIG-300-PL	BIG-1150-EXT-72 (2 pcs. Incl.)	\$2,528.00
-C	Lid Extension - up to 94" high - for BIG-300-PL	BIG-1150-EXT-94 (2 pcs. Incl.)	\$3,792.00
-DI	Ductile iron lid and collar - for BIG-55-PL	XL-MI-G-0-PL4	\$744.00
-DI	Ductile iron lid and collar - for BIG-140-PL	XL-MI-G-0-PL4	\$744.00
-DI	Ductile iron lid and collar - for BIG-300-PL (2 pcs. Included)	XL-MI-G-0-PL4 (2 pcs. Included)	\$1,488.00
-F6	6" no hub inlet and outlet (flow rate of 700 GPM with 6" connections)	MI-G-PL-PF6 (2 pcs. required)	\$255.00
-FL-C	Membrane clamp kit for BIG-55-PL and BIG-140-PL	BIG-750-PFLM	\$1,040.00
-FL-C	Membrane clamp kit for BIG-300-PL (2 pcs. Included)	BIG-1150-PFLM (2 pcs. Included)	\$2,080.00
-HF	250 GPM flow rate (with 4" connections)	-	No Add
-LHSI	No hub inlet on left hand side (not available with sediment bucket) (for Lil Max, Big Max, SuperMax)	MI-G-PL-PF4	\$73.00
-LHSO	No hub outlet on left hand side (not available with sediment bucket) (for Lil Max, Big Max, SuperMax)	MI-G-PL-PF4	\$73.00
-POK	Remote pump out kit (specify location and number required)	BIG-MAX-POK	\$261.00
-RHSI	No hub inlet on right hand side (not available with sediment bucket) (for Lil Max, Big Max, SuperMax)	MI-G-PL-PF4	\$73.00
-RHSO	No hub outlet on right hand side (not available with sediment bucket) (for Lil Max, Big Max, SuperMax)	MI-G-PL-PF4	\$73.00
-RPO	4" Remote pump outlet connections on top of interceptor - specify location and number required	BIG-MAX-RPO	\$126.00
-SP	External sampling port - inline, high connections	BIG-SP	\$2,115.00
-SP-L	External sampling port - inline, low connections	BIG-SP-L	\$2,115.00
-SP-OFF	External sampling port - offset	BIG-SP-OFF	\$2,115.00
-T	Female threaded connections (2 pcs. Included)	MI-G-PL-PF4T	\$150.00

CALIFORNIA PROPOSITION 65 WARNING. This product contains chemicals known to the State of California to cause cancer and birth defects or other reproductive harm.

Design and dimensions are subject to modification. Prices do not include applicable taxes. Visit www.mifab.com for the most recent product information.

Specification: MIFAB® Series BIG-____-L HDPE rotational molded lint interceptor with liquid holding capacity of ____ (indicate) gallons. Unit shall include: dual strainer baffles with 3/8" Dia. holes, 1/2" apart, deep seal trap covered by lid, adjustable lid system, sample port access and 4" no hub inlet and outlet connections. Steel encased composite lid provides a water / gas tight seal and has a minimum of 20,000 lbs. load capacity. The lid is designed in accordance with the loading requirements of AASHTO H20.

Function: Used in laundries and maintenance facilities to receive waste water that contains lint. The lint interceptor will filter out lint and sediment from the fixture waste line before entering the pipe system to reduce clogging and improve performance. Typically installed either on or into the floor. Narrow width permits access through doorways and down stairwells. High Density Polyethylene construction ensures a lightweight installation process (two people can move and install it). Regular maintenance is required to keep the interceptor functioning. All Big Max interceptors can withstand a temperature of up to and including 180 degrees Fahrenheit.



Model No.	Number of Washing Machines	LIQUID CAP. (Gallons / Cu. Ft.)	SOLIDS CAP. (Gallons / Cu. Ft.)	B Width	Shipping Weight (Lbs.)	List Price
BIG-55-L	6	55 / 7.19	28 / 4	28.00"	92	\$4,285.00
BIG-140-L	14	140 / 18.30	70 / 9	33.50"	165	\$4,934.00
BIG-300-L	30	300 / 39.21	150 / 20	33.50"	290	\$7,802.00

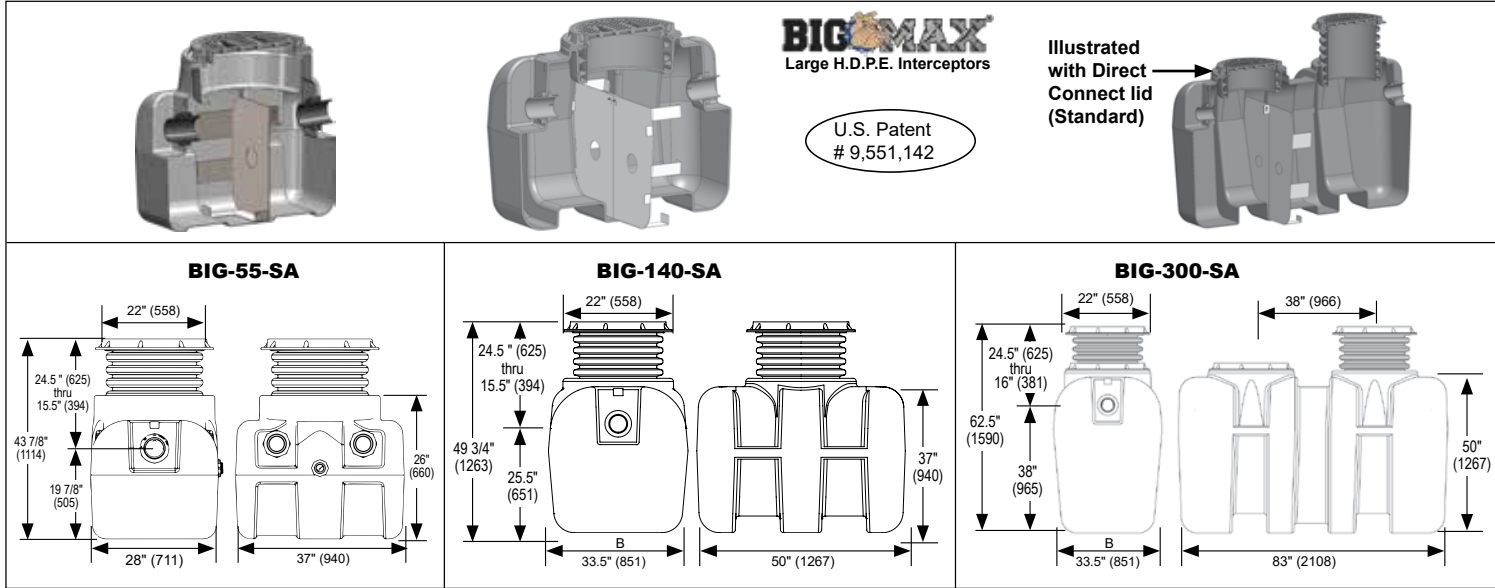
SUFFIX	OPTIONAL VARIATIONS	PART NO.	LIST PRICE
-AK	Anchor kit (set of two) for BIG-55-PL	BIG-500-AK-SET	\$768.00
-AK	Anchor kit (set of two) for BIG-140-L	BIG-750-AK-SET	\$768.00
-AK	Anchor kit (set of two) for BIG-300-L	BIG-1150-AK-SET	\$768.00
-C	Lid Extension - up to 44" high - for BIG-55-PL and BIG-140-PL	BIG-750-EXT-44	\$632.00
-C	Lid Extension - up to 72" high - for BIG-55-PL and BIG-140-PL	BIG-750-EXT-72	\$1,264.00
-C	Lid Extension - up to 94" high - for BIG-55-PL and BIG-140-PL	BIG-750-EXT-94	\$1,896.00
-C	Lid Extension - up to 44" high - for BIG-300-PL	BIG-1150-EXT-44 (2 pcs. Incl.)	\$1,264.00
-C	Lid Extension - up to 72" high - for BIG-300-PL	BIG-1150-EXT-72 (2 pcs. Incl.)	\$2,528.00
-C	Lid Extension - up to 94" high - for BIG-300-PL	BIG-1150-EXT-94 (2 pcs. Incl.)	\$3,792.00
-DI	Ductile iron lid and collar - for BIG-55-PL	XL-MI-G-0-PL4	\$744.00
-DI	Ductile iron lid and collar - for BIG-140-L	XL-MI-G-0-PL4	\$744.00
-DI	Ductile iron lid and collar - for BIG-300-L (2 pcs. Included)	XL-MI-G-0-PL4 (2 pcs. Included)	\$1,488.00
-F6	6" no hub inlet and outlet (flow rate of 700 GPM with 6" connections)	MI-G-PL-PF6 (2 pcs. required)	\$255.00
-FL-C	Membrane clamp kit for BIG-55-PL and BIG-140-L	BIG-750-PFLM	\$1,040.00
-FL-C	Membrane clamp kit for BIG-300-L (2 pcs. Included)	BIG-1150-PFLM (2 pcs. Included)	\$2,080.00
-HF	250 GPM flow rate (with 4" connections)	-	No Add
-LHSI	No hub inlet on left hand side (not available with sediment bucket) (for Lil Max, Big Max, SuperMax)	MI-G-PL-PF4	\$73.00
-LHSO	No hub outlet on left hand side (not available with sediment bucket) (for Lil Max, Big Max, SuperMax)	MI-G-PL-PF4	\$73.00
-POK	Remote pump out kit (specify location and number required)	BIG-MAX-POK	\$261.00
-RHSI	No hub inlet on right hand side (not available with sediment bucket) (for Lil Max, Big Max, SuperMax)	MI-G-PL-PF4	\$73.00
-RHSO	No hub outlet on right hand side (not available with sediment bucket) (for Lil Max, Big Max, SuperMax)	MI-G-PL-PF4	\$73.00
-RPO	4" Remote pump outlet connections on top of interceptor - specify location and number required	BIG-MAX-RPO	\$126.00
-SP	External sampling port - inline, high connections	BIG-SP	\$2,115.00
-SP-L	External sampling port - inline, low connections	BIG-SP-L	\$2,115.00
-SP-OFF	External sampling port - offset	BIG-SP-OFF	\$2,115.00
-T	Female threaded connections (2 pcs. Included)	MI-G-PL-PF4T	\$150.00

"The unique extension system on the MIFAB plastic interceptor line makes our installations quick and easy."
 – Larry Medlen, Project Manager, Rock City Mechanical, Nashville, TN

CALIFORNIA PROPOSITION 65 WARNING. This product contains chemicals known to the State of California to cause cancer and birth defects or other reproductive harm.

Specification: MIFAB® Series BIG-____-SA HDPE rotational molded sand interceptor with liquid holding capacity of ____ (indicate) gallons. Unit shall include: sand retention baffle with elevated 3" diameter passageway, 3/8" uniform wall thickness, adjustable lid system, sample port access and 4" no hub inlet and outlet connections. Steel encased composite lid provides a water / gas tight seal and has a minimum of 20,000 lbs. load capacity. The lid is designed in accordance with the loading requirements of AASHTO H20.

Function: Used in maintenance facilities to receive waste water that contains sand and sediment. The sand interceptor will filter out sand and sediment from the fixture waste line before entering the pipe system to reduce clogging and improve performance. Typically installed either on or into the floor. Narrow width permits access through doorways and down stairwells. High Density Polyethylene construction ensures a lightweight installation process (two people can move and install it). Regular maintenance is required to keep the interceptor functioning. All Big Max interceptors can withstand a temperature of up to and including 180 degrees Fahrenheit.



Model No.	LIQUID CAP. (Gallons / Cu. Ft.)	SAND CAP. (Gallons / Cu. Ft.)	B Width	Shipping Weight (Lbs.)	List Price
BIG-55-SA	55 / 7.19	28 / 4	28.00"	92	\$7,498.00
BIG-140-SA	140 / 18.30	70 / 9	33.50"	165	\$8,425.00
BIG-300-SA	300 / 39.21	150 / 20	33.50"	290	\$10,679.00

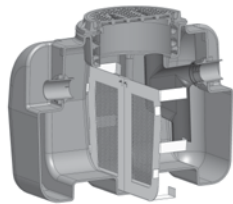
SUFFIX	OPTIONAL VARIATIONS	PART NO.	LIST PRICE
-AK	Anchor kit (set of two) for BIG-55-SA	BIG-500-AK-SET	\$768.00
-AK	Anchor kit (set of two) for BIG-140-SA	BIG-750-AK-SET	\$768.00
-AK	Anchor kit (set of two) for BIG-300-SA	BIG-1150-AK-SET	\$768.00
-C	Lid Extension - up to 44" high - for BIG-55-SA and BIG-140-SA	BIG-750-EXT-44	\$632.00
-C	Lid Extension - up to 72" high - for BIG-55-SA and BIG-140-SA	BIG-750-EXT-72	\$1,264.00
-C	Lid Extension - up to 94" high - for BIG-55-SA and BIG-140-SA	BIG-750-EXT-94	\$1,896.00
-C	Lid Extension - up to 44" high - for BIG-300-SA	BIG-1150-EXT-44 (2 pcs. Incl.)	\$1,264.00
-C	Lid Extension - up to 72" high - for BIG-300-SA	BIG-1150-EXT-72 (2 pcs. Incl.)	\$2,528.00
-C	Lid Extension - up to 94" high - for BIG-300-SA	BIG-1150-EXT-94 (2 pcs. Incl.)	\$3,792.00
-DI	Ductile iron lid and collar - for BIG-55-SA	XL-MI-G-0-PL4	\$744.00
-DI	Ductile iron lid and collar - for BIG-140-SA	XL-MI-G-0-PL4	\$744.00
-DI	Ductile iron lid and collar - for BIG-300-SA (2 pcs. Included)	XL-MI-G-0-PL4 (2 pcs. Included)	\$1,488.00
-F6	6" no hub inlet and outlet (flow rate of 700 GPM with 6" connections)	MI-G-PL-PF6 (2 pcs. required)	\$255.00
-FL-C	Membrane clamp kit for BIG-55-SA and BIG-140-SA	BIG-750-PFLM	\$1,040.00
-FL-C	Membrane clamp kit for BIG-300-SA (2 pcs. Included)	BIG-1150-PFLM (2 pcs. Included)	\$2,080.00
-HF	250 GPM flow rate (with 4" connections)	-	No Add
-LHSI	No hub inlet on left hand side (not available with sediment bucket) (for Lil Max, Big Max, SuperMax)	MI-G-PL-PF4	\$73.00
-LHSO	No hub outlet on left hand side (not available with sediment bucket) (for Lil Max, Big Max, SuperMax)	MI-G-PL-PF4	\$73.00
-OMAHA	Designed to meet the requirements of IBC 2012 and ASCE / SEI 7 for direct burial - Omaha, NE, Type 1 and Type 2 Interceptor	Contact MIFAB	No Add
-POK	Remote pump out kit (specify location and number required)	BIG-MAX-POK	\$261.00
-RHSI	No hub inlet on right hand side (not available with sediment bucket) (for Lil Max, Big Max, SuperMax)	MI-G-PL-PF4	\$73.00
-RHSO	No hub outlet on right hand side (not available with sediment bucket) (for Lil Max, Big Max, SuperMax)	MI-G-PL-PF4	\$73.00
-RPO	4" Remote pump outlet connections on top of interceptor - specify location and number required	BIG-MAX-RPO	\$126.00
-SP	External sampling port - inline, high connections	BIG-SP	\$2,115.00
-SP-L	External sampling port - inline, low connections	BIG-SP-L	\$2,115.00
-SP-OFF	External sampling port - offset	BIG-SP-OFF	\$2,115.00
-T	Female threaded connections (2 pcs. Included)	MI-G-PL-PF4T	\$150.00

CALIFORNIA PROPOSITION 65 WARNING. This product contains chemicals known to the State of California to cause cancer and birth defects or other reproductive harm.

Design and dimensions are subject to modification. Prices do not include applicable taxes. Visit www.mifab.com for the most recent product information.

Specification: MIFAB® Series BIG- ____ -F HDPE rotational molded fish scale interceptor with liquid holding capacity of ____ (indicate) gallons. Unit shall include: dual strainer baffles with 3/8" Dia. holes, 1/2" apart, deep seal trap covered by lid, adjustable lid system, sample port access and 4" no hub inlet and outlet connections. Steel encased composite lid provides a water / gas tight seal and has a minimum of 20,000 lbs. load capacity. The lid is designed in accordance with the loading requirements of AASHTO H20.

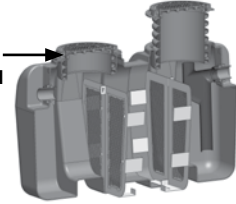
Function: Used in fish processing plants and facilities that sell fish to receive waste water that contains fish scales. The fish scale interceptor will filter out fish scales from the fixture waste line before entering the pipe system to reduce clogging and improve performance. Typically installed either on or into the floor. Narrow width permits access through doorways and down stairwells. High Density Polyethylene construction ensures a lightweight installation process (two people can move and install it). Regular maintenance is required to keep the interceptor functioning. All Big Max interceptors can withstand a temperature of up to and including 180 degrees Fahrenheit.



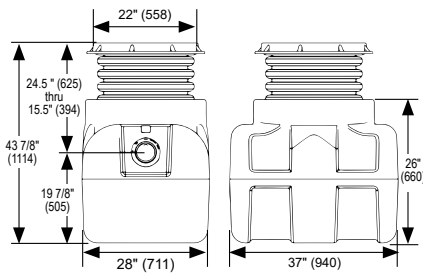
BIG MAX
Large H.D.P.E. Interceptors

U.S. Patent
9,551,142

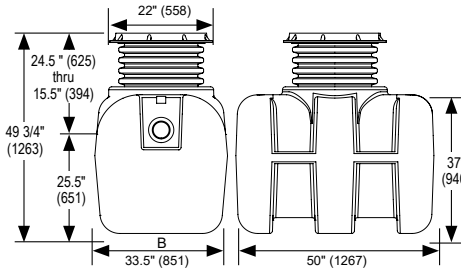
Illustrated with Direct Connect lid (Standard)



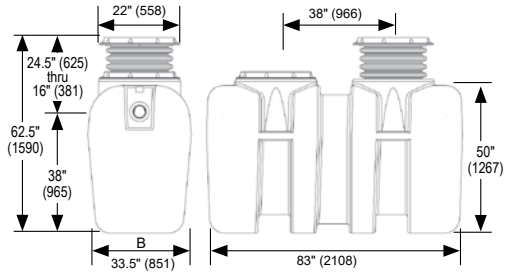
BIG-55-F



BIG-140-F



BIG-300-F



Model No.	LIQUID CAP. (Gallons / Cu. Ft.)	SOLIDS CAP. (Gallons / Cu. Ft.)	B Width	Shipping Weight (Lbs.)	List Price
BIG-55-F	55 / 7.19	28 / 4	28.00"	92	\$4,285.00
BIG-140-F	140 / 18.30	70 / 9	33.50"	165	\$4,934.00
BIG-300-F	300 / 39.21	150 / 20	33.50"	290	\$7,802.00

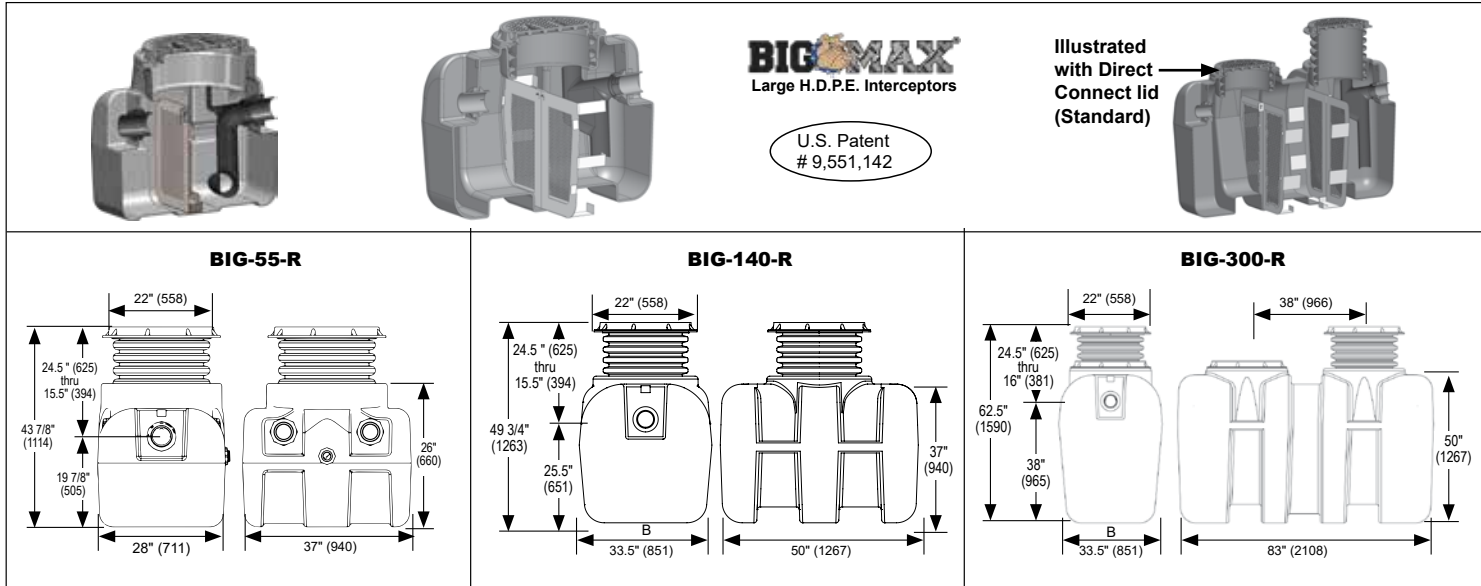
SUFFIX	OPTIONAL VARIATIONS	PART NO.	LIST PRICE
-AK	Anchor kit (set of two) for BIG-55-F	BIG-500-AK-SET	\$768.00
-AK	Anchor kit (set of two) for BIG-140-F	BIG-750-AK-SET	\$768.00
-AK	Anchor kit (set of two) for BIG-300-F	BIG-1150-AK-SET	\$768.00
-C	Lid Extension - up to 44" high - for BIG-55-F and BIG-140-F	BIG-750-EXT-44	\$632.00
-C	Lid Extension - up to 72" high - for BIG-55-F and BIG-140-F	BIG-750-EXT-72	\$1,264.00
-C	Lid Extension - up to 94" high - for BIG-55-F and BIG-140-F	BIG-750-EXT-94	\$1,896.00
-C	Lid Extension - up to 44" high - for BIG-300-F	BIG-1150-EXT-44 (2 pcs. Incl.)	\$1,264.00
-C	Lid Extension - up to 72" high - for BIG-300-F	BIG-1150-EXT-72 (2 pcs. Incl.)	\$2,528.00
-C	Lid Extension - up to 94" high - for BIG-300-F	BIG-1150-EXT-94 (2 pcs. Incl.)	\$3,792.00
-DI	Ductile iron lid and collar - for BIG-55-F	XL-MI-G-0-PL4	\$744.00
-DI	Ductile iron lid and collar - for BIG-140-F	XL-MI-G-0-PL4	\$744.00
-DI	Ductile iron lid and collar - for BIG-300-F (2 pcs. Included)	XL-MI-G-0-PL4 (2 pcs. Included)	\$1,488.00
-F6	6" no hub inlet and outlet (flow rate of 700 GPM with 6" connections)	MI-G-PL-PF6 (2 pcs. required)	\$255.00
-FL-C	Membrane clamp kit for BIG-55-F and BIG-140-F	BIG-750-PFLM	\$1,040.00
-FL-C	Membrane clamp kit for BIG-300-F (2 pcs. Included)	BIG-1150-PFLM (2 pcs. Included)	\$2,080.00
-HF	250 GPM flow rate (with 4" connections)	-	No Add
-LHSI	No hub inlet on left hand side (not available with sediment bucket) (for Lil Max, Big Max, SuperMax)	MI-G-PL-PF4	\$73.00
-LHSO	No hub outlet on left hand side (not available with sediment bucket) (for Lil Max, Big Max, SuperMax)	MI-G-PL-PF4	\$73.00
-POK	Remote pump out kit (specify location and number required)	BIG-MAX-POK	\$261.00
-RHSI	No hub inlet on right hand side (not available with sediment bucket) (for Lil Max, Big Max, SuperMax)	MI-G-PL-PF4	\$73.00
-RHSO	No hub outlet on right hand side (not available with sediment bucket) (for Lil Max, Big Max, SuperMax)	MI-G-PL-PF4	\$73.00
-RPO	4" Remote pump outlet connections on top of interceptor - specify location and number required	BIG-MAX-RPO	\$126.00
-SP	External sampling port - inline, high connections	BIG-SP	\$2,115.00
-SP-L	External sampling port - inline, low connections	BIG-SP-L	\$2,115.00
-SP-OF	External sampling port - offset	BIG-SP-OF	\$2,115.00
-T	Female threaded connections (2 pcs. Included)	MI-G-PL-PF4T	\$150.00

"I use MIFAB's Big Max and Super Max HDPE interceptors because of the extensions, the competitive pricing and the flexibility of installing the access ports no matter the depth."
- Mike Willman, E.J. Willman & Sons Plbg., Louisville, KY

CALIFORNIA PROPOSITION 65 WARNING. This product contains chemicals known to the State of California to cause cancer and birth defects or other reproductive harm.

Specification: MIFAB® Series BIG- ___ -R HDPE rotational molded rice interceptor with liquid holding capacity of ___ (indicate) gallons. Unit shall include: dual strainer baffles with 3/8" Dia. holes, 1/2" apart, deep seal trap covered by lid, adjustable lid system, sample port access and 4" no hub inlet and outlet connections. Steel encased composite lid provides a water / gas tight seal and has a minimum of 20,000 lbs. load capacity. The lid is designed in accordance with the loading requirements of AASHTO H20.

Function: Used in food processing plants and restaurant facilities that have a lot of rice to receive waste water. The rice interceptor will filter out rice from the fixture waste line before entering the pipe system to reduce clogging and improve performance. Typically installed either on or into the floor. Narrow width permits access through doorways and down stairwells. High Density Polyethylene construction ensures a lightweight installation process (two people can move and install it). Regular maintenance is required to keep the interceptor functioning. All Big Max interceptors can withstand a temperature of up to and including 180 degrees Fahrenheit.



Model No.	Liquid Holding Capacity (Gallons)	SOLIDS CAP. (Gallons / Cu. Ft.)	B Width	Shipping Weight (Lbs.)	List Price
BIG-55-R	55 / 7.19	28 / 4	28.00"	92	\$4,285.00
BIG-140-R	140 / 18.30	70 / 9	33.50"	165	\$4,934.00
BIG-300-R	300 / 39.21	150 / 20	33.50"	290	\$7,802.00

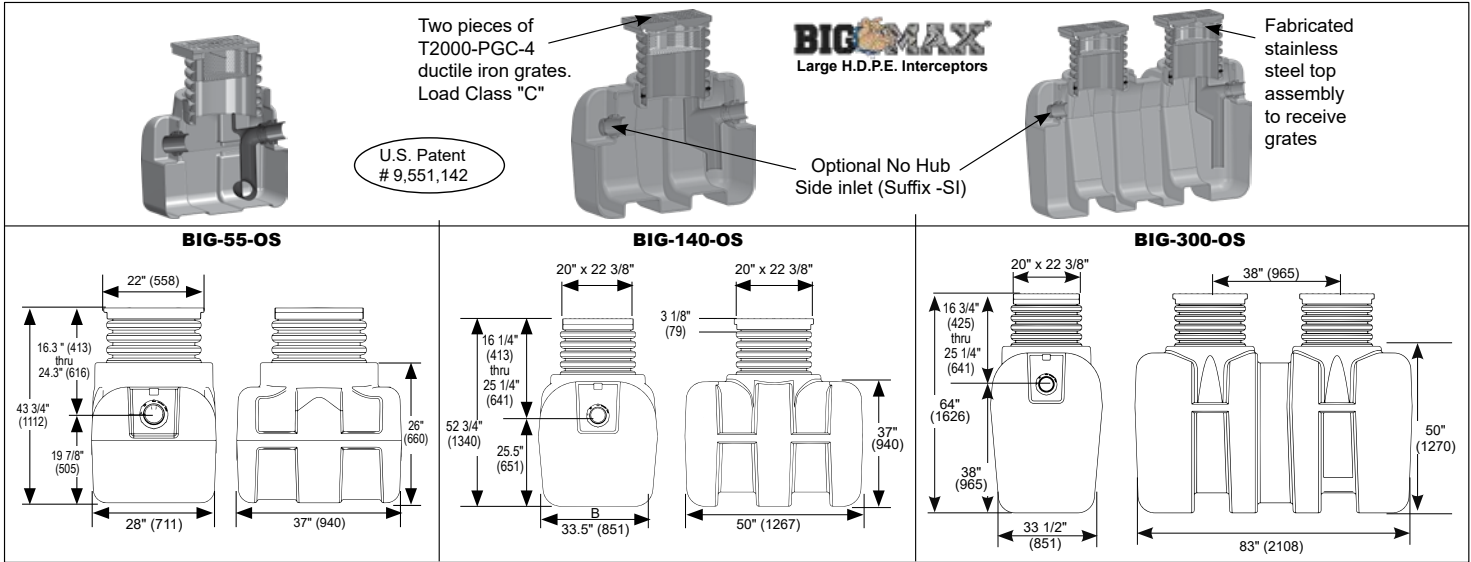
SUFFIX	OPTIONAL VARIATIONS	PART NO.	LIST PRICE
-AK	Anchor kit (set of two) for BIG-55-R	BIG-500-AK-SET	\$768.00
-AK	Anchor kit (set of two) for BIG-140-R	BIG-750-AK-SET	\$768.00
-AK	Anchor kit (set of two) for BIG-300-R	BIG-1150-AK-SET	\$768.00
-C	Lid Extension - up to 44" high - for BIG-55-R and BIG-140-R	BIG-750-EXT-44	\$632.00
-C	Lid Extension - up to 72" high - for BIG-55-R and BIG-140-R	BIG-750-EXT-72	\$1,264.00
-C	Lid Extension - up to 94" high - for BIG-55-R and BIG-140-R	BIG-750-EXT-94	\$1,896.00
-C	Lid Extension - up to 44" high - for BIG-300-R	BIG-1150-EXT-44 (2 pcs. Incl.)	\$1,264.00
-C	Lid Extension - up to 72" high - for BIG-300-R	BIG-1150-EXT-72 (2 pcs. Incl.)	\$2,528.00
-C	Lid Extension - up to 94" high - for BIG-300-R	BIG-1150-EXT-94 (2 pcs. Incl.)	\$3,792.00
-DI	Ductile iron lid and collar - for BIG-55-R	XL-MI-G-0-PL4	\$744.00
-DI	Ductile iron lid and collar - for BIG-140-R	XL-MI-G-0-PL4	\$744.00
-DI	Ductile iron lid and collar - for BIG-300-R (2 pcs. Included)	XL-MI-G-0-PL4 (2 pcs. Included)	\$1,488.00
-F6	6" no hub inlet and outlet (flow rate of 700 GPM with 6" connections)	MI-G-PL-PF6 (2 pcs. required)	\$255.00
-FL-C	Membrane clamp kit for BIG-55-R and BIG-140-R	BIG-750-PFLM	\$1,040.00
-FL-C	Membrane clamp kit for BIG-300-R (2 pcs. Included)	BIG-1150-PFLM (2 pcs. Included)	\$2,080.00
-HF	250 GPM flow rate (with 4" connections)	-	No Add
-LHSI	No hub inlet on left hand side (not available with sediment bucket) (for Lil Max, Big Max, SuperMax)	MI-G-PL-PF4	\$73.00
-LHSO	No hub outlet on left hand side (not available with sediment bucket) (for Lil Max, Big Max, SuperMax)	MI-G-PL-PF4	\$73.00
-POK	Remote pump out kit (specify location and number required)	BIG-MAX-POK	\$261.00
-RHSI	No hub inlet on right hand side (not available with sediment bucket) (for Lil Max, Big Max, SuperMax)	MI-G-PL-PF4	\$73.00
-RHSO	No hub outlet on right hand side (not available with sediment bucket) (for Lil Max, Big Max, SuperMax)	MI-G-PL-PF4	\$73.00
-RPO	4" Remote pump outlet connections on top of interceptor - specify location and number required	BIG-MAX-RPO	\$126.00
-SP	External sampling port - inline, high connections	BIG-SP	\$2,115.00
-SP-L	External sampling port - inline, low connections	BIG-SP-L	\$2,115.00
-SP-OF	External sampling port - offset	BIG-SP-OF	\$2,115.00
-T	Female threaded connections (2 pcs. Included)	MI-G-PL-PF4T	\$150.00

CALIFORNIA PROPOSITION 65 WARNING. This product contains chemicals known to the State of California to cause cancer and birth defects or other reproductive harm.

Design and dimensions are subject to modification. Prices do not include applicable taxes. Visit www.mifab.com for the most recent product information.

Specification: MIFAB® Series BIG-____-OS (indicate model) HDPE rotational molded oil / sediment interceptor with liquid holding capacity of _____ (indicate). Unit shall include: 3/8" uniform wall thickness, deep seal trap covered by Load Class "C" ductile iron top inlet grates, sediment bucket (3/8" Dia. holes, 1/2" apart) within adjustable top assembly system, internal air relief by-pass and sample port access.

Function: Oil / sediment interceptors are required anywhere oil and sediment may be introduced to the public sewer system in applications such as: repair garages, oil change stations, car wash facilities, parking garages and facilities where oil and flammable liquid waste are produced as a result of manufacturing, storage, maintenance, repair or testing processes. Sediment and debris are collected inside of the internal sediment bucket. Regular maintenance is required to keep the interceptor functioning. Interceptor to be installed flush with the floor. Standard BIG-OS models are made with heavy duty load rated (5,000 - 7,499 lbs.) ductile iron top inlet grates. The optional -SI models are made with an 4" no hub inlet opposite the outlet.



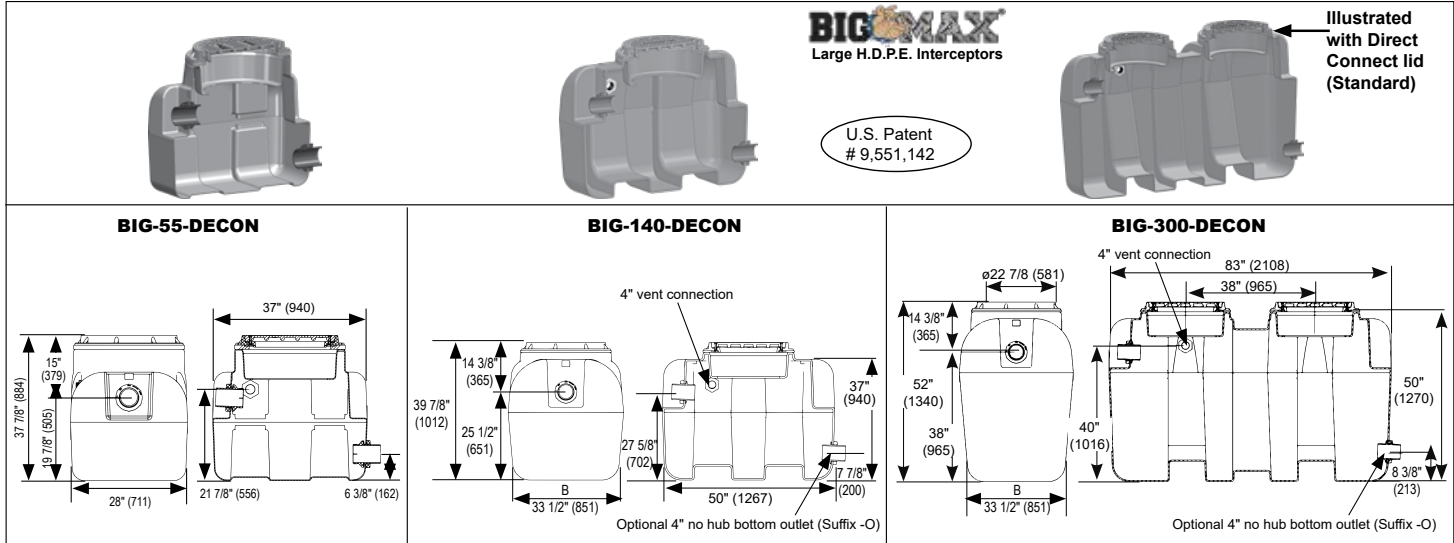
Model No.	Sludge Capacity (Gallons)	LIQUID CAP. (Gallons / Cu. Ft.)	B Width	Shipping Weight (Lbs.)	List Price
BIG-55-OS	105	55 / 7.19	28.00"	92	\$3,600.00
BIG-140-OS	118	140 / 18.30	33.50"	250	\$4,400.00
BIG-300-OS	172	300 / 39.21	33.50"	375	\$6,890.00

SUFFIX	OPTIONAL VARIATIONS	PART NO.	LIST PRICE
-3	Stainless steel veneers bolted to top of ductile iron grates for BIG-55-OS (2 pcs. Included)	T2000-PGCV-3	\$1,102.00
-3	Stainless steel veneers bolted to top of ductile iron grates for BIG-140-OS (2 pcs. Included)	T2000-PGCV-3	\$1,102.00
-3	Stainless steel veneers bolted to top of ductile iron grates for BIG-300-OS (4 pcs. Included)	T2000-PGCV-3	\$1,653.00
-AK	Anchor kit (set of two) for BIG-55-OS	BIG-500-AK-SET	\$768.00
-AK	Anchor kit (set of two) for BIG-140-OS	BIG-750-AK-SET	\$768.00
-AK	Anchor kit (set of two) for BIG-300-OS	BIG-1150-AK-SET	\$768.00
-C	Lid Extension - up to 44" high - for BIG-55-OS and BIG-140-OS	BIG-750-EXT-44	\$632.00
-C	Lid Extension - up to 72" high - for BIG-55-OS and BIG-140-OS	BIG-750-EXT-72	\$1,264.00
-C	Lid Extension - up to 94" high - for BIG-55-OS and BIG-140-OS	BIG-750-EXT-94	\$1,896.00
-C	Lid Extension - up to 44" high - for BIG-300-OS	BIG-1150-EXT-44 (2 pcs. Incl.)	\$1,264.00
-C	Lid Extension - up to 72" high - for BIG-300-OS	BIG-1150-EXT-72 (2 pcs. Incl.)	\$2,528.00
-C	Lid Extension - up to 94" high - for BIG-300-OS	BIG-1150-EXT-94 (2 pcs. Incl.)	\$3,792.00
-F6	6" no hub outlet	MI-G-PL-PF6 (2 pcs. required)	\$255.00
-FL-C	Membrane clamp kit for BIG-55-OS and BIG-140-OS	BIG-750-PFLM	\$1,040.00
-FL-C	Membrane clamp kit for BIG-300-OS (2 pcs. Included)	BIG-1150-PFLM (2 pcs. Included)	\$2,080.00
-HF	250 GPM flow rate (with 4" connections)	-	No Add
-HLA	High level alarm and float switch (to be installed on site) (for Lil Max, Big Max, SuperMax)	XL-MI-PL-HLA	\$2,700.00
-LHSI	No hub inlet on left hand side (not available with sediment bucket) (for Lil Max, Big Max, SuperMax)	MI-G-PL-PF4	\$73.00
-LHSO	No hub outlet on left hand side (not available with sediment bucket) (for Lil Max, Big Max, SuperMax)	MI-G-PL-PF4	\$73.00
-POK	Remote pump out kit (specify location and number required)	BIG-MAX-POK	\$261.00
-RHSI	No hub inlet on right hand side (not available with sediment bucket) (for Lil Max, Big Max, SuperMax)	MI-G-PL-PF4	\$73.00
-RHSO	No hub outlet on right hand side (not available with sediment bucket) (for Lil Max, Big Max, SuperMax)	MI-G-PL-PF4	\$73.00
-RPO	4" Remote pump outlet connections on top of interceptor - specify location and number required	BIG-MAX-RPO	\$126.00
-SC	One solid cover with 20,000 lbs. Load rating (to meet the requirements of IBC 2012 and ASCE / SEI 7 for direct burial and section 1016.3 of the U.P.C.)	Contact MIFAB	No Add
-SI	No hub side inlet on opposite side of outlet	MI-G-PL-PF4	\$73.00
-SP	External sampling port - inline, high connections	BIG-SP	\$2,115.00
-SP-L	External sampling port - inline, low connections	BIG-SP-L	\$2,115.00
-SP-OF	External sampling port - offset	BIG-SP-OF	\$2,115.00
-T	Female threaded connections (2 pcs. Included)	MI-G-PL-PF4T	\$150.00

CALIFORNIA PROPOSITION 65 WARNING. This product contains chemicals known to the State of California to cause cancer and birth defects or other reproductive harm.

Specification: MIFAB® MIFAB BIG-_____ (specify size) - DECON decontamination tank with _____ (specify liquid holding capacity) U.S. gallons of liquid holding capacity has a limited lifetime warranty and is made in the U.S.A. out of seamless, rotationally molded High Density Polyethylene with 3/8" uniform wall thickness. Decontamination tank is designed for above or below ground installation and includes a direct connect lid system, 4" vent connection, and 4" no hub inlet connection. Steel encased composite lids provide a water / gas tight seal and have a minimum of 20,000 LB. load capacity – in accordance with the loading requirements of AASHTO H20. The high density polyethylene material is PE 3135 from Dow 9.39 with a density of 0.939 g/cm3.

Function: Used with eyewashes and decontamination showers to capture the liquid wastes that can damage the building's drain, waste and vent system. Public sewer or ground / surface waters are required by Chapter 8 of the Uniform Plumbing Code (U.P.C.) and by the International Plumbing Code (I.P.C.) to be pretreated. This is also required by the AIA and ANSI.



Model No.	LIQUID CAP. (Gallons / Cu. Ft.)	B Width	Shipping Weight (Lbs.)	List Price
BIG-55-DECON	55 / 7.19	28.00"	92	\$2,925.00
BIG-140-DECON	140 / 18.30	33.50"	150	\$3,815.00
BIG-300-DECON	300 / 39.21	33.50"	275	\$6,823.00

SUFFIX	OPTIONAL VARIATIONS	PART NO.	LIST PRICE
-AK	Anchor kit (set of two) for BIG-55-DECON	BIG-500-AK-SET	\$768.00
-AK	Anchor kit (set of two) for BIG-140-DECON	BIG-750-AK-SET	\$768.00
-AK	Anchor kit (set of two) for BIG-300-DECON	BIG-1150-AK-SET	\$768.00
-C	Lid Extension - up to 44" high - for BIG-55-DECON and BIG-140-DECON	BIG-750-EXT-44	\$632.00
-C	Lid Extension - up to 72" high - for BIG-55-DECON and BIG-140-DECON	BIG-750-EXT-72	\$1,264.00
-C	Lid Extension - up to 94" high - for BIG-55-DECON and BIG-140-DECON	BIG-750-EXT-94	\$1,896.00
-C	Lid Extension - up to 44" high - for BIG-300-DECON	BIG-1150-EXT-44 (2 pcs. Incl.)	\$1,264.00
-C	Lid Extension - up to 72" high - for BIG-300-DECON	BIG-1150-EXT-72 (2 pcs. Incl.)	\$2,528.00
-C	Lid Extension - up to 94" high - for BIG-300-DECON	BIG-1150-EXT-94 (2 pcs. Incl.)	\$3,792.00
-DI	Ductile iron lid and collar - for BIG-55-DECON	XL-MI-G-0-PL4	\$744.00
-DI	Ductile iron lid and collar - for BIG-140-DECON	XL-MI-G-0-PL4	\$744.00
-DI	Ductile iron lid and collar - for BIG-300-DECON (2 pcs. Included)	XL-MI-G-0-PL4 (2 pcs. Included)	\$1,488.00
-F6	6" no hub inlet and outlet (flow rate of 700 GPM with 6" connections)	MI-G-PL-PF6 (2 pcs. required)	\$255.00
-FL-C	Membrane clamp kit for BIG-55-DECON and BIG-140-DECON	BIG-750-PFLM	\$1,040.00
-FL-C	Membrane clamp kit for BIG-300-DECON (2 pcs. Included)	BIG-1150-PFLM (2 pcs. Included)	\$2,080.00
-HF	250 GPM flow rate (with 4" connections)	-	No Add
-HLA	High level alarm and float switch (to be installed on site) (for Lil Max, Big Max, SuperMax)	XL-MI-PL-HLA	\$2,700.00
-LHSI	No hub inlet on left hand side (not available with sediment bucket) (for Lil Max, Big Max, SuperMax)	MI-G-PL-PF4	\$73.00
-LHSO	No hub outlet on left hand side (not available with sediment bucket) (for Lil Max, Big Max, SuperMax)	MI-G-PL-PF4	\$73.00
-O	Optional 4" no hub outlet connection	MI-G-PL-PF4	\$73.00
-POK	Remote pump out kit (specify location and number required)	BIG-MAX-POK	\$261.00
-RHSI	No hub inlet on right hand side (not available with sediment bucket) (for Lil Max, Big Max, SuperMax)	MI-G-PL-PF4	\$73.00
-RHSO	No hub outlet on right hand side (not available with sediment bucket) (for Lil Max, Big Max, SuperMax)	MI-G-PL-PF4	\$73.00
-RPO	4" Remote pump outlet connections on top of interceptor - specify location and number required	BIG-MAX-RPO	\$126.00
-SP	External sampling port - inline, high connections	BIG-SP	\$2,115.00
-SP-L	External sampling port - inline, low connections	BIG-SP-L	\$2,115.00
-SP-OF	External sampling port - offset	BIG-SP-OF	\$2,115.00
-T	Female threaded connections (2 pcs. Included)	MI-G-PL-PF4T	\$150.00

"MIFAB has shown to be the low cost producer in our market. They have done it with improved technology and ease of product components. We have grown our business from 0 to over \$150,000 in less than three years."

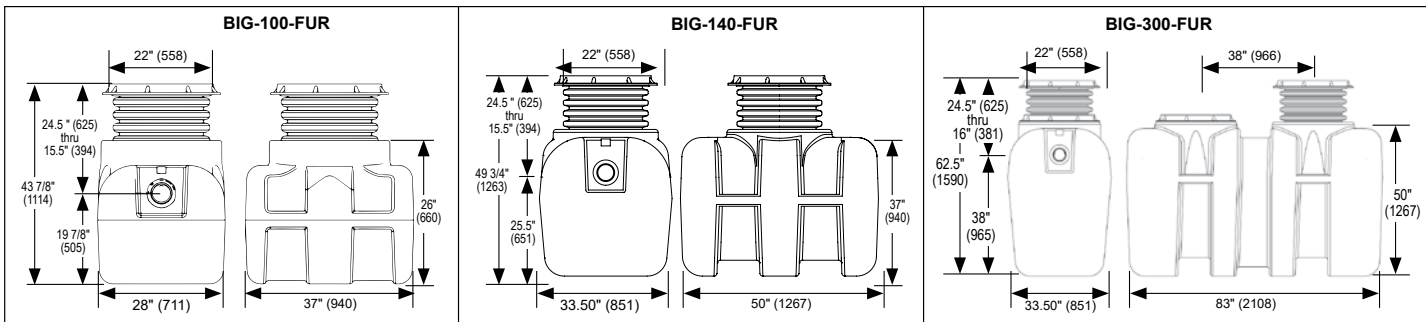
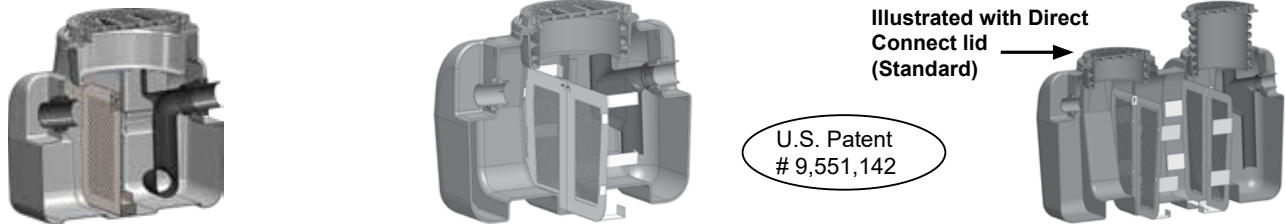
- Dan Patry, President, The Tap of Kansas Plumbing Supply, Wichita, KS

CALIFORNIA PROPOSITION 65 WARNING. This product contains chemicals known to the State of California to cause cancer and birth defects or other reproductive harm.

Design and dimensions are subject to modification. Prices do not include applicable taxes. Visit www.mifab.com for the most recent product information.

Specification: MIFAB® Series BIG ____ FUR rotational molded grease interceptor with flow rating of ____ (indicate) and liquid holding capacity of ____ (indicate). Unit shall include: dual strainer baffles with 3/8" Dia. holes, 1/2" apart, deep seal trap covered by lid, adjustable lid system, sample port access and 4" no hub inlet and outlet connections. Steel encased composite lid provides a water / gas tight seal and has a minimum of 20,000 lbs. load capacity. The lid is designed in accordance with the loading requirements of AASHTO H20.

Function: Used in pet facilities that discharge a lot of hair into the waste water. The fur interceptor will filter out fur from the fixture waste line before entering the pipe system to reduce clogging and improve performance. Typically installed either on or into the floor. Narrow width permits access through doorways and down stairwells. High Density Polyethylene construction ensures a lightweight installation process (two people can move and install it). Regular maintenance is required to keep the interceptor functioning. All Big Max interceptors can withstand a temperature of up to and including 180 degrees Fahrenheit.



Model No.	Flow Rate (GPM)	Grease Design Capacity	Liquid Holding Capacity (Gallons / Cu. Ft.)	Sediment Capacity (Gallons)	B Width	Shipping Weight (Lbs.)	List Price
BIG-100-FUR	50	250 Lbs. (35 Gallons)	55 / 7.19	28	28.00"	92	\$4,285.00
BIG-140-FUR	75	501 Lbs. (70 Gallons)	140 / 18.6	42	33.50"	150	\$4,934.00
BIG-300-FUR	100	1,556 Lbs. (218 Gallons)	300 / 40	115	33.50"	275	\$7,802.00

SUFFIX	OPTIONAL VARIATIONS	PART NO.	LIST PRICE
-AK	Anchor kit (set of two) for BIG-100-FUR	BIG-500-AK-SET	\$768.00
-AK	Anchor kit (set of two) for BIG-140-FUR	BIG-750-AK-SET	\$768.00
-AK	Anchor kit (set of two) for BIG-300-FUR	BIG-1150-AK-SET	\$768.00
-C	Lid Extension - up to 44" high - for BIG-100-FUR and BIG-140-FUR	BIG-750-EXT-44	\$632.00
-C	Lid Extension - up to 72" high - for BIG-100-FUR and BIG-140-FUR	BIG-750-EXT-72	\$1,264.00
-C	Lid Extension - up to 94" high - for BIG-100-FUR and BIG-140-FUR	BIG-750-EXT-94	\$1,896.00
-C	Lid Extension - up to 44" high - for BIG-300-FUR	BIG-1150-EXT-44 (2 pcs. Incl.)	\$1,264.00
-C	Lid Extension - up to 72" high - for BIG-300-FUR	BIG-1150-EXT-72 (2 pcs. Incl.)	\$2,528.00
-C	Lid Extension - up to 94" high - for BIG-300-FUR	BIG-1150-EXT-94 (2 pcs. Incl.)	\$3,792.00
-DI	Ductile iron lid and collar - for BIG-100-FUR	XL-MI-G-0-PL4	\$744.00
-DI	Ductile iron lid and collar - for BIG-140-FUR	XL-MI-G-0-PL4	\$744.00
-DI	Ductile iron lid and collar - for BIG-300-FUR (2 pcs. Included)	XL-MI-G-0-PL4 (2 pcs. Included)	\$1,488.00
-F6	6" no hub inlet and outlet (flow rate of 700 GPM with 6" connections)	MI-G-PL-PF6 (2 pcs. required)	\$255.00
-FL-C	Membrane clamp kit for BIG-100-FUR and BIG-140-FUR	BIG-750-PFLM	\$1,040.00
-FL-C	Membrane clamp kit for BIG-300-FUR (2 pcs. Included)	BIG-1150-PFLM (2 pcs. Included)	\$2,080.00
-HF	250 GPM flow rate (with 4" connections)	-	No Add
-LHSI	No hub inlet on left hand side (not available with sediment bucket) (for Lil Max, Big Max, SuperMax)	MI-G-PL-PF4	\$73.00
-LHSO	No hub outlet on left hand side (not available with sediment bucket) (for Lil Max, Big Max, SuperMax)	MI-G-PL-PF4	\$73.00
-POK	Remote pump out kit (specify location and number required)	BIG-MAX-POK	\$261.00
-RHSI	No hub inlet on right hand side (not available with sediment bucket) (for Lil Max, Big Max, SuperMax)	MI-G-PL-PF4	\$73.00
-RHSO	No hub outlet on right hand side (not available with sediment bucket) (for Lil Max, Big Max, SuperMax)	MI-G-PL-PF4	\$73.00
-RPO	4" Remote pump outlet connections on top of interceptor - specify location and number required	BIG-MAX-RPO	\$126.00
-SP	External sampling port - inline, high connections	BIG-SP	\$2,115.00
-SP-L	External sampling port - inline, low connections	BIG-SP-L	\$2,115.00
-SP-OF	External sampling port - offset	BIG-SP-OF	\$2,115.00
-T	Female threaded connections (2 pcs. Included)	MI-G-PL-PF4T	\$150.00

CALIFORNIA PROPOSITION 65 WARNING. This product contains chemicals known to the State of California to cause cancer and birth defects or other reproductive harm.

Extensions: Extensions are typically required when the interceptor is buried into the ground and the inlet is lowered to meet the waste piping from the fixtures. In such a case, the lid needs to be “extended” up to the ground or grade level. With MIFAB®’s patented extension system every lid ships with an 18” x 18” piece of ADS corrugated pipe which provides the installer with up to a 24 1/2” “C” dimension. If a greater “C” dimension is required, the contractor has the option to purchase an extension from MIFAB® or to buy a length of ADS pipe from their local waterworks wholesaler in order to complete the installation immediately.

This also means that the cost of the MIFAB® extension (when ordered from a local waterworks wholesaler will be significantly less expensive that buying the same height extension system from others). In addition, extensions from others are only available from that specific manufacturer – resulting in delays and time for production and shipment to the contractor. Flexible extensions make for easier installation where grade may be unlevel.



BIG-1150 illustrated with the -C extension



ADS pipe gasket illustrated. It is provided as standard with every piece of 18” diameter ADS pipe.

MIFAB® part # DWCP18-PG for the Big Max gasket (ADS part # 1859AG) and part # DWCP24-PG for the SuperMax gasket (ADS part# 2459AG). The ADS part # for their 18” corrugated pipe is 18N12) the part # for their 24” corrugated pipe is 24N12).

The gasket is assembled onto the ADS pipe - into one of the open grooves at the end of the pipe. The end of the pipe with the gasket is pressed into the top opening of the interceptor.

CALIFORNIA PROPOSITION 65 WARNING. This product contains chemicals known to the State of California to cause cancer and birth defects or other reproductive harm.

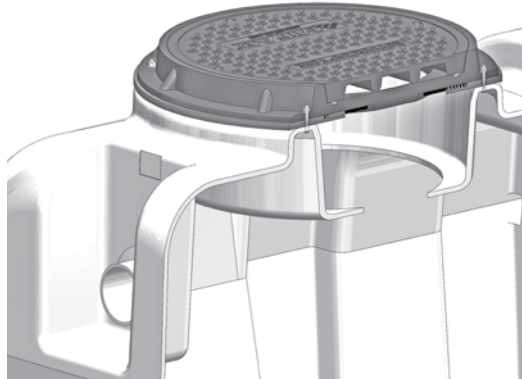
Design and dimensions are subject to modification. Prices do not include applicable taxes. Visit www.mifab.com for the most recent product information.

MIFAB®, Inc., 1321 West 119th Street, Chicago, Illinois 60643-5109, USA
All sales subject to MIFAB’s® Terms and Conditions. Please refer to Page 106.

USA Toll Free: 1-800-465-2736 • Fax: 1-773-341-3049
Canada Toll Free: 1-800-387-3880 • sales@mifab.com

DIRECT CONNECT LID - STANDARD

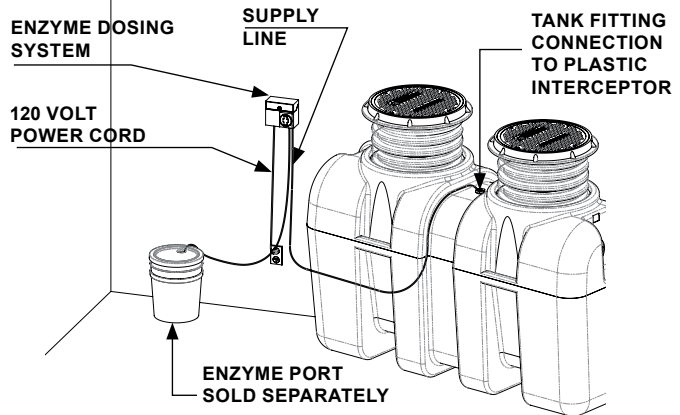
MIFAB's Big Max interceptors are shipped standard with the direct connect lid system. The lid is bolted directly to the top of the Big Max®. A gasket is supplied to install between the top of the interceptor and the underside of the lid. The direct connect gasket (part # BIG-PCG) and hardware (part # HS-25) are shipped standard with every Big Max interceptor (two of each for the large (two lid) Big Max and one of each for the one lid Big Max).



ENZYME DOSING PUMP SYSTEM – SUFFIX -DS

The purpose of the enzyme dosing pump is to release grease and bacteria eating enzymes into the grease interceptor to consume the accumulated grease. The enzyme dosing pump can be ordered with any MIFAB grease interceptor. It is ideal for grease interceptors that are located in high volume kitchens.

The enzyme dosing pump system includes a 120 volt automatic dosing pump with a programmable 24 hour timer and dosage run time. The system also includes 15' of poly tubing.

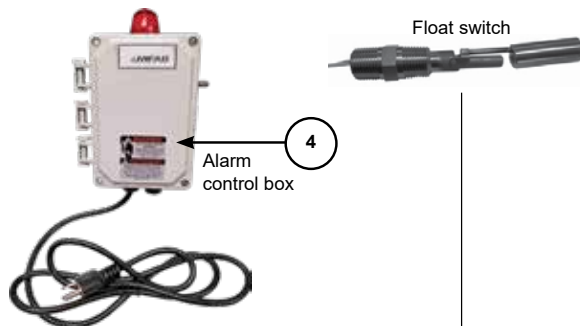


HIGH LEVEL ALARM

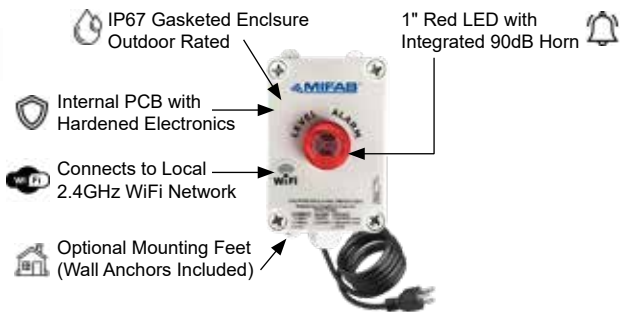
The purpose of the High Level Alarm is to monitor and send an audible and visual alarm when the interceptor's grease or oil capacity is approximately 75% full. (Specify suffix -HLA)

High level alarm systems can be installed on any MIFAB® grease or oil interceptors to allow the owner to monitor grease and oil levels. This permits the interceptor to be maintained when required.

The -HLA option includes an alarm control box that is weatherproof rated NEMA 4/4X, 6' 120VAC Power Cord, 360° viewable alarm light, 85 dB @ 10' solid tone alarm and a silence and test button that is to be mounted to the nearest structure. It also includes a float switch that is mounted inside the interceptor for oil or grease level detection and is connected to the alarm control box. Note that the alarm control box and float switch are not installed at the MIFAB factory. They need to be installed on site.



High Level Alarm Illustrated (Specify suffix -HLA)



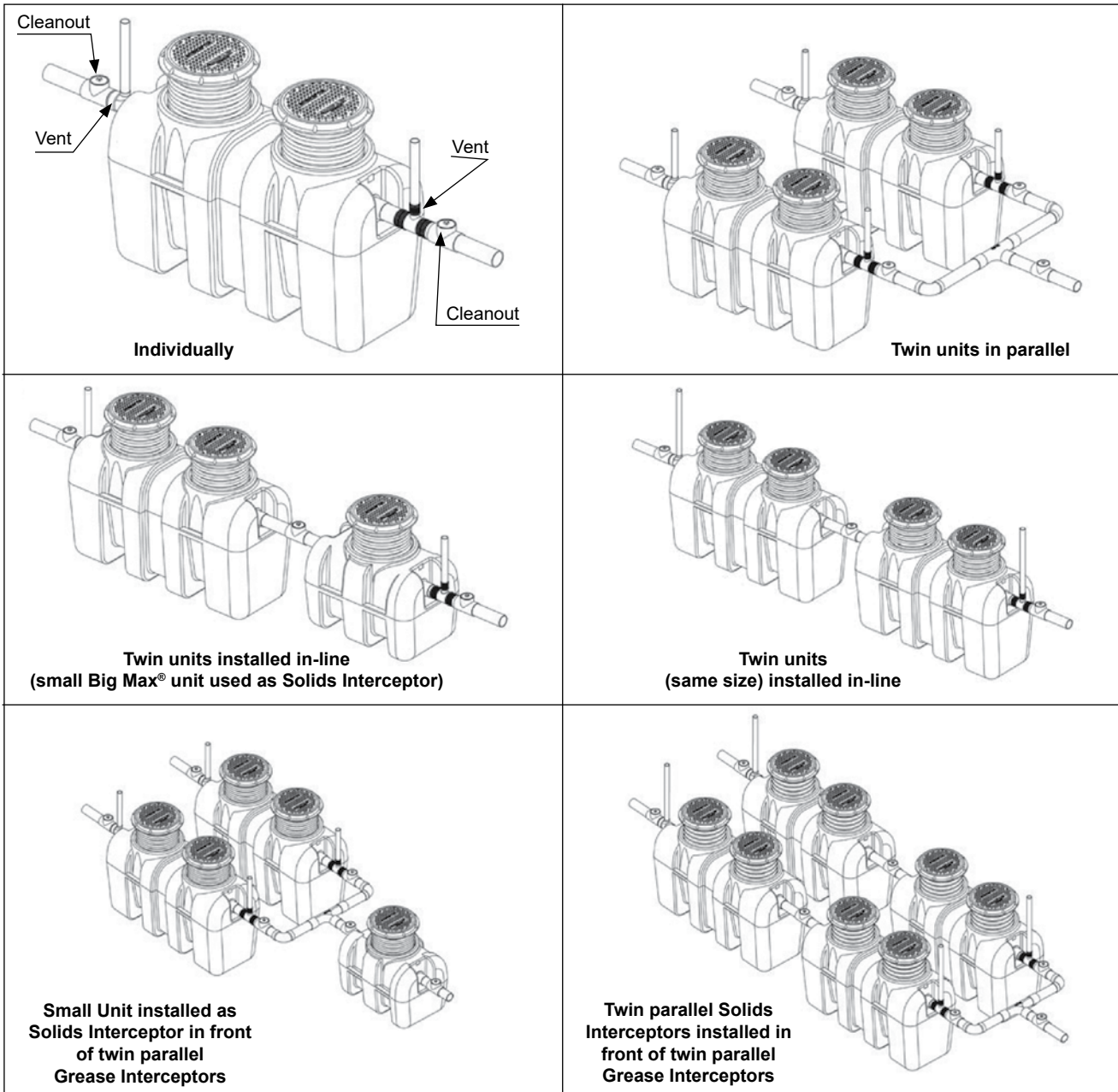
Wifi capability is available with the -HLA. Go to the www.mifab.com website for wifi set up procedures. (Specify suffix -HLA-wifi)

CALIFORNIA PROPOSITION 65 WARNING. This product contains chemicals known to the State of California to cause cancer and birth defects or other reproductive harm.

Big Max® Interceptors may be used in any number of different combinations to properly service the application.

“The MIFAB BIG-1150 HDPE interceptor that we installed at the auto body shop was a very good product that was easy to install and saved us time and money. This product was easy to install because of the size and weight that we were able to use in comparison to other products that were specified. The size also helped save money on the amount of fill that was used to backfill and compact around the product. It was easily able to maneuver into the perfect position. We were also able to easily set it at any depth then cut the risers in the field to the correct finished grade. This product was easy for two men to set and make all connections and finish. This saved time and money and will be using this product in the future.”

– Eric Curtis, Project Manager, Mid-Cities Plumbing & Heating Inc., Castle Rock, CO



* Please see MIFAB® Website for other combinations

CALIFORNIA PROPOSITION 65 WARNING. This product contains chemicals known to the State of California to cause cancer and birth defects or other reproductive harm.

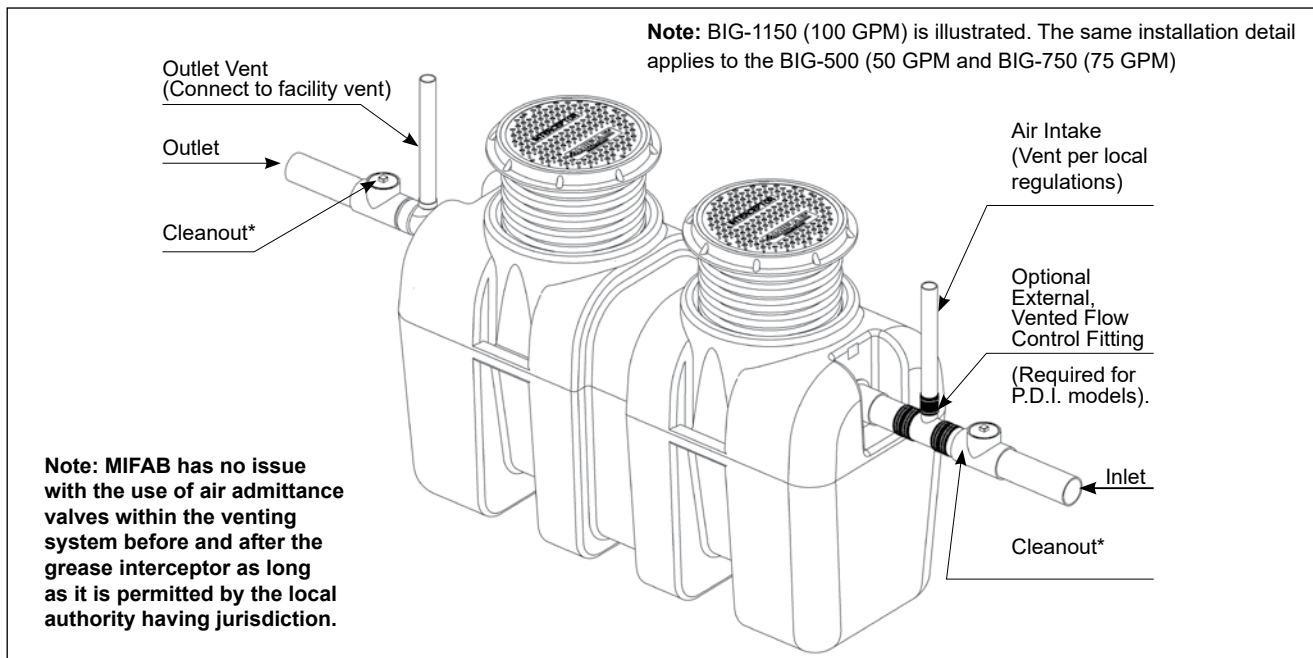
Design and dimensions are subject to modification. Prices do not include applicable taxes. Visit www.mifab.com for the most recent product information.

MIFAB®, Inc., 1321 West 119th Street, Chicago, Illinois 60643-5109, USA
All sales subject to MIFAB's® Terms and Conditions. Please refer to Page 106.

USA Toll Free: 1-800-465-2736 • Fax: 1-773-341-3049
Canada Toll Free: 1-800-387-3880 • sales@mifab.com

Venting of the Big Max® interceptor is recommended by MIFAB® and required for indoor installations.

- Vent the Big Max® grease interceptor on the inlet side. It is also recommended to vent the outlet side of the Big Max® grease interceptor right after the outlet. Big Max® solids interceptors do not require the use of an external, vented flow control fitting and should be vented off the inlet and outlet connections.



INTERCEPTOR PLACEMENT

The interceptor should be visible and easily accessible for maintenance and inspection. The Big Max® can be installed in a basement, suspended from a ceiling (with a solid steel plate underneath the entire length and width of the interceptor) or in-ground in an exterior location. Ensure that adequate room is provided around the interceptor to allow easy access for a pump truck operator. Ensure that the height above the Big Max® access cover is enough to properly service the interceptor.

INLET/OUTLET PIPING

The inlet and outlet piping connections require no hub pipe couplings. (See MIFAB®'s MI-HUB Series of no hub couplings). Keep outlet piping as straight as possible. MIFAB® recommends installation of 4" (102 mm) cleanouts on both the Inlet and Outlet of 4" Big Max® Interceptors and Solids Interceptors in accordance with all applicable laws, regulations and codes. Use only "sweep" connections. Do not reduce the pipe sizing on the outlet piping. Do not install a "P" trap on the outlet connection of system. (Note: The system already has an internal gas trap).

FLOW CONTROLS

Big Max® interceptors are supplied with a stainless steel calibrated orifice plate (internal flow control). An external, vented, flow control fitting is required to be installed before the inlet of the grease interceptor to meet the P.D.I. G-101 Standard.

VENTING THE OUTLET

An outlet vent or approved air admittance valve of at least 1/2 the diameter of the interceptor's outlet connection must be installed as close as possible to the Big Max® outlet to prevent possible siphonage problems. The vent on the outlet piping is to be installed in accordance with all applicable laws, regulations and codes.

RECOMMENDED EXCAVATION, BACKFILLING, AND FINISHING FOR BIG MAX® INTERCEPTORS

- Install the interceptor(s) as close as practical to the fixtures being served.
- The excavation must be a minimum of 12" greater on all sides of the tank.
- The depth of the excavation must be greater than 6" on the bottom of the interceptor.
- Fill the interceptor with water prior to backfilling in order to prevent the interceptor from floating.
- Fully install the double wall corrugated pipe and lid prior to backfilling.
- Concrete or finishing material requirements is to be determined by the specifying engineer.
- Encase the interceptor in well-packed ¾" rock, or sand. Do not compact backfill around interceptor.
- To prevent float out; the Anchor kit is recommended for installations in high water table conditions. This is to be determined by the specifying engineer.

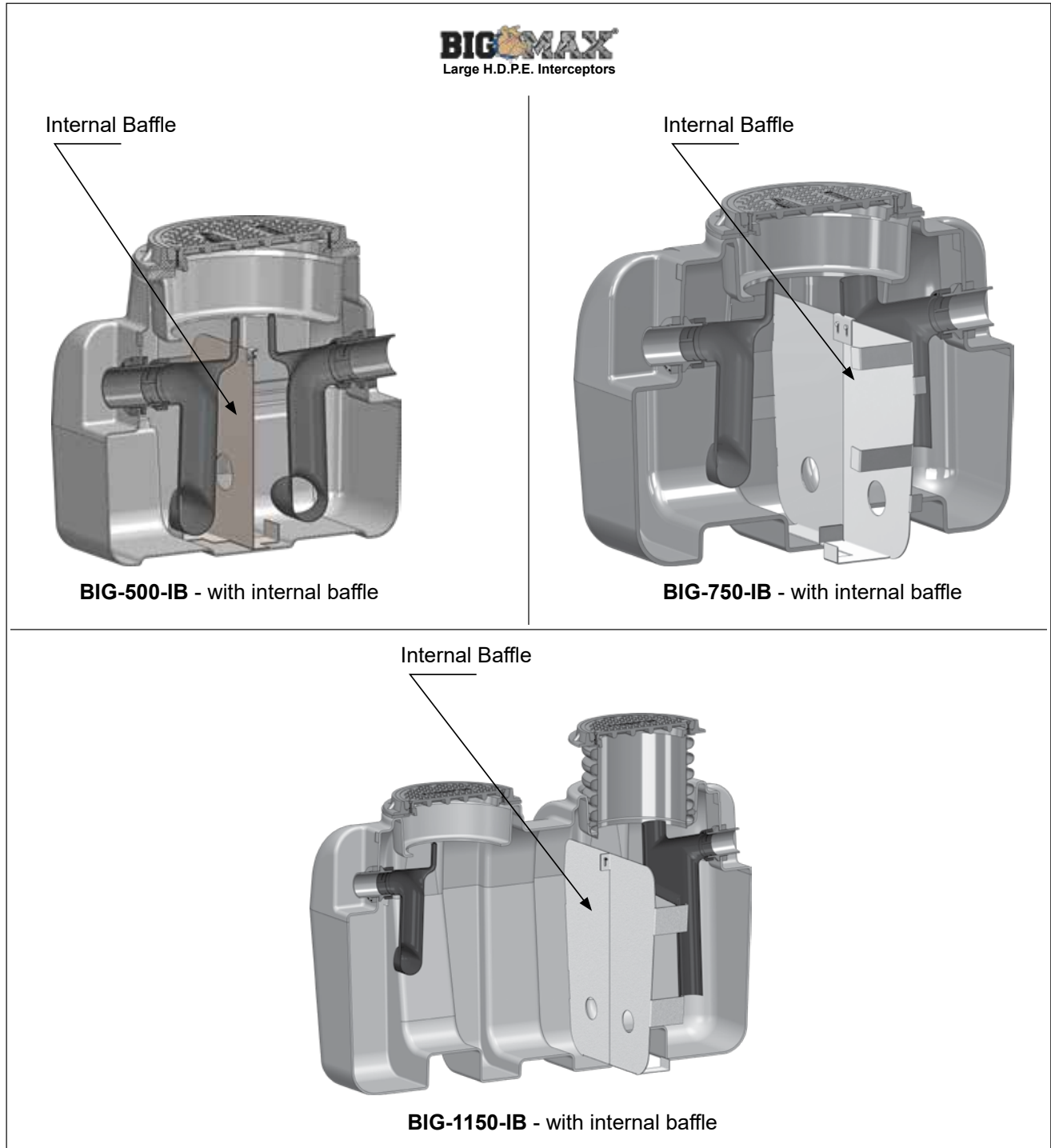
Note: Drawings are for reference only. Equipment must be installed in compliance with all applicable laws, regulations and codes, including plumbing codes. Installation should be done by a licensed plumber.

CALIFORNIA PROPOSITION 65 WARNING. This product contains chemicals known to the State of California to cause cancer and birth defects or other reproductive harm.

Design and dimensions are subject to modification. Prices do not include applicable taxes. Visit www.mifab.com for the most recent product information.

BIG MAX® GREASE INTERCEPTORS WITH INTERNAL BAFFLE

Some authorities and jurisdictions require the use of an internal baffle within the grease interceptor. MIFAB® offer this option (Suffix -IB) for the BIG-750 and BIG-1150 grease interceptors. The internal baffle is shipped separate from the interceptor and needs to be installed on site.



“Using the generic corrugated ADS pipe for risers on the MIFAB poly interceptors is cost effective and easy to install.”

– Greg Pruitt, Owner, George Pruitt Plumbing, Spartanburg, SC

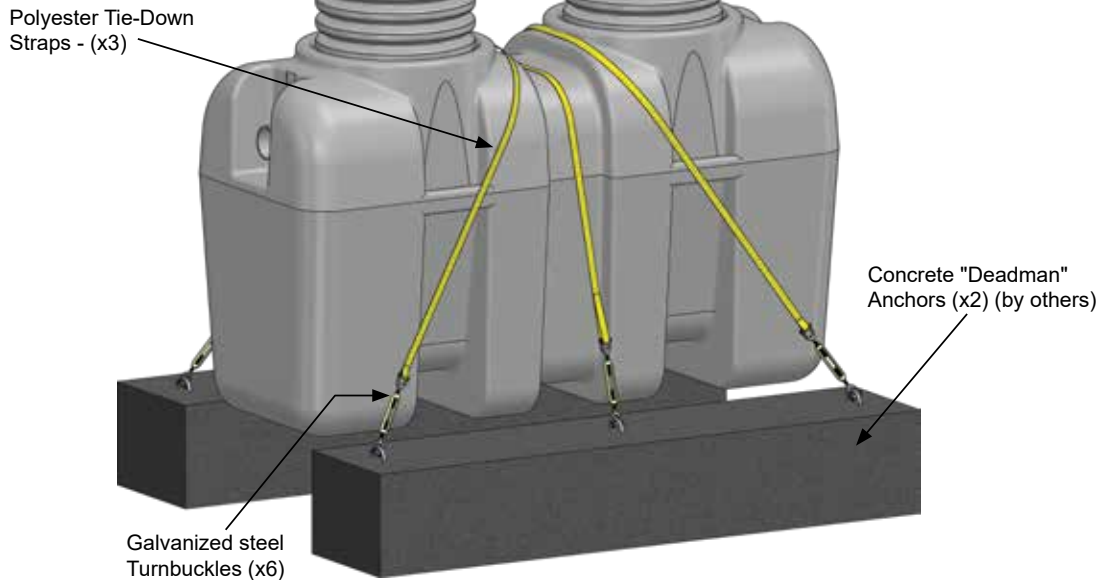
CALIFORNIA PROPOSITION 65 WARNING. This product contains chemicals known to the State of California to cause cancer and birth defects or other reproductive harm.

Design and dimensions are subject to modification. Prices do not include applicable taxes. Visit www.mifab.com for the most recent product information.

BIG MAX
Large H.D.P.E. Interceptors

BIG-1150-AK-SET-2

List Price of \$768.00

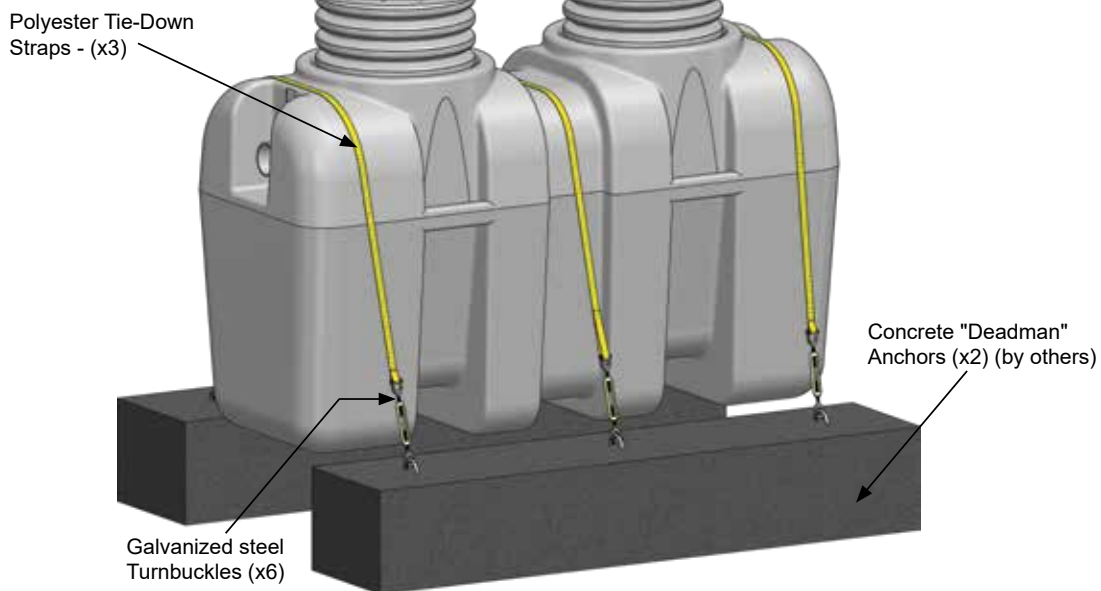


The BIG-1150-AK-SET-2 is used when greater hold down strength is required. The polyester tie-down straps and turnbuckles are rated at 2,200 lbs. working load each.

BIG MAX
Large H.D.P.E. Interceptors

BIG-1150-AK-SET-3

List Price of \$768.00



The BIG-1150-AK-SET-3 is used when greater hold down strength is required. The polyester tie-down straps are rated at 4,000 lbs. working load each and the turnbuckles are rated at 5,200 lbs. each.

CALIFORNIA PROPOSITION 65 WARNING. This product contains chemicals known to the State of California to cause cancer and birth defects or other reproductive harm.

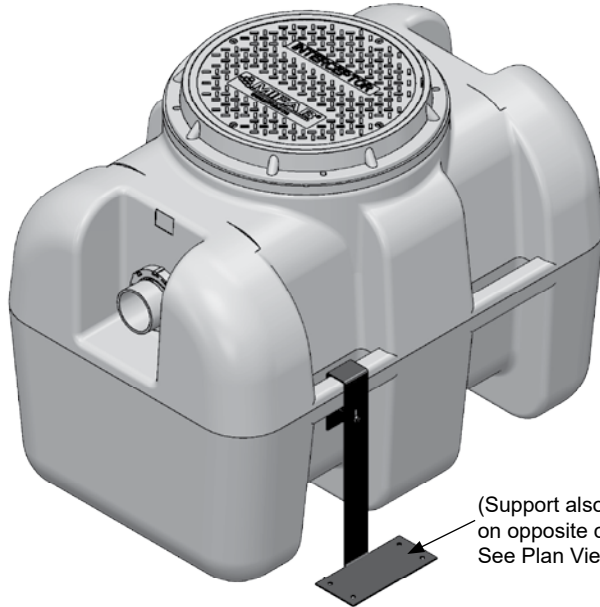
Design and dimensions are subject to modification. Prices do not include applicable taxes. Visit www.mifab.com for the most recent product information.

ANCHOR KIT

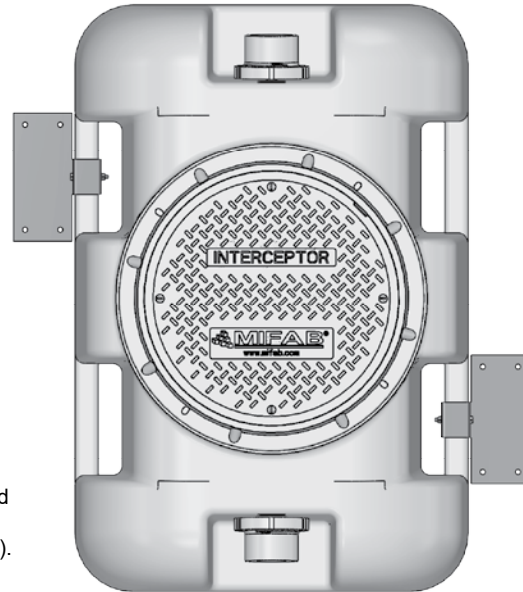
The Anchor Kit is used to secure the interceptor to a slab or to prevent buoyancy in a high water table. (Suffix -AK). The 500 comes with a set of 2 Anchors at 20", the 750 comes with a set of 2 Anchors at 25" and the 1150 comes with a set of 2 Anchor at 33". (Suffix -AK)

BIG MAX
Large H.D.P.E. Interceptors

BIG-750-AK-SET
ILLUSTRATED



PLAN VIEW

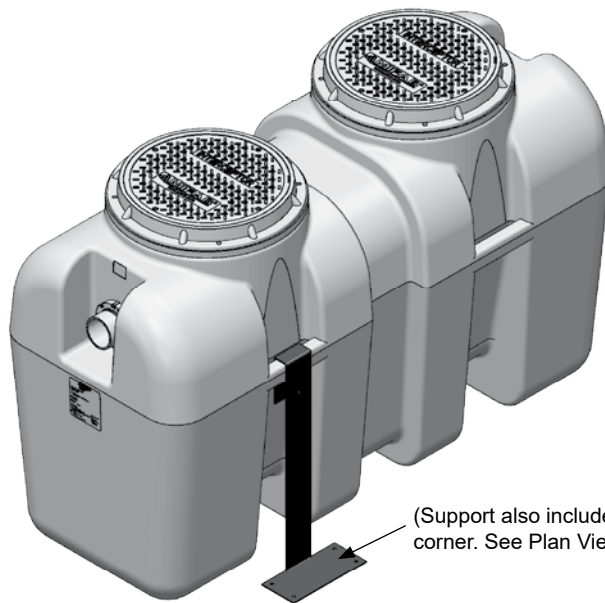


Note: All of the anchor kits offered on this page are available for any size and model of Big Max interceptor. Contact MIFAB for model numbers and pricing.

Note: This style of anchor set is offered in the Optional Variations section on pages 50 - 60.

BIG MAX
Large H.D.P.E. Interceptors

BIG-1150-AK-SET
ILLUSTRATED



PLAN VIEW



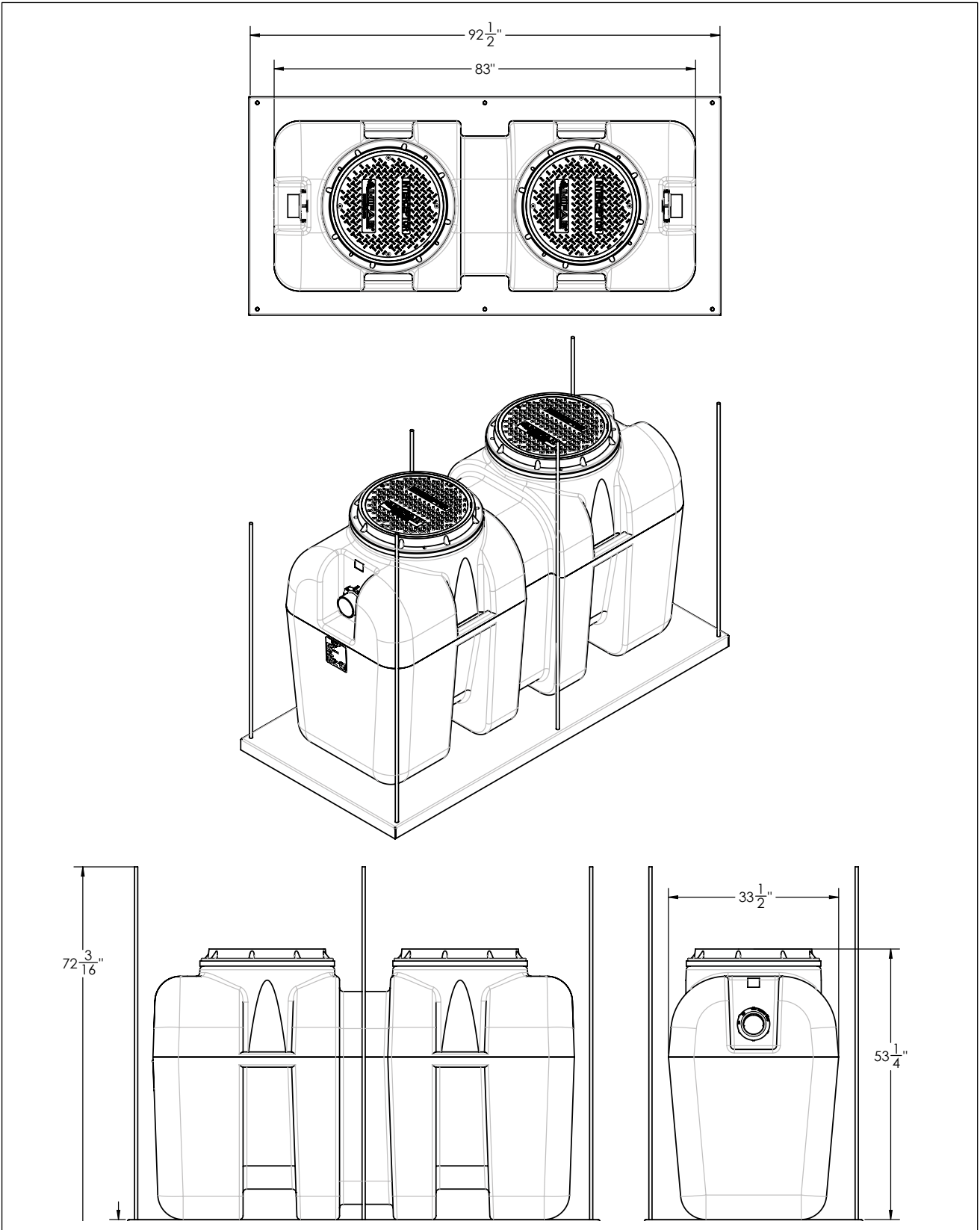
CALIFORNIA PROPOSITION 65 WARNING. This product contains chemicals known to the State of California to cause cancer and birth defects or other reproductive harm.

Design and dimensions are subject to modification. Prices do not include applicable taxes. Visit www.mifab.com for the most recent product information.

MIFAB®, Inc., 1321 West 119th Street, Chicago, Illinois 60643-5109, USA
All sales subject to MIFAB's® Terms and Conditions. Please refer to Page 106.

USA Toll Free: 1-800-465-2736 • Fax: 1-773-341-3049
Canada Toll Free: 1-800-387-3880 • sales@mifab.com

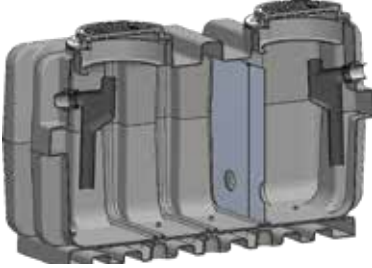
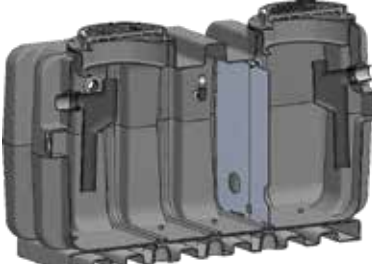
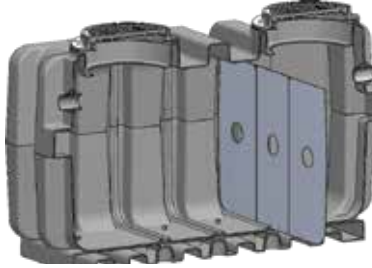
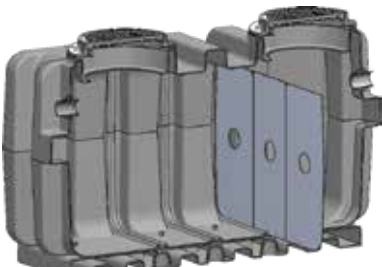

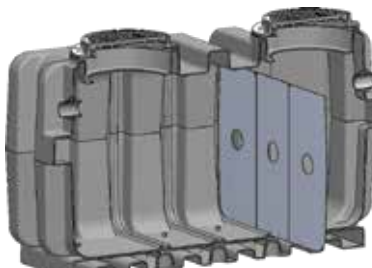
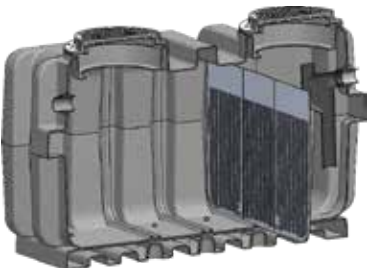

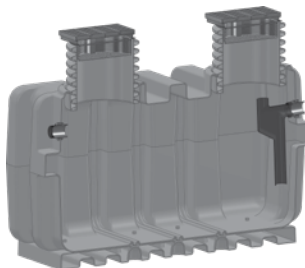
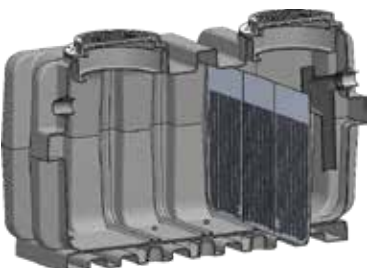
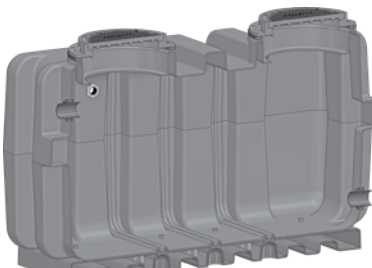
BIG-1150 ON HANGING PLATFORM



CALIFORNIA PROPOSITION 65 WARNING. This product contains chemicals known to the State of California to cause cancer and birth defects or other reproductive harm.



500, 750, 1000, 1250, 1300, 1500 and 2000 GALLONS

 <p>GREASE (pages 70)</p>	 <p>OIL (pages 80)</p>	 <p>SOLIDS (page 79)</p>
 <p>PLASTER (page 71)</p>	 <p>LINT (page 72)</p>	 <p>SAND (page 73)</p>
 <p>FISH SCALE (page 74)</p>	 <p>RICE (page 75)</p>	 <p>OIL/SEDIMENT (page 77)</p>
 <p>FUR (page 76)</p>	 <p>DECONTAMINATION (page 78)</p>	

CALIFORNIA PROPOSITION 65 WARNING. This product contains chemicals known to the State of California to cause cancer and birth defects or other reproductive harm.

Design and dimensions are subject to modification. Prices do not include applicable taxes. Visit www.mifab.com for the most recent product information.

MIFAB[®], Inc., 1321 West 119th Street, Chicago, Illinois 60643-5109, USA
All sales subject to MIFAB's[®] Terms and Conditions. Please refer to Page 106.

USA Toll Free: 1-800-465-2736 • Fax: 1-773-341-3049
Canada Toll Free: 1-800-387-3880 • sales@mifab.com

Since 1982, MIFAB® has been manufacturing grease interceptors. Forty years of experience and customer feedback has given us an advantage when it comes to designing and manufacturing the best steel and stainless steel grease interceptors in the market. We have applied this experience to our new range of large, H.D.P.E., patented grease interceptors. We invite you to experience the MIFAB® difference – best in class when it comes to H.D.P.E. grease interceptors. The SUPERMAX® Series of gravity grease interceptors are also available as oil interceptors.

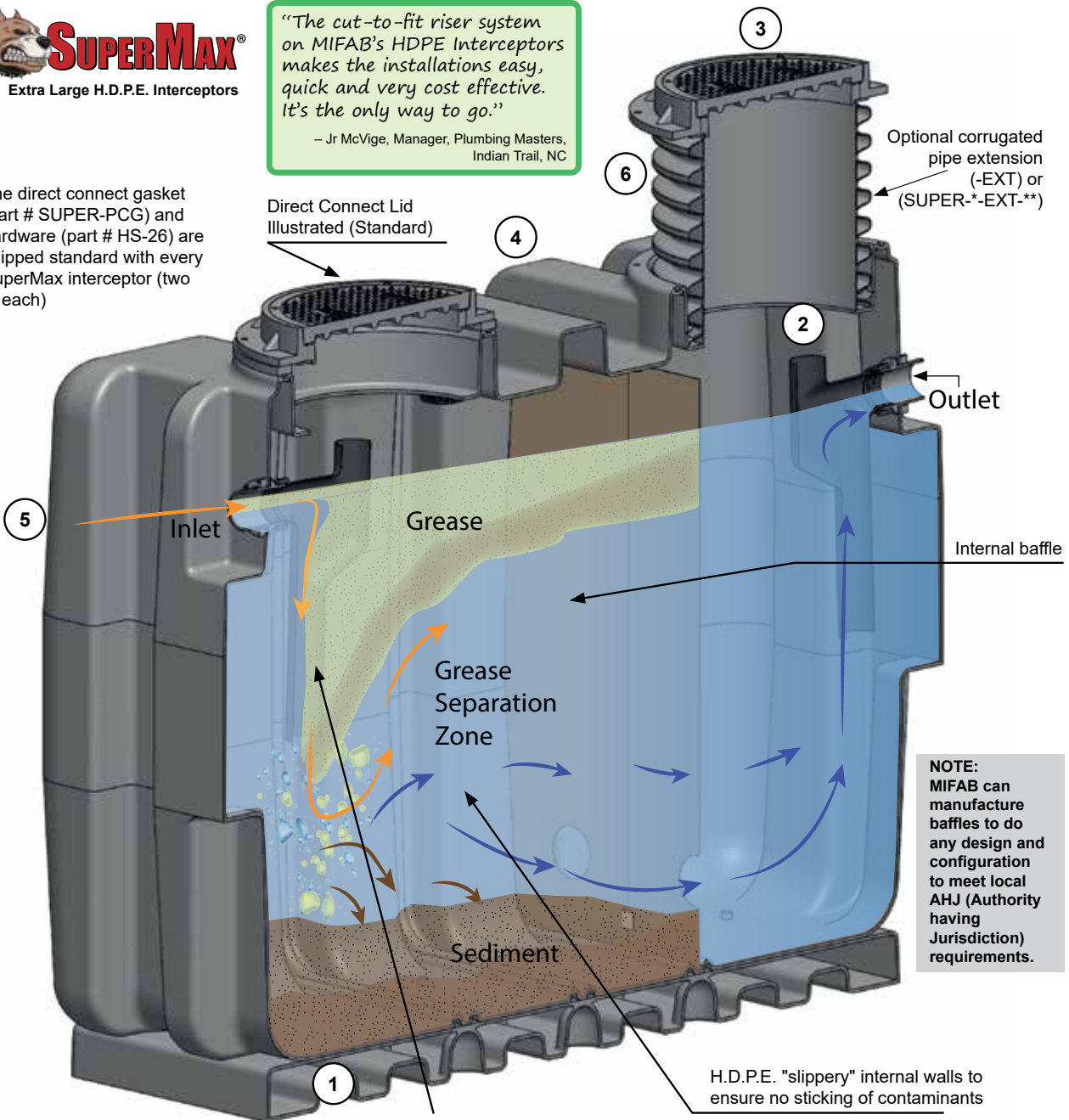


"The cut-to-fit riser system on MIFAB's HDPE Interceptors makes the installations easy, quick and very cost effective. It's the only way to go."

– Jr McVige, Manager, Plumbing Masters, Indian Trail, NC

The direct connect gasket (part # SUPER-PCG) and hardware (part # HS-26) are shipped standard with every SuperMax interceptor (two of each)

Direct Connect Lid Illustrated (Standard)



NOTE:
MIFAB can manufacture baffles to do any design and configuration to meet local AHJ (Authority having Jurisdiction) requirements.

H.D.P.E. "slippery" internal walls to ensure no sticking of contaminants

MIFAB®'s 40 years of manufacturing interceptors has provided us with a wealth of experience and knowledge on the factors that impact their performance. Our new and innovative Enviro-Flow® inlet and outlet design significantly reduces inlet velocity and creates optimal laminar flow to ensure maximum grease separation efficiency. Flow entering the MIFAB® interceptor is directed to the bottom by the inlet baffle to avoid any disturbance of the previously accumulated surface layer of grease / oil in the interceptor. The innovative design of the bottom of the inlet baffle directs the incoming waste water sideways into the interceptor for the most efficient laminar flow. The baffle also serves to reduce the velocity and surge of inflow, providing sufficient retention time for effective separation of the grease. The grease rises to the surface for manual or pump out removal and the baffle is easy to remove for cleaning. The waste water is now relieved of over 90% of the fats, oils, and greases and continues to flow through the interceptor.

CALIFORNIA PROPOSITION 65 WARNING. This product contains chemicals known to the State of California to cause cancer and birth defects or other reproductive harm.

1. Base for Body

A base is always included with the SUPERMAX® gravity interceptors. This is an expensive option from others. The base provides a flat surface so that the interceptor can easily be installed above ground in applications like parking lot spaces. The base is 6" high and is always secured to the underside of the interceptor.

2. Sample Port Access

Sample port access is provided standard in our interceptors. Simply remove the lid to gain access to the top opening of the internal inlet and outlet piping. A sample of the water discharging from the interceptor can be taken from the top opening of the outlet piping (deep seal trap).

3. H-20 Load Rated Lid

Standard, 20,000 Lb. AASHTO H-20 load rated steel encased composite, gasketed lids and collar are standard to withstand heavy loads

4. Structural Integrity

Ribbed body design provides extra structural integrity for in ground installations. The body is manufactured in the USA out of seamless, rotationally molded High Density Polyethylene with a 3/8" uniform wall thickness. The body is strong but lightweight, allowing it to be installed without the need of a backhoe or crane. All SuperMax gravity interceptors can withstand a temperature of up to and including 180 degrees Fahrenheit.

5. H.D.P.E. Material

MIFAB®'s SUPERMAX® gravity grease and oil interceptors are made with 3/8" thick rotationally molded H.D.P.E. material. H.D.P.E. is less brittle than fiberglass and less likely to crack during installation. The ribbed body design provides for extra rigidity and is less likely to crack or break when installed underground and subject to earth pressures. H.D.P.E. has resistance to a greater amount of chemicals vs. fiberglass. Fiberglass is also hard and stiff and is subject to cracking. A rotationally molded H.D.P.E. interceptor, is simply tougher and has much greater impact resistance vs. fiberglass.

Fiberglass interceptors have a negative environmental impact because they are made with VOC's - (Volatile Organic Compounds). Facilities that produce fiberglass interceptors have a negative impact on the environment because of VOCs they put into the air. Rotationally molded H.D.P.E. interceptors have NO environmental impact.

6. Extensions

With MIFAB®'s patented extension system, the contractor has the option to purchase an extension from MIFAB® or to buy a length of ADS pipe from their local waterworks wholesaler in order to complete the installation immediately. This also means that the cost of the MIFAB® extension (when ordered from a local waterworks wholesaler will be significantly less expensive that buying the same height extension system from others). In addition, extensions from others are only available from that specific manufacturer – resulting in delays and time for production and shipment to the contractor. Flexible extensions make for easier installation where grade may be unlevel.



Key Feature

Approvals

MIFAB®'s SUPERMAX® gravity grease interceptors are tested and certified to the ANSI Z1001-2016, ASME A112.14.3, CSA B481 Standards and listed with IAPMO. The SUPER-500 is also tested and certified to the P.D.I. G-101 Standard.


Options and Accessories

MIFAB®'s 40 years of experience with grease interceptors provides us with a superior knowledge of options and accessories often required with grease interceptors. We can expertly provide any of the following options: dosing pump, enzyme port, high level alarm, anchor kit, remote pump out, multiple inlet and outlet ports, sediment bucket, coalescing pack and, threaded connections.

Lifetime Warranty. Made in the USA

MIFAB® offers a limited lifetime warranty on all of our plastic grease and oil interceptors. MIFAB®'s plastic grease and oil interceptors are made in the United States of America and meet the requirements of the Buy American Act.

Multiple Inlet/Outlet Options

MIFAB®'s interceptors are manufactured with flat spaces on each side for two optional side inlets or outlets on both sides of the interceptor. This allows for straight through or side inlet/outlet pipe connections. (Specify required suffix for desired optional inlet/outlet.)

CALIFORNIA PROPOSITION 65 WARNING. This product contains chemicals known to the State of California to cause cancer and birth defects or other reproductive harm.

Design and dimensions are subject to modification. Prices do not include applicable taxes. Visit www.mifab.com for the most recent product information.

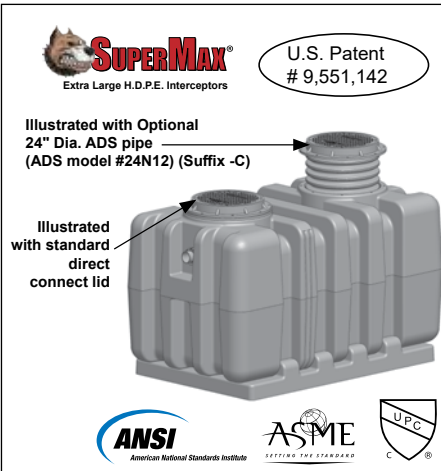
MIFAB®, Inc., 1321 West 119th Street, Chicago, Illinois 60643-5109, USA

All sales subject to MIFAB's® Terms and Conditions. Please refer to Page 106.

USA Toll Free: 1-800-465-2736 • Fax: 1-773-341-3049
Canada Toll Free: 1-800-387-3880 • sales@mifab.com

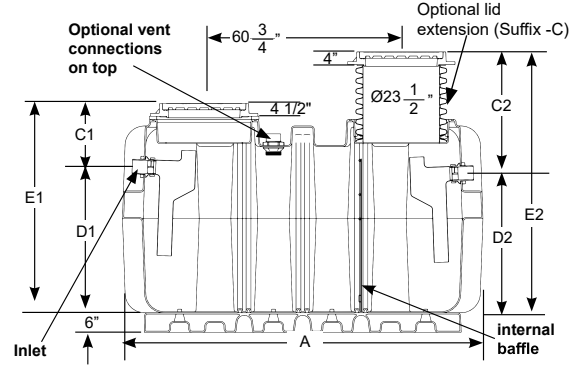
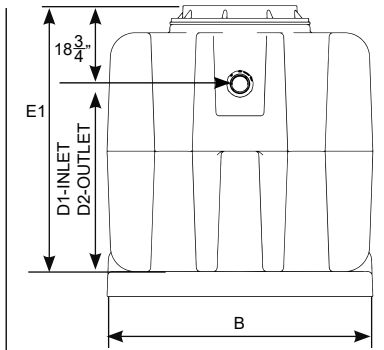
Specification: MIFAB® SUPER-(specify size) gravity grease interceptor with liquid holding capacity of _____ (indicate), limited lifetime warranty and is made in the U.S.A. out of seamless, rotationally molded High Density Polyethylene with 3/8" uniform wall thickness. Interceptor is designed for above or below ground installation and includes extension pipe gasket for ADS 24N12 (pipe not included) for the adjustable lid system, sample port access, internal baffle, deep seal trap covered by lid, internal air relief by-pass, stainless steel calibrated orifice plate (internal flow control), base for support and floor level installation and 4" no hub inlet and outlet connections. Steel encased composite lids provide a water / gas tight seal and have a minimum of 20,000 LB. load capacity - in accordance with the loading requirements of AASHTO H20. The high density polyethylene material is PE 3135 from Dow 9.39 with a density of 0.939 g/cm3. Note that the interceptor is tested and certified to the ASME A112.14.3, CSA B481 and ANSI Z1001 Standards and listed with I.A.P.M.O. The -PDI model is tested and certified to the PDI G-101 Standard, 100 GPM flow rate.

Function: Used in restaurants, kitchens, institutions, industrial facilities such as food processing and packaging plants and other types of food processing areas where fat, oil and grease (FOG) drains with the waste water. All SuperMax gravity interceptors can withstand a temperature of up to and including 180 degrees Fahrenheit.



U.S. Patent # 9,551,142

"We chose MIFAB SuperMax HDPE Grease Interceptors because they provide us with superb engineering services." – Ryan Boughey, P.E., Pan-Pacific Mechanical, Fountain Valley, CA



Model	Liquid Holding Capacity (Gallons / Cu. Ft.)	Grease Retention Capacity	Sediment Capacity (Gallons)	Flow Rate (GPM)	A	Width B	C' Dim.	C² Dim.	D' Dim.	D² Dim.	E' Dim.	E² Dim.	F Connection Size	Shipping Weight (Lbs.)	List Price
SUPER-500	539 / 72	3492 lbs.	53	250	111"	64"	18.75"	37.25"	26.25"	24.25"	45"	61.50"	4" 102mm	950	\$14,755.00
SUPER-750	772 / 103	5002 lbs.	77	250	111"	64"	18.75"	37.25"	34.88"	32.88"	53.63"	70.13"	4" 102mm	1,015	\$21,370.00
SUPER-1000	1,015 / 135	6577 lbs.	102	250	111"	64"	18.75"	37.25"	45.25"	43.25"	64"	80.50"	4" 102mm	1,075	\$24,263.00
SUPER-1250	1,262 / 168	8177 lbs.	126	250	111"	64"	18.75"	37.25"	56.25"	54.25"	75"	91.50"	4" 102mm	1,150	\$30,009.00
SUPER-1300	1,312 / 175	8501 lbs.	131	250	111"	64"	18.75"	37.25"	56.25"	54.25"	75"	91.50"	4" 102mm	1,150	\$30,009.00
SUPER-1500	1,522 / 202	9862 lbs.	152	250	111"	64"	18.75"	37.25"	64"	62"	82.75"	99.25"	4" 102mm	1,250	\$31,205.00
SUPER-2000	2,022 / 269	13102 lbs.	202	250	111"	64"	18.75"	37.25"	85.50"	83.50"	104.25"	120"	4" 102mm	1,350	\$46,407.00

SUFFIX	OPTIONAL VARIATIONS	PART NO.	LIST PRICE
-AK	Anchor kit for all SuperMax interceptors	SUPER--AK-SET (* = Specify Size)	\$1,405.00
-ASME	100 GPM hydro-mechanical grease interceptor	SUPER-2000-ASME	No Add
-C	Lid Extension - up to 44" high - (2 pieces included)	SUPER-EXT-44	\$1,264.00
-C	Lid Extension - up to 72" high - (2 pieces included)	SUPER-EXT-72	\$2,528.00
-C	Lid Extension - up to 94" high - (2 pieces included)	SUPER-EXT-94	\$3,792.00
-DI	Ductile iron lid and collar - for all SuperMax interceptors (2 pcs. Included)	SM-MI-G-PL-LID-DI	\$2,000.00
-DP	Dosing Pump for Lil Max, Big Max, SuperMax (includes the -EP enzyme port)	XL-MI-PL-DP	\$980.00
-EP	Enzyme port for Lil Max, Big Max, SuperMax	XL-MI-PL-EP	\$77.00
-FL-C	Membrane clamp kit - for all SuperMax interceptors (2 pcs. Included)	SUPER-FLM (2 pcs. Included)	\$1,965.00
-F6	6" no hub inlet and outlet (flow rate of 700 GPM with 6" connections)	MI-G-PL-PF6 (2 pcs. required)	\$255.00
-F8	8" no hub inlet and outlet (flow rate of 1200 GPM with 8" connections) (Not available for side inlets / outlets)	MI-G-PL-PF8 (2 pcs. required)	\$255.00
-HLA	High level alarm and float switch (to be installed on site) (for Lil Max, Big Max, SuperMax)	XL-MI-PL-HLA	\$2,700.00
-LHSI	No hub inlet on left hand side (not available with sediment bucket) (for Lil Max, Big Max, SuperMax)	MI-G-PL-PF4	\$73.00
-LHSO	No hub outlet on left hand side (not available with sediment bucket) (for Lil Max, Big Max, SuperMax)	MI-G-PL-PF4	\$73.00
-PDI	PDI plate and external, vented flow control fitting (to meet PDI G-101 Standard) (only for SUPER-500 at 100 GPM)	SUPER-MAX-PDK	\$261.00
-POK	Remote pump out kit (also includes Remote Pump Out (-RPO) (specify location and number required)	SUPER-MAX-PDK	\$261.00
-RHSI	No hub inlet on right hand side (not available with sediment bucket) (for Lil Max, Big Max, SuperMax)	MI-G-PL-PF4	\$73.00
-RHSO	No hub outlet on right hand side (not available with sediment bucket) (for Lil Max, Big Max, SuperMax)	MI-G-PL-PF4	\$73.00
-RPO	3" Remote pump outlet connections on top of interceptor - specify location and number required	SUPER-MAX-RPO	\$126.00
-SB	Sediment bucket - for all SuperMax interceptors	SUPER--PSB (* = Specify Size)	\$1,896.00
-SP	External sampling port - inline, high connections	SUPER-SP	\$2,115.00
-SP-L	External sampling port - inline, low connections	SUPER-SP-L	\$2,115.00
-SP-OF	External sampling port - offset	SUPER-SP-OF	\$2,115.00
-SST	Fire resistant fabricated stainless steel interceptor	Contact MIFAB®	Contact MIFAB®
-ST	Fire resistant fabricated 10 gauge powder epoxy coated steel interceptor	Contact MIFAB®	Contact MIFAB®
-T	Female threaded connections - 4" (2 pcs. Included)	MI-G-PL-PF4T	\$150.00
-V	No hub vent connection - 4" - (specify number required and location - side and / or top) (2", 3" available - Specify -V2, -V3 - same price)	MI-G-PL-PF4	\$139.00

CALIFORNIA PROPOSITION 65 WARNING. This product contains chemicals known to the State of California to cause cancer and birth defects or other reproductive harm.

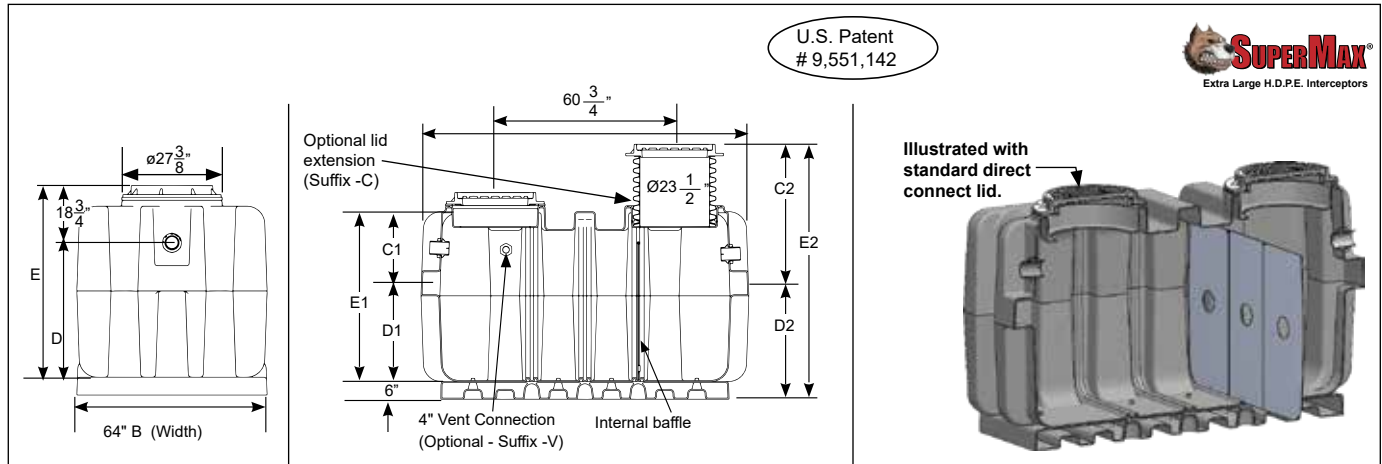
Design and dimensions are subject to modification. Prices do not include applicable taxes. Visit www.mifab.com for the most recent product information.

MIFAB®, Inc., 1321 West 119th Street, Chicago, Illinois 60643-5109, USA
All sales subject to MIFAB's® Terms and Conditions. Please refer to Page 106.

USA Toll Free: 1-800-465-2736 • Fax: 1-773-341-3049
Canada Toll Free: 1-800-387-3880 • sales@mifab.com

Specification: MIFAB® SUPER-(specify size)-PL gravity plaster interceptor with liquid holding capacity of _____(indicate), limited lifetime warranty and is made in the U.S.A. out of seamless, rotationally molded High Density Polyethylene with 3/8" uniform wall thickness. Interceptor is designed for above or below ground installation (the 2000 gallon model can only be installed below ground) and includes extension pipe gasket for ADS 24N12 (pipe not included) for the adjustable lid system, solids retention baffle with elevated 3" diameter passageway, sample port access, deep seal trap covered by lid, internal air relief by-pass, base for support and floor level installation and 4" no hub inlet and outlet connections. Steel encased composite lids provide a water / gas tight seal and have a minimum of 20,000 LB. load capacity – in accordance with the loading requirements of AASHTO H20. The high density polyethylene material is PE 3135 from Dow 9.39 with a density of 0.939 g/cm3.

Function: Plaster interceptors are required anywhere that solids may be introduced into the public sewer system in applications such as: barber shops, dentist offices, salons, artist studios, laundry facilities, machine shops, food waste, parking lots, car washes, food processing, livestock and agricultural drainage. These wastes must be separated before entering the sewer system. The plaster interceptor will filter out plaster and sediment from the fixture waste line before entering the pipe system to reduce clogging and improve performance. Typically installed either on or into the floor. Regular maintenance is required to keep the interceptor functioning. All SuperMax interceptors can withstand a temperature of up to and including 180 degrees Fahrenheit.



Model	Flow Rate (GPM)	Liquid Holding Capacity (Gal./Cu.Ft.)	Plaster Capacity (Gal./Cu.Ft.)	A	Width B	D Dim.	E Dim.	F Outlet Connection Size	Shipping Weight (Lbs.)	List Price
SUPER-500-PL	250	539 / 72	270 / 36	111" (2820 mm)	64" (1630 mm)	26 1/4" (667 mm)	45" (1143 mm)	4" (102 mm)	1060	\$14,755.00
SUPER-750-PL	250	772 / 103	386 / 52	111" (2820 mm)	64" (1630 mm)	34.88" (886 mm)	53.63" (1362 mm)	4" (102 mm)	1125	\$18,462.00
SUPER-1000-PL	250	1015 / 135	508 / 68	111" (2820 mm)	64" (1630 mm)	45 1/4" (1149 mm)	64" (1630 mm)	4" (102 mm)	1185	\$24,952.00
SUPER-1250-PL	250	1262 / 168	631 / 85	111" (2820 mm)	64" (1630 mm)	56 1/4" (1429 mm)	75" (1905 mm)	4" (102 mm)	1260	\$29,522.00
SUPER-1300-PL	250	1312 / 175	656 / 88	111" (2820 mm)	64" (1630 mm)	56 1/4" (1429 mm)	75" (1905 mm)	4" (102 mm)	1260	\$29,522.00
SUPER-1500-PL	250	1522 / 202	761 / 102	111" (2820 mm)	64" (1630 mm)	64" (1626 mm)	82.75" (2102 mm)	4" (102 mm)	1360	\$34,880.00
SUPER-2000-PL	250	2022 / 269	1011 / 135	111" (2820 mm)	64" (1630 mm)	85 1/2" (2172 mm)	104.25" (2648 mm)	4" (102 mm)	1460	\$46,227.00

SUFFIX	OPTIONAL VARIATIONS	PART NO.	LIST PRICE
-AK	Anchor kit for all SuperMax interceptors	SUPER-*-AK-SET (* = Specify Size)	\$1,405.00
-C	Lid Extension - up to 44" high - (2 pieces included)	SUPER-EXT-44	\$1,264.00
-C	Lid Extension - up to 72" high - (2 pieces included)	SUPER-EXT-72	\$2,528.00
-C	Lid Extension - up to 94" high - (2 pieces included)	SUPER-EXT-94	\$3,792.00
-DI	Ductile iron lid and collar - for all SuperMax interceptors (2 pcs. Included)	SM-MI-G-PL-LID-DI	\$2,000.00
-FL-C	Membrane clamp kit - for all SuperMax interceptors (2 pcs. Included)	SUPER-FLM (2 pcs. Included)	\$1,965.00
-F6	6" no hub inlet and outlet (flow rate of 700 GPM with 6" connections)	MI-G-PL-PF6 (2 pcs. required)	\$255.00
-F8	8" no hub inlet and outlet (flow rate of 1200 GPM with 8" connections) (not available for side inlets / outlets)	MI-G-PL-PF8 (2 pcs. required)	\$255.00
-LHSI	No hub inlet on left hand side (not available with sediment bucket) (for Lil Max, Big Max, SuperMax)	MI-G-PL-PF4	\$73.00
-LHSO	No hub outlet on left hand side (not available with sediment bucket) (for Lil Max, Big Max, SuperMax)	MI-G-PL-PF4	\$73.00
-POK	Remote pump out kit (specify location and number required)	XL-MI-PL-*-POK (* = Specify Size)	\$261.00
-RHSI	No hub inlet on right hand side (not available with sediment bucket) (for Lil Max, Big Max, SuperMax)	MI-G-PL-PF4	\$73.00
-RHSO	No hub outlet on right hand side (not available with sediment bucket) (for Lil Max, Big Max, SuperMax)	MI-G-PL-PF4	\$73.00
-RPO	4" Remote pump outlet connections on top of interceptor - specify location and number required	SUPER-MAX-RPO	\$126.00
-SP	External sampling port - inline, high connections	SUPER-SP	\$2,115.00
-SP-L	External sampling port - inline, low connections	SUPER-SP-L	\$2,115.00
-SP-OF	External sampling port - offset	SUPER-SP-OF	\$2,115.00
-T	Female threaded connections - 4" (2 pcs. Included)	MI-G-PL-PF4T	\$150.00
-V	No hub vent connection - 4" - (specify number required and location - side and / or top) (2", 3" available - Specify -V2, -V3 - same price)	MI-G-PL-PF4	\$139.00

CALIFORNIA PROPOSITION 65 WARNING. This product contains chemicals known to the State of California to cause cancer and birth defects or other reproductive harm.

Design and dimensions are subject to modification. Prices do not include applicable taxes. Visit www.mifab.com for the most recent product information.

Specification: MIFAB® SUPER-(specify size)-L gravity lint interceptor with liquid holding capacity of _____ (indicate), limited lifetime warranty and is made in the U.S.A. out of seamless, rotationally molded High Density Polyethylene with 3/8" uniform wall thickness. Interceptor is designed for above or below ground installation (the 2000 gallon model can only be installed below ground) and includes extension pipe gasket for ADS 24N12 (pipe not included) for the adjustable lid system. Unit shall include: dual strainer baffles with 3/8" Dia. holes, 1/2" apart, deep seal trap covered by lid, sample port access and 4" no hub inlet and outlet connections. Steel encased composite lid provides a water / gas tight seal and has a minimum of 20,000 lbs. load capacity. The lid is designed in accordance with the loading requirements of AASHTO H20.

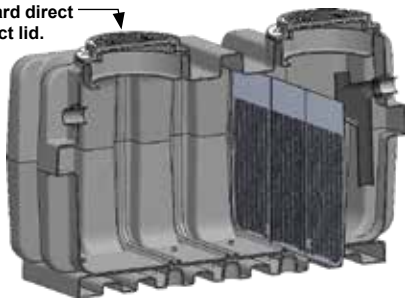
Function: Used in laundries and maintenance facilities to receive waste water that contains lint. The lint interceptor will filter out lint and sediment from the fixture waste line before entering the pipe system to reduce clogging and improve performance. Typically installed either on or into the floor. Regular maintenance is required to keep the interceptor functioning. All SuperMax interceptors can withstand a temperature of up to and including 180 degrees Fahrenheit.



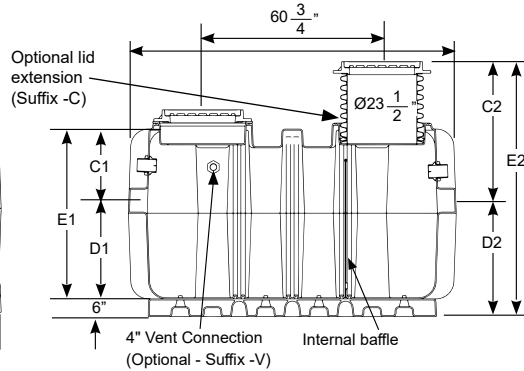
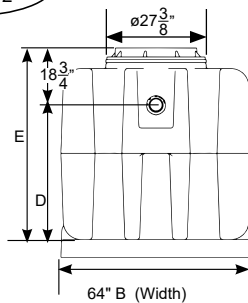
"The unit went into the basement of 4 story building. We needed a solution for above ground mount and MIFAB had an easy answer. We purchased the SUPER-1000 and was able to pick it up locally the same day. The unit was unloaded off the delivery truck and within 10 minutes was set in place. The connections and installation was not complicated. Thanks to the Kliman and MIFAB team."

– Rick Buss, Owner, Buss Mechanical Plumbing, Sacramento, CA

Illustrated with standard direct connect lid.



U.S. Patent # 9,551,142



Model	Flow Rate (GPM)	Liquid Holding Capacity (Gal./Cu.Ft.)	Solids Capacity (Gal./Cu.Ft.)	A	Width B	D Dim.	E Dim.	F Outlet Connection Size	Shipping Weight (Lbs.)	List Price
SUPER-500-L	250	539 / 72	270 / 36	111" (2820 mm)	64" (1630 mm)	26 1/4" (667 mm)	45" (1143 mm)	4" (102 mm)	1060	\$14,755.00
SUPER-750-L	250	772 / 103	386 / 52	111" (2820 mm)	64" (1630 mm)	34.88" (886 mm)	53.63" (1362 mm)	4" (102 mm)	1125	\$18,462.00
SUPER-1000-L	250	1015 / 135	508 / 68	111" (2820 mm)	64" (1630 mm)	45 1/4" (1149 mm)	64" (1630 mm)	4" (102 mm)	1185	\$24,952.00
SUPER-1250-L	250	1262 / 168	631 / 85	111" (2820 mm)	64" (1630 mm)	56 1/4" (1429 mm)	75" (1905 mm)	4" (102 mm)	1260	\$29,522.00
SUPER-1300-L	250	1312 / 175	656 / 88	111" (2820 mm)	64" (1630 mm)	56 1/4" (1429 mm)	75" (1905 mm)	4" (102 mm)	1260	\$29,522.00
SUPER-1500-L	250	1522 / 202	761 / 102	111" (2820 mm)	64" (1630 mm)	64" (1626 mm)	82.75" (2102 mm)	4" (102 mm)	1360	\$34,880.00
SUPER-2000-L	250	2022 / 269	1011 / 135	111" (2820 mm)	64" (1630 mm)	85 1/2" (2172 mm)	104.25" (2648 mm)	4" (102 mm)	1460	\$46,227.00

SUFFIX	OPTIONAL VARIATIONS	PART NO.	LIST PRICE
-AK	Anchor kit for all SuperMax interceptors	SUPER- [*] -AK-SET ([*] = Specify Size)	\$1,405.00
-C	Lid Extension - up to 44" high - (2 pieces included)	SUPER-EXT-44	\$1,264.00
-C	Lid Extension - up to 72" high - (2 pieces included)	SUPER-EXT-72	\$2,528.00
-C	Lid Extension - up to 94" high - (2 pieces included)	SUPER-EXT-94	\$3,792.00
-DI	Ductile iron lid and collar - for all SuperMax interceptors (2 pcs. Included)	SM-MI-G-PL-LID-DI	\$2,000.00
-FL-C	Membrane clamp kit - for all SuperMax interceptors (2 pcs. Included)	SUPER-FLM (2 pcs. Included)	\$1,965.00
-F6	6" no hub inlet and outlet (flow rate of 700 GPM with 6" connections)	MI-G-PL-PF6 (2 pcs. required)	\$255.00
-F8	8" no hub inlet and outlet (flow rate of 1200 GPM with 8" connections) (not available for side inlets / outlets)	MI-G-PL-PF8 (2 pcs. required)	\$255.00
-LHSI	No hub inlet on left hand side (not available with sediment bucket) (for Lil Max, Big Max, SuperMax)	MI-G-PL-PF4	\$73.00
-LHSO	No hub outlet on left hand side (not available with sediment bucket) (for Lil Max, Big Max, SuperMax)	MI-G-PL-PF4	\$73.00
-POK	Remote pump out kit (specify location and number required)	XL-MI-PL- [*] -POK ([*] = Specify Size)	\$261.00
-RHSI	No hub inlet on right hand side (not available with sediment bucket) (for Lil Max, Big Max, SuperMax)	MI-G-PL-PF4	\$73.00
-RHSO	No hub outlet on right hand side (not available with sediment bucket) (for Lil Max, Big Max, SuperMax)	MI-G-PL-PF4	\$73.00
-RPO	4" Remote pump outlet connections on top of interceptor - specify location and number required	SUPER-MAX-RPO	\$126.00
-SP	External sampling port - inline, high connections	SUPER-SP	\$2,115.00
-SP-L	External sampling port - inline, low connections	SUPER-SP-L	\$2,115.00
-SP-OFF	External sampling port - offset	SUPER-SP-OFF	\$2,115.00
-T	Female threaded connections - 4" (2 pcs. Included)	MI-G-PL-PF4T	\$150.00
-V	No hub vent connection - 4" - (specify number required and location - side and / or top) (2", 3" available - Specify -V2, -V3 - same price)	MI-G-PL-PF4	\$139.00

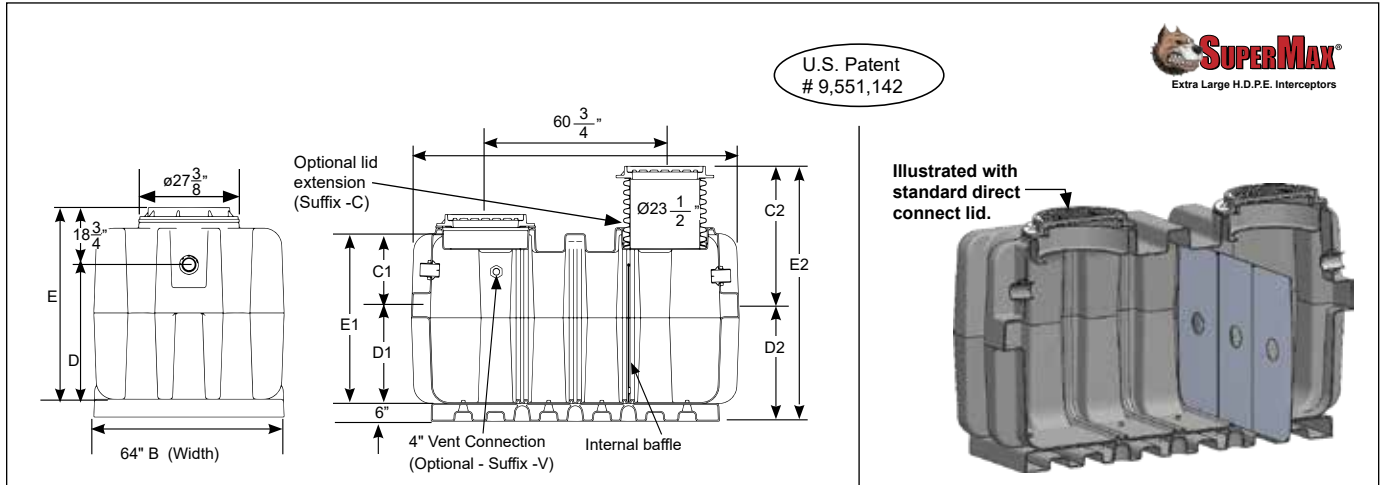
CALIFORNIA PROPOSITION 65 WARNING. This product contains chemicals known to the State of California to cause cancer and birth defects or other reproductive harm.

Design and dimensions are subject to modification. Prices do not include applicable taxes.

Visit www.mifab.com for the most recent product information.

Specification: MIFAB® SUPER-(specify size)-SA gravity sand interceptor with liquid holding capacity of _____(indicate), limited lifetime warranty and is made in the U.S.A. out of seamless, rotationally molded High Density Polyethylene with 3/8" uniform wall thickness. Interceptor is designed for above or below ground installation (the 2000 gallon model can only be installed below ground) and includes extension pipe gasket for ADS 24N12 (pipe not included) for the adjustable lid system. Unit shall include: sand retention baffle with elevated 3" diameter passageway, 3/8" uniform wall thickness, adjustable lid system, sample port access and 4" no hub inlet and outlet connections. Steel encased composite lids provide a water / gas tight seal and have a minimum of 20,000 LB. load capacity - in accordance with the loading requirements of AASHTO H20. The high density polyethylene material is PE 3135 from Dow 9.39 with a density of 0.939 g/cm3.

Function: Used in maintenance facilities to receive waste water that contains sand and sediment. The sand interceptor will filter out sand and sediment from the fixture waste line before entering the pipe system to reduce clogging and improve performance. Typically installed either on or into the floor. Regular maintenance is required to keep the interceptor functioning. All SuperMax interceptors can withstand a temperature of up to and including 180 degrees Fahrenheit.



Model	Flow Rate (GPM)	Liquid Holding Capacity (Gal./Cu.Ft.)	Sand Capacity (Gal./Cu.Ft.)	A	Width B	D Dim.	E Dim.	F Outlet Connection Size	Shipping Weight (Lbs.)	List Price
SUPER-500-SA	250	539 / 72	270 / 36	111" (2820 mm)	64" (1630 mm)	26 1/4" (667 mm)	45" (1143 mm)	4" (102 mm)	1060	\$16,100.00
SUPER-750-SA	250	772 / 103	386 / 52	111" (2820 mm)	64" (1630 mm)	34.88" (886 mm)	53.63" (1362 mm)	4" (102 mm)	1125	\$18,300.00
SUPER-1000-SA	250	1015 / 135	508 / 68	111" (2820 mm)	64" (1630 mm)	45 1/4" (1149 mm)	64" (1630 mm)	4" (102 mm)	1185	\$21,400.00
SUPER-1250-SA	250	1262 / 168	631 / 85	111" (2820 mm)	64" (1630 mm)	56 1/4" (1429 mm)	75" (1905 mm)	4" (102 mm)	1260	\$25,000.00
SUPER-1300-SA	250	1312 / 175	656 / 88	111" (2820 mm)	64" (1630 mm)	56 1/4" (1429 mm)	75" (1905 mm)	4" (102 mm)	1260	\$25,000.00
SUPER-1500-SA	250	1522 / 202	761 / 102	111" (2820 mm)	64" (1630 mm)	64" (1626 mm)	82.75" (2102 mm)	4" (102 mm)	1360	\$29,200.00
SUPER-2000-SA	250	2022 / 269	1011 / 135	111" (2820 mm)	64" (1630 mm)	85 1/2" (2172 mm)	104.25" (2648 mm)	4" (102 mm)	1460	\$38,600.00

SUFFIX	OPTIONAL VARIATIONS	PART NO.	LIST PRICE
-AK	Anchor kit for all SuperMax interceptors	SUPER-*-AK-SET (* = Specify Size)	\$1,405.00
-C	Lid Extension - up to 44" high - (2 pieces included)	SUPER-EXT-44	\$1,264.00
-C	Lid Extension - up to 72" high - (2 pieces included)	SUPER-EXT-72	\$2,528.00
-C	Lid Extension - up to 94" high - (2 pieces included)	SUPER-EXT-94	\$3,792.00
-DI	Ductile iron lid and collar - for all SuperMax interceptors (2 pcs. Included)	SM-MI-G-PL-LID-DI	\$2,000.00
-FL-C	Membrane clamp kit - for all SuperMax interceptors (2 pcs. Included)	SUPER-FLM (2 pcs. Included)	\$1,965.00
-F6	6" no hub inlet and outlet (flow rate of 700 GPM with 6" connections)	MI-G-PL-PF6 (2 pcs. required)	\$255.00
-F8	8" no hub inlet and outlet (flow rate of 1200 GPM with 8" connections) (not available for side inlets / outlets)	MI-G-PL-PF8 (2 pcs. required)	\$255.00
-LHSI	No hub inlet on left hand side (not available with sediment bucket) (for Lil Max, Big Max, SuperMax)	MI-G-PL-PF4	\$73.00
-LHSO	No hub outlet on left hand side (not available with sediment bucket) (for Lil Max, Big Max, SuperMax)	MI-G-PL-PF4	\$73.00
-POK	Remote pump out kit (specify location and number required)	XL-MI-PL-*-POK (* = Specify Size)	\$261.00
-RHSI	No hub inlet on right hand side (not available with sediment bucket) (for Lil Max, Big Max, SuperMax)	MI-G-PL-PF4	\$73.00
-RHSO	No hub outlet on right hand side (not available with sediment bucket) (for Lil Max, Big Max, SuperMax)	MI-G-PL-PF4	\$73.00
-RPO	4" Remote pump outlet connections on top of interceptor - specify location and number required	SUPER-MAX-RPO	\$126.00
-SP	External sampling port - inline, high connections	SUPER-SP	\$2,115.00
-SP-L	External sampling port - inline, low connections	SUPER-SP-L	\$2,115.00
-SP-OF	External sampling port - offset	SUPER-SP-OF	\$2,115.00
-T	Female threaded connections - 4" (2 pcs. Included)	MI-G-PL-PF4T	\$150.00
-V	No hub vent connection - 4" - (specify number required and location - side and / or top) (2", 3" available - Specify -V2, -V3 - same price)	MI-G-PL-PF4	\$139.00

CALIFORNIA PROPOSITION 65 WARNING. This product contains chemicals known to the State of California to cause cancer and birth defects or other reproductive harm.

Design and dimensions are subject to modification. Prices do not include applicable taxes. Visit www.mifab.com for the most recent product information.

Specification: MIFAB® SUPER-(specify size) -F fish scale interceptor with liquid holding capacity of _____ (indicate), limited lifetime warranty and is made in the U.S.A. out of seamless, rotationally molded High Density Polyethylene with 3/8" uniform wall thickness. Interceptor is designed for above or below ground installation (the 2000 gallon model can only be installed below ground) and includes extension pipe gasket for ADS 24N12 (pipe not included) for the adjustable lid system. Unit shall include: dual strainer baffles with 3/8" Dia. holes, 1/2" apart, deep seal trap covered by lid, adjustable lid system, sample port access and 4" no hub inlet and outlet connections. Steel encased composite lids provide a water / gas tight seal and have a minimum of 20,000 LB. load capacity - in accordance with the loading requirements of AASHTO H20. The high density polyethylene material is PE 3135 from Dow 9.39 with a density of 0.939 g/cm3.

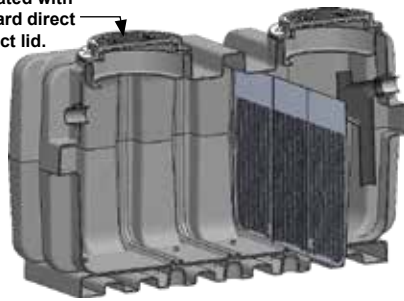
Function: Used in fish processing plants and facilities that sell fish to receive waste water that contains fish scales. The fish scale interceptor will filter out fish scales from the fixture waste line before entering the pipe system to reduce clogging and improve performance. Typically installed either on or into the floor. Regular maintenance is required to keep the interceptor functioning. All SuperMax interceptors can withstand a temperature of up to and including 180 degrees Fahrenheit.



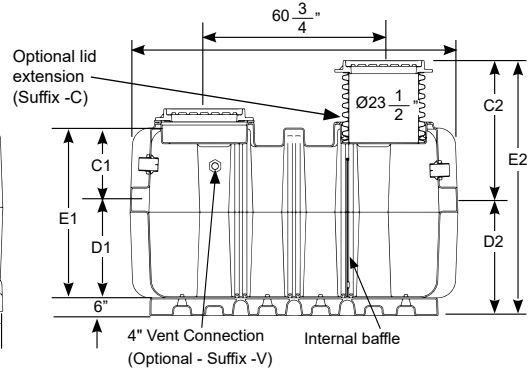
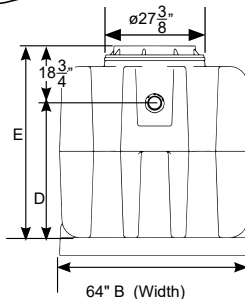
"The unit went into the basement of 4 story building. We needed a solution for above ground mount and MIFAB had an easy answer. We purchased the SUPER-1000 and was able to pick it up locally the same day. The unit was unloaded off the delivery truck and within 10 minutes was set in place. The connections and installation was not complicated. Thanks to the Kliman and MIFAB team."

– Rick Buss, Owner, Buss Mechanical Plumbing, Sacramento, CA

Illustrated with standard direct connect lid.



U.S. Patent # 9,551,142



Model	Flow Rate (GPM)	Liquid Holding Capacity (Gal./Cu.Ft.)	Solids Capacity (Gal./Cu.Ft.)	A	Width B	D Dim.	E Dim.	F Outlet Connection Size	Shipping Weight (Lbs.)	List Price
SUPER-500-F	250	539 / 72	270 / 36	111" (2820 mm)	64" (1630 mm)	26 1/4" (667 mm)	45" (1143 mm)	4" (102 mm)	1060	\$14,755.00
SUPER-750-F	250	772 / 103	386 / 52	111" (2820 mm)	64" (1630 mm)	34.88" (886 mm)	53.63" (1362 mm)	4" (102 mm)	1125	\$18,462.00
SUPER-1000-F	250	1015 / 135	508 / 68	111" (2820 mm)	64" (1630 mm)	45 1/4" (1149 mm)	64" (1630 mm)	4" (102 mm)	1185	\$24,952.00
SUPER-1250-F	250	1262 / 168	631 / 85	111" (2820 mm)	64" (1630 mm)	56 1/4" (1429 mm)	75" (1905 mm)	4" (102 mm)	1260	\$29,522.00
SUPER-1300-F	250	1312 / 175	656 / 88	111" (2820 mm)	64" (1630 mm)	56 1/4" (1429 mm)	75" (1905 mm)	4" (102 mm)	1260	\$29,522.00
SUPER-1500-F	250	1522 / 202	761 / 102	111" (2820 mm)	64" (1630 mm)	64" (1626 mm)	82.75" (2102 mm)	4" (102 mm)	1360	\$34,880.00
SUPER-2000-F	250	2022 / 269	1011 / 135	111" (2820 mm)	64" (1630 mm)	85 1/2" (2172 mm)	104.25" (2648 mm)	4" (102 mm)	1460	\$46,227.00

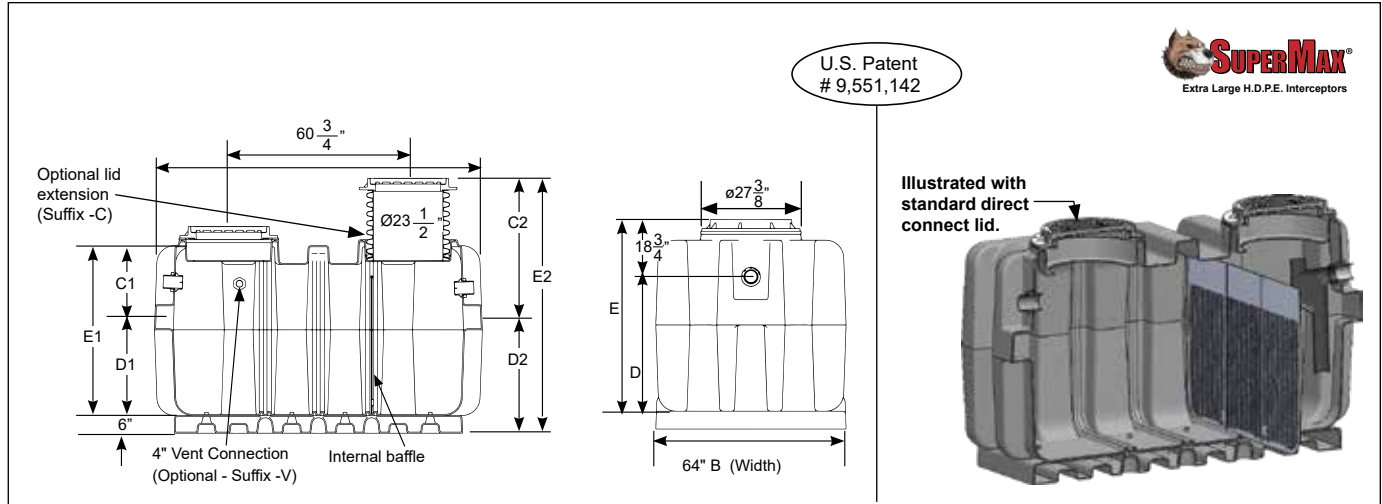
SUFFIX	OPTIONAL VARIATIONS	PART NO.	LIST PRICE
-AK	Anchor kit for all SuperMax interceptors	SUPER- [*] -AK-SET ([*] = Specify Size)	\$1,405.00
-C	Lid Extension - up to 44" high - (2 pieces included)	SUPER-EXT-44	\$1,264.00
-C	Lid Extension - up to 72" high - (2 pieces included)	SUPER-EXT-72	\$2,528.00
-C	Lid Extension - up to 94" high - (2 pieces included)	SUPER-EXT-94	\$3,792.00
-DI	Ductile iron lid and collar - for all SuperMax interceptors (2 pcs. Included)	SM-MI-G-PL-LID-DI	\$2,000.00
-FL-C	Membrane clamp kit - for all SuperMax interceptors (2 pcs. Included)	SUPER-FLM (2 pcs. Included)	\$1,965.00
-F6	6" no hub inlet and outlet (flow rate of 700 GPM with 6" connections)	MI-G-PL-PF6 (2 pcs. required)	\$255.00
-F8	8" no hub inlet and outlet (flow rate of 1200 GPM with 8" connections) (not available for side inlets / outlets)	MI-G-PL-PF8 (2 pcs. required)	\$255.00
-LHSI	No hub inlet on left hand side (not available with sediment bucket) (for Lil Max, Big Max, SuperMax)	MI-G-PL-PF4	\$73.00
-LHSO	No hub outlet on left hand side (not available with sediment bucket) (for Lil Max, Big Max, SuperMax)	MI-G-PL-PF4	\$73.00
-POK	Remote pump out kit (specify location and number required)	XL-MI-PL- [*] -POK ([*] = Specify Size)	\$261.00
-RHSI	No hub inlet on right hand side (not available with sediment bucket) (for Lil Max, Big Max, SuperMax)	MI-G-PL-PF4	\$73.00
-RHSO	No hub outlet on right hand side (not available with sediment bucket) (for Lil Max, Big Max, SuperMax)	MI-G-PL-PF4	\$73.00
-RPO	4" Remote pump outlet connections on top of interceptor - specify location and number required	SUPER-MAX-RPO	\$126.00
-SP	External sampling port - inline, high connections	SUPER-SP	\$2,115.00
-SP-L	External sampling port - inline, low connections	SUPER-SP-L	\$2,115.00
-SP-OFF	External sampling port - offset	SUPER-SP-OFF	\$2,115.00
-T	Female threaded connections - 4" (2 pcs. Included)	MI-G-PL-PF4T	\$150.00
-V	No hub vent connection - 4" - (specify number required and location - side and / or top) (2", 3" available - Specify -V2, -V3 - same price)	MI-G-PL-PF4	\$139.00

CALIFORNIA PROPOSITION 65 WARNING. This product contains chemicals known to the State of California to cause cancer and birth defects or other reproductive harm.

Design and dimensions are subject to modification. Prices do not include applicable taxes. Visit www.mifab.com for the most recent product information.

Specification: MIFAB® SUPER-(specify size)-R gravity rice interceptor with liquid holding capacity of _____ (indicate), limited lifetime warranty and is made in the U.S.A. out of seamless, rotationally molded High Density Polyethylene with 3/8" uniform wall thickness. Interceptor is designed for above or below ground installation (the 2000 gallon model can only be installed below ground) and includes extension pipe gasket for ADS 24N12 (pipe not included) for the adjustable lid system. Unit shall include: dual strainer baffles with 3/8" Dia. holes, 1/2" apart, deep seal trap covered by lid, adjustable lid system, sample port access and 4" no hub inlet and outlet connections. Steel encased composite lids provide a water / gas tight seal and have a minimum of 20,000 LB. load capacity - in accordance with the loading requirements of AASHTO H20. The high density polyethylene material is PE 3135 from Dow 9.39 with a density of 0.939 g/cm3.

Function: Used in food processing plants and restaurant facilities that have a lot of rice to receive waste water. The rice interceptor will filter out rice from the fixture waste line before entering the pipe system to reduce clogging and improve performance. Typically installed either on or into the floor. Regular maintenance is required to keep the interceptor functioning. All SuperMax interceptors can withstand a temperature of up to and including 180 degrees Fahrenheit.



Model	Flow Rate (GPM)	Liquid Holding Capacity (Gal./Cu.Ft.)	Solids Capacity (Gal./Cu.Ft.)	A	Width B	D Dim.	E Dim.	F Outlet Connection Size	Shipping Weight (Lbs.)	List Price
SUPER-500-R	250	539 / 72	270 / 36	111" (2820 mm)	64" (1630 mm)	26 1/4" (667 mm)	45" (1143 mm)	4" (102 mm)	1060	\$14,755.00
SUPER-750-R	250	772 / 103	386 / 52	111" (2820 mm)	64" (1630 mm)	34.88" (886 mm)	53.63" (1362 mm)	4" (102 mm)	1125	\$18,462.00
SUPER-1000-R	250	1015 / 135	508 / 68	111" (2820 mm)	64" (1630 mm)	45 1/4" (1149 mm)	64" (1630 mm)	4" (102 mm)	1185	\$24,952.00
SUPER-1250-R	250	1262 / 168	631 / 85	111" (2820 mm)	64" (1630 mm)	56 1/4" (1429 mm)	75" (1905 mm)	4" (102 mm)	1260	\$29,522.00
SUPER-1300-R	250	1312 / 175	656 / 88	111" (2820 mm)	64" (1630 mm)	56 1/4" (1429 mm)	75" (1905 mm)	4" (102 mm)	1260	\$29,522.00
SUPER-1500-R	250	1522 / 202	761 / 102	111" (2820 mm)	64" (1630 mm)	64" (1626 mm)	82.75" (2102 mm)	4" (102 mm)	1360	\$34,880.00
SUPER-2000-R	250	2022 / 269	1011 / 135	111" (2820 mm)	64" (1630 mm)	85 1/2" (2172 mm)	104.25" (2648 mm)	4" (102 mm)	1460	\$46,227.00

SUFFIX	OPTIONAL VARIATIONS	PART NO.	LIST PRICE
-AK	Anchor kit for all SuperMax interceptors	SUPER-*-AK-SET (* = Specify Size)	\$1,405.00
-C	Lid Extension - up to 44" high - (2 pieces included)	SUPER-EXT-44	\$1,264.00
-C	Lid Extension - up to 72" high - (2 pieces included)	SUPER-EXT-72	\$2,528.00
-C	Lid Extension - up to 94" high - (2 pieces included)	SUPER-EXT-94	\$3,792.00
-DI	Ductile iron lid and collar - for all SuperMax interceptors (2 pcs. Included)	SM-MI-G-PL-LID-DI	\$2,000.00
-FL-C	Membrane clamp kit - for all SuperMax interceptors (2 pcs. Included)	SUPER-FLM (2 pcs. Included)	\$1,965.00
-F6	6" no hub inlet and outlet (flow rate of 700 GPM with 6" connections)	MI-G-PL-PF6 (2 pcs. required)	\$255.00
-F8	8" no hub inlet and outlet (flow rate of 1200 GPM with 8" connections) (not available for side inlets / outlets)	MI-G-PL-PF8 (2 pcs. required)	\$255.00
-LHSI	No hub inlet on left hand side (not available with sediment bucket) (for Lil Max, Big Max, SuperMax)	MI-G-PL-PF4	\$73.00
-LHSO	No hub outlet on left hand side (not available with sediment bucket) (for Lil Max, Big Max, SuperMax)	MI-G-PL-PF4	\$73.00
-POK	Remote pump out kit (specify location and number required)	XL-MI-PL-*-POK (* = Specify Size)	\$261.00
-RHSI	No hub inlet on right hand side (not available with sediment bucket) (for Lil Max, Big Max, SuperMax)	MI-G-PL-PF4	\$73.00
-RHSO	No hub outlet on right hand side (not available with sediment bucket) (for Lil Max, Big Max, SuperMax)	MI-G-PL-PF4	\$73.00
-RPO	4" Remote pump outlet connections on top of interceptor - specify location and number required	SUPER-MAX-RPO	\$126.00
-SP	External sampling port - inline, high connections	SUPER-SP	\$2,115.00
-SP-L	External sampling port - inline, low connections	SUPER-SP-L	\$2,115.00
-SP-OF	External sampling port - offset	SUPER-SP-OF	\$2,115.00
-T	Female threaded connections - 4" (2 pcs. Included)	MI-G-PL-PF4T	\$150.00
-V	No hub vent connection - 4" - (specify number required and location - side and / or top) (2", 3" available - Specify -V2, -V3 - same price)	MI-G-PL-PF4	\$139.00

CALIFORNIA PROPOSITION 65 WARNING. This product contains chemicals known to the State of California to cause cancer and birth defects or other reproductive harm.

Design and dimensions are subject to modification. Prices do not include applicable taxes. Visit www.mifab.com for the most recent product information.

Specification: MIFAB® SUPER-(specify size)-FUR gravity fur interceptor with liquid holding capacity of _____ (indicate), limited lifetime warranty and is made in the U.S.A. out of seamless, rotationally molded High Density Polyethylene with 3/8" uniform wall thickness. Interceptor is designed for above or below ground installation (the 2000 gallon model can only be installed below ground) and includes extension pipe gasket for ADS 24N12 (pipe not included) for the adjustable lid system. Unit shall include: dual strainer baffles with 3/8" Dia. holes, 1/2" apart, deep seal trap covered by lid, adjustable lid system, sample port access and 4" no hub inlet and outlet connections. Steel encased composite lids provide a water / gas tight seal and have a minimum of 20,000 LB. load capacity - in accordance with the loading requirements of AASHTO H20. The high density polyethylene material is PE 3135 from Dow 9.39 with a density of 0.939 g/cm3.

Function: Used in pet facilities that discharge a lot of hair into the waste water. The fur interceptor will filter out fur from the fixture waste line before entering the pipe system to reduce clogging and improve performance. Typically installed either on or into the floor. Regular maintenance is required to keep the interceptor functioning. All SuperMax interceptors can withstand a temperature of up to and including 180 degrees Fahrenheit.

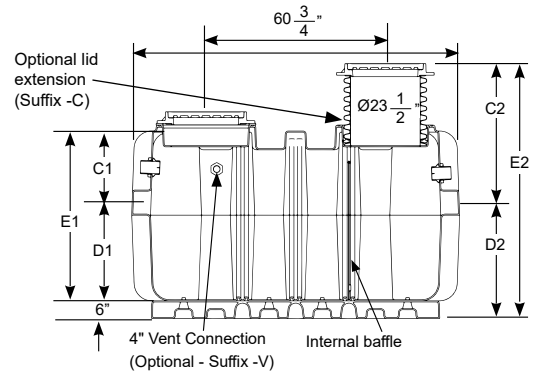
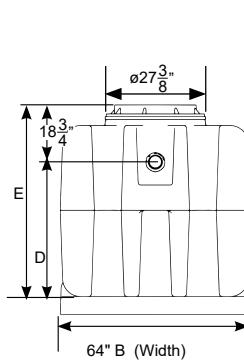
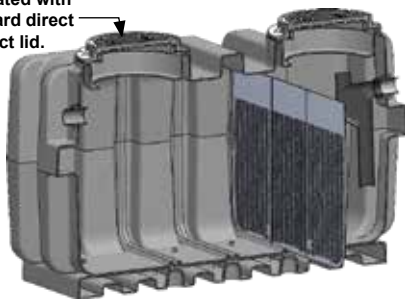


U.S. Patent # 9,551,142

"The unit went into the basement of 4 story building. We needed a solution for above ground mount and MIFAB had an easy answer. We purchased the SUPER-1000 and was able to pick it up locally the same day. The unit was unloaded off the delivery truck and within 10 minutes was set in place. The connections and installation was not complicated. Thanks to the Kliman and MIFAB team."

– Rick Buss, Owner, Buss Mechanical Plumbing, Sacramento, CA

Illustrated with standard direct connect lid.



Model	Flow Rate (GPM)	Liquid Holding Capacity (Gal./Cu.Ft.)	Solids Capacity (Gal./Cu.Ft.)	A	Width B	D Dim.	E Dim.	F Outlet Connection Size	Shipping Weight (Lbs.)	List Price
SUPER-500-FUR	250	539 / 72	270 / 36	111" (2820 mm)	64" (1630 mm)	26 1/4" (667 mm)	45" (1143 mm)	4" (102 mm)	1060	\$14,755.00
SUPER-750-FUR	250	772 / 103	386 / 52	111" (2820 mm)	64" (1630 mm)	34.88" (886 mm)	53.63" (1362 mm)	4" (102 mm)	1125	\$18,462.00
SUPER-1000-FUR	250	1015 / 135	508 / 68	111" (2820 mm)	64" (1630 mm)	45 1/4" (1149 mm)	64" (1630 mm)	4" (102 mm)	1185	\$24,952.00
SUPER-1250-FUR	250	1262 / 168	631 / 85	111" (2820 mm)	64" (1630 mm)	56 1/4" (1429 mm)	75" (1905 mm)	4" (102 mm)	1260	\$29,522.00
SUPER-1300-FUR	250	1312 / 175	656 / 88	111" (2820 mm)	64" (1630 mm)	56 1/4" (1429 mm)	75" (1905 mm)	4" (102 mm)	1260	\$29,522.00
SUPER-1500-FUR	250	1522 / 202	761 / 102	111" (2820 mm)	64" (1630 mm)	64" (1626 mm)	82.75" (2102 mm)	4" (102 mm)	1360	\$34,880.00
SUPER-2000-FUR	250	2022 / 269	1011 / 135	111" (2820 mm)	64" (1630 mm)	85 1/2" (2172 mm)	104.25" (2648 mm)	4" (102 mm)	1460	\$46,227.00

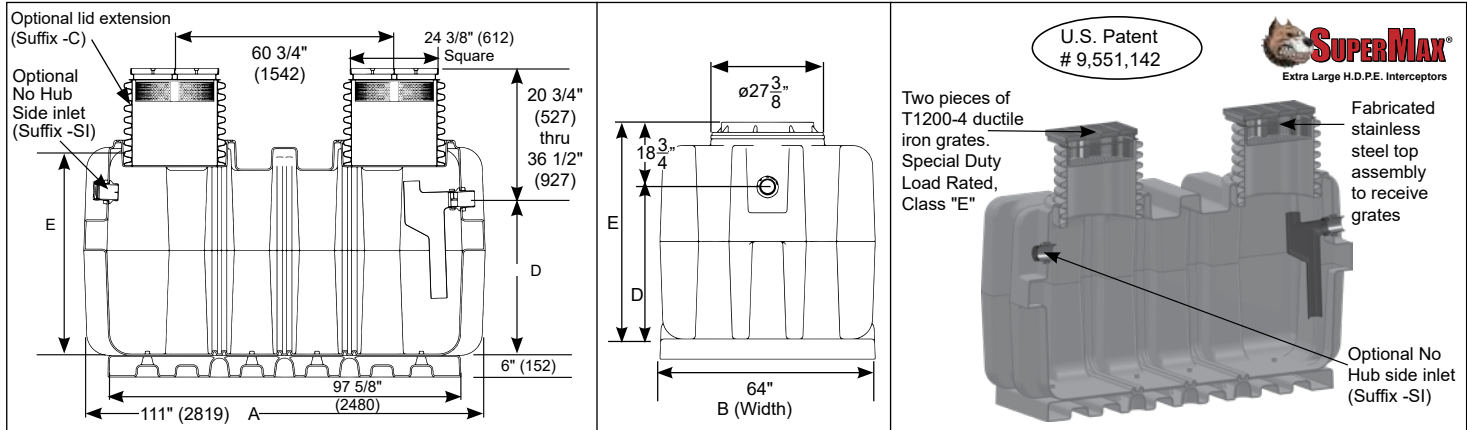
SUFFIX	OPTIONAL VARIATIONS	PART NO.	LIST PRICE
-AK	Anchor kit for all SuperMax interceptors	SUPER- [*] -AK-SET (* = Specify Size)	\$1,405.00
-C	Lid Extension - up to 44" high - (2 pieces included)	SUPER-EXT-44	\$1,264.00
-C	Lid Extension - up to 72" high - (2 pieces included)	SUPER-EXT-72	\$2,528.00
-C	Lid Extension - up to 94" high - (2 pieces included)	SUPER-EXT-94	\$3,792.00
-DI	Ductile iron lid and collar - for all SuperMax interceptors (2 pcs. Included)	SM-MI-G-PL-LID-DI	\$2,000.00
-FL-C	Membrane clamp kit - for all SuperMax interceptors (2 pcs. Included)	SUPER-FLM (2 pcs. Included)	\$1,965.00
-F6	6" no hub inlet and outlet (flow rate of 700 GPM with 6" connections)	MI-G-PL-PF6 (2 pcs. required)	\$255.00
-F8	8" no hub inlet and outlet (flow rate of 1200 GPM with 8" connections) (not available for side inlets / outlets)	MI-G-PL-PF8 (2 pcs. required)	\$255.00
-LHSI	No hub inlet on left hand side (not available with sediment bucket) (for Lil Max, Big Max, SuperMax)	MI-G-PL-PF4	\$73.00
-LHSO	No hub outlet on left hand side (not available with sediment bucket) (for Lil Max, Big Max, SuperMax)	MI-G-PL-PF4	\$73.00
-POK	Remote pump out kit (specify location and number required)	XL-MI-PL- [*] -POK (* = Specify Size)	\$261.00
-RHSI	No hub inlet on right hand side (not available with sediment bucket) (for Lil Max, Big Max, SuperMax)	MI-G-PL-PF4	\$73.00
-RHSO	No hub outlet on right hand side (not available with sediment bucket) (for Lil Max, Big Max, SuperMax)	MI-G-PL-PF4	\$73.00
-RPO	4" Remote pump outlet connections on top of interceptor - specify location and number required	SUPER-MAX-RPO	\$126.00
-SP	External sampling port - inline, high connections	SUPER-SP	\$2,115.00
-SP-L	External sampling port - inline, low connections	SUPER-SP-L	\$2,115.00
-SP-OF	External sampling port - offset	SUPER-SP-OF	\$2,115.00
-T	Female threaded connections - 4" (2 pcs. Included)	MI-G-PL-PF4T	\$150.00
-V	No hub vent connection - 4" - (specify number required and location - side and / or top) (2", 3" available - Specify -V2, -V3 - same price)	MI-G-PL-PF4	\$139.00

CALIFORNIA PROPOSITION 65 WARNING. This product contains chemicals known to the State of California to cause cancer and birth defects or other reproductive harm.

Design and dimensions are subject to modification. Prices do not include applicable taxes. Visit www.mifab.com for the most recent product information.

Specification: MIFAB® Series SUPER-OS-_____ (indicate model) gravity oil / sediment interceptor with liquid holding capacity of _____ (indicate), limited lifetime warranty and is made in the U.S.A. out of seamless, rotationally molded High Density Polyethylene with 3/8" uniform wall thickness. Interceptor is designed for below ground installation (the 2000 gallon model can only be installed below ground) and includes an adjustable top assembly system, sample port access, deep seal trap covered by "special duty" load rated (over 10,000 lbs.) ductile iron top inlet grates, sediment bucket (3/8" Dia. holes, 1/2" apart) within top assembly, internal air relief by-pass, sample port access, base for support and 4" no hub outlet connection. The high density polyethylene material is PE 3135 from Dow 9.39 with a density of 0.939 g/cm3.

Function: Oil / sediment interceptors are required anywhere oil and sediment may be introduced to the public sewer system in applications such as: repair garages, oil change stations, car wash facilities, parking garages and facilities where oil and flammable liquid waste are produced as a result of manufacturing, storage, maintenance, repair or testing processes. Sediment and debris are collected inside of the internal sediment bucket. Regular maintenance is required to keep the interceptor functioning. Interceptor to be installed flush with the floor. Standard SUPER-OS models are made with "special duty" load rated (over 10,000 lbs.) ductile iron top inlet grates. The optional -SI models are made with an 4" no hub inlet opposite the outlet.



Model	Liquid Holding Capacity (Gallons)	A	Width B	D Dim.	E Dim.	F Outlet Connection Size	Shipping Weight (Lbs.)	List Price
SUPER-500-OS	500 (1,890 litres)	111" (2820 mm)	64" (1630 mm)	24.25" (616 mm)	40 1/2" (1029 mm)	4" (102 mm)	1060	\$18,100.00
SUPER-750-OS	750 (2,840 litres)	111" (2820 mm)	64" (1630 mm)	32.88" (835 mm)	49 1/8" (1248 mm)	4" (102 mm)	1125	\$28,254.00
SUPER-1000-OS	1,000 (3,790 litres)	111" (2820 mm)	64" (1630 mm)	43.25" (1099 mm)	59 1/2" (1511 mm)	4" (102 mm)	1185	\$31,992.00
SUPER-1250-OS	1,300 (4,921 litres)	111" (2820 mm)	64" (1630 mm)	54.25" (1378 mm)	70 1/2" (1791 mm)	4" (102 mm)	1260	\$36,312.00
SUPER-1300-OS	1,300 (4,921 litres)	111" (2820 mm)	64" (1630 mm)	54.25" (1378 mm)	70 1/2" (1791 mm)	4" (102 mm)	1260	\$36,312.00
SUPER-1500-OS	1,500 (5,688 litres)	111" (2820 mm)	64" (1630 mm)	62" (1575 mm)	78 1/4" (1988 mm)	4" (102 mm)	1360	\$38,582.00
SUPER-2000-OS	2,000 (7,570 litres)	111" (2820 mm)	64" (1630 mm)	83.50" (2121mm)	99 3/4" (2534 mm)	4" (102 mm)	1460	\$47,226.00

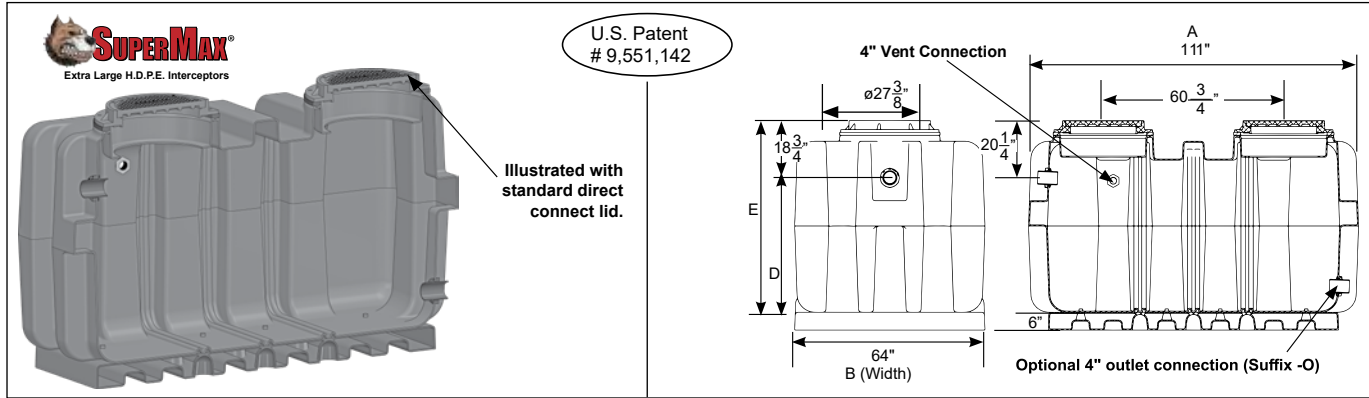
SUFFIX	OPTIONAL VARIATIONS	PART NO.	LIST PRICE
-3	Stainless steel veneers bolted to top of ductile iron grates (4 pcs. Included)	T1200-PGV-3	\$1,407.00
-AK	Anchor kit for all SuperMax interceptors	SUPER*-AK-SET (* = Specify Size)	\$1,405.00
-C	Lid Extension - up to 44" high - (2 pieces included)	SUPER-EXT-44	\$1,264.00
-C	Lid Extension - up to 72" high - (2 pieces included)	SUPER-EXT-72	\$2,528.00
-C	Lid Extension - up to 94" high - (2 pieces included)	SUPER-EXT-94	\$3,792.00
-FL-C	Membrane clamp kit - for all SuperMax interceptors (2 pcs. Included)	SUPER-FLM (2 pcs. Included)	\$1,965.00
-F6	6" no hub inlet and outlet (flow rate of 700 GPM with 6" connections)	MI-G-PL-PF6 (2 pcs. required)	\$255.00
-F8	8" no hub inlet and outlet (flow rate of 1200 GPM with 8" connections) (not available for side inlets / outlets)	MI-G-PL-PF8 (2 pcs. required)	\$255.00
-HLA	High level alarm and float switch (to be installed on site) (for Lil Max, Big Max, SuperMax)	XL-MI-PL-HLA	\$2,700.00
-LHSI	No hub inlet on left hand side (not available with sediment bucket) (for Lil Max, Big Max, SuperMax)	MI-G-PL-PF4	\$73.00
-LHSO	No hub outlet on left hand side (not available with sediment bucket) (for Lil Max, Big Max, SuperMax)	MI-G-PL-PF4	\$73.00
-POK	Remote pump out kit (specify location and number required)	SUPER-MAX-POK	\$261.00
-RHSI	No hub inlet on right hand side (not available with sediment bucket) (for Lil Max, Big Max, SuperMax)	MI-G-PL-PF4	\$73.00
-RHSO	No hub outlet on right hand side (not available with sediment bucket) (for Lil Max, Big Max, SuperMax)	MI-G-PL-PF4	\$73.00
-RPO	4" Remote pump outlet connections on top of interceptor - specify location and number required	SUPER-MAX-RPO	\$126.00
-SI	No hub side inlet on opposite side of outlet	MI-G-PL-PF4	\$73.00
-SP	External sampling port - inline, high connections	SUPER-SP	\$2,115.00
-SP-L	External sampling port - inline, low connections	SUPER-SP-L	\$2,115.00
-SP-OF	External sampling port - offset	SUPER-SP-OF	\$2,115.00
-SST	Fire resistant fabricated stainless steel interceptor	Contact MIFAB®	Contact MIFAB®
-ST	Fire resistant fabricated 10 gauge powder epoxy coated steel interceptor	Contact MIFAB®	Contact MIFAB®
-T	Female threaded connections - 4" (2 pcs. Included)	MI-G-PL-PF4T	\$150.00
-V	No hub vent connection - 4" - (specify number required and location - side and / or top) (2", 3" available - Specify -V2, -V3 - same price)	MI-G-PL-PF4	\$139.00

CALIFORNIA PROPOSITION 65 WARNING. This product contains chemicals known to the State of California to cause cancer and birth defects or other reproductive harm.

Design and dimensions are subject to modification. Prices do not include applicable taxes. Visit www.mifab.com for the most recent product information.

Specification: MIFAB® SUPER-_____ (specify size) - DECON decontamination tank with _____ (specify liquid holding capacity) U.S. gallons of liquid holding capacity has a limited lifetime warranty and is made in the U.S.A. out of seamless, rotationally molded High Density Polyethylene with 3/8" uniform wall thickness. Decontamination tank is designed for above or below ground installation (the 2000 gallon model can only be installed below ground) and includes a direct connect lid system, 4" vent connection, base for support and floor level installation and 4" no hub inlet connection. Steel encased composite lids provide a water / gas tight seal and have a minimum of 20,000 LB. load capacity – in accordance with the loading requirements of AASHTO H20. The high density polyethylene material is PE 3135 from Dow 9.39 with a density of 0.939 g/cm3.

Function: Used with eyewashes and decontamination showers to capture the liquid wastes that can damage the building's drain, waste and vent system. Public sewer or ground / surface waters are required by Chapter 8 of the Uniform Plumbing Code (U.P.C.) and by the International Plumbing Code (I.P.C.) to be pretreated. This is also required by the AIA and ANSI.



Model	Liquid Holding Capacity (Gallons)	A	Width B	D Dim.	E Dim.	F Outlet Connection Size	Shipping Weight (Lbs.)	List Price
SUPER-500-DECON	500 (1,890 litres)	111" (2820 mm)	64" (1630 mm)	26 1/4" (667 mm)	45" (1143 mm)	4" (102 mm)	1060	\$16,100.00
SUPER-750-DECON	750 (2,840 litres)	111" (2820 mm)	64" (1630 mm)	34.88" (886 mm)	53.63" (1362 mm)	4" (102 mm)	1125	\$18,300.00
SUPER-1000-DECON	1,000 (3,790 litres)	111" (2820 mm)	64" (1630 mm)	45 1/4" (1149 mm)	64" (1630 mm)	4" (102 mm)	1185	\$21,400.00
SUPER-1250-DECON	1,300 (4,921 litres)	111" (2820 mm)	64" (1630 mm)	56 1/4" (1429 mm)	75" (1905 mm)	4" (102 mm)	1260	\$28,080.00
SUPER-1300-DECON	1,300 (4,921 litres)	111" (2820 mm)	64" (1630 mm)	56 1/4" (1429 mm)	75" (1905 mm)	4" (102 mm)	1260	\$28,080.00
SUPER-1500-DECON	1,500 (5,688 litres)	111" (2820 mm)	64" (1630 mm)	64" (1626 mm)	82.75" (2102 mm)	4" (102 mm)	1360	\$29,200.00
SUPER-2000-DECON	2,000 (7,570 litres)	111" (2820 mm)	64" (1630 mm)	85 1/2" (2172 mm)	104.25" (2648mm)	4" (102 mm)	1460	\$38,600.00

SUFFIX	OPTIONAL VARIATIONS	PART NO.	LIST PRICE
-AK	Anchor kit for all SuperMax interceptors	SUPER*-AK-SET (* = Specify Size)	\$1,405.00
-C	Lid Extension - up to 44" high - (2 pieces included)	SUPER-EXT-44	\$1,264.00
-C	Lid Extension - up to 72" high - (2 pieces included)	SUPER-EXT-72	\$2,528.00
-C	Lid Extension - up to 94" high - (2 pieces included)	SUPER-EXT-94	\$3,792.00
-DI	Ductile iron lid and collar - for all SuperMax interceptors (2 pcs. Included)	SM-MI-G-PL-LID-DI	\$2,000.00
-FL-C	Membrane clamp kit - for all SuperMax interceptors (2 pcs. Included)	SUPER-FLM (2 pcs. Included)	\$1,965.00
-F6	6" no hub inlet and outlet (flow rate of 700 GPM with 6" connections)	MI-G-PL-PF6 (2 pcs. required)	\$255.00
-F8	8" no hub inlet and outlet (flow rate of 1200 GPM with 8" connections) (not available for side inlets / outlets)	MI-G-PL-PF8 (2 pcs. required)	\$255.00
-HLA	High level alarm and float switch (to be installed on site) (for Lil Max, Big Max, SuperMax)	XL-MI-PL-HLA	\$2,700.00
-LHSI	No hub inlet on left hand side (not available with sediment bucket) (for Lil Max, Big Max, SuperMax)	MI-G-PL-PF4	\$73.00
-LHSO	No hub outlet on left hand side (not available with sediment bucket) (for Lil Max, Big Max, SuperMax)	MI-G-PL-PF4	\$73.00
-O	Optional 4" no hub outlet connection	Contact MIFAB®	\$262.00
-POK	Remote pump out kit (specify location and number required)	SUPER-MAX-POK	\$261.00
-RHSI	No hub inlet on right hand side (not available with sediment bucket) (for Lil Max, Big Max, SuperMax)	MI-G-PL-PF4	\$73.00
-RHSO	No hub outlet on right hand side (not available with sediment bucket) (for Lil Max, Big Max, SuperMax)	MI-G-PL-PF4	\$73.00
-RPO	4" Remote pump outlet connections on top of interceptor - specify location and number required	SUPER-MAX-RPO	\$126.00
-SP	External sampling port - inline, high connections	SUPER-SP	\$2,115.00
-SP-L	External sampling port - inline, low connections	SUPER-SP-L	\$2,115.00
-SP-OF	External sampling port - offset	SUPER-SP-OF	\$2,115.00
-T	Female threaded connections - 4" (2 pcs. Included)	MI-G-PL-PF4T	\$150.00

CALIFORNIA PROPOSITION 65 WARNING. This product contains chemicals known to the State of California to cause cancer and birth defects or other reproductive harm.

Design and dimensions are subject to modification. Prices do not include applicable taxes.

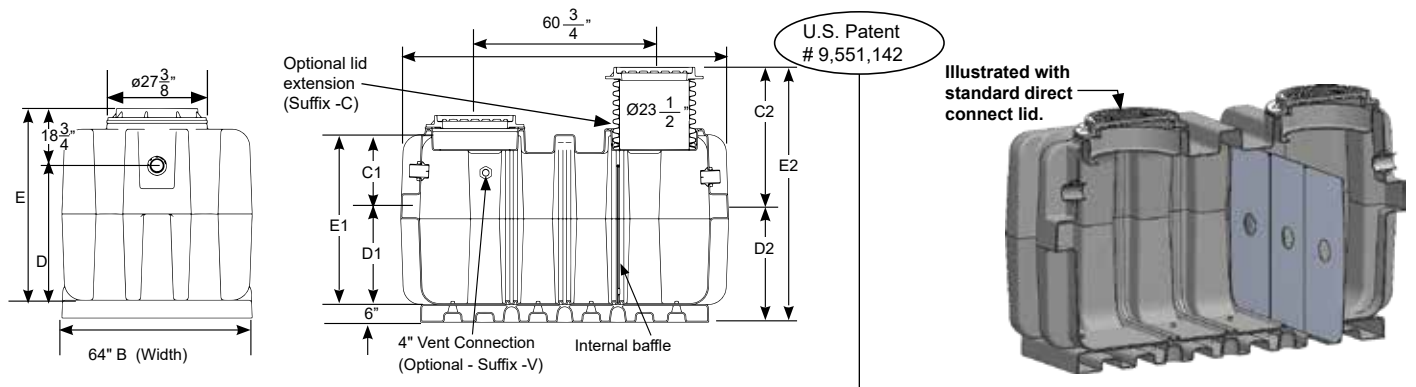
Visit www.mifab.com for the most recent product information.

Specification: MIFAB® Series SUPER-(specify size)-S gravity solids interceptor with liquid holding capacity of _____ (indicate), limited lifetime warranty and is made in the U.S.A. out of seamless, rotationally molded High Density Polyethylene with 3/8" uniform wall thickness. Interceptor is designed for above or below ground installation (the 2000 gallon model can only be installed below ground) and includes extension pipe gasket for ADS 24N12 (pipe not included) for the adjustable lid system, solids retention baffle with elevated 3" diameter passageway, sample port access, deep seal trap covered by lid, internal air relief by-pass, base for support and floor level installation and 4" no hub inlet and outlet connections. Steel encased composite lids provide a water / gas tight seal and have a minimum of 20,000 LB. load capacity – in accordance with the loading requirements of AASHTO H20. The high density polyethylene material is PE 3135 from Dow 9.39 with a density of 0.939 g/cm3.

Function: Solids interceptors are required anywhere that solids may be introduced into the public sewer system in applications such as: barber shops, dentist offices, salons, artist studios, laundry facilities, machine shops, food waste, parking lots, car washes, food processing, livestock and agricultural drainage. These wastes must be separated before entering the sewer system. Ideally installed between the fixtures and the grease interceptor in restaurants, kitchens, institution industrial facilities such as food processing and packaging plants and other types of food processing areas where fat, oil and grease (FOG) drains with the waste water. Sediment and debris are collected inside of the internal sediment bucket to ensure that this matter does not clog the grease interceptor. High Density Polyethylene construction ensures a lightweight installation process. Regular maintenance is required to keep the interceptor functioning. All SuperMax interceptors can withstand a temperature of up to and including 180 degrees Fahrenheit.

"The unit went into the basement of 4 story building. We needed a solution for above ground mount and MIFAB had an easy answer. We purchased the SUPER-1000 and was able to pick it up locally the same day. The unit was unloaded off the delivery truck and within 10 minutes was set in place. The connections and installation was not complicated. Thanks to the Kliman and MIFAB team."

– Rick Buss, Owner, Buss Mechanical Plumbing, Sacramento, CA



Model	Flow Rate (GPM)	Liquid Holding Capacity (Gal./Cu.Ft.)	Solids Capacity (Gal./Cu.Ft.)	A	Width B	D Dim.	E Dim.	F Outlet Connection Size	Shipping Weight (Lbs.)	List Price
SUPER-500-S	250	539 / 72	270 / 36	111" (2820 mm)	64" (1630 mm)	26 1/4" (667 mm)	45" (1143 mm)	4" (102 mm)	1060	\$14,755.00
SUPER-750-S	250	772 / 103	386 / 52	111" (2820 mm)	64" (1630 mm)	34.88" (886 mm)	53.63" (1362 mm)	4" (102 mm)	1125	\$18,462.00
SUPER-1000-S	250	1015 / 135	508 / 68	111" (2820 mm)	64" (1630 mm)	45 1/4" (1149 mm)	64" (1630 mm)	4" (102 mm)	1185	\$24,952.00
SUPER-1250-S	250	1262 / 168	631 / 85	111" (2820 mm)	64" (1630 mm)	56 1/4" (1429 mm)	75" (1905 mm)	4" (102 mm)	1260	\$29,522.00
SUPER-1300-S	250	1312 / 175	656 / 88	111" (2820 mm)	64" (1630 mm)	56 1/4" (1429 mm)	75" (1905 mm)	4" (102 mm)	1260	\$29,522.00
SUPER-1500-S	250	1522 / 202	761 / 102	111" (2820 mm)	64" (1630 mm)	64" (1626 mm)	82.75" (2102 mm)	4" (102 mm)	1360	\$34,880.00
SUPER-2000-S	250	2022 / 269	1011 / 135	111" (2820 mm)	64" (1630 mm)	85 1/2" (2172 mm)	104.25" (2648 mm)	4" (102 mm)	1460	\$46,227.00

SUFFIX	OPTIONAL VARIATIONS	PART NO.	LIST PRICE
-AK	Anchor kit for all SuperMax interceptors	SUPER- [*] AK-SET ([*] = Specify Size)	\$1,405.00
-C	Lid Extension - up to 44" high - (2 pieces included)	SUPER-EXT-44	\$1,264.00
-C	Lid Extension - up to 72" high - (2 pieces included)	SUPER-EXT-72	\$2,528.00
-C	Lid Extension - up to 94" high - (2 pieces included)	SUPER-EXT-94	\$3,792.00
-DI	Ductile iron lid and collar - for all SuperMax interceptors (2 pcs. Included)	SM-MI-G-PL-LID-DI	\$2,000.00
-FL-C	Membrane clamp kit - for all SuperMax interceptors (2 pcs. Included)	SUPER-FLM (2 pcs. Included)	\$1,965.00
-F6	6" no hub inlet and outlet (flow rate of 700 GPM with 6" connections)	MI-G-PL-PF6 (2 pcs. required)	\$255.00
-F8	8" no hub inlet and outlet (flow rate of 1200 GPM with 8" connections) (not available for side inlets / outlets)	MI-G-PL-PF8 (2 pcs. required)	\$255.00
-LHSI	No hub inlet on left hand side (not available with sediment bucket) (for Lil Max, Big Max, SuperMax)	MI-G-PL-PF4	\$73.00
-LHSO	No hub outlet on left hand side (not available with sediment bucket) (for Lil Max, Big Max, SuperMax)	MI-G-PL-PF4	\$73.00
-POK	Remote pump out kit (specify location and number required)	XL-MI-PL- [*] POK ([*] = Specify Size)	\$261.00
-RHSI	No hub inlet on right hand side (not available with sediment bucket) (for Lil Max, Big Max, SuperMax)	MI-G-PL-PF4	\$73.00
-RHSO	No hub outlet on right hand side (not available with sediment bucket) (for Lil Max, Big Max, SuperMax)	MI-G-PL-PF4	\$73.00
-RPO	4" Remote pump outlet connections on top of interceptor - specify location and number required	SUPER-MAX-RPO	\$126.00
-SP	External sampling port - inline, high connections	SUPER-SP	\$2,115.00
-SP-L	External sampling port - inline, low connections	SUPER-SP-L	\$2,115.00
-SP-OF	External sampling port - offset	SUPER-SP-OF	\$2,115.00
-T	Female threaded connections - 4" (2 pcs. Included)	MI-G-PL-PF4T	\$150.00
-V	No hub vent connection - 4" - (specify number required and location - side and / or top) (2", 3" available - Specify -V2, -V3 - same price)	MI-G-PL-PF4	\$139.00

CALIFORNIA PROPOSITION 65 WARNING. This product contains chemicals known to the State of California to cause cancer and birth defects or other reproductive harm.

Design and dimensions are subject to modification. Prices do not include applicable taxes. Visit www.mifab.com for the most recent product information.

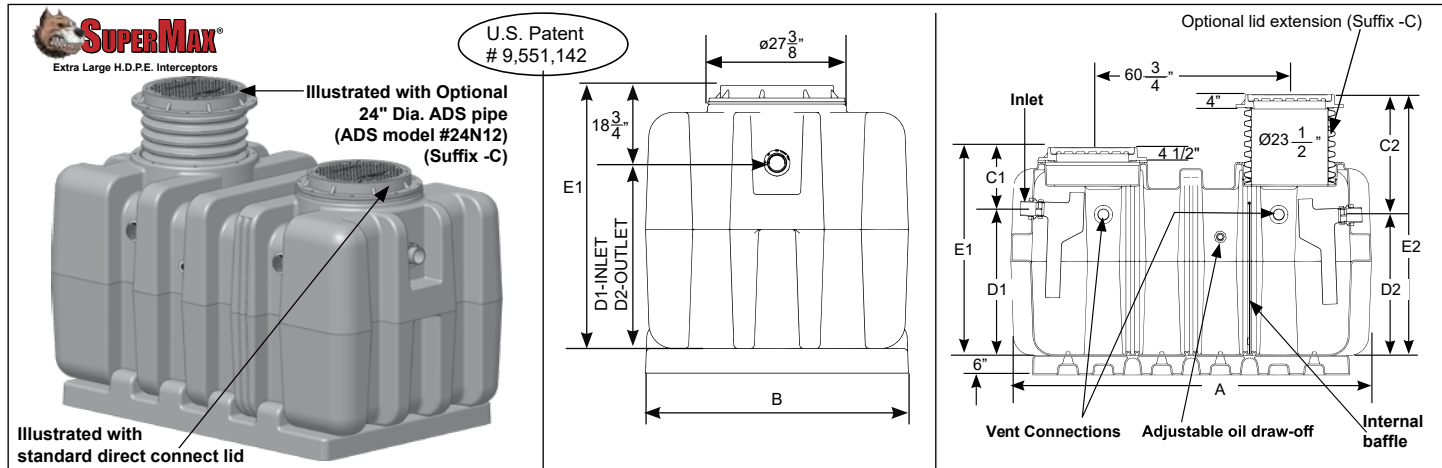
MIFAB®, Inc., 1321 West 119th Street, Chicago, Illinois 60643-5109, USA

USA Toll Free: 1-800-465-2736 • Fax: 1-773-341-3049
Canada Toll Free: 1-800-387-3880 • sales@mifab.com

All sales subject to MIFAB's® Terms and Conditions. Please refer to Page 106.

Specification: MIFAB® SUPER-(specify size)-O gravity oil interceptor with liquid holding capacity of _____ (indicate), limited lifetime warranty and is made in the U.S.A. out of seamless, rotationally molded High Density Polyethylene with 3/8" uniform wall thickness. Interceptor is designed for below ground installation and includes extension pipe gasket for ADS 24N12 (pipe not included) for the adjustable lid system, sample port access, internal baffle, deep seal trap covered by lid, internal air relief by-pass, adjustable oil draw-off assembly (1 1/2" I.P.S.) on each side, double vent connections (3" I.P.S.) on each side, stainless steel calibrated orifice plate (internal flow control), base for support and floor level installation and 4" no hub inlet and outlet connections. Steel encased composite lids provide a water / gas tight seal and have a minimum of 20,000 LB. load capacity – in accordance with the loading requirements of AASHTO H20. The high density polyethylene material is PE 3135 from Dow 9.39 with a density of 0.939 g/cm3.

Function: Oil interceptors are required anywhere oil and sand may be introduced to the public sewer system in applications such as: repair garages, oil change stations, car wash facilities, parking garages, parking lots, hydraulic elevator pits and facilities where oil and flammable liquid waste are produced as a result of manufacturing, storage, maintenance, repair or testing processes. The interceptor collects the oil before it is drained to an adjacent storage tank through an adjustable draw off system. Typically installed either on or into the floor. Regular maintenance is required to keep the interceptor functioning. All SuperMax gravity interceptors can withstand a temperature of up to and including 180 degrees Fahrenheit.



Model	Liquid Holding Capacity (Gallons / Cu. Ft.)	Oil Storage Holding Capacity (Gallons)	Sand Capacity (Gallons)	Flow Rate (GPM)	A	Width B	C' Dim.	C² Dim.	D' Dim.	D² Dim.	E' Dim.	E² Dim.	F Connection Size	Shipping Weight (Lbs.)	List Price (Oil Interceptor)	List Price (Holding Tank)
SUPER-500-O	539 / 72	310	102	250	111" / 2820mm	64" / 1630mm	18.75" / 476mm	37.25" / 946mm	26.25" / 667mm	24.25" / 616mm	45" / 1143mm	61.50" / 1562mm	4" 102mm	960	\$17,000.00	\$16,765.00
SUPER-750-O	772 / 103	413	316	250	111" / 2820mm	64" / 1630mm	18.75" / 476mm	37.25" / 946mm	34.88" / 886mm	32.88" / 835mm	53.63" / 1362mm	70.13" / 1781mm	4" 102mm	1,025	\$18,300.00	\$17,710.00
SUPER-1000-O	1,015 / 135	458	352	250	111" / 2820mm	64" / 1630mm	18.75" / 476mm	37.25" / 946mm	45.25" / 1149mm	43.25" / 1099mm	64" / 1626mm	80.50" / 2045mm	4" 102mm	1,085	\$21,400.00	\$21,185.00
SUPER-1250-O	1,262 / 168	569	438	250	111" / 2820mm	64" / 1630mm	18.75" / 476mm	37.25" / 946mm	56.25" / 1429mm	54.25" / 1378mm	75" / 1905mm	91.50" / 2324mm	4" 102mm	1,160	\$28,562.00	\$28,347.00
SUPER-1300-O	1,312 / 175	592	455	250	111" / 2820mm	64" / 1630mm	18.75" / 476mm	37.25" / 946mm	56.25" / 1429mm	54.25" / 1378mm	75" / 1905mm	91.50" / 2324mm	4" 102mm	1,160	\$28,562.00	\$28,347.00
SUPER-1500-O	1,522 / 202	624	493	250	111" / 2820mm	64" / 1630mm	18.75" / 476mm	37.25" / 946mm	64" / 1626mm	62" / 1575mm	82.75" / 2102mm	99.25" / 2521mm	4" 102mm	1,260	\$29,200.00	\$28,972.00
SUPER-2000-O	2,022 / 269	829	655	250	111" / 2820mm	64" / 1630mm	18.75" / 476mm	37.25" / 946mm	85.50" / 2172mm	83.50" / 2121mm	104.25" / 2648mm	120" / 3048mm	4" 102mm	1,350	\$38,600.00	\$38,400.00

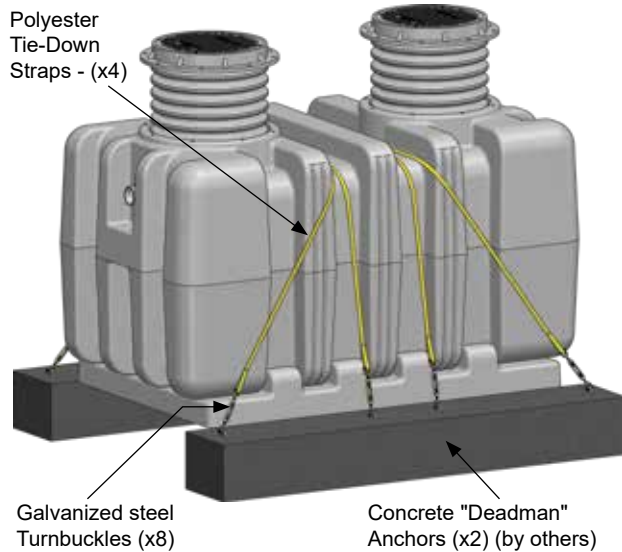
SUFFIX	OPTIONAL VARIATIONS	PART NO.	LIST PRICE
-AK	Anchor kit for all SuperMax interceptors	SUPER-*-AK-SET (* = Specify Size)	\$1,405.00
-C	Lid Extension - up to 44" high - (2 pieces included)	SUPER-EXT-44	\$1,264.00
-C	Lid Extension - up to 72" high - (2 pieces included)	SUPER-EXT-72	\$2,528.00
-C	Lid Extension - up to 94" high - (2 pieces included)	SUPER-EXT-94	\$3,792.00
-COA	Coalescer pack	SUPER-*-COA	\$2,924.00
-DI	Ductile iron lid and collar - for all SuperMax interceptors (2 pcs. Included)	SM-MI-G-PL-LID-DI	\$2,000.00
-FL-C	Membrane clamp kit - for all SuperMax interceptors (2 pcs. Included)	SUPER-FLM (2 pcs. Included)	\$1,965.00
-F6	6" no hub inlet and outlet (flow rate of 700 GPM with 6" connections)	MI-G-PL-PF6 (2 pcs. required)	\$255.00
-F8	8" no hub inlet and outlet (flow rate of 1200 GPM with 8" connections) (not available for side inlets / outlets)	MI-G-PL-PF8 (2 pcs. required)	\$255.00
-HLA	High level alarm and float switch (to be installed on site) (for Lil Max, Big Max, SuperMax)	XL-MI-PL-HLA	\$2,700.00
-HT	Holding Tank		See Above
-LHSI	No hub inlet on left hand side (not available with sediment bucket) (for Lil Max, Big Max, SuperMax)	MI-G-PL-PF4	\$73.00
-LHSO	No hub outlet on left hand side (not available with sediment bucket) (for Lil Max, Big Max, SuperMax)	MI-G-PL-PF4	\$73.00
-POK	Remote pump out kit (specify location and number required)	SUPER-MAX-POK	\$261.00
-RHSI	No hub inlet on right hand side (not available with sediment bucket) (for Lil Max, Big Max, SuperMax)	MI-G-PL-PF4	\$73.00
-RHSO	No hub outlet on right hand side (not available with sediment bucket) (for Lil Max, Big Max, SuperMax)	MI-G-PL-PF4	\$73.00
-RPO	4" Remote pump outlet connections on top of interceptor - specify location and number required	SUPER-MAX-RPO	\$126.00
-SB	Sediment bucket - for all SuperMax interceptors	SUPER-*-PSB (* = Specify Size)	\$1,896.00
-SP	External sampling port - inline, high connections	SUPER-SP	\$2,115.00
-SP-L	External sampling port - inline, low connections	SUPER-SP-L	\$2,115.00
-SP-OF	External sampling port - offset	SUPER-SP-OF	\$2,115.00
-SST	Fire resistant fabricated stainless steel interceptor	Contact MIFAB®	Contact MIFAB®
-ST	Fire resistant fabricated 10 gauge powder epoxy coated steel interceptor	Contact MIFAB®	Contact MIFAB®
-T	Female threaded connections - 4" (2 pcs. Included)	MI-G-PL-PF4T	\$150.00
-V	No hub vent connection - 4" - (specify number required and location - side and / or top) (2", 3" available - Specify -V2, -V3 - same price)	MI-G-PL-PF4	\$139.00

CALIFORNIA PROPOSITION 65 WARNING. This product contains chemicals known to the State of California to cause cancer and birth defects or other reproductive harm.

Design and dimensions are subject to modification. Prices do not include applicable taxes. Visit www.mifab.com for the most recent product information.



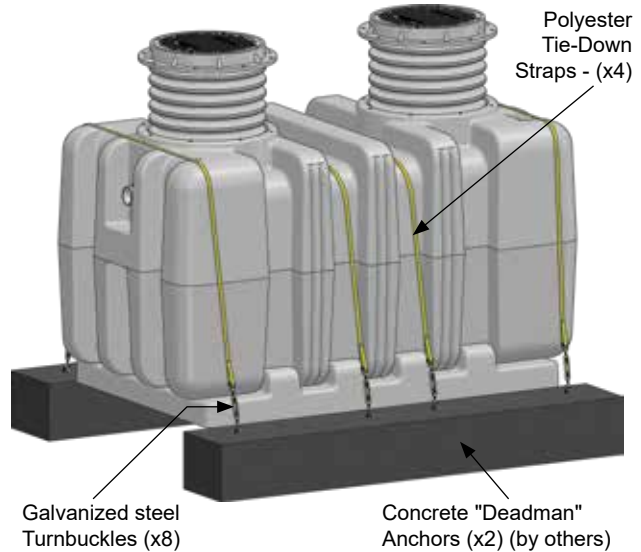
SUPER-500-AK-SET-2



The SUPER-500-AK-SET-2 is used when greater hold down strength is required. The polyester tie-down straps and turnbuckles are rated at 2,200 lbs. working load each.

List Price of \$1,405.00

SUPER-500-AK-SET-3



The SUPER-500-AK-SET-3 is used when greater hold down strength is required. The polyester tie-down straps are rated at 4,000 lbs. working load each and the turnbuckles are rated at 5,200 lbs., each.

List Price of \$1,405.00

"Some local jurisdictions require different modifications for plastic interceptors going below grade and MIFAB has the capabilities and design team to custom any order within a timely manner."

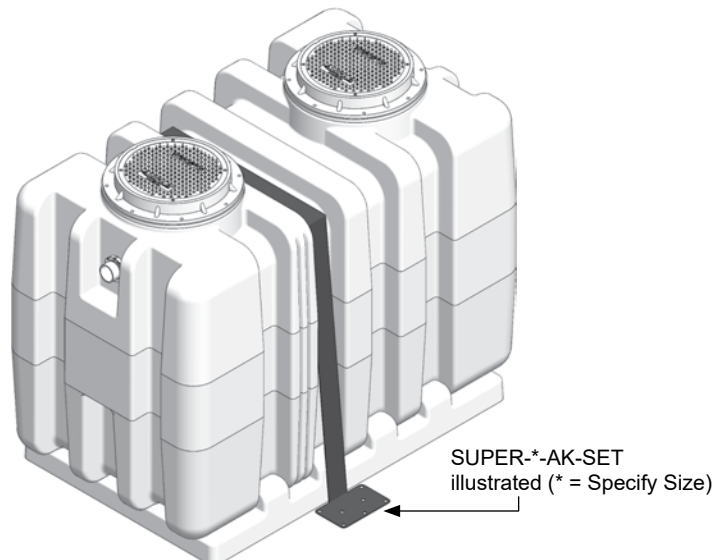
– Adam Christensen, Principal, Service Reps, Omaha, NE

ANCHOR KIT

The Anchor Kit is used to secure the interceptor to a slab or to prevent buoyancy in a high water table. (Suffix -AK)

This is the anchor kit that is offered in the Optional Variations section on pages 69 - 85.

Note: All of the anchor kits offered on this page are available for any size and model of SuperMax interceptor. Contact MIFAB for model numbers and pricing.



CALIFORNIA PROPOSITION 65 WARNING. This product contains chemicals known to the State of California to cause cancer and birth defects or other reproductive harm.

Design and dimensions are subject to modification. Prices do not include applicable taxes. Visit www.mifab.com for the most recent product information.

MIFAB®, Inc., 1321 West 119th Street, Chicago, Illinois 60643-5109, USA
All sales subject to MIFAB's® Terms and Conditions. Please refer to Page 106.

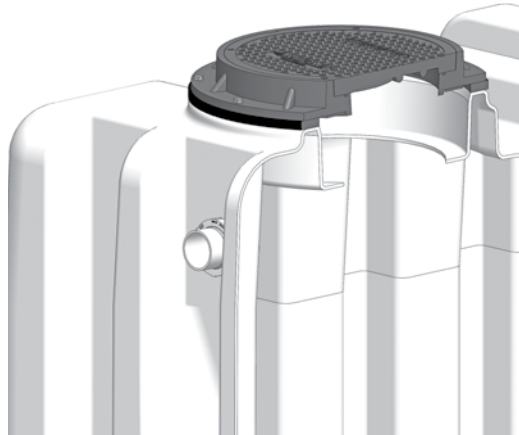
USA Toll Free: 1-800-465-2736 • Fax: 1-773-341-3049
Canada Toll Free: 1-800-387-3880 • sales@mifab.com



DIRECT CONNECT LID - STANDARD

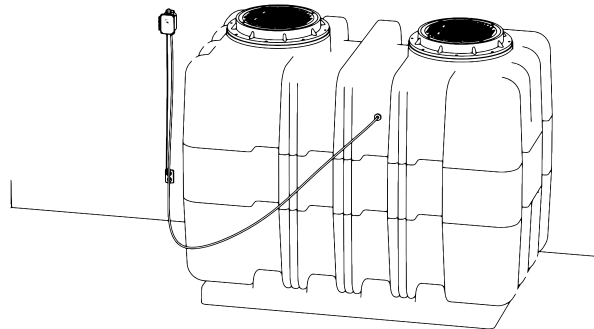
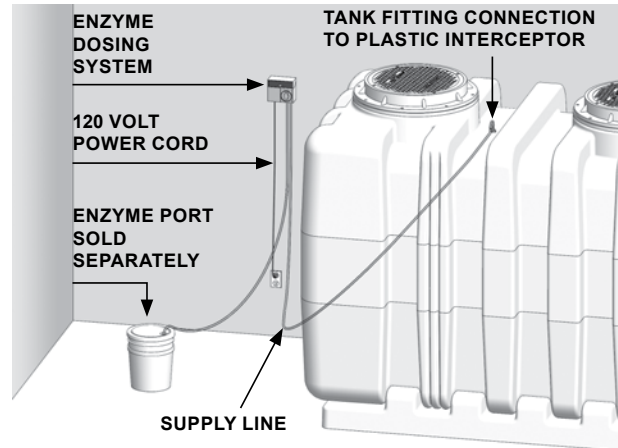
MIFAB's SuperMax interceptors are shipped standard with the direct connect lid system. The lid is bolted directly to the top of the SuperMax®. A gasket is supplied to install between the top of the interceptor and the underside of the lid.

The direct connect gasket (part # SUPER-PCG) and hardware (part # HS-26) are shipped standard with every SuperMax interceptor (two of each).



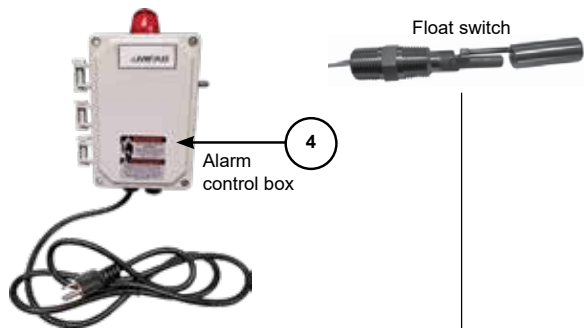
ENZYME DOSING PUMP SYSTEM – SUFFIX -DS

The purpose of the enzyme dosing pump is to release grease and bacteria eating enzymes into the grease interceptor to consume the accumulated grease. The enzyme dosing pump can be ordered with any MIFAB grease interceptor. It is ideal for grease interceptors that are located in high volume kitchens. The enzyme dosing pump system includes a 120 volt automatic dosing pump with a programmable 24 hour timer and dosage run time. The system also includes 15' of poly tubing.

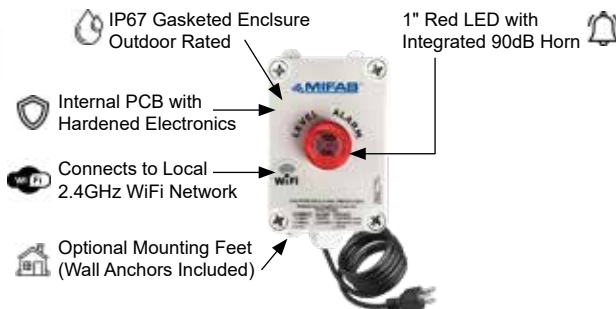


HIGH LEVEL ALARM The purpose of the High Level Alarm is to monitor and send an audible and visual alarm when the interceptor's grease or oil capacity is approximately 75% full. (Specify suffix -HLA) High level alarm systems can be installed on any MIFAB® grease or oil interceptors to allow the owner to monitor grease and oil levels. This permits the interceptor to be maintained when required.

The -HLA option includes an alarm control box that is weatherproof rated NEMA 4/4X, 6' 120VAC Power Cord, 360° viewable alarm light, 85 dB @ 10' solid tone alarm and a silence and test button that is to be mounted to the nearest structure. It also includes a float switch that is mounted inside the interceptor for oil or grease level detection and is connected to the alarm control box. Note that the the alarm control box and float switch are not installed at the MIFAB factory. They need to be installed on site.



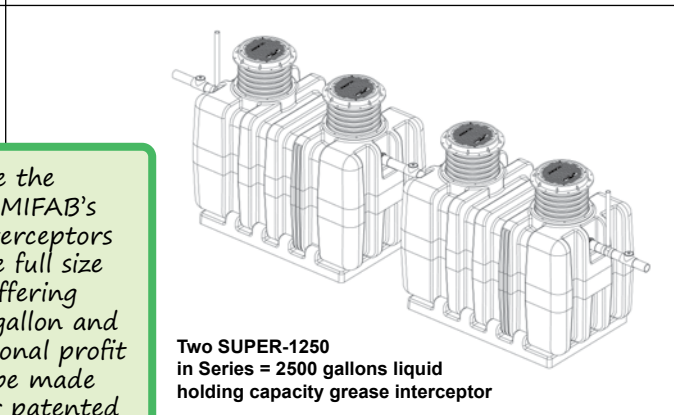
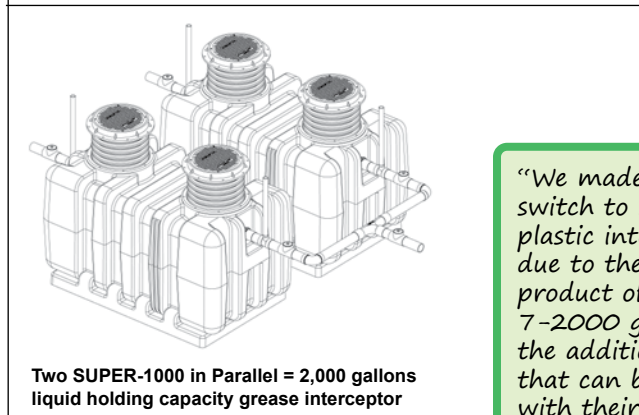
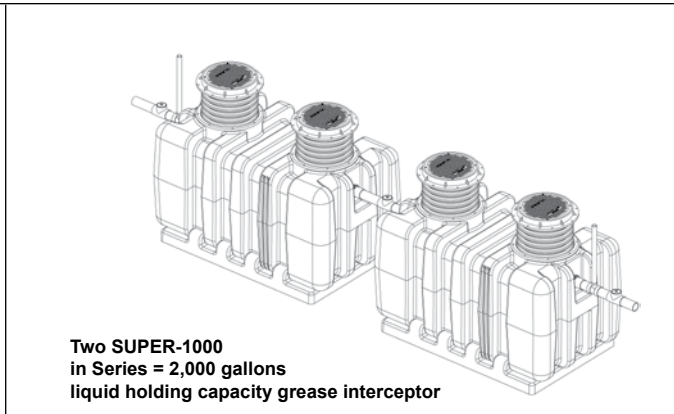
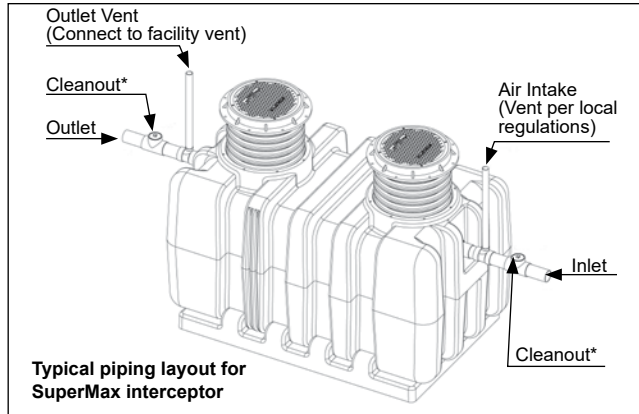
High Level Alarm Illustrated (Specify suffix -HLA)



Wifi capability is available with the -HLA. Go to the www.mifab.com website for wifi set up procedures. (Specify suffix -HLA-wifi)

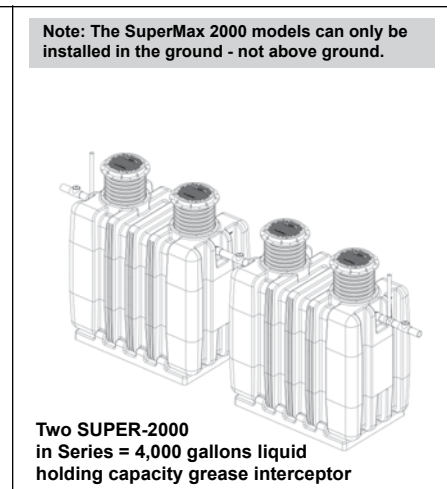
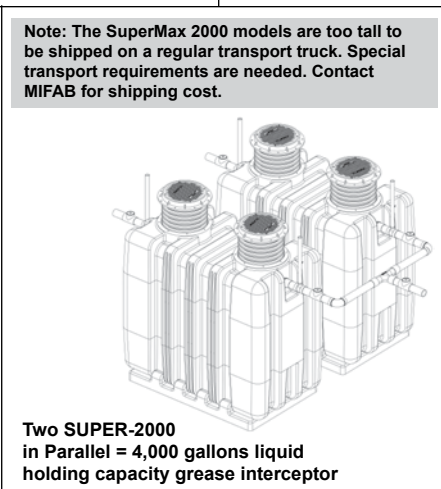
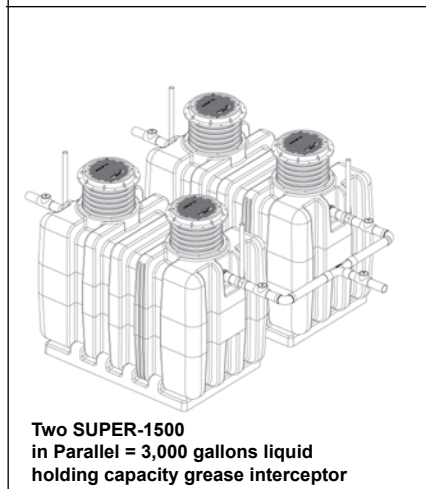
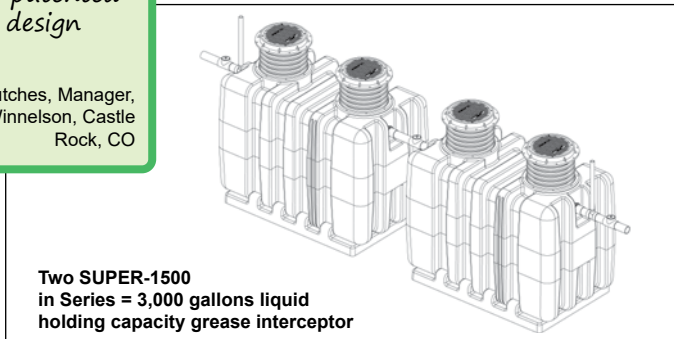
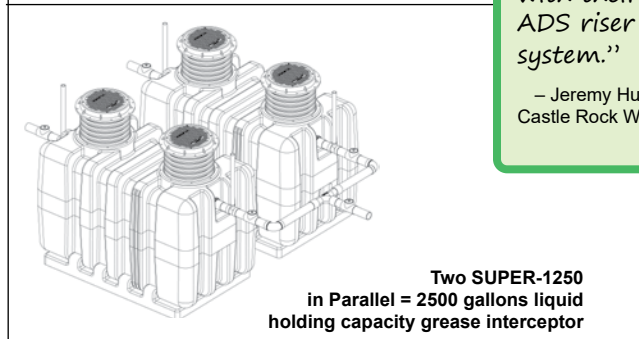
CALIFORNIA PROPOSITION 65 WARNING. This product contains chemicals known to the State of California to cause cancer and birth defects or other reproductive harm.

SuperMax® gravity Interceptors may be used in any number of different combinations to properly service the application.



“We made the switch to MIFAB’s plastic interceptors due to the full size product offering 7-2000 gallon and the additional profit that can be made with their patented ADS riser design system.”

– Jeremy Hutches, Manager, Castle Rock Winnelson, Castle Rock, CO



Note: The SuperMax 2000 models are too tall to be shipped on a regular transport truck. Special transport requirements are needed. Contact MIFAB for shipping cost.

Note: The SuperMax 2000 models can only be installed in the ground - not above ground.

*** Please see MIFAB® website for other combinations**

CALIFORNIA PROPOSITION 65 WARNING. This product contains chemicals known to the State of California to cause cancer and birth defects or other reproductive harm.

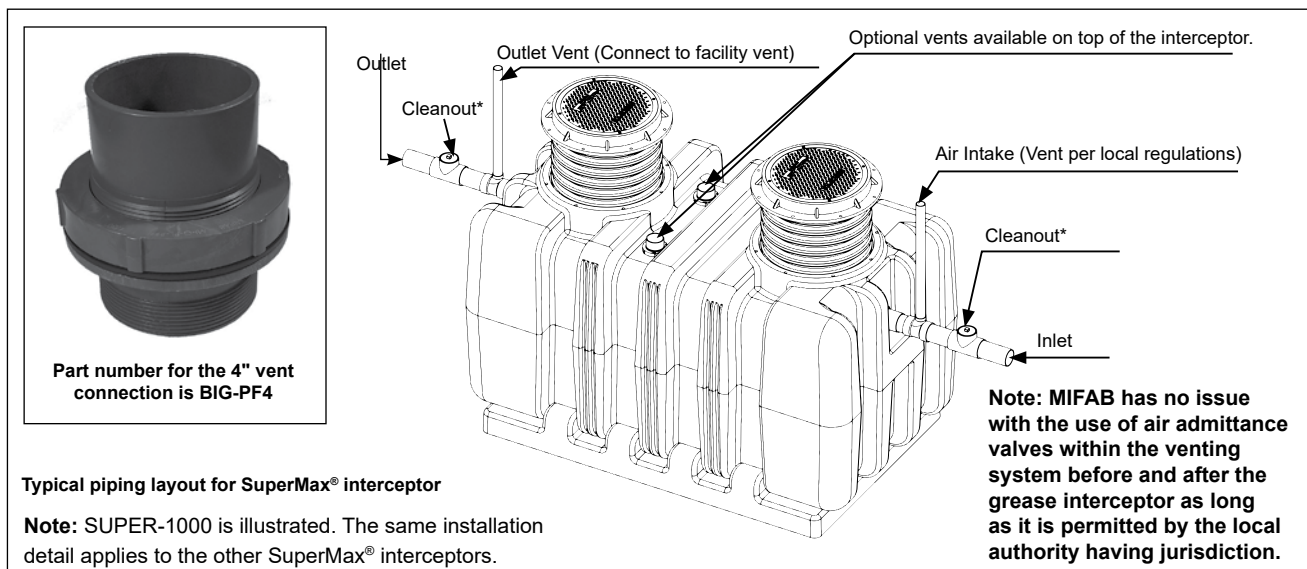
Design and dimensions are subject to modification. Prices do not include applicable taxes. Visit www.mifab.com for the most recent product information.

MIFAB®, Inc., 1321 West 119th Street, Chicago, Illinois 60643-5109, USA
All sales subject to MIFAB’s® Terms and Conditions. Please refer to Page 106.

USA Toll Free: 1-800-465-2736 • Fax: 1-773-341-3049
Canada Toll Free: 1-800-387-3880 • sales@mifab.com

Venting of the SuperMax® gravity interceptor is recommended by MIFAB® and required for indoor installations.

- Vent the SuperMax® grease interceptor on the inlet side. It is also recommended to vent the outlet side of the SuperMax® grease interceptor right after the outlet.



INTERCEPTOR PLACEMENT

The interceptor should be visible and easily accessible for maintenance and inspection. The SUPER-500 model can be installed in a basement, suspended from a ceiling or in-ground in an exterior location. Ensure that adequate room is provided around the interceptor to allow easy access for a pump truck operator. Ensure that the height above the SUPER-500 model access cover is enough to properly service the interceptor.

INLET/OUTLET PIPING

The inlet and outlet piping connections require no hub pipe couplings. (See MIFAB®'s MI-HUB Series of no hub couplings.) Keep outlet piping as straight as possible. MIFAB® recommends installation of 4" (102 mm) cleanouts on both the Inlet and Outlet of 4" for the SuperMax® Interceptors and Solids Interceptors in accordance with all applicable laws, regulations and codes. Use only "sweep" connections. Do not reduce the pipe sizing on the outlet piping. Do not install a "P" trap on the outlet connection of system. (Note: The system already has an internal gas trap.)

RECOMMENDED EXCAVATION, BACKFILLING, AND FINISHING FOR FOR THE SUPERMAX® INTERCEPTORS

- Install the interceptor(s) as close as practical to the fixtures being served.
- The excavation must be a minimum of 18" greater on all sides of the tank.
- The depth of the excavation must be greater than 12" on the bottom of the interceptor.
- Fill the interceptor with water prior to backfilling in order to prevent the interceptor from floating.
- Fully install the double wall corrugated pipe and lid prior to backfilling.
- Concrete or finishing material requirements are to be determined by the specifying engineer.
- Encase the interceptor in well-packed ¾" rock, or sand. Do not compact backfill around interceptor.
- To prevent float out: the Anchor kit is recommended for installations in high water table conditions. This is to be determined by the specifying engineer.

FLOW CONTROLS

The SUPER-500 model interceptors are supplied with a stainless steel calibrated orifice plate (internal flow control). An external, vented, flow control fitting is required to be installed before the inlet of the grease interceptor to meet the P.D.I. G-101 for the SUPER-500 model.

VENTING THE OUTLET

An outlet vent or approved air admittance valve of at least 1/2 the diameter of the interceptor's outlet connection must be installed as close as possible to the SuperMax® outlet to prevent possible siphonage problems. The vent on the outlet piping is to be installed in accordance with all applicable laws, regulations and codes. Failure to provide a vent for the interceptor voids MIFAB® Warranty for the system.

"MIFABs SUPER-2000 is the only 2,000 gallon interceptor approved on the market today making sizing vs. concrete units much easier and simple to install."

– Kevin Shimmin, Manager, Ferguson, Duluth, MN

Note: Drawings are for reference only. Equipment must be installed in compliance with all applicable laws, regulations and codes, including plumbing codes. Installation should be done by a licensed plumber.

CALIFORNIA PROPOSITION 65 WARNING. This product contains chemicals known to the State of California to cause cancer and birth defects or other reproductive harm.

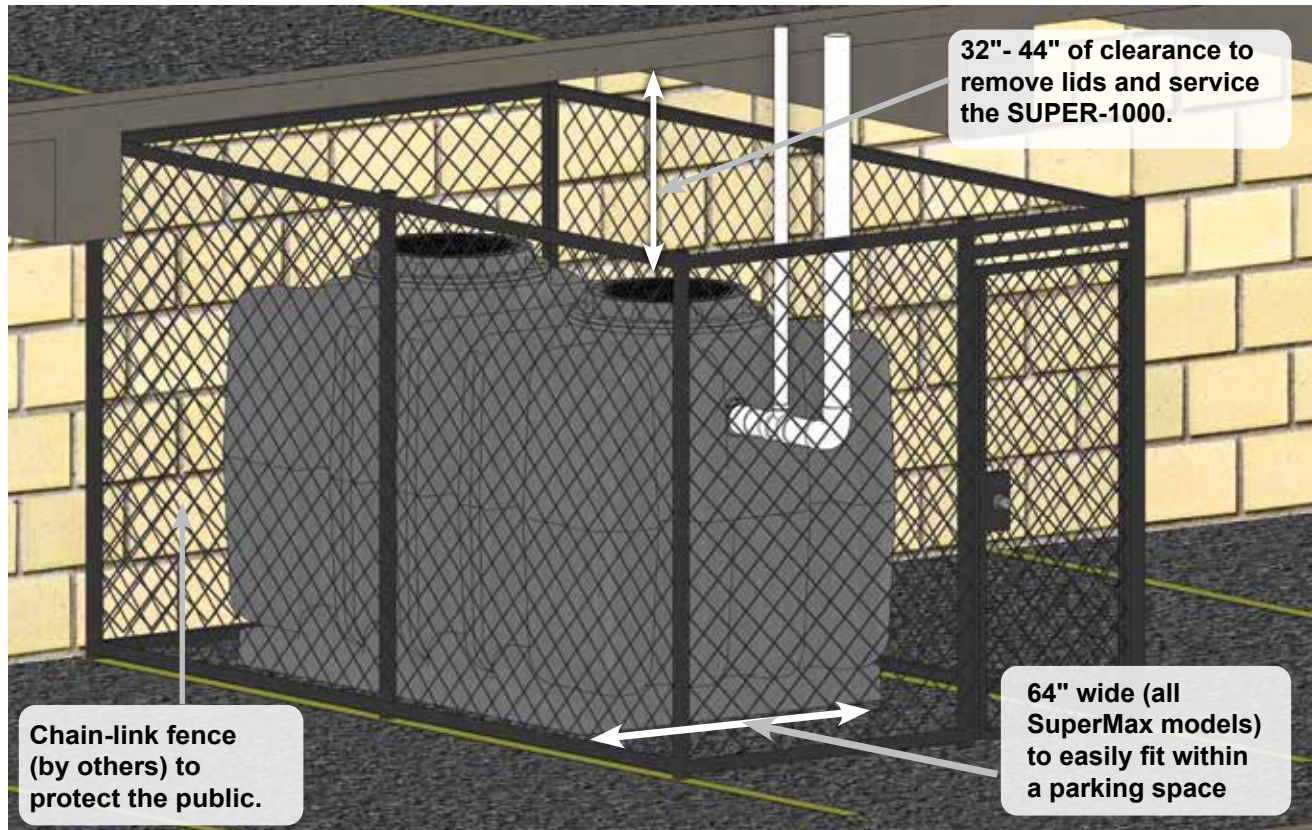
Design and dimensions are subject to modification. Prices do not include applicable taxes. Visit www.mifab.com for the most recent product information.



SUPERMAX Gravity Grease Interceptors installed in a Parking Garage

In urban locations, there is often not enough space outside of the building to locate the grease interceptor. Therefore, many specifiers will locate the grease interceptor inside of the building; in a parking space or mechanical room. MIFAB has designed the SuperMax grease interceptors to have a consistent width of 64" and a consistent length of 111" regardless of their size (this applies to our 500, 750, 1000, 1250, 1300, 1500 and 2000 liquid holding capacity models). Most parking spots are 100" wide and 16 feet long; providing ample room for the SuperMax to fit.

Parallel Tank Installation Note: 2 parking stalls at 100" minimum width equals 200" minus two SuperMax grease interceptors at 64" wide each leaves 72", which when divided by three equals 24" of clear space on the outside of each interceptor and also in between them. These two interceptors could then be chain-link fenced to protect the public, and still fit nearly within two parking spaces.



The typical Building Code requirement for interior height of parking lots is 84" for regular and other accessible spaces and 98" for van accessible parking. "All parking garages shall have an unobstructed headroom clearance of not less than 7' feet (84") above the finished floor to any ceiling, beam, pipe or similar obstruction." City of Los Angeles Municipal Code 12.21A5. The depth of the ceiling beams can vary greatly and are somewhat proportional to their distance apart. The beam depth is often added to the overall height if the SuperMax can be positioned between the beams.

A typical parking garage with 84" of vehicular clearance along with 12" to 18" of ceiling beam depth provides from 102" to 114" from floor to ceiling between the beams. Following are the heights of the larger SuperMax gravity grease interceptors:

- 1) **SUPER-1000** – 70" high including the 6" high base, leaving 32" to 44" of space (respectively) to open the lids and service the interceptor. This is optimal and parallel tanks can double the capacity to 2,000 gallons.
- 2) **SUPER-1300** – 81" high including the 6" high base, leaving 21" to 33" of space (respectively). This also provides enough room for servicing and parallel tanks can double the capacity to 2,600 gallons.
- 3) **SUPER-1500** – 88.75" high including the 6" high base, leaving only 13" to 25" of crawlspace (respectively). Some Building Department Plan-Check and Permitting Inspectors have commented that using 20" as a minimum space based on IAPMO / ANSI Z1001 Section 4.4.2 which requires a 20" diameter I.D. minimum opening. However, that is extremely tight and likely to lead to improperly suctioned tanks, bad odors and potential clogging problems.

CALIFORNIA PROPOSITION 65 WARNING. This product contains chemicals known to the State of California to cause cancer and birth defects or other reproductive harm.

Design and dimensions are subject to modification. Prices do not include applicable taxes.

Visit www.mifab.com for the most recent product information.

MIFAB®, Inc., 1321 West 119th Street, Chicago, Illinois 60643-5109, USA

All sales subject to MIFAB's® Terms and Conditions. Please refer to Page 106.

USA Toll Free: 1-800-465-2736 • Fax: 1-773-341-3049

Canada Toll Free: 1-800-387-3880 • sales@mifab.com

Function: The MIFAB Series of MI-NEUT acid neutralization tanks are engineered to intercept and then dilute and neutralize hazardous chemicals before discharging them into the public drainage system.

The incoming wastewater is directed through the inlet into the bottom of the MI-NEUT acid neutralization tank. The wastewater passes through limestone chips inside of the tank as it flows to the outlet. The calcium carbonate in the limestone chips reacts with the acids in the wastewater to form harmless neutral salts, water and carbon dioxide. The neutralized salts are transformed into sludge and settle to the bottom of the tank. Carbon dioxide gas mixes with water to form carbonic acid, which helps neutralize alkaline wastes. The water helps to dilute the acidic, alkaline and solvent wastes. The wastewater, now neutralized, flows through the outlet and into the public drainage system.

Sizing: Local and National Plumbing Codes have different ways of sizing acid neutralization tanks. It is recommended to consult with the Code Officials in your area for their sizing requirements. The most common sizing method is to calculate the number of laboratory sinks draining into the acid neutralization tank and then choosing a corresponding acid neutralization tank to handle the flow from these sinks. (see Sizing Table below)

"I consider them my friends! We support each other like friends or family."

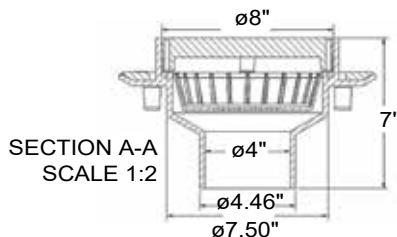
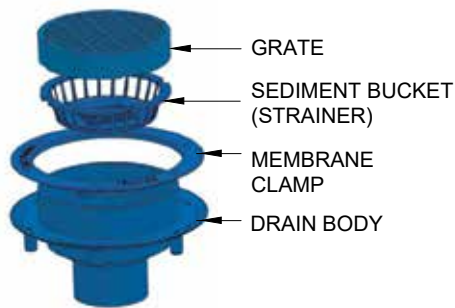
– Joe Fick of Grumman Butkus, Consulting Engineers, Chicago, IL

Number of Laboratory Sinks	1	2	4	8	16	22	27	30	40	50	60	75	110	150	175	200	300	500	600
Acid Neutralization Tank Size in Gallon Capacity	2	5	15	30	55	75	90	108	150	175	200	275	360	500	550	650	1100	2000	3000
(in Litres Capacity)	7.56	18.90	56.80	113.60	208.20	283.90	340.70	408.80	567.80	662.40	757.00	1040.90	1362.60	1898.50	2081.80	2460.30	4542.00	7570.00	11355.00

ACID WASTE SYSTEM ACCESSORIES

ACID RESISTANT POLYPROPYLENE FLOOR DRAIN

MI-PP-7751



BOTTLE JAR TAPS

MI-PP-27-T



REMOVABLE PINT-SIZED CLEANOUT JAR WITH O-RING SEAL

MI-PP-42-T



REMOVABLE QUART-SIZED CLEANOUT JAR WITH O-RING SEAL

ADJUSTABLE TAILPIECE WITH FEMALE IPS THREADED INLET. (ADJUSTS IN HEIGHT AND ROTATES 360 DEGREES.)

COMPRESSION NUT WITH GASKET 1 1/2" MALE IPS THREADED OUTLET

Model	List Price
MI-PP-7751	\$900.00
MI-PP-27-T	\$200.00
MI-PP-42-T	\$390.00

CALIFORNIA PROPOSITION 65 WARNING. This product contains chemicals known to the State of California to cause cancer and birth defects or other reproductive harm.

MIFAB Series MI-NEUT solid construction high density polyethylene, seamless construction body with inlet and outlet, optional vent connections, H.D.P.E. bolted down gasketed lid, stainless steel hardware. Neutralization tanks are used in laboratories, industrial processes or other polluting sources to dilute and neutralize harmful wastes that may be discharged. Limestone chips are required to be placed inside of the acid neutralization tank and can be purchased separately from MIFAB.

MODEL NO.	GALLON CAPACITY	ACTUAL APPROX. GALLON CAPACITY WITHOUT LIMESTONE CHIPS	USABLE CAPACITY, GALLONS With Limestone Chips	INTERNAL DIMENSIONS (In.) A - Diameter B - Height	WALL THICKNESS (In.)	APPROX. WEIGHT (Lbs.)	INLET / OUTLET CONNECTION SIZES (In.) (E)	STANDARD FITTING CONNECTIONS	STANDARD FITTING CONNECTIONS		APPROX AMOUNT OF LIMESTONE CHIPS (LBS.)	LIST PRICE
									INLET (C)	OUTLET (D)		
MI-NEUT-15	15	7	2	18 X 15	3/16	20	2"	PLAIN END	11"	8"	100 lbs.	\$1,400.00
MI-NEUT-30	30	19	6	18 X 29	3/16	35	3"	PLAIN END	23"	19"	200 lbs.	\$1,700.00
MI-NEUT-55	55	35	12	22 X 36	3/16	50	4"	PLAIN END	27"	23"	500 lbs.	\$2,700.00
MI-NEUT-100	100	77	26	28 X 42	1/4	85	4"	PLAIN END	35"	31"	1,000 lbs.	\$3,318.00
MI-NEUT-150	150	105	35	31 X 48	1/4	100	4"	PLAIN END	38"	34"	1,750 lbs.	\$3,700.00
MI-NEUT-175	175	135	45	30 X 60	1/4	125	4"	PLAIN END	51"	47"	2,100 lbs.	\$5,838.00
MI-NEUT-200	200	137	46	36 X 48	1/4	125	6"	PLAIN END	35"	34"	2,500 lbs.	\$6,374.00
MI-NEUT-275	275	186	62	42 X 48	1/4	160	6"	PLAIN END	35"	34"	3,200 lbs.	\$6,800.00
MI-NEUT-350	350	243	81	48 X 48	5/16	200	6"	PLAIN END	38"	34"	4,000 lbs.	\$8,715.00
MI-NEUT-500	500	395	132	52 X 60	3/8	225	6"	PLAIN END	51"	47"	5,000 lbs.	\$16,100.00
MI-NEUT-550	550	447	149	48 X 72	3/8	275	6"	PLAIN END	64"	60"	5,500 lbs.	\$16,500.00
MI-NEUT-650	650	548	183	48 X 84	3/8	375	6"	PLAIN END	75"	71"	6,500 lbs.	\$17,000.00
MI-NEUT-700	700	565	188	55 X 70	3/8	450	6"	PLAIN END	62"	58"	7,000 lbs.	\$17,500.00
MI-NEUT-800	800	612	204	60 X 66	3/8	500	6"	PLAIN END	57"	53"	8,000 lbs.	\$18,300.00
MI-NEUT-1000	1000	844	281	66 X 72	3/8	550	6"	PLAIN END	64"	60"	10,000 lbs.	\$21,400.00
MI-NEUT-1100	1100	894	298	60 X 90	3/8	575	6"	PLAIN END	80"	76"	11,000 lbs.	\$24,507.00
MI-NEUT-1200	1200	1052	351	69 X 84	3/8	600	6"	PLAIN END	74"	68"	12,000 lbs.	\$26,906.00
MI-NEUT-2000	2000	1559	512	82 X 90	1/2	850	6"	PLAIN END	75"	68"	20,000 lbs.	\$38,600.00

SUFFIX	OPTIONAL VARIATIONS	PART NO.	LIST PRICE
-ANH	4" No Hub connections	Contact MIFAB	\$105.00
-4FL	4" Flanged connections	Contact MIFAB	\$284.00
-E	Extension (Specify Height)	Contact MIFAB	Contact MIFAB
-LSC	Limestone chips (50 lb. bag)	MI-LSC	\$110.00
-O	Optional angle outlet connection (Specify size and location)	Contact MIFAB	\$221.00
-SBX	See page 103	Contact MIFAB	Contact MIFAB
-TF15	1 1/2" Female threaded N.P.T. connections	Contact MIFAB	\$71.00
-TF2	2" Female threaded N.P.T. connections	Contact MIFAB	\$71.00
-TM3	3" Male threaded N.P.T. connections	Contact MIFAB	\$105.00
-TM4	4" Male threaded N.P.T. connections	Contact MIFAB	\$105.00
-V	2" No hub vent connection (Specify size and location)	MI-G-PL-PF4	\$135.00

Note: For commercial and industrial laboratories, the number of laboratory sinks should be multiplied by a .50 use factor.

LIMESTONE CHIPS:

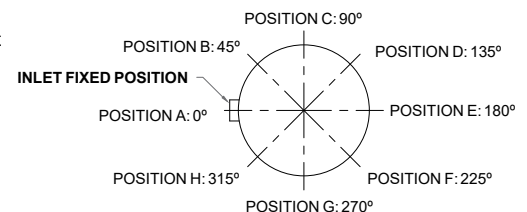
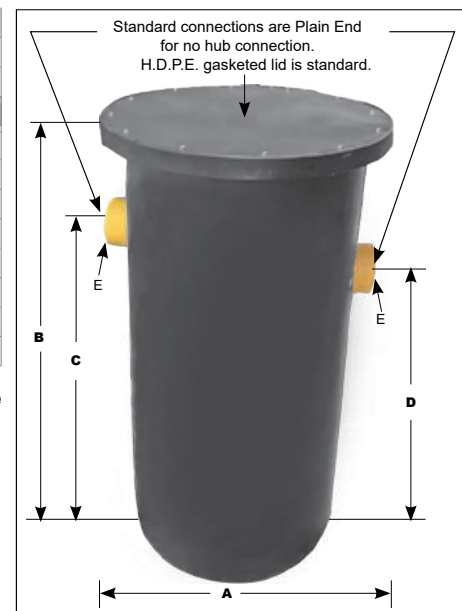
Limestone chips used with acid neutralization tanks must be 1" - 3" in diameter and must contain a high calcium carbonate content greater than 90%. See the above table to determine the correct amount of limestone chips needed for each MI-NEUT acid neutralization tank. This table provides the approximate amount needed for a charge (one filling). Replacement limestone chips will be required as determined by the use of the tank.

ACID NEUTRALIZATION TANK MAINTENANCE:

A regular maintenance program (replacement of the limestone chips) of one to three months is recommended. More frequent maintenance may be required depending on the volume of wastewater and amount of chemicals in the wastewater. If a regular maintenance program is not performed, the efficiency of the acid neutralization tank will suffer.

Note: Limestone chips are not included in the MI-NEUT acid neutralization tank pricing.

- Specify outlet size, type and position (standard outlet is no hub in position "E" at 180°).
- Specify vent size, type and position (if needed, standard vent).
- Specify: Outlet and angle: 0 (angle) • Vent and angle : V(angle)



Note: Limestone chips are not included in above pricing. \$110.00 List Price for a 50 lb. bag of limestone chips. Model Number is MI-LSC

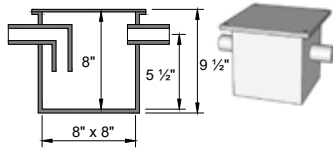
CALIFORNIA PROPOSITION 65 WARNING. This product contains chemicals known to the State of California to cause cancer and birth defects or other reproductive harm.

Design and dimensions are subject to modification. Prices do not include applicable taxes. Visit www.mifab.com for the most recent product information.



POINT OF USE UNDER SINK NEUTRALIZATION AND DILUTION TANKS

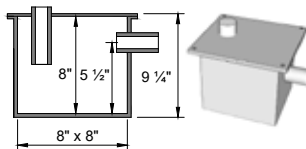
MI-NEUT-NT-1



SIDE INLET AND OUTLET WITH BOLTED AND GASKETED COVER.

List Price - \$540.00

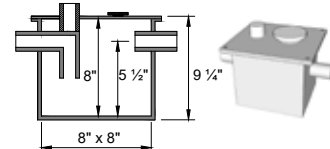
MI-NEUT-NT-1M



TOP INLET AND SIDE OUTLET WITH BOLTED AND GASKETED COVER.

List Price - \$540.00

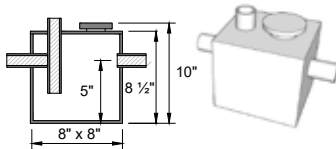
MI-NEUT-NT-1A



HAS A CLEANOUT AND IS AVAILABLE WITH A TOP OR SIDE INLET AND SIDE OUTLET.

List Price - \$615.00

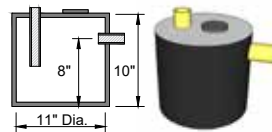
MI-NEUT-NT-2A



SEALED RECTANGULAR TANK WITH TOP OR SIDE INLET, OUTLET, AND CLEANOUT.

List Price - \$650.00

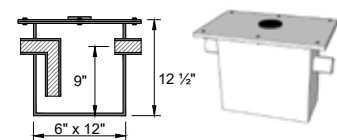
MI-NEUT-NT-2R



ROUND TANK WITH FEMALE TOP INLET, SIDE OUTLET, WELDED COVER, AND THREADED CLEANOUT.

List Price - \$768.00

MI-NEUT-NTR-3A

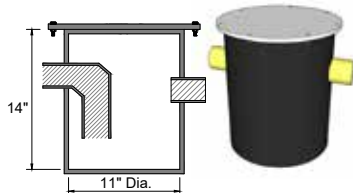


SIDE INLET AND OUTLET WITH THREADED CLEANOUT.

List Price - \$864.00

5 GALLON NT TANK OPTIONS

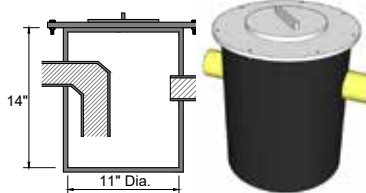
MI-NEUT-NT-5



STANDARD 5 GALLON POINT OF USE TANK. IT COMES WITH 1 1/2" OR 2" FITTINGS & BOLTED COVER.

List Price - \$912.00

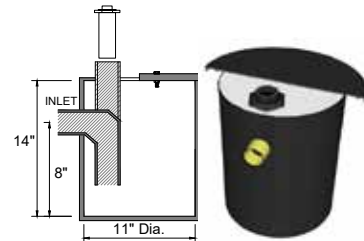
MI-NEUT-NT-5A



ADDITION OF AN 8" THREADED MANWAY IN THE COVER FOR EASY SERVICING.

List Price - \$936.00

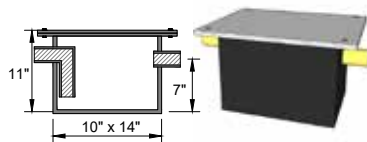
MI-NEUT-NT-5M



TOP INLET. IT HAS A HALF-WELDED COVER WITH FEMALE THREADED TOP INLET, SIDE OUTLET, & HALF COVER FOR SERVICING.

List Price - \$1,080.00

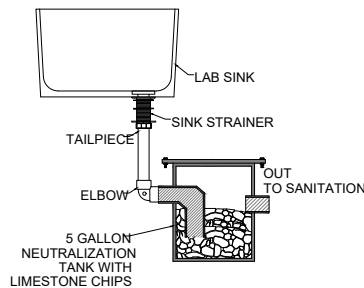
MI-NEUT-NTR-5



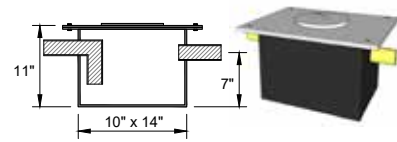
5 GALLON UNDER SINK NEUTRALIZATION TANK WITH 1 1/2" OR 2" FITTINGS AND BOLTED COVER.

List Price - \$912.00

PIPING DIAGRAM



MI-NEUT-NTR-5A



ADDITION OF AN 8" THREADED MANWAY IN THE COVER FOR EASY SERVICING.

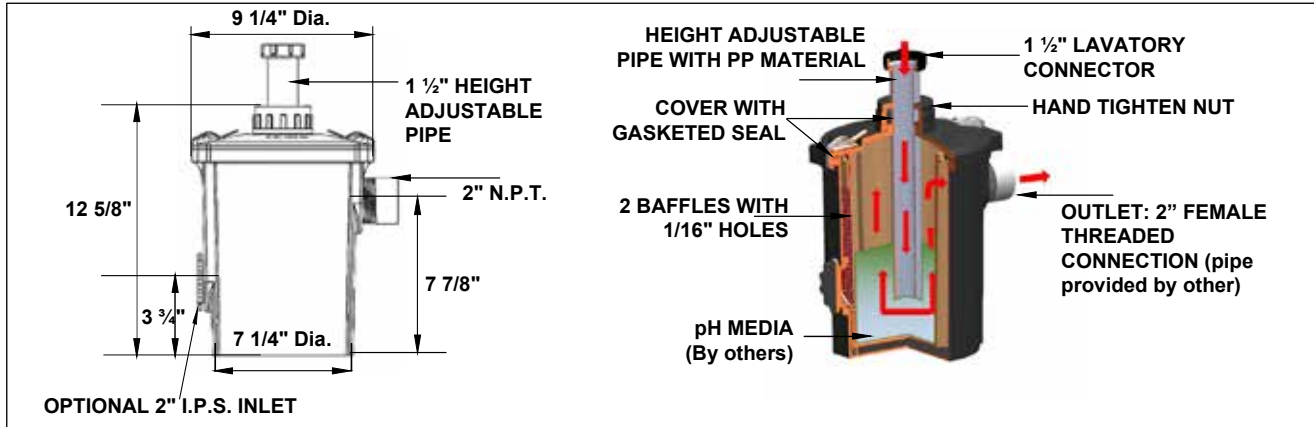
List Price - \$1,080.00

CALIFORNIA PROPOSITION 65 WARNING. This product contains chemicals known to the State of California to cause cancer and birth defects or other reproductive harm.

POINT OF USE: UNDER SINK NEUTRALIZATION TANKS

Specification: MI-NEUT-P to be manufactured out of Heavy-Duty HDPE material with inside media bucket, adjustable 1 1/2" FPT Inlet with adjustable Polypropylene Tailpiece, 2 bafflers and 2" FPT outlet. Cartridge will have 1.5 gallons liquid capacity. Unit to have 1.5 gallons of usable capacity and be capable of handling up to 8 gpm.

Features: Under Sink Installation with adjustable tailpiece to thread directly to sink strainer. Each system is capable of handling up to 8gpm. HDPE Molded Heavy Duty Body with 1.5 gallons liquid capacity. Option for use as Under Sink Solids Interceptor with Existing Side Inlet.

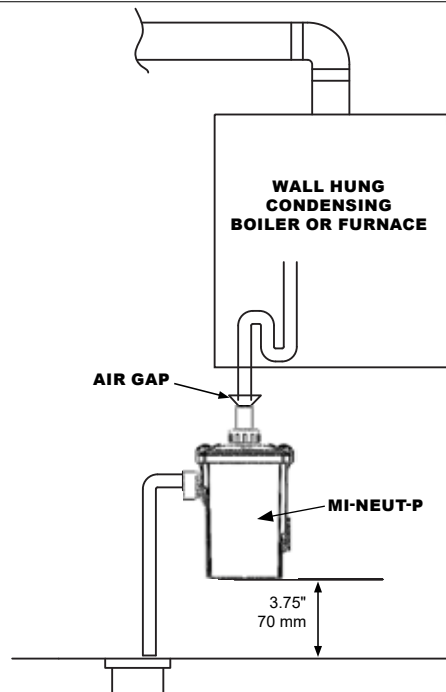


Model	List Price
MI-NEUT-P	\$400.00

SUFFIX	OPTIONAL VARIATIONS	PART NO.	List Price
-4NH	Limestone media	Contact MIFAB	\$105.00
-4FL	2" MPT Threaded nipple for outlet	Contact MIFAB	\$110.00
-E	2" - 1 1/2" reducer	Contact MIFAB	\$110.00
-LSC	2" no hub coupling for plain end pipe connections	MI-LSC	\$110.00
-O	1 1/2" no hub coupling for plain end pipe connections	Contact MIFAB	\$110.00

ACID NEUTRALIZATION TANK WITH TANKLESS WATER HEATERS

The MI-NEUT-P is ideal to use with tankless water heaters in order to neutralize the condensate draining into a cast iron drain.



CALIFORNIA PROPOSITION 65 WARNING. This product contains chemicals known to the State of California to cause cancer and birth defects or other reproductive harm.

Design and dimensions are subject to modification. Prices do not include applicable taxes. Visit www.mifab.com for the most recent product information.

ACID WASTE SAMPLING TANKS AND PH CONTROL MONITORS

MI-NEUT-MONITOR

- Programmable PLC Based pH Controller
- Touchscreen Operation with Settings Screen
- Single pH Electrode Included with Optional Datalogger
- 2 Additional Sensor Inputs (level sensor or other)
- Included Dry Contacts for BMS Connectivity Included
- Additional Inputs / Outputs Available

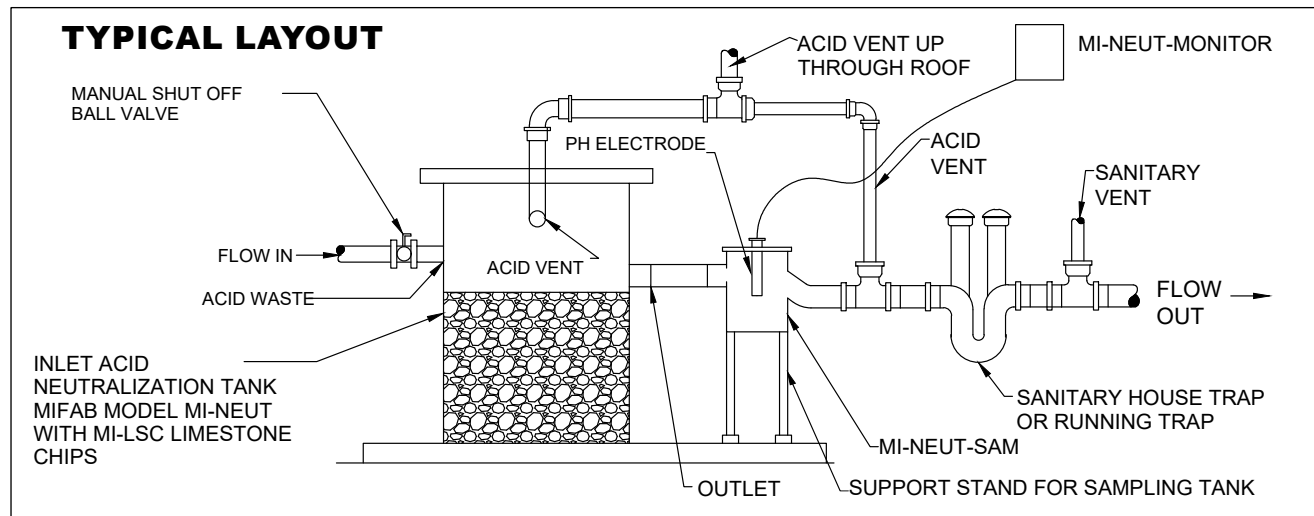
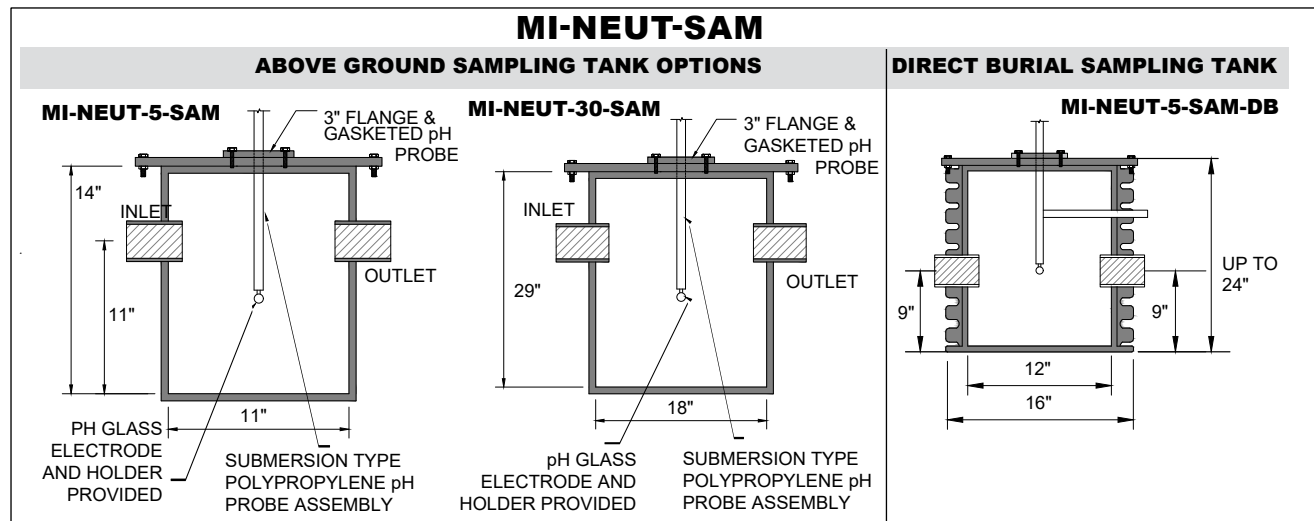


ITEM	DESCRIPTION	List Price (Holding Tank)
MI-NEUT-MONITOR	Ph control panel with one ph probe, 20 ft. of cable no recorder.	\$12,650.00
MI-NEUT-MONITOR-R	Ph control panel with one ph probe, 20 ft. of cable and recorder	\$14,875.00

MODEL NO.	GALLON CAPACITY	INTERNAL DIMENSIONS (In.) (A X B)	WALL THICKNESS (In.)	INLET / OUTLET CONNECTION SIZES (In.) (E)	STANDARD FITTING CONNECTIONS	STANDARD FITTING CONNECTIONS		LIST PRICE
						INLET (C)	OUTLET (D)	
MI-NEUT-5-SAM	5	11" x 14"	3/16"	2"	PLAIN END	9"	9"	\$1,187.00
MI-NEUT-30-SAM	30	18" x 29"	3/16"	4"	PLAIN END	19"	19"	\$1,654.00
MI-NEUT-5-SAM-DB	5	12" x 24"	DW	4"	PLAIN END	19"	19"	\$2,120.00

Note: Wiring and conduits by others.

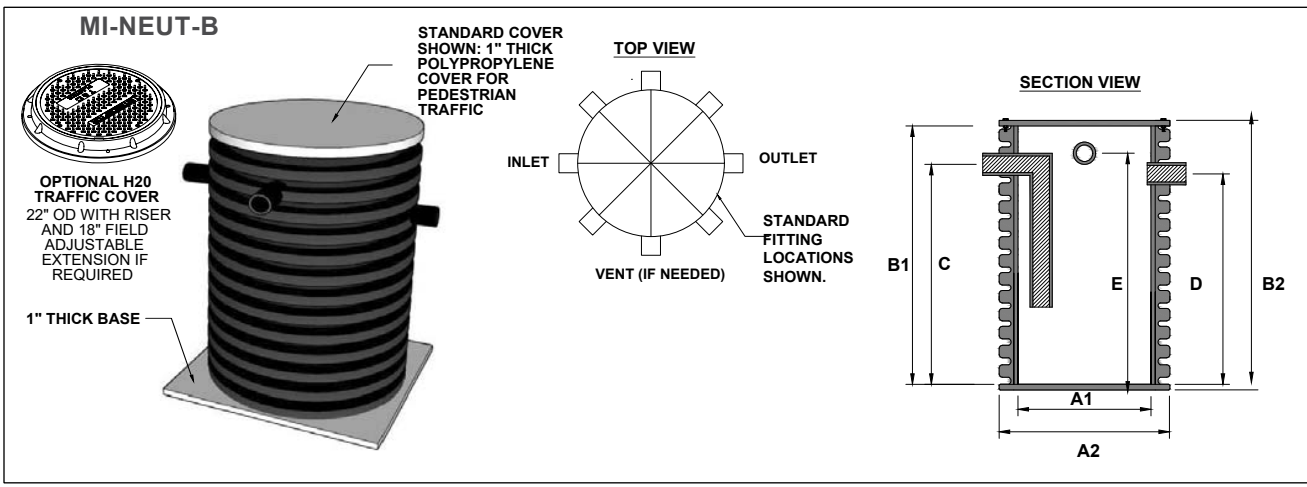
Note: Larger fittings available at an additional cost.



CALIFORNIA PROPOSITION 65 WARNING. This product contains chemicals known to the State of California to cause cancer and birth defects or other reproductive harm.



BELOW GROUND/DIRECT BURIAL NEUTRALIZATION TANKS



Model No.	Total Capacity (Gallons)	Usable Capacity (Gallons)	"Usable Capacity with Limestone (Gallons)"	Inner Diameter (Inches) A1	Inner Height (Inches) B1	Outer Diameter (Inches) A2	"Outer / Total Height (Inches) B2"	Inlet Centerline (Inches) C	Outlet Centerline (Inches) D	Vent Centerline (Inches) E	List Price	Extension per 9" Increment	6" Inlet and Outlet
MI-NEUT-30-B	30	19	6	18"	29"	24"	31"	23"	19"	25"	\$4,200.00	\$600.00	\$700.00
MI-NEUT-55-B	55	35	12	24"	30"	30"	32"	22"	18"	25"	\$4,800.00	\$600.00	\$700.00
MI-NEUT-100-B	100	77	26	24"	48"	30"	50"	42"	38"	44"	\$6,100.00	\$600.00	\$700.00
MI-NEUT-150-B	150	105	35	30"	50"	36"	52"	38"	34"	42"	\$7,200.00	\$700.00	\$700.00
MI-NEUT-175-B	175	135	45	30"	60"	36"	62"	51"	47"	54"	\$8,400.00	\$700.00	\$700.00
MI-NEUT-200-B	200	137	46	36"	48"	42"	50"	38"	34"	42"	\$9,000.00	\$800.00	\$700.00
MI-NEUT-250-B	250	151	52	36"	60"	42"	62"	42"	38"	46"	\$9,800.00	\$800.00	\$700.00
MI-NEUT-275-B	275	186	62	42"	48"	46"	50"	38"	34"	42"	\$10,400.00	\$800.00	\$700.00
MI-NEUT-300-B	300	230	76	36"	74"	42"	76"	61"	56"	65"	\$11,000.00	\$800.00	\$700.00
MI-NEUT-325-B	325	236	79	42"	54"	48"	56"	44"	40"	46"	\$11,200.00	\$800.00	\$700.00
MI-NEUT-350-B	350	243	81	48"	48"	54"	50"	38"	34"	42"	\$11,400.00	\$800.00	\$700.00
MI-NEUT-500-B	500	395	132	48"	64"	54"	66"	54"	50"	56"	\$14,500.00	\$800.00	\$700.00
MI-NEUT-650-B	650	548	183	48"	84"	54"	86"	75"	71"	78"	\$15,900.00	\$800.00	\$700.00

Model	OPTIONAL VARIATIONS	PART NO.	List Price
-HD	H2O LOAD RATED COVER	CONTACT MIFAB	\$2,300.00

CROSS REFERENCE- ACID NEUTRALIZATION TANKS

STRIEM	MIFAB *IF ABOVE GROUND INSTALL*	MIFAB *IF BELOW GROUND INSTALL*	ORION	MIFAB
LB-2	MI-NEUT-1A	N/A	732008	MI-NEUT-5A
LB-2-ADA	MI-NEUT-3A	N/A	732018	MI-NEUT-15
LB-5	MI-NEUT-5A	N/A	732027	MI-NEUT-30
LB-15	MI-NEUT-15	N/A	732043	MI-NEUT-55
LB-25	MI-NEUT-30	MI-NEUT-30-B	732067	MI-NEUT-100
LB-35	MI-NEUT-30	MI-NEUT-30-B	732079	MI-NEUT-150
LB-50	MI-NEUT-55	MI-NEUT-55-B	732089	MI-NEUT-175
LB-125	MI-NEUT-150	MI-NEUT-150-B	732100	MI-NEUT-200
LB-275	MI-NEUT-275	MI-NEUT-275-B	732107	MI-NEUT-275
LB-500	MI-NEUT-500	MI-NEUT-500-B	732116	MI-NEUT-300
LB-750	MI-NEUT-800	MI-NEUT-800-B	732125	MI-NEUT-500
LB-1000	MI-NEUT-1000	MI-NEUT-1000-B	732130	MI-NEUT-650
LB-1500	MI-NEUT-1500	MI-NEUT-1500-B	732134	MI-NEUT-1200
LB-2000	MI-NEUT-2000	MI-NEUT-2000-B		
STRIEM	MIFAB	MIFAB	ORION	MIFAB
CC-1		MI-NEUT-MONITOR-R	T8 Dilution Tanks	MI-NEUT-1A
SPK-A		MI-NEUT-SAM-5	T9 Dilution Tanks	MI-NEUT-5A
SPK-B		MI-NEUT-SAM-5-DB	T10 Dilution Tanks	MI-NEUT-NT-2R
			T12 Dilution Tanks	MI-NEUT-NT-5A
GREEN TURTLE	MIFAB	MIFAB	ORION	MIFAB
Z9A-PHIX		MI-NEUT-P	T16 PH SAMPLING TANK	MI-NEUT-SAM-5
			NEUTRAGARD III	MI-NEUT-MONITOR-R

CALIFORNIA PROPOSITION 65 WARNING. This product contains chemicals known to the State of California to cause cancer and birth defects or other reproductive harm.

Design and dimensions are subject to modification. Prices do not include applicable taxes. Visit www.mifab.com for the most recent product information.

LIMITED LIFETIME WARRANTY

These products come with a Limited Lifetime warranty, valid only when this warranty card is completed and returned to MIFAB®.

MIFAB® Inc. (MIFAB®) represents and warrants that our range of H.D.P.E. Lil Max®, Big Max® and SuperMax® grease, oil, solids, plaster, lint, sand, fish scale and rice interceptors (Products) will be free from any defects in material and workmanship, including corrosion, during the lifetime of the plumbing system in which the Products were originally installed and will, at its option, agree to replace, repair, or provide credit to the purchaser.

This warranty does not cover damage caused by the Products' normal usage, or wear and tear; nor does it cover damage from naturally occurring events, including, but not limited to UV, freeze related damage or natural disasters. The cost of regular maintenance (including the repair of parts) is not covered by this warranty. This warranty does not cover fabricated steel products or any monitoring equipment that may be used with MIFAB®'s H.D.P.E. interceptors. This warranty is only effective if the Products were:

- Installed per MIFAB®'s installation instructions and operated per MIFAB®'s operation and maintenance instructions;
- Installed in accordance with the applicable plumbing and building codes and passed all applicable testing methods immediately after installation;
- Not subjected to abuse or misuse, whether negligent or intentional;
- Not modified, altered or repaired by anyone not authorized by MIFAB®;
- Sold through a MIFAB® qualified wholesaler.

This warranty is the purchaser's sole and exclusive remedy, and acceptance of this exclusive remedy is a condition of the contract for the purchase of these Products.

Under no circumstances, shall MIFAB® be responsible for any incidental, special, consequential or punitive damages, or for any costs, attorney fees, expenses, losses or delays claimed to be as a consequence of any damage to, failure of, or defect in any of these Products including, but not limited to, any claims for loss of profits, transportation, removal and installation charges. This warranty is exclusive and in lieu of all other warranties or conditions, written or oral, expressed or implied.

"MIFAB provides me with a complete line of HDPE interceptors for any job application. Whether it be Lil Max, Big Max, or even steel - they have a quality product that I can offer and am confident to use."

- Manny Pelaez, Owner, Master Plumbing, Stuart, FL

Limited Lifetime Warranty Registration

INSTALLATION LOCATION:

Name: _____ Address: _____
 _____ Tel# _____ Email: _____

CONTRACTOR / INSTALLER:

Name: _____ Company: _____
 Address: _____
 Tel# _____ Email: _____ Installer signature: _____

PURCHASED FROM:

Name: _____ Company: _____
 Address: _____
 Tel# _____ Email: _____

SIZE AND MODEL OF MIFAB INTERCEPTOR INSTALLED

TYPE OF FLOW CONTROL:	<input type="checkbox"/> Internal Flow Control	<input type="checkbox"/> External Flow Control
TYPE OF INSTALLATION:	<input type="checkbox"/> New	<input type="checkbox"/> Replacement
WHERE WAS IT INSTALLED:	<input type="checkbox"/> On the floor	<input type="checkbox"/> In Floor-Inside Building
	<input type="checkbox"/> Floor below (basement)	<input type="checkbox"/> In Ground - Outside Building

CALIFORNIA PROPOSITION 65 WARNING. This product contains chemicals known to the State of California to cause cancer and birth defects or other reproductive harm.

Design and dimensions are subject to modification. Prices do not include applicable taxes. Visit www.mifab.com for the most recent product information.

HISTORY OF MIFAB[®]

MIFAB[®] established in 1982, is a manufacturer of commercial plumbing products. We are a family business that operates from a 128,000 square foot manufacturing and distribution facility at 1321 West 119th Street, Chicago, Illinois, 60643.

We manufacture the following products:

Backwater valves	Floor Sinks
BEECO pressure reducing valves and backflow preventers	Grease, oil, solids, automatic recovery, specialty and large oil-water separators
Cleanouts	Steel and plastic access doors
C-PORT recycled rubber pipe supports	Trap seal primers and distribution units
FILCOTEN Fibre-reinforced concrete trench drains	Trench drains - steel, polypropylene, stainless steel and cast iron
Fixture carriers	Wall, ground, floor, yard and hot/cold hydrants
Floor, roof and area drains	Water hammer arrestors
Floor drain sealers	

MIFAB's products have many features and benefits that have made them the choice of many specifying engineers and contractors. For example, a complete range of Stainless Steel drains and cleanouts that eliminates dishing, discoloration and corrosion normally associated with drain tops made of other materials are offered at the same cost as the industry standard, nickel bronze.

MIFAB's HDPE grease, oil, solids and other interceptors are made from High Density Polyethylene and offer a limited lifetime warranty to protect against corrosion that metal and concrete interceptors are subject to.

MIFAB's manufacturing facility in Chicago produces steel, stainless steel, aluminum and custom sized interceptors to meet any engineer's requirement.

MIFAB's products are distributed through a network of over seventy manufacturer's representatives throughout the United States, Canada, Middle East and other parts of the World.



CALIFORNIA PROPOSITION 65 WARNING. This product contains chemicals known to the State of California to cause cancer and birth defects or other reproductive harm.

Design and dimensions are subject to modification. Prices do not include applicable taxes. Visit www.mifab.com for the most recent product information.

MIFAB[®], Inc., 1321 West 119th Street, Chicago, Illinois 60643-5109, USA
All sales subject to MIFAB's[®] Terms and Conditions. Please refer to Page 106.

USA Toll Free: 1-800-465-2736 • Fax: 1-773-341-3049
Canada Toll Free: 1-800-387-3880 • sales@mifab.com

CASE STUDY



SUPER-1500 installed at a Starbucks in Hickory, NC



SUPER-1000 installed in Raleigh, NC



Four SuperMax grease interceptors installed in the J.W. Marriott, Tampa, FL

CALIFORNIA PROPOSITION 65 WARNING. This product contains chemicals known to the State of California to cause cancer and birth defects or other reproductive harm.

CASE STUDY



Two BIG-1150 Grease Interceptors installed in a Miami, FL restaurant



CALIFORNIA PROPOSITION 65 WARNING. This product contains chemicals known to the State of California to cause cancer and birth defects or other reproductive harm.

Design and dimensions are subject to modification. Prices do not include applicable taxes. Visit www.mifab.com for the most recent product information.

MIFAB®, Inc., 1321 West 119th Street, Chicago, Illinois 60643-5109, USA
All sales subject to MIFAB's® Terms and Conditions. Please refer to Page 106.

USA Toll Free: 1-800-465-2736 • Fax: 1-773-341-3049
Canada Toll Free: 1-800-387-3880 • sales@mifab.com

CASE STUDY - MIAMI, FL

Job #: 22446 Bolay #217 Kendall Town & Country - Miami FL
8746 Mills Drive
Miami, Florida 33183

Three BIG-1150 grease interceptors installed in parallel by Bolay in Miami, Florida.



CALIFORNIA PROPOSITION 65 WARNING. This product contains chemicals known to the State of California to cause cancer and birth defects or other reproductive harm.

CASE STUDY - WAL MART

Hyde Plumbing of Paragould, Arkansas installed this SUPER-1000, 1000 gallon gravity grease interceptor at the new Wal-Mart in Missouri. They purchased their own 24" diameter ADS risers to save cost and complete their installation on time.



CASE STUDY: PURPLE LINE PROJECT

MIFAB product Installed:

**SuperMax 750 Gallon Gravity Oil Interceptor
(custom made with 36" lids for WSSC requirements)**

Contractor: Southland Industries

Project Name: Purple Line (transit)

Job location: Landover Hills, MD

MIFAB Sales Agent: Chesapeake Systems



Installation Overview: MIFAB provided two SuperMax HDPE Oil Interceptors with 750 gallons of liquid holding capacity and 36" diameter custom lids for a massive public transit project called Purple Line in Landover, MD.

The Purple Line is a 16.2-mile (26.1 km) light rail line under construction to link the Maryland suburbs of Bethesda, Silver Spring, College Park, and New Carrollton, all in the Washington metropolitan area.

One of the stations required two 750 gallon gravity oil interceptors. The bury depths were greater than normal which required a rigid oil interceptor that would not buckle under 19 feet of earth load. The local AHJ, WSSC (Washington Suburban Sanitary Commission) also required that the lid openings have a minimum diameter of 36" in order to provide the maintenance contractor room to access and clean out the interceptor tanks buried 19 feet below grade. MIFAB worked with Southland Industries, WSSC and the Engineer of Record to provide a custom gravity oil interceptor solution for this challenging project. "Regarding the SuperMax, we were very pleased to learn that MIFAB could provide an interceptor that met our job site deep burial needs. We were impressed to learn that MIFAB made the effort to sit down with WSSC and develop a grease interceptor that conformed to WSSC Standards. This helped our jobs as PMs immensely as we all know WSSC has some tough Standards. We've been working closely with their engineers during the install and their ability to provide additional information we've needed has been fantastic. They were easy to install and it all came at some good pricing to us.

Eric Gordy, Project Manager, Southland Industries, Dulles, VA

CALIFORNIA PROPOSITION 65 WARNING. This product contains chemicals known to the State of California to cause cancer and birth defects or other reproductive harm.

Design and dimensions are subject to modification. Prices do not include applicable taxes. Visit www.mifab.com for the most recent product information.

MIFAB®, Inc., 1321 West 119th Street, Chicago, Illinois 60643-5109, USA

All sales subject to MIFAB's® Terms and Conditions. Please refer to Page 106.

USA Toll Free: 1-800-465-2736 • Fax: 1-773-341-3049
Canada Toll Free: 1-800-387-3880 • sales@mifab.com

CASE STUDY - CONNECTICUT STREET ARMORY, NY

MIFAB's SUPER-500-O, 500 gallon oil interceptor was installed at the Connecticut Street Armory, also known as the 74th Regimental Armory during a 2018 renovation. This is a historic National Guard armory building located at Buffalo, New York. It is a massive castle-like structure built in 1899 of Medina sandstone. Installed by RP Mechanical, Springville, NY.



CASE STUDY: UPS PROJECT, CANADA



This project was awarded to Avcon Construction in 2018. They were challenged for space to locate the Big Max hydromechanical grease interceptor inside of the building. MIFAB's Engineering team advised on a solution to locate the Big Max outside in order to save space.

"Early in the planning stages, we contacted MIFAB on trench drain for the UPS upgrade for the garage for the Brampton depot. The discussion steered us towards the Filcoten concrete trench drain product line which was the perfect application for the use of the site. This led to a discussion for planning of the sediment and oil interceptor and thanks to advice from MIFAB, we placed the interceptor not inside the building but outside and buried.

The Big Max was delivered on time and on specification. The use of the generic corrugated extensions made installation easy and extremely efficient.

MIFAB offering drains and interceptors together makes our jobs easier regarding technical support, logistics and delivery."

Avcon Construction, North York, Ontario, Canada

CALIFORNIA PROPOSITION 65 WARNING. This product contains chemicals known to the State of California to cause cancer and birth defects or other reproductive harm.

CASE STUDY

Bayer's Plumbing Finds Perfect Fit with Easy-to-Install MIFAB HDPE Interceptors

When Bayer's Plumbing of Newburgh, IN, needed a modern grease interceptor solution for a local deli, they turned to MIFAB for a product that cost less and was much easier to install than traditional riser systems, according to Matt Pry, project manager. Because local regulators had been approving poly hydromechanical tanks, Bayer's Plumbing proposed a MIFAB high density polyethylene (HDPE) interceptor for the long-time local dining staple EMGE Deli in Evansville, IN, winning the job.

Pry said that the MIFAB BIG-MAX 750 (75-gpm HDPE hydromechanical interceptor) product was the perfect fit. "It is a good product, well-built, with a better-than-competitive price point. The generic corrugated riser pipe really is what put it head-and-shoulders above its competitors in this space."

MAKING THE MOVE TO HDPE

When MIFAB opened its doors in 1982, they had two products: access doors and interceptors. Today, interceptors are still a major part of the more than 14-division MIFAB brand. In 2010, MIFAB began getting requests for HDPE interceptors. After some research, MIFAB saw that HDPE made up a very small but rapidly growing share of the market, so they made the leap to HDPE. Today, MIFAB has the largest selection of plastic grease and specialty interceptors in the U.S. plumbing market. The fast growth of the market can be attributed to contractor demands for products that are easier to install and foresight by local jurisdictions seeking to protect the environment and their sewer systems.

With concrete and steel interceptors, it is not a question of if these units will fail but when. Steel units have an average life expectancy of seven years, and concrete units have an average life expectancy of 12 years because of the corrosive effects of the acid in the waste. MIFAB's HDPE grease interceptors have a lifetime warranty, and they ensure that the waste will not be going into the ground or passing into sewer systems, where it can have a very detrimental effect.

SPEEDY SEPARATION

The key to a grease interceptor functioning properly is separation speed and capacity. Gravity-fed interceptors use time-based separation, and it takes a lot of time for the grease to separate and float to the top of the tank. Hydromechanical units are flow-based, which means they use a flow control device at the inlet to slow the grease-laden material down so that it separates very quickly upon entering the tank. Gravity-fed tanks must be pumped out when they are only a quarter full. After that point, the unit will start passing grease into the sewer system—a huge problem that can result in large fines for the owner. With hydromechanical systems, the unit can almost be full and still have excellent separation. Effectively, a smaller hydromechanical unit has more capacity than a gravity unit. As a result, the designer and the contractor do not need more space to install the larger tanks.

EASIER INSTALLATION

Steel units can be difficult to handle and can easily cause cuts to the hands. Inevitably, the seal on the interceptor will fail, which allows waste and odors to escape into the kitchen, resulting in a call back to the installing contractor. Concrete tanks pose even bigger coordination issues. The contractor may need to rent a crane or schedule—down to the hour—when the boom truck will arrive. If the hole for the tank

is not properly prepared, the truck will leave but still charge for the time. A typical 1,500-gallon concrete unit can weigh up to 15,000 pounds. On the other hand, a 1,500-gallon

HDPE unit will only weigh around 1,500 pounds. These plastic units can be stored above ground on the jobsite and moved around easy with a fork truck or forklift.

Finally, manhole risers have always been an issue, because the contractor will generally not know the finished grade until the end of the project. At that point, the contractor must order custom-height risers that are expensive and require a long lead time to produce. MIFAB has a patented riser system that uses generic corrugated plastic pipe that can be cut to fit. The pipe is inexpensive and readily accessible from your local plumbing wholesaler. For more information, visit www.mifab.com.



Bayer's Plumbing chose MIFAB's cut-to-fit risers for a client's grease interceptors because they make installation cost-effective and simple.

CALIFORNIA PROPOSITION 65 WARNING. This product contains chemicals known to the State of California to cause cancer and birth defects or other reproductive harm.

Design and dimensions are subject to modification. Prices do not include applicable taxes. Visit www.mifab.com for the most recent product information.

MIFAB®, Inc., 1321 West 119th Street, Chicago, Illinois 60643-5109, USA
All sales subject to MIFAB's® Terms and Conditions. Please refer to Page 106.

USA Toll Free: 1-800-465-2736 • Fax: 1-773-341-3049
Canada Toll Free: 1-800-387-3880 • sales@mifab.com

CASE STUDY

4J Eugene School District
 200 North Monroe St., Eugene, Oregon • 541-790-7700

Willard Swing School —Eugene, OR
 Systems West Engineers
 Twin Rivers Mechanical
 July 2020

When The Eugene School District 4J constructed their swing school which would house multiple schools over the next few years, they needed a flawless, cost effective installation which will perform for years to come. They turned to MIFAB and our 35 years of experience manufacturing Interceptors. The SuperMax SUPER-1250 Grease Interceptor and it's lightweight HDPE construction made it the perfect choice for it's ease of installation and efficient design and operation. Locally manufactured and stocked in the North West.



“Easy installation, Trimming the risers went smooth”
 – Twin Rivers Mechanical

CALIFORNIA PROPOSITION 65 WARNING. This product contains chemicals known to the State of California to cause cancer and birth defects or other reproductive harm.

Design and dimensions are subject to modification. Prices do not include applicable taxes. Visit www.mifab.com for the most recent product information.

SUPERMAX - FREIGHT RATES - USD

From	To	500G-1500G	From	To	500G-1500G5	From	To	2000G
IL	AL	\$401.35	WA	AL	\$570.98	WA	AL	\$ 2,794.50
IL	AR	\$384.10	WA	AR	\$502.55	WA	AR	\$ 2,489.75
IL	AZ	\$457.13	WA	AZ	\$421.48	WA	AZ	\$ 2,144.75
IL	CA	\$474.38	WA	CA	\$362.83	WA	CA	\$ 2,348.88
IL	CO	\$394.45	WA	CO	\$404.23	WA	CO	\$ 1,957.88
IL	CT	\$419.75	WA	CT	\$546.83	WA	CT	\$ 3,740.38
IL	DC	\$428.38	WA	DC	\$587.08	WA	DC	\$ 3,211.38
IL	DE	\$370.30	WA	DE	\$524.40	WA	DE	\$ 3,251.63
IL	FL	\$431.25	WA	FL	\$644.00	WA	FL	\$ 3,665.63
IL	GA	\$392.73	WA	GA	\$593.98	WA	GA	\$ 2,846.25
IL	IA	\$308.78	WA	IA	\$462.88	WA	IA	\$ 2,147.63
IL	ID	\$518.65	WA	ID	\$355.93	WA	ID	\$ 1,150.00
IL	IL	\$281.75	WA	IL	\$475.53	WA	IL	\$ 2,351.75
IL	IN	\$278.88	WA	IN	\$483.00	WA	IN	\$ 2,530.00
IL	KS	\$365.70	WA	KS	\$445.63	WA	KS	\$ 2,363.25
IL	KY	\$326.03	WA	KY	\$532.45	WA	KY	\$ 2,570.25
IL	LA	\$431.25	WA	LA	\$581.33	WA	LA	\$ 2,737.00
IL	MA	\$417.45	WA	MA	\$576.73	WA	MA	\$ 3,795.00
IL	MD	\$373.18	WA	MD	\$542.80	WA	MD	\$ 3,214.25
IL	ME	\$417.45	WA	ME	\$578.45	WA	ME	\$ 4,183.13
IL	MI	\$287.50	WA	MI	\$488.75	WA	MI	\$ 2,659.38
IL	MN	\$314.53	WA	MN	\$485.88	WA	MN	\$ 2,136.13
IL	MO	\$338.68	WA	MO	\$460.00	WA	MO	\$ 2,300.00
IL	MS	\$365.70	WA	MS	\$532.45	WA	MS	\$ 2,734.13
IL	MT	\$317.40	WA	MT	\$241.50	WA	MT	\$ 1,736.50
IL	NC	\$377.20	WA	NC	\$569.83	WA	NC	\$ 3,084.88
IL	ND	\$281.75	WA	ND	\$334.65	WA	ND	\$ 2,003.88
IL	NE	\$328.90	WA	NE	\$458.28	WA	NE	\$ 2,210.88
IL	NH	\$409.98	WA	NH	\$568.10	WA	NH	\$ 4,079.63
IL	NJ	\$397.33	WA	NJ	\$537.05	WA	NJ	\$ 3,294.75
IL	NM	\$537.05	WA	NM	\$514.05	WA	NM	\$ 2,047.00
IL	NV	\$477.25	WA	NV	\$400.20	WA	NV	\$ 1,808.38
IL	NY	\$394.45	WA	NY	\$554.30	WA	NY	\$ 3,662.75
IL	OH	\$303.03	WA	OH	\$492.78	WA	OH	\$ 2,711.13
IL	OK	\$403.08	WA	OK	\$501.40	WA	OK	\$ 2,354.63
IL	OR	\$474.38	WA	OR	\$250.13	WA	OR	\$ 359.38
IL	PA	\$367.43	WA	PA	\$521.53	WA	PA	\$ 3,263.13
IL	RI	\$412.85	WA	RI	\$558.33	WA	RI	\$ 3,838.13
IL	SC	\$395.60	WA	SC	\$568.10	WA	SC	\$ 3,059.00
IL	SD	\$297.28	WA	SD	\$412.85	WA	SD	\$ 2,075.75
IL	TN	\$341.55	WA	TN	\$554.30	WA	TN	\$ 2,622.00
IL	TX	\$454.25	WA	TX	\$515.78	WA	TX	\$ 2,670.88
IL	UT	\$457.13	WA	UT	\$350.18	WA	UT	\$ 1,449.00
IL	VA	\$392.73	WA	VA	\$558.33	WA	VA	\$ 3,274.63
IL	VT	\$415.73	WA	VT	\$565.23	WA	VT	\$ 3,961.75
IL	WA	\$480.13	WA	WA	\$290.38	WA	WA	\$ 632.50
IL	WI	\$282.90	WA	WI	\$484.15	WA	WI	\$ 2,317.25
IL	WV	\$364.55	WA	WV	\$525.55	WA	WV	\$ 3,027.38
IL	WY	\$361.68	WA	WY	\$304.75	WA	WY	\$ 1,819.88

Note: The SUPER-2000 models are too tall to be shipped on a regular transport truck. Special transport requirements are needed. This is why the freight costs for the SUPER-2000 models are significantly higher than the other SuperMax models.

CALIFORNIA PROPOSITION 65 WARNING. This product contains chemicals known to the State of California to cause cancer and birth defects or other reproductive harm.

Design and dimensions are subject to modification. Prices do not include applicable taxes. Visit www.mifab.com for the most recent product information.

MIFAB®, Inc., 1321 West 119th Street, Chicago, Illinois 60643-5109, USA

USA Toll Free: 1-800-465-2736 • Fax: 1-773-341-3049

All sales subject to MIFAB's® Terms and Conditions. Please refer to Page 106.

Canada Toll Free: 1-800-387-3880 • sales@mifab.com



INTERCEPTORS – COMMON QUESTIONS AND ANSWERS

Where can I locate the grease interceptor ?

Big Max® and SuperMax® interceptors that are installed outside should be located with at least three feet of clear space around all sides of the interceptor and seven feet of clear space above the interceptor for access in the event of an issue and for the regular pumping of the interceptor. It is the responsibility of the restaurant owner to maintain safe, clear and unobstructed access to the interceptor at all times.

Do I need to install the flow control ?

For Hydromechanical Grease Interceptors (HGI) the PDI G-101 Standard requires that all grease interceptors be installed with an external, vented, flow control fitting. The grease interceptor does not meet the requirements of PDI G-101 without the installation of the external vented flow control fitting. The ASME A112.14.3, Type C Standard allows an approved grease interceptor to be installed with an internal flow control plate. For Gravity Grease Interceptors (GGI), a flow control is not required.

What can be connected to the grease interceptor ?

A grease interceptor must not and cannot receive any sanitary waste water (for example, from a toilet). Waste water discharge into a grease interceptor can only be from food service fixtures. The types of fixtures and appliances that can and cannot be connected to a grease interceptor vary according to local codes and requirements. A licensed professional plumber, or your local city plan check department or plumbing code officials should be consulted for clarification on this.

Do grease interceptors need to be directly vented ?

Gravity Grease Interceptors (GGI) do require to be directly vented. A Hydromechanical Grease Interceptor (HGI) does not require to be directly vented unless specifically mandated by local code or by law. Venting is required on the downstream drain line – the same as most other plumbing appliances and fixtures to allow efficient and unrestricted discharge of the waste water.

Do I need to install a cleanout before or after the interceptor ?

Most plumbing codes require an upstream and downstream cleanout immediately before and after the interceptor. This is good practice and indicates which outlet is in use.

Should I install a solids interceptor with the grease interceptor ?

Grease interceptors are not designed to accommodate large amounts of solid material. The accumulation of unremoved solids will negatively impact the performance and efficiency of the grease interceptor and cause foul odors. MIFAB® strongly recommends that a solids interceptor be installed upstream of the grease interceptor and that all entry points to the drains connected to the grease interceptor be protected with sediment buckets to prevent debris from entering the drain lines and the interceptor. It is recommended that all plates, pots, pans, etc . . . be scraped to remove loose food debris prior to washing.

Should I pressure test the grease interceptor ?

No. The MIFAB® grease interceptor is considered a plumbing accessory and must be isolated from the drainage system in the event that final drain testing or other system pressure testing is required. The interceptor must not under any circumstances be subjected to an air, water or any other type of pressure test. This action will result in damage to the interceptor, invalidate the warranty and could cause serious injury to those near the interceptor.

CALIFORNIA PROPOSITION 65 WARNING. This product contains chemicals known to the State of California to cause cancer and birth defects or other reproductive harm.

Design and dimensions are subject to modification. Prices do not include applicable taxes. Visit www.mifab.com for the most recent product information.

MIFAB®, Inc., 1321 West 119th Street, Chicago, Illinois 60643-5109, USA

All sales subject to MIFAB's® Terms and Conditions. Please refer to Page 106.

USA Toll Free: 1-800-465-2736 • Fax: 1-773-341-3049

Canada Toll Free: 1-800-387-3880 • sales@mifab.com

**INTERCEPTORS – COMMON QUESTIONS AND ANSWERS****How often should the grease interceptor be cleaned ?**

A grease interceptor is typically not cleaned often enough. If left too long, the accumulated grease will pass through the interceptor and into the sanitary sewer lines and cause foul odors. MIFAB® recommends that grease interceptors be inspected and if necessary, cleaned weekly to ensure efficient performance. Your local city plan check department or plumbing code officials should be consulted for clarification on how often your grease interceptor needs to be cleaned. If you are experiencing frequent issues with regards to blockages or accumulation of grease in your interceptor, it is likely a result of the grease interceptor not being cleaned often enough. Do not modify the interceptor or means of flow control in any way. Doing this voids the performance approval required by your local jurisdiction and will leave your operation exposed to the risk of fines and citations.

Do I need to install a sampling port after the grease interceptor ?

For HGI, most jurisdictions do not require a sampling port to test the effluent from the grease interceptor. For those areas that do, a sampling port access is molded as standard into the top of the internal outlet piping within all Big Max® and SuperMax® grease interceptors. This can be accessed by removing the lid closest to the outlet. In addition, MIFAB® manufactures external sampling ports (see pages 20, 21) that some jurisdictions require to be installed after the grease interceptor in order to have a means to test the effluent from the interceptor. Most jurisdictions require the installation of an external sampling port for all GGI.

How does a HGI replace the function of a 1000 gallon concrete tank (GGI) ?

A Gravity Grease Interceptor (GGI), (typically a concrete tank) is sized according to liquid holding capacity usually between 750 and 1,500 gallons. In most jurisdictions, a method called the 25% rule is used to indicate how often the GGI should be cleaned. The 25% is the total working volume of the interceptor which can be occupied by a combination of Fats, Oil and Grease and Food Solids (FOG).

For example, a GGI with a liquid holding capacity of 1,000 gallons can only function to a point where 250 gallons (1,000 x .25) of its' volume is occupied by solids and grease. This equates to approximately 1,090 lbs. of grease. Assuming that 100 gallons of the 1,090 lbs. is solid material, then only 150 gallons of grease capacity remains before cleaning is required. This typically means that the interceptor must be cleaned every 8 – 10 weeks. In comparison, the MIFAB® Big Max® BIG-1150, 100 GPM, PDI-101 tested and certified Hydromechanical Grease Interceptor (HGI) has a significantly smaller 300 gallon liquid holding capacity but a third party laboratory tested grease separation efficiency of 95%. This translates to essentially the same grease capacity as the GGI, exceeding 1,000 lbs. of functional grease capacity.

“We specify MIFAB HDPE interceptors because of the vast selection of products and technical assistance.”

– Steve Cannon, Project Manager, Wave Engineering, Charlotte, NC

CALIFORNIA PROPOSITION 65 WARNING. This product contains chemicals known to the State of California to cause cancer and birth defects or other reproductive harm.

Design and dimensions are subject to modification. Prices do not include applicable taxes. Visit www.mifab.com for the most recent product information.

MIFAB®, Inc., 1321 West 119th Street, Chicago, Illinois 60643-5109, USA

All sales subject to MIFAB's® Terms and Conditions. Please refer to Page 106.

USA Toll Free: 1-800-465-2736 • Fax: 1-773-341-3049
Canada Toll Free: 1-800-387-3880 • sales@mifab.com



SCHIER / STRIEM - MIFAB CROSS REFERENCE

GREASE INTERCEPTORS

Schier	MIFAB
GB-1 (See pg. 34)	Lil-25
GB-2 (See pg. 34)	Lil-35
GB-3 (See pg. 34)	Lil-50
GB-15 (See pg. 34)	Lil-15
GB-20 (See pg. 34)	Lil-20
GB-25 (See pg. 34)	Lil-25
GB-35 (See pg. 34)	Lil-35
GB-50 (See pg. 50)	BIG-500
GB-75 (See pg. 50)	BIG-750
GB-250 (See pg. 50)	BIG-1150
GB-500 (See pg. 70)	SUPER-500
GGI-500 (See pg. 70)	SUPER-500
GB-750 (See pg. 71)	SUPER-750
GGI-750 (See pg. 71)	SUPER-750
GB-1000 (See pg. 72)	SUPER-1000
GGI-1000 (See pg. 72)	SUPER-1000
GB-1500 (See pg. 75)	SUPER-1500
GGI-1500 (See pg. 75)	SUPER-1500
GGI-2000 (See pg. 76)	SUPER-2000

EXTENSIONS (RISERS)

Schier	MIFAB
CPRK (See pg. 61)	use 18" diameter ADS pipe
FCR1 (See pg. 61)	use 18" diameter ADS pipe
FCR2 (See pg. 61)	use 18" diameter ADS pipe
FCR10 (See pg. 61)	use 18" diameter ADS pipe
LR-24 (See pg. 61)	use 18" diameter ADS pipe
SR-16 (See pg. 61)	use 18" diameter ADS pipe
SR-24 (See pg. 61)	use 18" diameter ADS pipe

HIGH WATER ANCHOR KIT

Schier	MIFAB
AK-1 (See pg. 65, 66)	BIG-AK-SET
AK-2 (See pg. 93)	SUPER-AK-SET
AK-3 (See pg. 93)	SUPER-AK-SET
HDK-1 (See pg. 65, 66)	BIG-AK-SET
HDK-2-10 (See pg. 65, 66)	BIG-AK-SET
HDK-500, 750, 1000, 1500 (See pg. 65, 66)	SUPER-AK-SET

SAMPLING PORTS

Schier	MIFAB
SV10 (See pg. 20, 21)	Lil-SP
SV24 (See pg. 20, 21)	BIG-SP
SV24-O (See pg. 20, 21)	BIG-SP-OF

OIL INTERCEPTORS

Striem	MIFAB
OS-15 (See pg. 35)	Lil-15-O
OS-25 (See pg. 35)	Lil-25-O
OS-35 (See pg. 35)	Lil-35-O
OS-35-CS1 (See pg. 35)	Lil-35-O
OS-50 (See pg. 51)	BIG-500-O
OS-50-CS1 (See pg. 51)	BIG-500-O
OS-50-JCW (See pg. 51)	BIG-500-O
OS-50-SS (See pg. 51)	BIG-500-O-HLA
OS-75 (See pg. 51)	BIG-750-O
OS-75-JCW (See pg. 51)	BIG-750-O
OS-75-CS2 (See pg. 51)	BIG-750-O
OS-75-SS (See pg. 51)	BIG-750-O-HLA
OS-100 (See pg. 51)	BIG-1150-O
OS-100-SS (See pg. 51)	BIG-1150-O-HLA
OS-100-CS3 (See pg. 51)	BIG-1150-O
OS-100-SS-CS3 (See pg. 51)	BIG-1150-O
OS-100-OMAHA (See pg. 51)	BIG-1150-O
OS-500-OMAHA (See pg. 86)	SUPER-500-O
OS-500-WSSC (See pg. 86)	SUPER-500-O
OT-500 (See pg. 86)	SUPER-500-O
OT-500-JCW (See pg. 86)	SUPER-500-O
OT-500-CS3 (See pg. 86)	SUPER-500-O
OT-500-SS (See pg. 86)	SUPER-500-O
OT-500-SS-CS3 (See pg. 86)	SUPER-500-O
OT-750 (See pg. 87)	SUPER-750-O
OT-750-CS3 (See pg. 87)	SUPER-750-O
OT-750-CS6 (See pg. 87)	SUPER-750-O
OT-750-JCW (See pg. 87)	SUPER-750-O
OT-750-SS (See pg. 87)	SUPER-750-O-HLA

OT-1000 (See pg. 88)	SUPER-1000-O
OT-1000-CS3 (See pg. 88)	SUPER-1000-O
OT-1000-CS6 (See pg. 88)	SUPER-1000-O
OT-1000-SS (See pg. 88)	SUPER-1000-O-HLA
OT-1500 (See pg. 91)	SUPER-1500-O
OT-1500-CS3 (See pg. 91)	SUPER-1500-O
OT-1500-SS-CS3 (See pg. 91)	SUPER-1500-O
OT-1500-SS (See pg. 91)	SUPER-1500-O-HLA
OT-1500-JCW (See pg. 91)	SUPER-1500-O
OS-1600-WSSC (See pg. 91)	SUPER-1500-O
OT-2000 (See pg. 92)	SUPER-2000-O
OT-2000-CS3 (See pg. 92)	SUPER-2000-O
OT-2000-SS (See pg. 92)	SUPER-2000-O
OT-2000-SS-CS3 (See pg. 92)	SUPER-2000-O

OIL INTERCEPTORS - COLLECTION TANKS

Schier	MIFAB
OCT-15 (See pg. 35)	Lil-15-O-HT
OCT-25 (See pg. 35)	Lil-25-O-HT
OCT-35 (See pg. 35)	Lil-35-O-HT
OCT-50 (See pg. 51)	BIG-500-O-HT
OCT-125 (See pg. 51)	BIG-750-O-HT
OCT-275 (See pg. 51)	BIG-1150-O-HT

SOLIDS INTERCEPTORS

Striem	MIFAB
AA-S (See pg. 36)	Lil-15-S
AA-M (See pg. 36)	Lil-50-S
AA-L (See pg. 52)	BIG-55-S
AA-XL-4 (See pg. 52)	BIG-140-S
AA-XL-6 (See pg. 52)	BIG-140-S-F6
HLB-1176-1 (See pg. 36)	Lil-7-S
HLB-1176-2 (See pg. 36)	Lil-7-S
HLT-1176-1 (See pg. 36)	Lil-7-S
HLT-1176-2 (See pg. 36)	Lil-7-S
PS-15-S (See pg. 36)	Lil-15-S
PS-25-S (See pg. 36)	Lil-25-S
PS-35-S (See pg. 36)	Lil-35-S
PS-50-S (See pg. 36)	Lil-50-S
PS-125-S (See pg. 52)	BIG-55-S
PS-275-S (See pg. 52)	BIG-300-S
SI-50 (See pg. 52)	BIG-55-S
SI-75 (See pg. 52)	BIG-140-S
SI-250 (See pg. 52)	BIG-300-S
SI-500 (See pg. 85)	SUPER-500-S
USI-1180-1 (See pg. 36)	Lil-7-S
USI-1180-2 (See pg. 36)	Lil-7-S
USI-1184-1 (See pg. 36)	Lil-7-S
USI-1184-2 (See pg. 36)	Lil-7-S

OIL / SEDIMENT INTERCEPTORS (CATCH BASINS)

Striem	MIFAB
CB-50-G (See pg. 58)	BIG-55-OS
CB-125-G (See pg. 58)	BIG-140-OS
CB-500-G (See pg. 83)	SUPER-500-OS
OS-100-OMAHA (See pg. 58)	BIG-300-OS-OMAHA

ACID NEUTRALIZATION TANKS

Striem	MIFAB
LB-2-ADA (See pg. 99)	MI-NEUT-2
LB-2 (See pg. 99)	MI-NEUT-2
LB-5 (See pg. 99)	MI-NEUT-5
LB-15 (See pg. 99)	MI-NEUT-15
LB-25 (See pg. 99)	MI-NEUT-30
LB-35 (See pg. 99)	MI-NEUT-30
LB-50 (See pg. 99)	MI-NEUT-55
LB-55 (See pg. 99)	MI-NEUT-55
LB-125 (See pg. 99)	MI-NEUT-150
LB-150 (See pg. 99)	MI-NEUT-150
LB-200 (See pg. 99)	MI-NEUT-200
LB-275 (See pg. 99)	MI-NEUT-275

LB-300 (See pg. 99)	MI-NEUT-300
LB-350 (See pg. 99)	MI-NEUT-350
LB-750 (See pg. 99)	MI-NEUT-800
LB-1000 (See pg. 99)	MI-NEUT-1000
LB-1500 (See pg. 99)	MI-NEUT-2000
LB-2000 (See pg. 99)	MI-NEUT-2000

ACID NEUTRALIZATION TANKS - MONITORING PRODUCTS

Striem	MIFAB
AVA-3 (See pg. 100)	MI-NEUT-MONITOR
AVA-4 (See pg. 100)	MI-NEUT-MONITOR
CC-1 (See pg. 100)	MI-NEUT-MONITOR
SPK-A (See pg. 100)	MI-NEUT-MONITOR
SPK-B (See pg. 100)	MI-NEUT-MONITOR

DECONTAMINATION TANKS

Striem	MIFAB
BB-275 (See pg. 59)	BIG-300-DECON
BB-500 (See pg. 84)	SUPER-500-DECON
BB-750 (See pg. 84)	SUPER-750-DECON
BB-1000 (See pg. 84)	SUPER-1000-DECON
BB-1500 (See pg. 84)	SUPER-1500-DECON
BB-2000 (See pg. 84)	SUPER-2000-DECON

PUMP OUT PORT KITS

Schier	MIFAB
PP1 (See pg. 26, 27)	Lil-MAX-POK
PP2 (See pg. 26, 27)	BIG-MAX-POK
PP3 (See pg. 26, 27)	SUPER-MAX-POK

MEMBRANE CLAMP COLLAR

Schier	MIFAB
CC2	XL-MI-G-PL-FLM (2 pcs. Included)
CC1, CC2, CC16, CC-24	XL-MI-G-PL-FLM (2 pcs. Included)

HIGH LEVEL ALARM

Striem	MIFAB
AVA-3 (See pg. 94)	XL-MI-PL-HLA
AVA-4 (See pg. 94)	XL-MI-PL-HLA

FLAMABLE LIQUID INTERCEPTORS (FOR MN MARKET)

Striem	MIFAB
FLI-125 (See pg. 59)	BIG-140-DECON
FLI-275 (See pg. 59)	BIG-300-DECON

SAND INTERCEPTORS

Striem	MIFAB
CB-50-S (See pg. 58)	BIG-55-S
CB-50-SFL (See pg. 58)	BIG-55-S
CB-125-S (See pg. 58)	BIG-140-S
CB-125-SFL (See pg. 58)	BIG-140-S
CB-275-S (See pg. 58)	BIG-300-S
CB-275-SFL (See pg. 58)	BIG-300-S
CB-500-S (See pg. 79)	SUPER-500-SA
CB-750-S (See pg. 79)	SUPER-750-SA
CB-1000-S (See pg. 79)	SUPER-1000-SA
CB-1500-S (See pg. 79)	SUPER-1500-SA
CB-2000-S (See pg. 79)	SUPER-2000-SA
SI-UPC-1016 (See pg. 58)	BIG-300-OS-SC

FLOW SPLITTER

Schier	MIFAB
FS-DUO (See pg. 30)	XL-MI-G-PL-DT

SAFETY PLATE

Schier	MIFAB
Safety Manway (8010-008-01) (See pg. 30)	BIG-STR or SUPER-STR

"MIFAB's Lil Max HDPE grease interceptors are top notch with a GREAT warranty."
 - Kyle Sutich, Manager, Active Plumbing Supply, Cleveland, OH

CALIFORNIA PROPOSITION 65 WARNING. This product contains chemicals known to the State of California to cause cancer and birth defects or other reproductive harm.

GREEN TURTLE / PROCEPTOR and CANPLAS - MIFAB CROSS REFERENCE

GREEN TURTLE (PROCEPTOR) TO BIG MAX® INTERCEPTORS

Green Turtle (Proceptor)	MIFAB
GMC 50 (See pg. 50)	BIG-500
GMC 50 CSA (See pg. 50)	BIG-500
GMC 100 (See pg. 50)	BIG-750
GMC 100 PDI/CSA (See pg. 50)	BIG-750-PDI
GMC 150 (See pg. 50)	BIG-750
GMC 150 PDI/CSA (See pg. 50)	BIG-750-PDI
GMC 200 (See pg. 50)	BIG-750
GMC 200 PDI/CSA (See pg. 50)	BIG-750-PDI
GMC 250 PDI/CSA (See pg. 50)	BIG-1150-PDI
GMC 300 (See pg. 50)	BIG-1150
GMC 300 PDI/CSA (See pg. 50)	BIG-1150-PDI
Z250H (See pg. 50)	BIG-1150-PDI

OIL INTERCEPTORS

Green Turtle (Proceptor)	MIFAB
OMC 50 (See pg. 51)	BIG-500-O
OMC 100 (See pg. 51)	BIG-750-O
OMC 150 (See pg. 51)	BIG-750-O
OMC 200 (See pg. 51)	BIG-750-O
OMC 300 (See pg. 51)	BIG-1150-O

GREEN TURTLE (PROCEPTOR) TO SUPERMAX® INTERCEPTORS

Green Turtle (Proceptor)	MIFAB
GMC 500 (See pg. 70)	SUPER-500
GMC 750 (See pg. 71)	SUPER-750
GMC 1000 (See pg. 72)	SUPER-1000
GMC 1300 (See pg. 74)	SUPER-1300
GMC 1500 (See pg. 75)	SUPER-1500
GMC 2000 (See pg. 76)	SUPER-2000
GMC 2600 (See pg. 74)	SUPER-1300 x 2 pieces
GMC 3000 (See pg. 75)	SUPER-1500 x 2 pieces
GMC 500 UPC (See pg. 70)	SUPER-500
GMC 750 UPC (See pg. 71)	SUPER-750
GMC 1000 UPC (See pg. 72)	SUPER-1000
GMC 1300 UPC (See pg. 74)	SUPER-1300
GMC 1500 UPC (See pg. 75)	SUPER-1500
GMC 2000 UPC (See pg. 76)	SUPER-2000
GMC 2600 UPC (See pg. 74)	SUPER-1300 x 2 pieces

OIL INTERCEPTORS

Green Turtle (Proceptor)	MIFAB
OMC 500 (See pg. 86)	SUPER-500-O
OMC 750 (See pg. 87)	SUPER-750-O
OMC 1000 (See pg. 88)	SUPER-1000-O
OMC 1300 (See pg. 90)	SUPER-1300-O
OMC 1500 (See pg. 91)	SUPER-1500-O
OMC 2000 (See pg. 92)	SUPER-2000-O
OMC 2600 (See pg. 90)	SUPER-1300-O x 2 pieces
OMC 3000 (See pg. 91)	SUPER-1500-O x 2 pieces
OMC 500 UPC (See pg. 86)	SUPER-500-O
OMC 750 UPC (See pg. 87)	SUPER-750-O
OMC 1000 UPC (See pg. 88)	SUPER-1000-O
OMC 1300 UPC (See pg. 90)	SUPER-1300-O
OMC 1500 UPC (See pg. 91)	SUPER-1500-O
OMC 2000 UPC (See pg. 92)	SUPER-2000-O
OMC 2600 UPC (See pg. 90)	SUPER-1300-O x 2 pieces

CANPLAS - MIFAB CROSS REFERENCE

CANPLAS TO LIL MAX® GREASE INTERCEPTORS

Canplas	MIFAB
3907A02 (See pg. 34)	Lil-7
3910A02 (See pg. 34)	Lil-10
3915A02C (See pg. 34)	Lil-15
3920A02 (See pg. 34)	Lil-20 w/ MI-HUB-32
3925A02 (See pg. 34)	Lil-25 w/ MI-HUB-32
3925A03 (See pg. 34)	Lil-25
3925A02LO (See pg. 34)	Lil-25-LP w/ MI-HUB-32
3935A03 (See pg. 34)	Lil-35
3935A04 (See pg. 34)	Lil-35 w/ MI-HUB-43
3950A03 (See pg. 34)	Lil-50
3950A04 (See pg. 34)	Lil-50 w/ MI-HUB-43

SOLIDS INTERCEPTORS

Canplas	MIFAB
3911A02 (See pg. 36)	Lil-7-S
3911A-1 (See pg. 36)	Lil-7-S-SB (sediment bucket only for Lil-7-S)

PLASTER INTERCEPTORS

Canplas	MIFAB
3910PA15 (See pg. 37)	Lil-7-PL
3920PA15 (See pg. 37)	Lil-15-PL

INLET BAFFLE

Canplas	MIFAB
3920A03-3	MI-G-TRAP-1-PL-IN
3920A03-3	MI-G-TRAP-2-PL-IN
3920A03-3	MI-G-TRAP-3-PL-IN
3920A03-3	MI-G-TRAP-4-PL-IN
3920A03-3	MI-G-TRAP-5-PL-IN
3920A03-3	MI-G-TRAP-6-PL-IN
3950A03-3	MI-G-TRAP-7-PL-IN
3920A03-3	MI-G-TRAP-L-25-PL-IN

OUTLET BAFFLE

Canplas	MIFAB
3910A-4	MI-G-TRAP-1-PL-OUT
3910A-4	MI-G-TRAP-2-PL-OUT
3910A-4	MI-G-TRAP-3-PL-OUT
3910A-4	MI-G-TRAP-4-PL-OUT
3910A-4	MI-G-TRAP-5-PL-OUT
3910A-4	MI-G-TRAP-6-PL-OUT
3910A-4	MI-G-TRAP-7-PL-OUT
3910A-4	MI-G-TRAP-L-25-PL-OUT

DIFFUSER BAFFLE

Canplas	MIFAB
3910A-3	MI-G-TRAP-1-PL-DIF
3910A-3	MI-G-TRAP-2-PL-DIF
3910A-3	MI-G-TRAP-3-PL-DIF
3935A03-4	MI-G-TRAP-6-PL-DIF
3935A03-4	MI-G-TRAP-7-PL-DIF

SILICONE RUBBER LID GASKET

Canplas	MIFAB
3910A-5 (See pg. 44)	Lil-7-GASK
3910A-5 (See pg. 44)	Lil-10-GASK
3910A-5 (See pg. 44)	Lil-15-GASK
3920A-5 (See pg. 44)	Lil-20-GASK
3920A-5 (See pg. 44)	Lil-25-GASK
3935A-5 (See pg. 44)	Lil-35-GASK
3935A-5 (See pg. 44)	Lil-50-GASK
3935A-5 (See pg. 44)	Lil-25-LP-GASK

LID ASSEMBLY REPLACEMENT

Canplas	MIFAB
3910A-2ARPL (See pg. 44)	Lil-7-LID
3910A-2ARPL (See pg. 44)	Lil-10-LID
3910A-2ARPL (See pg. 44)	Lil-15-LID
3920A-2ARPL (See pg. 44)	Lil-20-LID
3920A-2ARPL (See pg. 44)	Lil-25-LID
3935A-2ARPL (See pg. 44)	Lil-35-LID
3935A-2ARPL (See pg. 44)	Lil-50-LID
3935A-2ARPL (See pg. 44)	Lil-25-LP-LID

Note: The replacement lid assembly includes the lid, gasket and latches. The PDI plate is not included - it needs to be transferred from the old interceptor

REPLACEMENT LID LATCHES

Canplas	MIFAB
3920A-9RPL (See pg. 44)	Lil-7-LTCH
3920A-9RPL (See pg. 44)	Lil-10-LTCH
3920A-9RPL (See pg. 44)	Lil-15-LTCH
3920A-9RPL (See pg. 44)	Lil-20-LTCH
3920A-9RPL (See pg. 44)	Lil-25-LTCH
3935A-6RPL (See pg. 44)	Lil-35-LTCH
3935A-6RPL (See pg. 44)	Lil-50-LTCH
3935A-6RPL (See pg. 44)	Lil-25-LP-LTCH

Note: Each model includes four replacement latch components and replacement pivot pins.

EXTENSIONS - UP TO 9" HIGH

Canplas	MIFAB
3920AX6 (See pg. 44)	Lil-25-EXT
3920AX6 (See pg. 44)	Lil-25-EXT
3935AX6 (See pg. 44)	Lil-50-EXT
3935AX6 (See pg. 44)	Lil-50-EXT
3935AX6 (See pg. 44)	Lil-25-LP-EXT

SEDIMENT BUCKETS

Canplas	MIFAB
3911A-1 (See pg. 44)	MI-G-4-PL-PSB
3911A-1 (See pg. 44)	MI-G-5-PL-PSB
3911A-1 (See pg. 44)	MI-G-6-PL-PSB
3911A-1 (See pg. 44)	MI-G-7-PL-PSB

SOLIDS INTERCEPTOR - COARSE SCREEN

Canplas	MIFAB
3911-2 (See pg. 44)	MI-G-1-PL-PSB-FSCR

SOLIDS INTERCEPTOR - FINE SCREEN

Canplas	MIFAB
3911-3 (See pg. 44)	MI-G-1-PL-PSB-FSCR

SEMI-AUTOMATIC DRAW-OFF KIT - (FOR ALLEGHENY COUNTY, PA)

Canplas	MIFAB
394000	Lil-SDKIT

Note: 3/4" size provided. Ball valve not included.

IN-LINE DRAIN STRAINER

Canplas	MIFAB
393243A	STR1.50-IPS-BRZ-LL
393243AW	STR1.50-IPS-BRZ-LL

CANPLAS TO BIG MAX® GREASE INTERCEPTORS

Canplas	MIFAB
4075A04 (See pg. 50)	BIG-750
4075A04T (See pg. 50)	BIG-750-T
40100A04 (See pg. 50)	BIG-1150
40100A04T (See pg. 50)	BIG-1150-T

EXTENSIONS

Canplas	MIFAB
40100AX18 (See pg. 61)	BIG-EXT-44
40100AX35 (See pg. 61)	BIG-EXT-44

CALIFORNIA PROPOSITION 65 WARNING. This product contains chemicals known to the State of California to cause cancer and birth defects or other reproductive harm.

Design and dimensions are subject to modification. Prices do not include applicable taxes. Visit www.mifab.com for the most recent product information.

MIFAB®, Inc., 1321 West 119th Street, Chicago, Illinois 60643-5109, USA

All sales subject to MIFAB's® Terms and Conditions. Please refer to Page 106.

USA Toll Free: 1-800-465-2736 • Fax: 1-773-341-3049

Canada Toll Free: 1-800-387-3880 • sales@mifab.com

TERMS AND CONDITIONS**WHOLESALE DISCOUNT:**

Contact MIFAB® or your local representative for your applicable discount structure.

FREIGHT ALLOWANCE: For Lil Max® and Big Max® products only: Ex Works, MIFAB®'s Illinois Factory or Manufacturer Representative's warehouse with full motor freight allowed on shipments of \$3,500.00 Net value or more of Lil Max® interceptors and / or 6 or more Big Max® interceptors, within the continental U.S.A., except Alaska, Hawaii and Puerto Rico. MIFAB® reserves the right to choose the carrier and route of shipment. Alaska: Ex Works, Seattle, WA. Hawaii: Ex Works, Los Angeles, CA. Puerto Rico: Ex Works, Miami, Florida. There is no allowance for United Parcel Service, Federal Express or Shipment by air service. Shipping dates are estimates and time of delivery is not the essence of the sale of the contract. Therefore, under no circumstances will MIFAB® have any responsibility on account of any delays in manufacture, transportation, or otherwise. Additional freight services such as construction site delivery, lift gate delivery service, re-consigned freight or notification charges, are not included in full freight allowance terms, and will result in additional freight charges. For SuperMax® interceptors, there is no freight allowance. All SuperMax® interceptors are ex-works MIFAB®'s factory in Chicago, IL or Ridgefield, WA. For the MI-NEUT Series of acid neutralization tanks, there is a \$5,000 Net full freight allowance. All acid neutralization tank orders below \$5,000 Net are freight extra.

QUOTATION TERMS: List Price and discount protected for 30 days from date issued by MIFAB®. Orders received within this period must be released for shipment within 30 days from date of purchase order, otherwise, prices will be those that are in effect at the time of shipment.

PAYMENT TERMS: Terms of payment are Net 30 days from the date of the invoice. All pricing in United States currency except for sales to customers in Canada which will be invoiced in CAD. The Buyer shall pay all sales, consumers, and / or any other applicable taxes. Past due accounts will be subject to a 2% per month service charge from the date of the invoice. If any proceedings be instructed by or against Buyer under any bankruptcy or insolvency law, or if Buyer shall fail to make timely payment on this or any other order, or if, in MIFAB®'s judgment, Buyer's financial situation justifies such action, MIFAB® may, at its election, require payment in advance or cancel the order as to any unshipped item and require payment of its reasonable cancellation charges. If Buyer delays completion of manufacture, MIFAB® may elect to require payment according to percentage of completion. Equipment held for Buyer shall be at Buyer's risk and expense. In all cases, regardless of partial payment, title to the Products shall remain with MIFAB® until payment for the Products (including any notes given therefore) has been made in full. Should legal action be necessary to enforce payment of an unpaid invoice, the Buyer will assume full responsibility for any court costs and reasonable attorney fees. All orders subject to credit check and approval prior to shipment. Confirmed irrevocable letter of credit or cash in advance of shipment is required for accounts without an established line of credit. Minimum invoice amount is \$100.00. MIFAB® reserves the right to apply a minimum order charge to equal \$100.00. MIFAB®'s Accounting Department must be notified of potential pricing errors within 30 days of the invoice date. Any terms and conditions stated on Buyer's orders which are inconsistent with MIFAB®'s quotation and Terms and Warranties shall be of no effect.

RETURNED GOODS RESTOCKING CHARGE: Standard product may be returned within a one year period only with written permission from MIFAB®. All products in catalog are not considered Standard. Standard product to be determined by MIFAB®. Returned goods are subject to a 25% restocking charge, plus cost of reconditioning, if necessary, to make material saleable. Material must be returned to MIFAB® freight prepaid only after written permission from MIFAB® to accept the returned material. Buyer must provide copy of the original invoice on which the material was charged. The original outgoing freight cost to ship the order will be deducted from the credit. Credit allowance will be in the form of merchandise credit only-not cash credit which must be used within 12 months of the date of issue. The value of a return must total \$100.00 to qualify for credit allowance. Products designated non stock and / or that have been specially made are not subject to return or cancellation.

LIMITED WARRANTY: See page 111 for MIFAB®'s Limited Lifetime Warranty.

MIFAB® MAKES NO OTHER WARRANTIES EXPRESSED OR IMPLIED AS PROVIDED IN THIS LIMITED WARRANTY.

ILLUSTRATIONS OR TYPICAL INSTALLATIONS: The typical installations for various products in each product section are intended to illustrate the products and their options. Under no circumstances are they to be construed as recommended installation procedures. Consult local codes and project specifications for proper installation instructions.

NOTE: Prices and terms are subject to change without notice and supersede all previous quotations. The right is reserved to change or modify product design or construction without prior notice and without incurring any obligation to make similar changes and modifications to product previously or subsequently sold. Contact MIFAB® for any clarification.

All sales subject to MIFAB®'s Terms and Warranties.

CONTENTS © MIFAB® INC. Copyright 2023

DESIGN AND DIMENSIONS ARE SUBJECT TO MODIFICATION. PRICES DO NOT INCLUDE APPLICABLE TAXES.

CALIFORNIA PROPOSITION 65 WARNING. This product contains chemicals known to the State of California to cause cancer and birth defects or other reproductive harm.

Design and dimensions are subject to modification. Prices do not include applicable taxes. Visit www.mifab.com for the most recent product information.

MIFAB CATALOGS



**MPB-2022-USA
SPECIFICATION
DRAINAGE
(LIT-067)**



**CLPB-2022
LIGHT COMMERCIAL
PRODUCTS
(LIT-048)**



**AD-2022-USA
ACCESS DOORS
(LIT-043)**



**BEECO-2022
BACKFLOW PREVENTERS
AND ACCESSORIES
(LIT-071)**



**NH-2022-06
NO HUB COUPLINGS
(LIT-044)**



**TDPC-2022
POLYMER CONCRETE
TRENCH DRAINS
(LIT-076)**



**TD-2023
GRP & STEEL
TRENCH DRAINS
(LIT-046)**



**TDSD-2023
SHOWER DRAINS
(LIT-077)**



**TDSS-2022
STAINLESS STEEL
TRENCH DRAINS
(LIT-072)**



**ROOFGUARD-2020
ROOFGUARD ROOF
DOMES
(LIT-058)**



**C-PORT-2023
ROOFTOP RUBBER
PIPE SUPPORTS
(LIT-047)**



**DB-2022
DIALYSIS BOXES
(LIT-070)**



**HYDROMAX-2020
SIPHONIC DRAINAGE
(LIT-082)**



**INT-2023
INTERCEPTORS & ACID
NEUTRALIZATION TANKS
(LIT-095)**



**TSP-2022-08
TRAP SEAL
PRIMERS
(LIT-062)**



CALIFORNIA PROPOSITION 65 WARNING. This product contains chemicals known to the State of California to cause cancer and birth defects or other reproductive harm.

Design and dimensions are subject to modification. Prices do not include applicable taxes. Visit www.mifab.com for the most recent product information.

MIFAB®, Inc., 1321 West 119th Street, Chicago, Illinois 60643-5109, USA
All sales subject to MIFAB's® Terms and Conditions. Please refer to Page 106.

USA Toll Free: 1-800-465-2736 • Fax: 1-773-341-3049
Canada Toll Free: 1-800-387-3880 • sales@mifab.com



MADE IN THE



INT-2023

2023

INTERCEPTOR
CATALOG

HDPE INTERCEPTORS &
ACID NEUTRALIZATION TANKS



LIL-MAX

-

BIG-MAX

-

SUPER-MAX

LIT-095