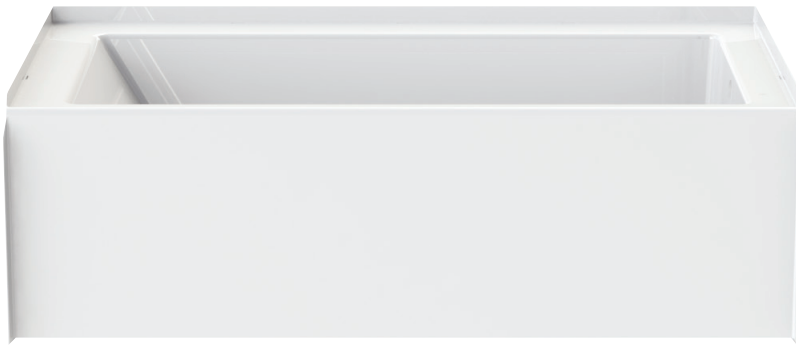


# VP6032CTMIN

60 x 32 x 18



PROFESSIONAL

## FEATURES

- Pre-Levelled base
- Slip resistant, textured bottom
- Available in White only
- Left, right drain
- Modern, matte finish
- 15-year residential limited warranty

## OPTIONS

- Coordinating wall sets available

## PACKAGED DIMENSIONS

- 63 x 36 1/2 x 21

## VERITEK PRO

Lightweight and durable, Veritek Pro is produced with Swan Solid Surface, a proprietary SMC compound.

Veritek Pro is the better bathroom solution and is a snap to install!

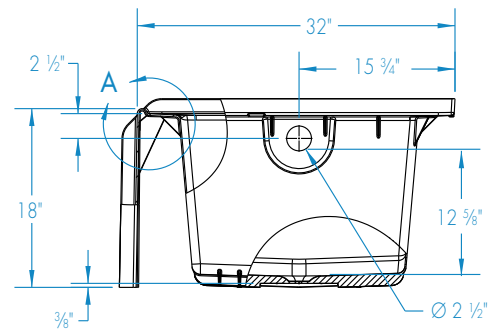
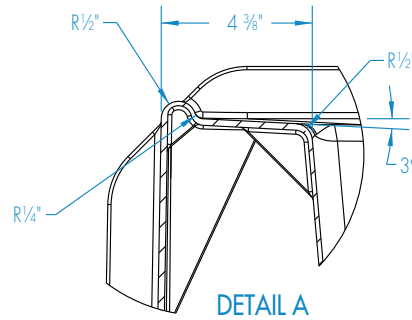
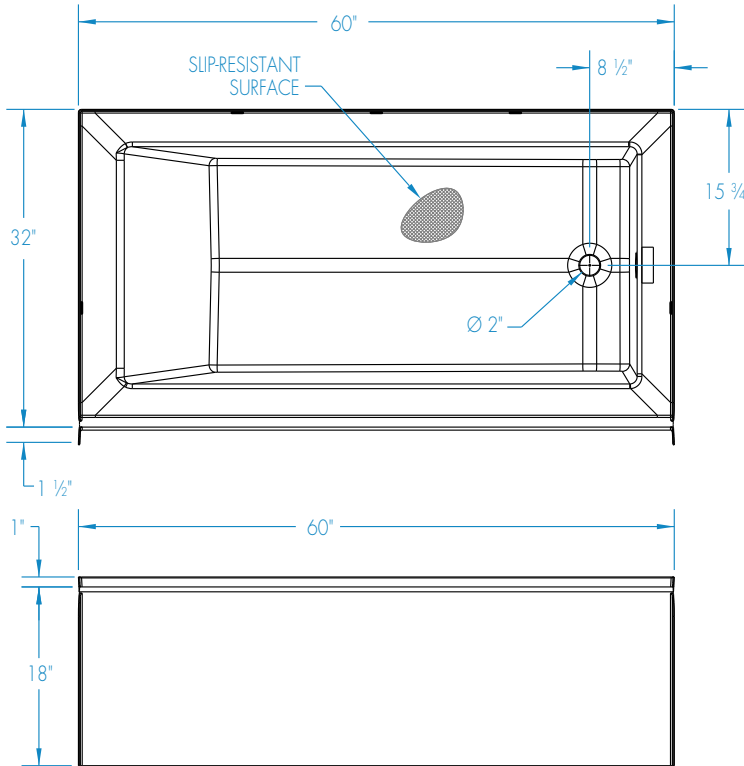
Available in the Following Offerings:

Depth	Width	Height Standard	Height AFR	Model Number	
				Standard	AFR
32	60	18	21	VP6032CTMIN	VP6032CTMM

- **Standard:** Base model shower, tub, or tub shower offering
- **Above Floor Rough (AFR):** Clearance for drain placement, eliminating the need for drain relocation



# VP6032CTMIN

 60 x 32 x 18  
inches


**FEATURES** Dimensional Tolerance  $\pm 3/8"$ . Dimensions needed for site preparation should be measured from the unit. Manufacturer assumes no responsibility for preparatory work.

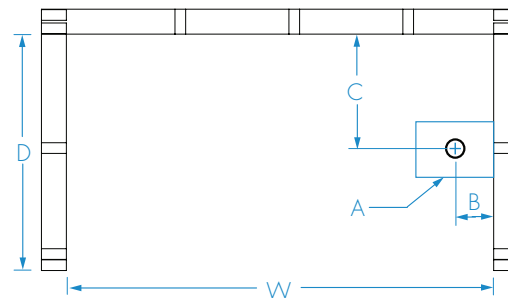
Type	Model #	Material	Height	Drain	Net Wt. lbs	Pkg. Wt. lbs
Standard Soaker	VP6032CTMINL/R	Swan Solid Surface	18	LH or RH	57	65

## DIMENSIONS

Specifications	
<b>Width:</b> Overall / Net	60
<b>Depth:</b> Overall / Net	33 1/2 / 32
<b>Height:</b> Overall / Net	19 / 18
<b>Enclosure Opening</b>	-
<b>Skirt Height</b>	18
<b>Drain Rough-In</b> (from Back Wall)	15 3/4
<b>Drain Rough-In</b> (from Side Wall)	2 3/4
<b>Drain:</b> Diameter / Clearance	2 / 1/2

## FRAMING DIMENSIONS inches

Type	D Depth	W Width	H Height	A	B	C
Alcove	33 1/2	60	19	Box Out	2 3/4	15 3/4



## SUMP DATA

Top of Drain to Bottom of Overflow	Capacity to Overflow gal	Min. Operating Capacity gal	WIDTH @ centerline		DEPTH @ centerline	
			Top	Bottom	Top	Bottom
12 5/8	52 3/10	-	51 5/8	42 1/8	23 7/8	21 3/8

