





- Elongated Edge Bowl.
- New 16-7/8" Easy-Height™.
- Up to 20% water savings over conventional 1.6 gpf toilets.
- Sani-Glazed™ trapway gives years of sanitary, trouble-free use.
- Powerful Vortex-Jet™ flushing system scrubs the bowl with every flush.
- Full size water surface and seal for a clean and sanitary bowl.
- Quick-Install™ tank to bowl fittings speed installation and helps reduce potential leaks.
- Side mount chrome handle.
- Available in White.
- Seat not included.
- All Western products are IAPMO tested and meet or exceed  standards.
- Meets ADA  requirements with seat installed.
- Certified by IAPMO to meet or exceed the EPA WaterSense standards.



With Western the water savings are significant and maintenance is minimal.

**Our customers tell us it's
"The Best Flushing Toilet in America!"**

For more information please contact us toll-free:

877-WPWORKS (979-6757)

US Sales and Service

Phone 562.229.0910 • Fax 562.229.0930

www.westernpottery.com • Email: info@westernpottery.com

14405 Best Avenue • Norwalk, California 90650

B652/T6

1.28 gpf

PHYSICAL PROPERTIES

Model: B625/T6

Water Surface: 6-1/8" x 8-5/8"
(155mm x 220mm)

Water Seal: 2" (50mm)

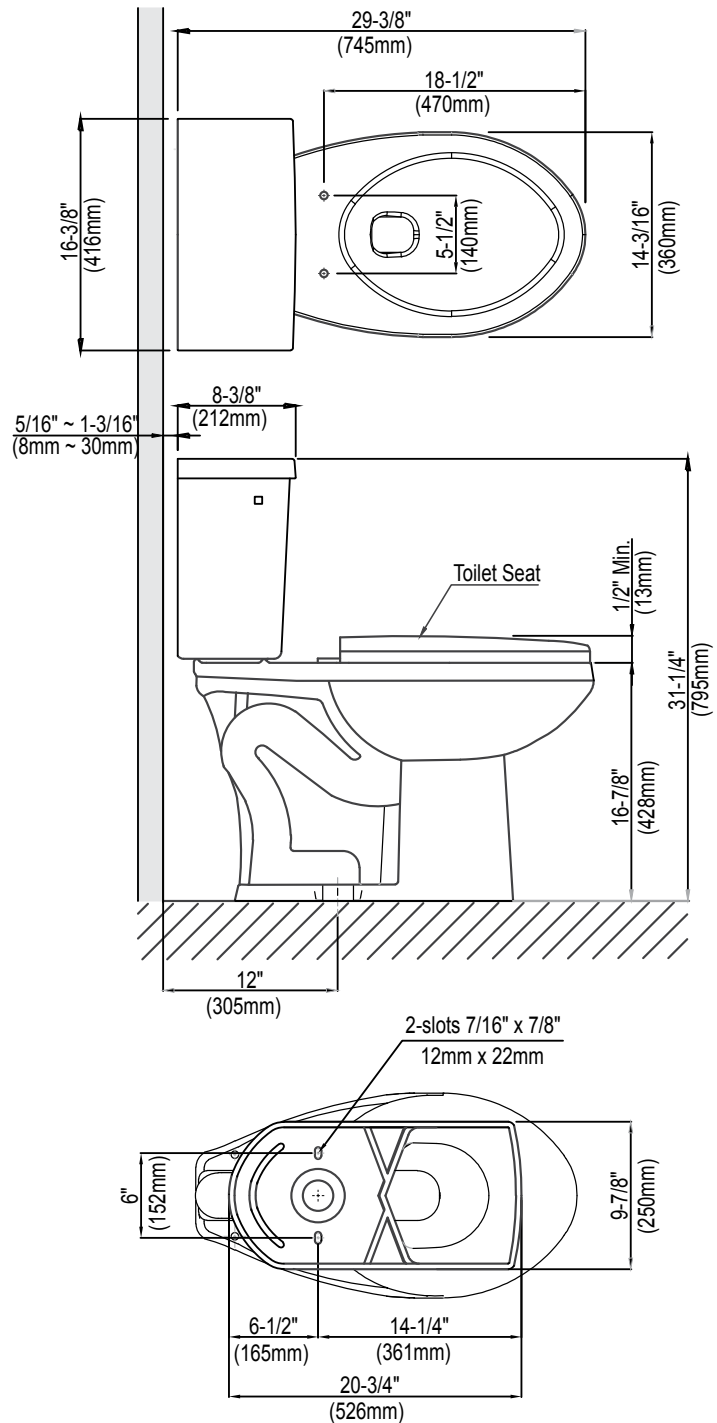
Water Consumption: 1.28 gpf. (4.8 Lpf)

Shipping Weight: 51 lbs bowl
33 lbs tank

Shipping Cube: 4.39 ft bowl
1.62 ft tank

Rough-in: 12" (305mm)

MaP: 1000 grams



IMPORTANT: These dimensions are nominal and vary within the range of tolerances established by ASME standard A112.19.2.



For more information please contact us toll-free:

877-WPWORKS (979-6757)

www.westernpottery.com • Email: info@westernpottery.com