

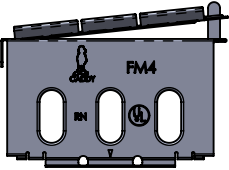
FM4 & FM411

First Means of Securement for RBS16HD/RBS24HD and TB45P/TB45PK/TB4PU

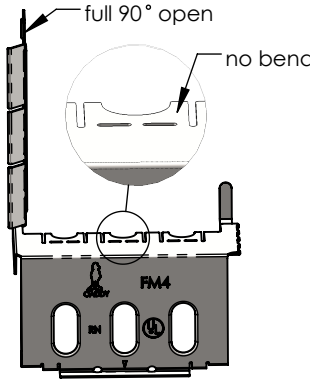
Part No.	Box Size	EMT Conduit Size	MC Cable Size	Mating Part No.	Page
FM4	4" x 2-1/8"	3/4" Conduit Only	14-2 to 12-3	RBS16HD/RBS24HD	See Page 1
				TB45P/TB45PK/TB4PU	See Page 2
FM411	4-11/16" x 2-1/8"	3/4" Conduit Only	14-2 to 12-3	RBS16HD/RBS24HD	See Page 1
				TB45P/TB45PK/TB4PU	See Page 2

Installation Steps for FM4/FM411 with RBS16HD/RBS24HD

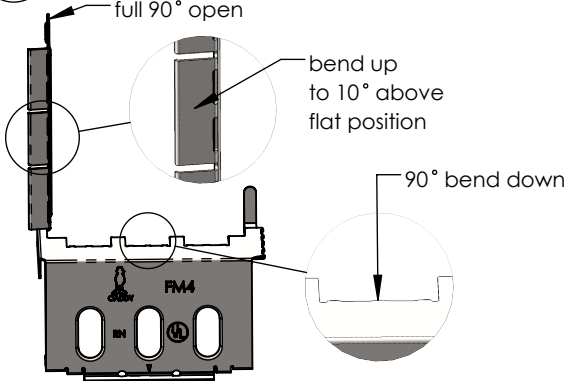
1 As Shipped



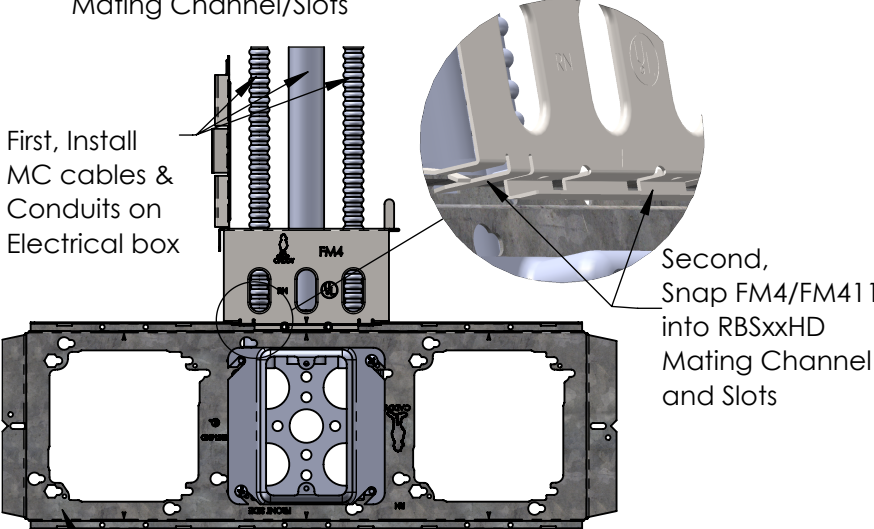
2-1 For MC Cable



2-2 For 3/4" EMT Conduit



3 Install MC Cables and Conduits on the Electrical Box and then Snap FM4/FM411 into RBS16HD/RBS24HD Mating Channel/Slots

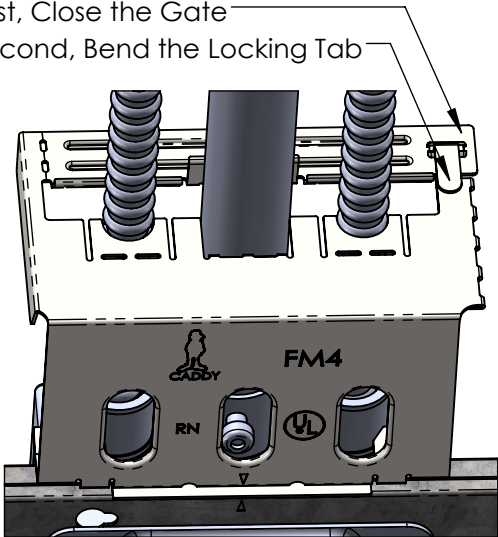


First, Install MC cables & Conduits on Electrical box

Second, Snap FM4/FM411 into RBSxxHD Mating Channel and Slots

RBS16HD/RBS24HD, Sold Separately

4 Close the Gate and then Bend the Locking Tab



First, Close the Gate
Second, Bend the Locking Tab

WARNING:

- nVent products shall be installed and used only as indicated in nVent product instruction sheets and training materials. Instruction sheets are available at www.nVent.com and from your nVent customer service representative.
- nVent products must never be used for a purpose other than the purpose for which they were designed or in a manner that exceeds specified load ratings.
- All instructions must be **completely** followed to ensure proper and safe installation and performance.
- Improper installation, misuse, misapplication or other failure to completely follow nVent's instructions and warnings may cause product malfunction, property damage, serious bodily injury and/or death, and void your warranty.
- Products that are manufactured using spring steel components shall be used only in a non-corrosive indoor environment.
- All pipe supports, hangers, intermediate components and structural attachments must **ONLY** be used as described herein and are **NEVER** to be used for any other purpose.

NOTE: All load ratings are for static conditions and do not account for dynamic loading such as wind, water or seismic loads, unless otherwise noted.

The customer is responsible for:

- Conformance to all governing codes.
- The integrity of structures to which the products are attached, including their capability of safely accepting the loads imposed, as evaluated by a qualified engineer.
- Using appropriate industry standard hardware as noted above.

SAFETY INSTRUCTIONS:

All governing codes and regulations and those required by the job site must be observed. Always use appropriate safety equipment such as eye protection, hard hat, and gloves as appropriate to the application.

nVent, nVent CADDY, nVent ERICO Cadweld, nVent ERICO Critec, nVent ERICO, nVent ERIFLEX, and nVent LENTON are owned by nVent or its global affiliates. All other trademarks are the property of their respective owners. nVent reserves the right to change specifications without prior notice.

TECHNICAL SUPPORT:
www.nVent.com

CFS616_D

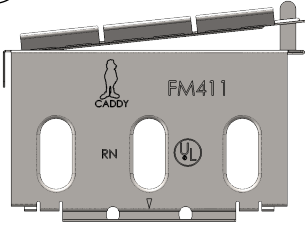
1 OF 2

© 2020 nVent All Rights Reserved

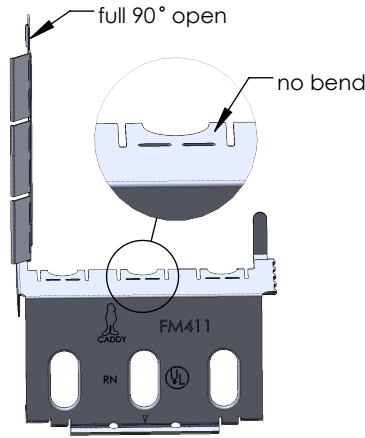


Installation Steps for FM4/FM411 with TB45P/TB45PK/TB4PU

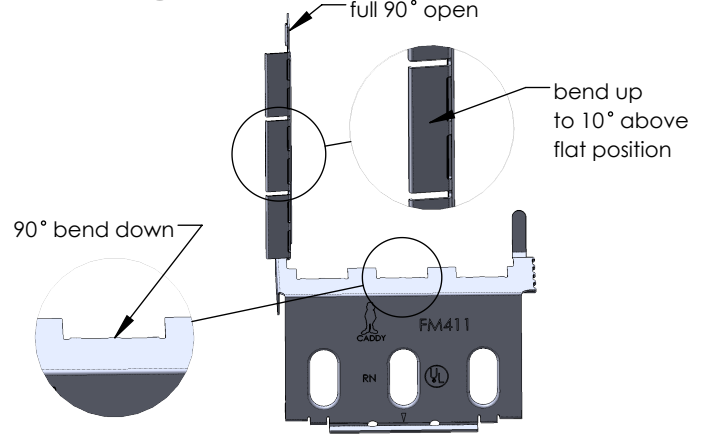
1 As Shipped



2-1 For MC Cable

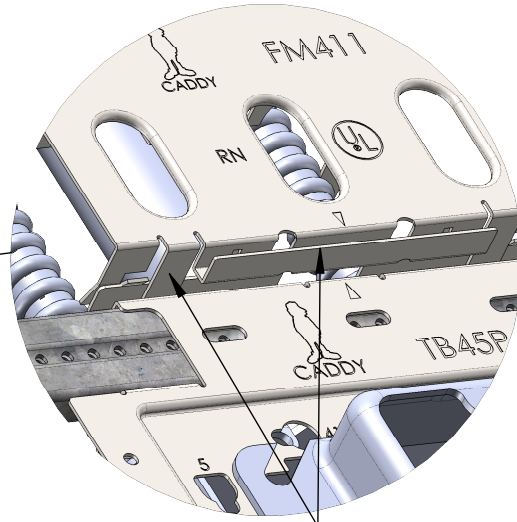
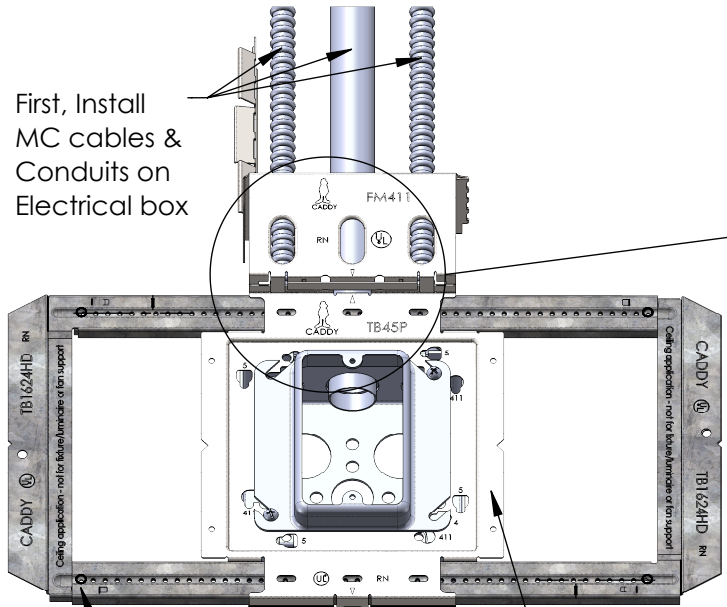


2-2 For 3/4" EMT Conduit



3 Install MC Cables and Conduits on the Electrical Box and then Snap FM4/FM411 into TB45P/TB45PK/TB4PU Mating Channel/Slots

First, Install MC cables & Conduits on Electrical box

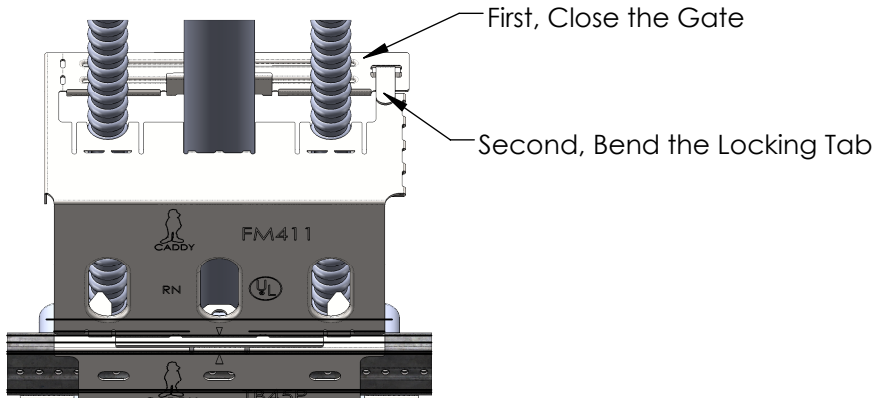


Second, Snap FM4/FM411 into TB45P/TB45PK/TB4PU Mating Channel/Slots

TB1624HD, Sold Separately

TB45P/TB45PK/TB4PU, Sold Separately

4 Close the Gate and then Bend the Locking Tab



nVent, nVent CADDY, nVent ERICO Cadweld, nVent ERICO Critec, nVent ERICO, nVent ERIFLEX, and nVent LENTON are owned by nVent or its global affiliates. All other trademarks are the property of their respective owners. nVent reserves the right to change specifications without prior notice.

TECHNICAL SUPPORT:
www.nVent.com

CFS616_D

2 OF 2

© 2020 nVent All Rights Reserved

