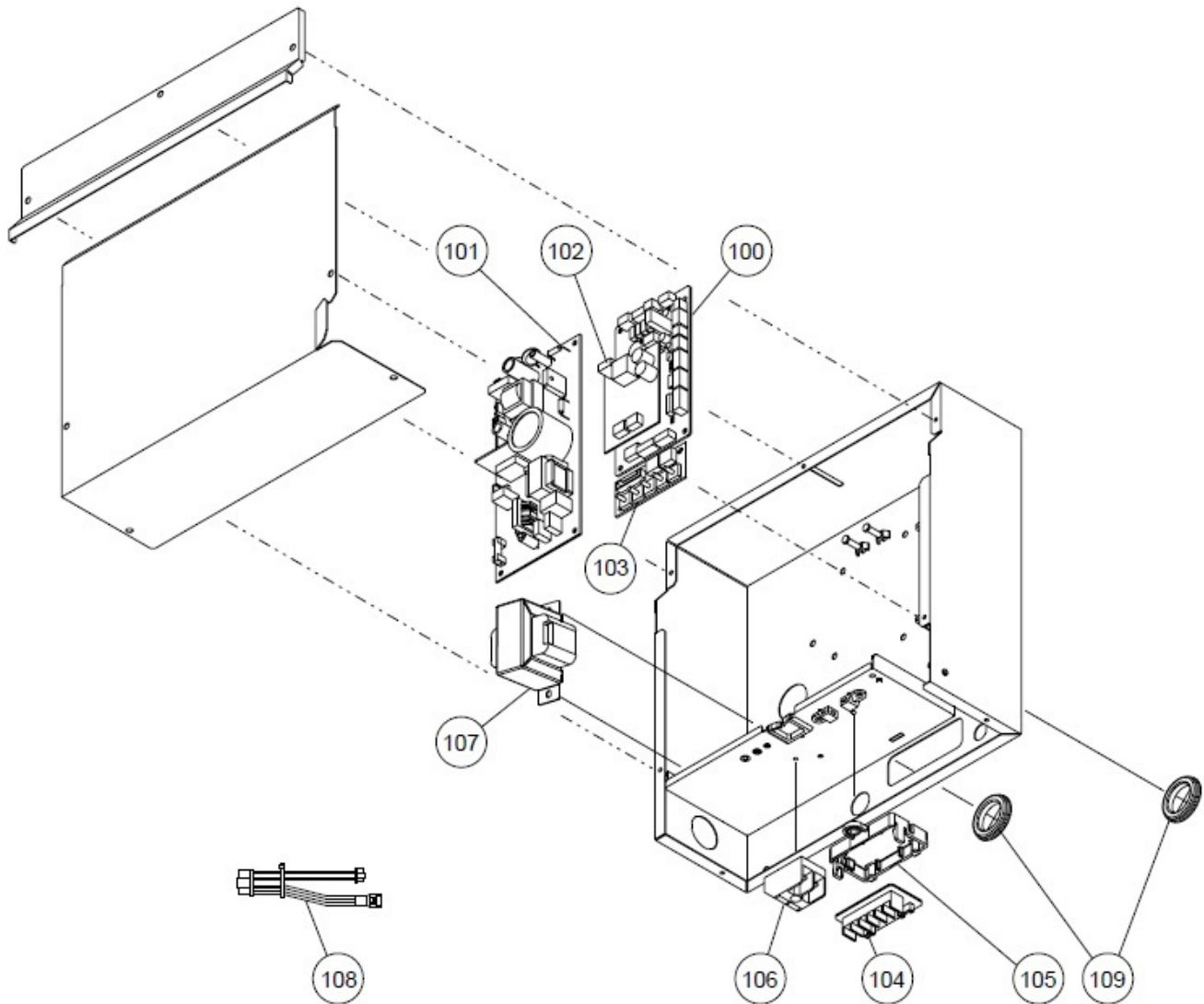


Diagrams for Model ARUM36TLAV2

Model Information: [ARUM36TLAV2](#) VRF Inner Unit - H/R 36,000 BTU - Medium static pressure duct

A complete list of parts used in this diagram is listed below.

MODELS : ARUM24/ 30/ 36TLAV2



Listed below are parts available for ARUM36TLAV2. To purchase a part enter the desired quantity on the parts line. Once you have selected parts to purchase, click the Submit button located at the bottom of the list.

Item #	Part #	Price	In-Stock Rating		Description
			East Coast	West Coast	
100	K9711039217	\$41.13	Fair	Not in Stock	CONTROLLER PCB VAB K17PD-1905HSE-C1
101	K9711356024	\$30.58	Not in Stock	Not in Stock	FILTER PCB VAB K18TT-1802HSE-P0
102	K9709373026	\$38.77	Good	Good	COMMUNICATION PCB IN VAB K11AI-1600HSE-CA1
103	K9707732030	\$14.16	Fair	Fair	SWITCH PCB ASSY VAB K06EL-1600HSE-SW0
104	K9707736014	\$12.35	Low	Good	TERMINAL PCB VAB# K07CQ-0700HSE-TM0
105	K9378345010	\$1.00	Low	Not in Stock	HOLDER B POWER TERMINAL VAB PS V-0
106	K9703873027	\$3.93	Good	Low	TERMINAL 2P VAB AR+* HP-T3039-5
107	K9707457018	\$9.10	Low	Low	REACTOR ASSY AR*HFI HVAB# RLEY41-18 22MH 1.8A TAMK1028

Diagrams for Model ARUM36TLAV2

108	K9707854022	\$1.56	Good	Good	WIRE TH CONNECT VAB UL1430 #24 4P
109	K9352173011	\$1.96	Not in Stock	Low	CAP CABLE HVAB # RUBBER (EPDM 1YR5)

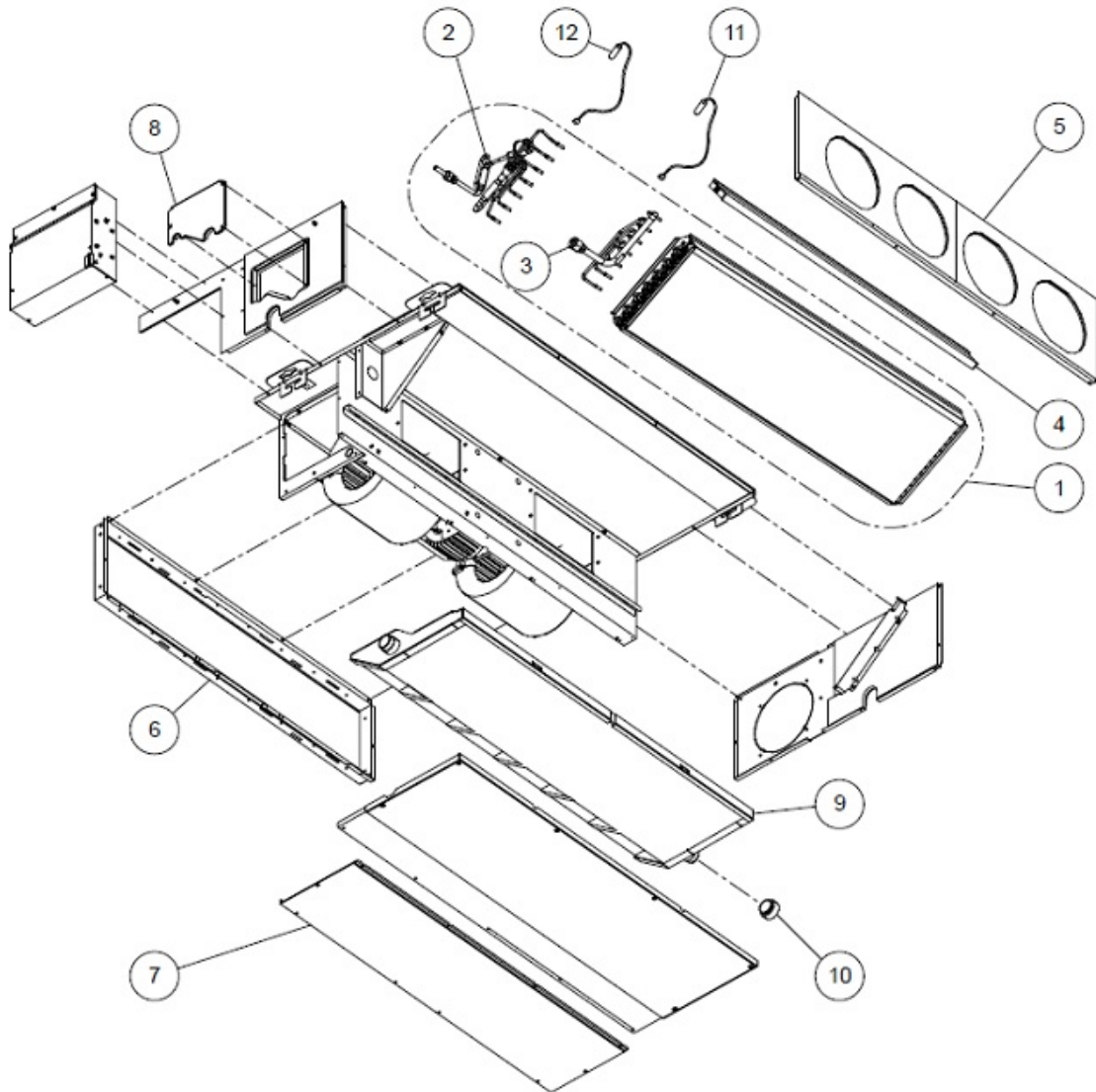
SUBMIT

Diagrams for Model ARUM36TLAV2

Model Information: [ARUM36TLAV2](#) VRF Inner Unit - H/R 36,000 BTU - Medium static pressure duct

A complete list of parts used in this diagram is listed below.

MODELS : ARUM24/ 30/ 36TLAV2



Listed below are parts available for ARUM36TLAV2. To purchase a part enter the desired quantity on the parts line. Once you have selected parts to purchase, click the Submit button located at the bottom of the list.

Item #	Part #	Price	In-Stock Rating		Description
			East Coast	West Coast	
1	K9383816253	\$270.46	Not in Stock	Low	EVAPORATOR TA VAB DWW
10	K9356541007	\$2.14	Low	Fair	DRAIN CAP ARUM24+ VAB# RUBBER
11	K9900883010	\$2.54	Not in Stock	Good	THERMISTOR PIPE-IN VAB EP6M513NT-14C016 L=900mm
12	K9900509026	\$3.91	Not in Stock	Good	THERMISTOR PIPE OUT VAB# PT2M-51G-F1-3 BLUE CONNECTOR
2	K9380307723	\$87.63	Not in Stock	Low	DISTRIBUTOR ASSY VAB BRAZING
3	K9371333267	\$21.18	Not in Stock	Low	COUPLING PP ASSY AL64 VR2 BRAZING

Diagrams for Model ARUM36TLAV2

4	K9374515011	\$44.57	Not in Stock	Low	SEAL PANEL EVAP ARUM VAB# SGCC Z-C-X Z22 TO.8
5	K9374510016	\$20.26	Not in Stock	Low	OUTLET PANEL ARUM24~36 VII# SGCC Z-C-X Z22 T0.8
6	K9374216017	\$11.34	Not in Stock	Low	INTAKE FRAME ARUM24~36 VII# SGCCZ-C-Z22 T0.8
7	K9374512010	\$28.36	Not in Stock	Low	INTAKE COVER SA ARUM24~36 VII ARY25UUAN, SGCC
8	K9374514014	\$2.57	Not in Stock	Low	BRACKET PIPE ASSY ARUM24+ VII# SGCC Z-C-X Z22 TO.7
9	K9374513017	\$26.33	Not in Stock	Not in Stock	DRAIN PAN ASSY ARUM VAB# SGCC N-M-O Z22 PAINT

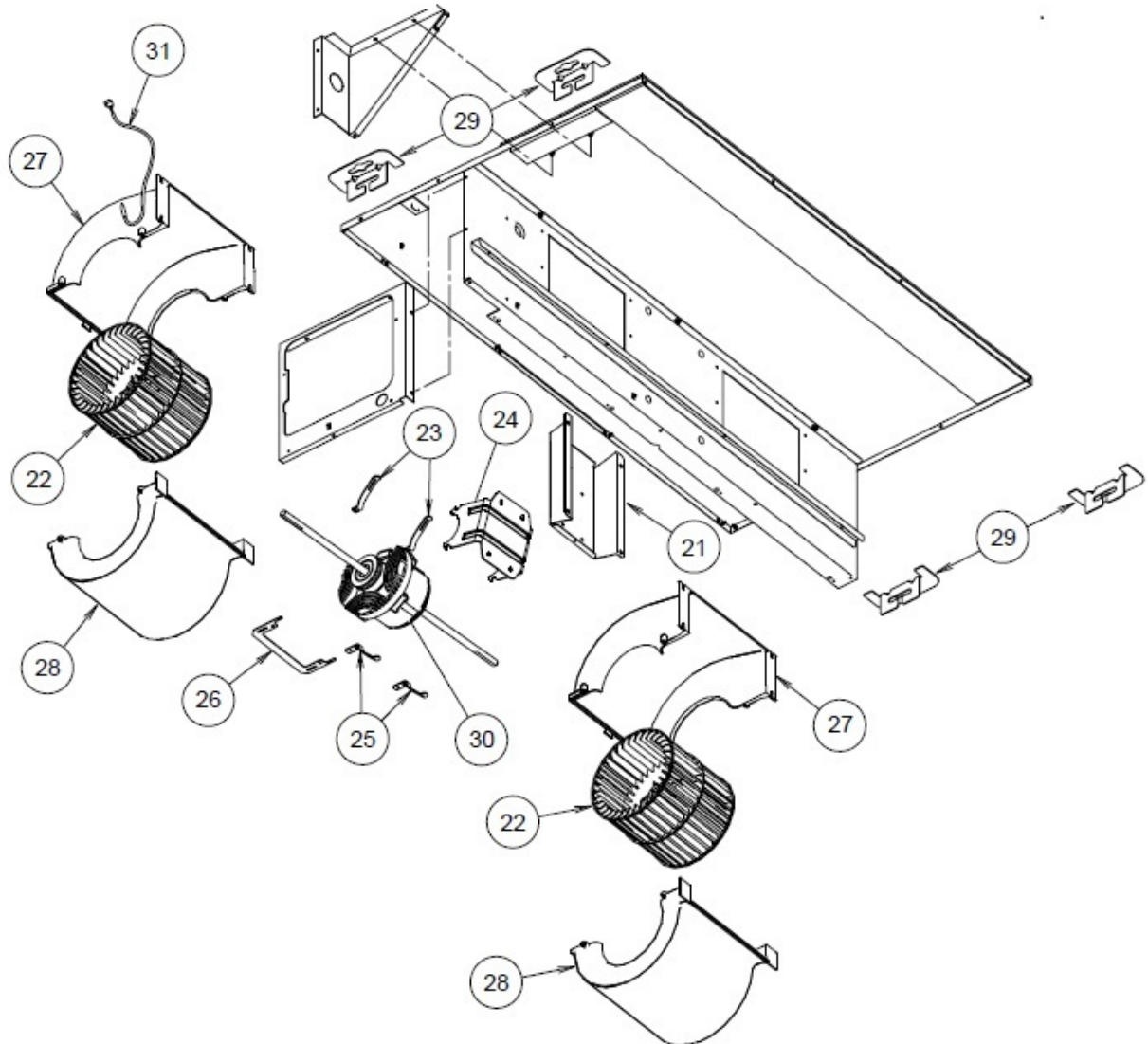
SUBMIT

Diagrams for Model ARUM36TLAV2

Model Information: [ARUM36TLAV2](#) VRF Inner Unit - H/R 36,000 BTU - Medium static pressure duct

A complete list of parts used in this diagram is listed below.

MODELS : ARUM24/ 30/ 36TLAV2



Listed below are parts available for ARUM36TLAV2. To purchase a part enter the desired quantity on the parts line. Once you have selected parts to purchase, click the Submit button located at the bottom of the list.

Item #	Part #	Price	In-Stock Rating		Description
			East Coast	West Coast	
21	K9374230013	\$4.24	Not in Stock	Low	BRACKET MOTOR ARUM24+ VII# SGCC Z-C-X Z22 T1.2 METAL
22	K9356531046	\$6.67	Not in Stock	Not in Stock	SIRROCO FAN ARUM30 VR2 PPG
23	K9378033023	\$1.00	Not in Stock	Low	BAND MOTOR ARUM24-36TLAV VR2
24	K9378002012	\$1.97	Not in Stock	Low	MOUNT MOTOR ARUM24-36TLAV VR2
25	K9378031012	\$1.97	Not in Stock	Low	BAND MOTOR W/O NUT VR2

Diagrams for Model ARUM36TLAV2

26	K9378003019	\$1.00	Not in Stock	Low	BAND RFM MOTOR ARUM24-36 VR2
27	K9374233021	\$5.44	Low	Not in Stock	CASING A AL38 VR2 PS HT-57 BLK
28	K9374234028	\$5.26	Low	Not in Stock	CASING B AL38 VR2 PS HT-57 BLK
29	K9356563009	\$1.44	Not in Stock	Not in Stock	HANGER BRACKET ARUM24~36 VAB# METAL
30	K9603293017	\$125.82	Good	Not in Stock	MOTOR DC BRUSHLESS VR2 MFG-36CVN CCC UL
31	K9900826017	\$1.41	Not in Stock	Good	THERMISTOR ROOM VAB ED2F103AR-14C013

SUBMIT

