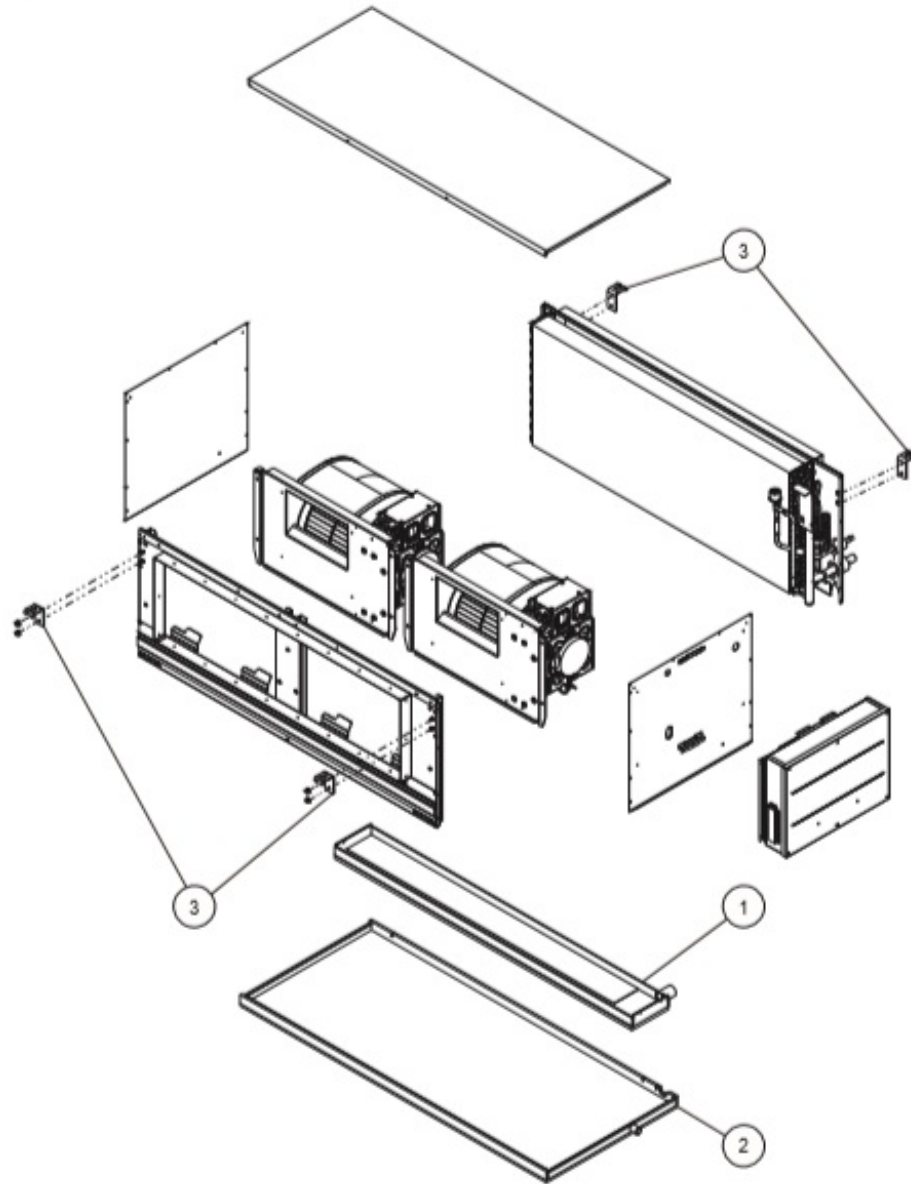


Diagrams for Model ARUH96TLAV2

Model Information: [ARUH96TLAV2](#) VRF Inner Unit - H/R 96,000 BTU - High static pressure duct

A complete list of parts used in this diagram is listed below.

MODEL : ARUH96TLAV2



Listed below are parts available for ARUH96TLAV2. To purchase a part enter the desired quantity on the parts line. Once you have selected parts to purchase, click the Submit button located at the bottom of the list.

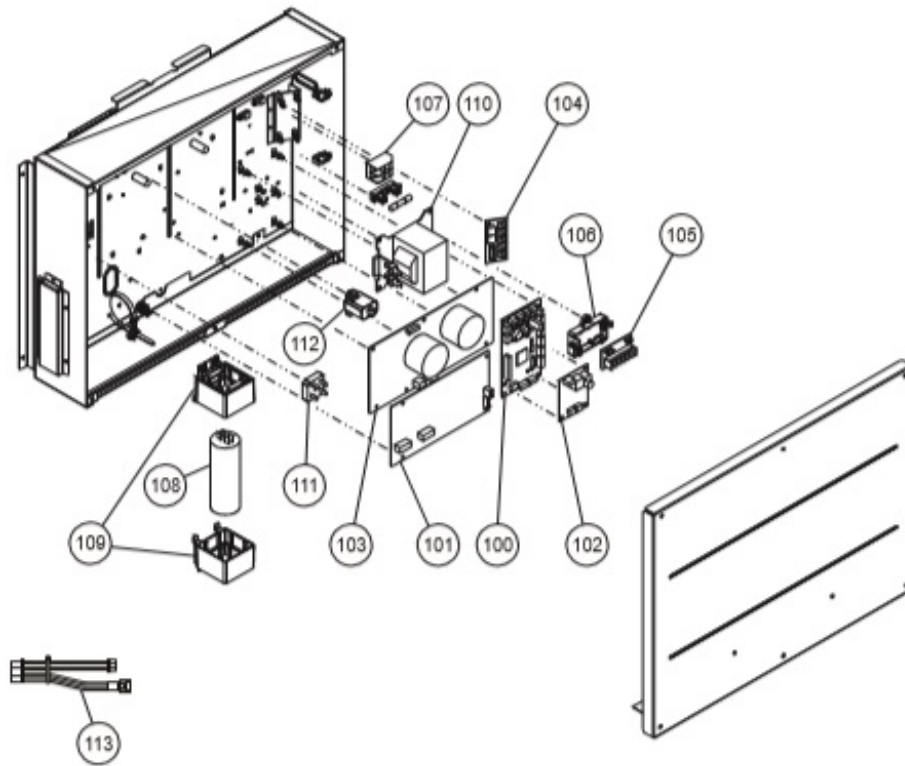
Item #	Part #	Price	In-Stock Rating		Description
			East Coast	West Coast	
101	K9379917018	\$19.37	Not in Stock	Low	DRAIN PAN ARUH VR2 DW
2	K9379918015	\$51.06	Not in Stock	Low	DRAIN PAN S VR2 DW
3	K9364669007	\$1.43	Not in Stock	Low	HOOK METAL A*U*** VR2 SS400 T5.0

Diagrams for Model ARUH96TLAV2

Model Information: [ARUH96TLAV2](#) VRF Inner Unit - H/R 96,000 BTU - High static pressure duct

A complete list of parts used in this diagram is listed below.

MODEL : ARUH96TLAV2



Listed below are parts available for ARUH96TLAV2. To purchase a part enter the desired quantity on the parts line. Once you have selected parts to purchase, click the Submit button located at the bottom of the list.

Item #	Part #	Price	In-Stock Rating		Description
			East Coast	West Coast	
100	K9711039224	\$33.33	Not in Stock	Good	CONTROLLER PCB VAB K17PD-1906HSE-C1
101	K9708279022	\$32.27	Not in Stock	Good	POWER PCB A*U*72/96 VR2 K09AR-1300HSE-P0
102	K9709373026	\$38.77	Good	Good	COMMUNICATION PCB IN VAB K11AI-1600HSE-CA1
103	K9709705025	\$39.04	Good	Not in Stock	FILTER PCB VAB K13RR-1800HSE-FL0
104	K9707732030	\$14.16	Fair	Fair	SWITCH PCB ASSY VAB K06EL-1600HSE-SW0

Diagrams for Model ARUH96TLAV2

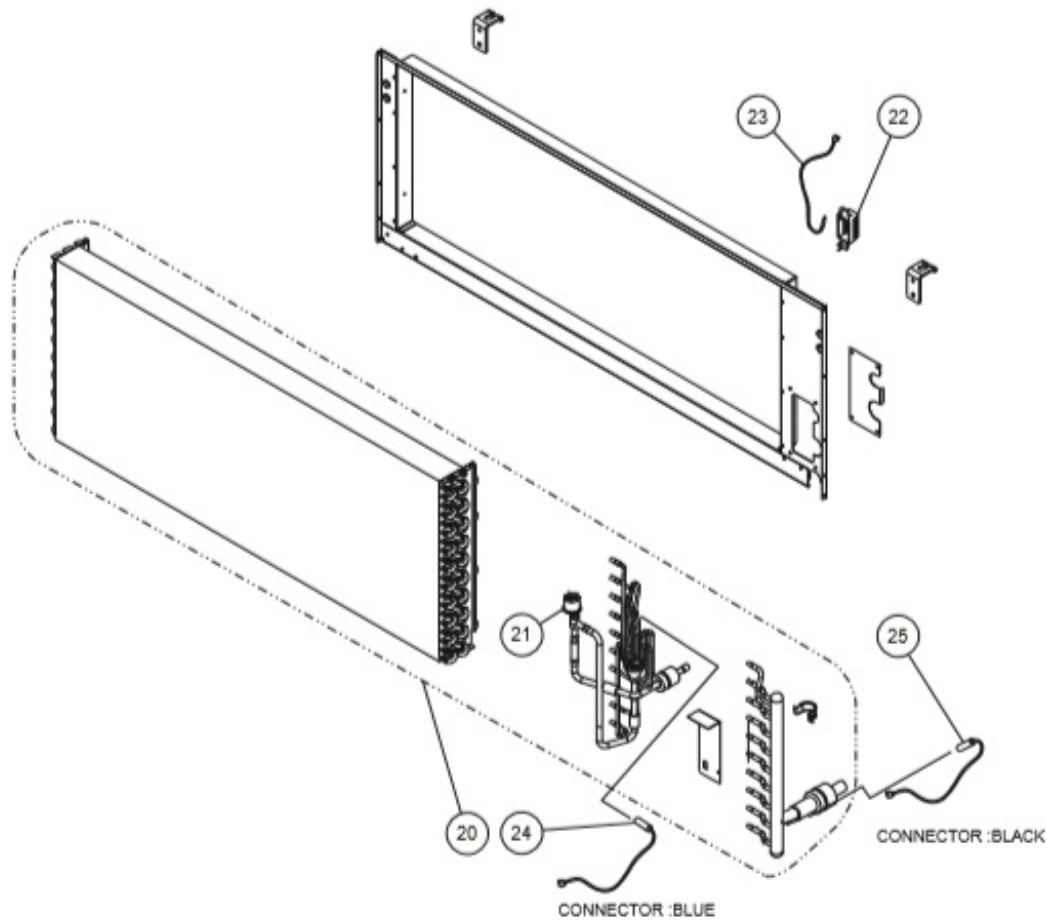
105	K9707736014	\$12.35	Low	Good	TERMINAL PCB VAB# K07CQ-0700HSE-TM0
106	K9378345010	\$1.00	Low	Not in Stock	HOLDER B POWER TERMINAL VAB PS V-0
107	K9703873027	\$3.93	Good	Low	TERMINAL 2P VAB AR+* HP-T3039-5
108	K9705387010	\$36.07	Not in Stock	Good	CAPACITOR ELEC VR2 LIN2W122MACAGC 1200uF 450V
109	K9373155010	\$1.28	Not in Stock	Low	BRACKET CAPACITOR AAUA VR2 PS V-0 BLACK
110	K9900554019	\$50.75	Not in Stock	Fair	REACTOR A*U*96 VR2 14A 6MH
111	K0100122107	\$4.21	Not in Stock	Good	DIODE BRIDGE AAUA* VR2 D25VB60-4000
112	K9704265012	\$3.85	Good	Low	POSISTOR PTC THERMISTOR HVR2# ZPR0YCE400A300
113	K9707854022	\$1.56	Good	Good	WIRE TH CONNECT VAB UL1430 #24 4P

Diagrams for Model ARUH96TLAV2

Model Information: [ARUH96TLAV2](#) VRF Inner Unit - H/R 96,000 BTU - High static pressure duct

A complete list of parts used in this diagram is listed below.

MODEL : ARUH96TLAV2



Listed below are parts available for ARUH96TLAV2. To purchase a part enter the desired quantity on the parts line. Once you have selected parts to purchase, click the Submit button located at the bottom of the list.

Item #	Part #	Price	In-Stock Rating		Description
			East Coast	West Coast	
20	K9379739160	\$572.80	Low	Not in Stock	EVAPORATOR TA VAB DWW
21	K9970087059	\$51.19	Not in Stock	Good	EXPANSION VALVE VAB EFM-A0YGKG-5
22	K313557406106	\$1.16	Not in Stock	Low	BRACKET THERMISTOR VR2 POM

Diagrams for Model ARUH96TLAV2

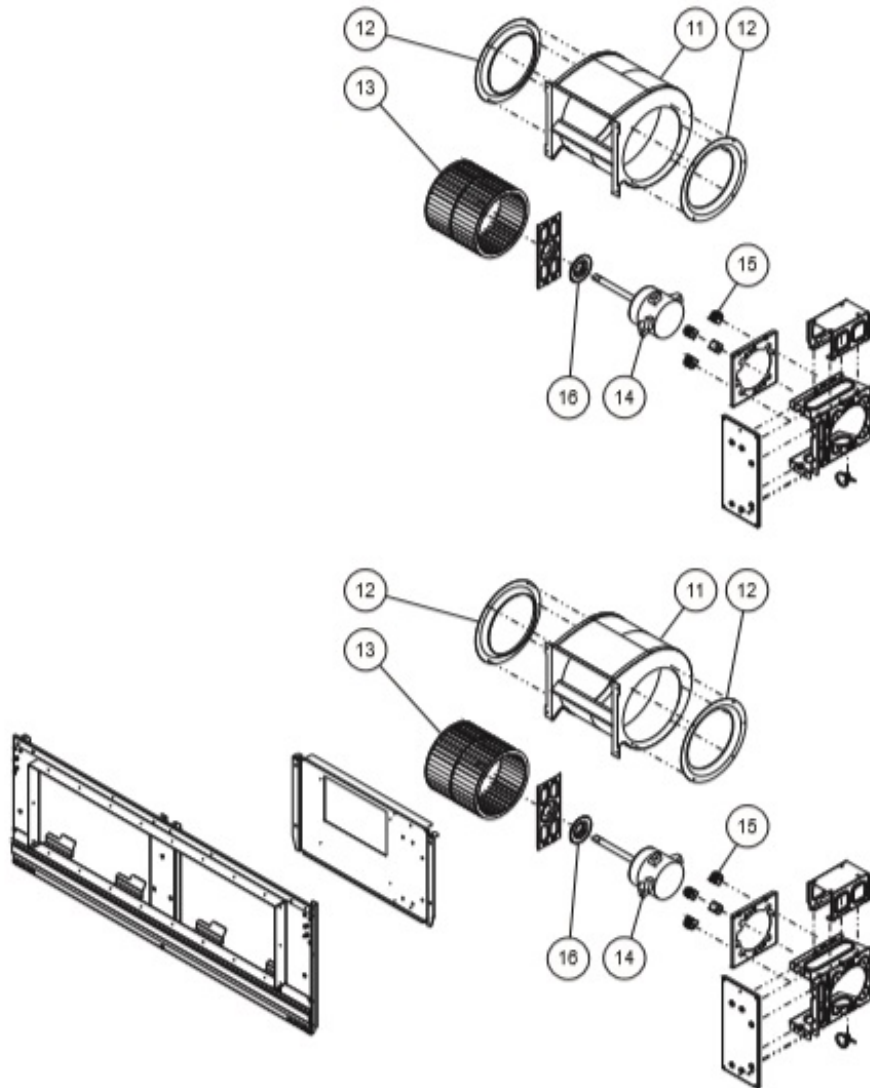
23	K9900541026	\$2.80	Not in Stock	Good	THERMISTOR ROOM VR2 DTN-C103H3T-FTZ146B
24	K9901014017	\$2.14	Not in Stock	Good	THERMISTOR PIPE VAB EP6M513NT-17B006
25	K9900874001	\$3.14	Not in Stock	Good	THERMISTOR PIPE VR2 DTN-W513H6P-FTZ347W

Diagrams for Model ARUH96TLAV2

Model Information: [ARUH96TLAV2](#) VRF Inner Unit - H/R 96,000 BTU - High static pressure duct

A complete list of parts used in this diagram is listed below.

MODEL : ARUH96TLAV2



Listed below are parts available for ARUH96TLAV2. To purchase a part enter the desired quantity on the parts line. Once you have selected parts to purchase, click the Submit button located at the bottom of the list.

Item #	Part #	Price	In-Stock Rating		Description
			East Coast	West Coast	
11	K9371381015	\$11.72	Not in Stock	Not in Stock	CASING SA KIT A*U*96 VR2 SGCC
12	K9371382012	\$1.91	Not in Stock	Low	BELL MOUTH SA AAUA96 VR2 DW
13	K9364665054	\$94.08	Not in Stock	Low	SIROCCO FAN L A*U*96 VR2 OD260 SPCC CATION

Diagrams for Model ARUH96TLAV2

14	K9602931019	\$290.84	Not in Stock	Low	MOTOR DC BRUSHLESS 96 VR2 MFG-90WVM DMUB8D2FG
15	K9379670005	\$1.00	Not in Stock	Fair	CUSHION RUBBER A*U*96 VR2 CR 50 BLACK
16	K9379501002	\$2.80	Not in Stock	Good	CUSHION RUBBER MOTOR ARUH VR2 CR 50 BLACK

