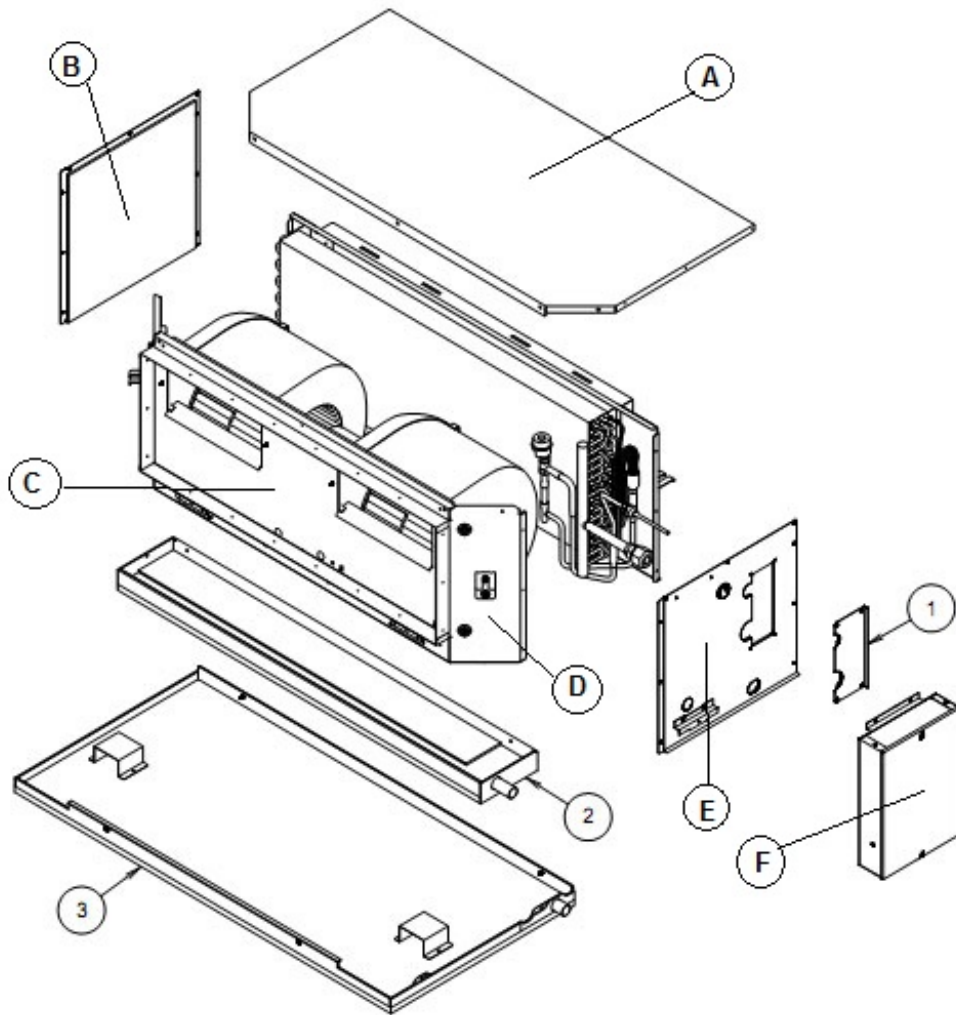


Diagrams for Model ARUH36TLAV

Model Information: [ARUH36TLAV](#) VRF Inner Unit - H/R - 36,000 BTU - High Static Duct

A complete list of parts used in this diagram is listed below.



Listed below are parts available for ARUH36TLAV. To purchase a part enter the desired quantity on the parts line. Once you have selected parts to purchase, click the Submit button located at the bottom of the list.

Item #	Part #	Price	In-Stock Rating		Description
			East Coast	West Coast	
1	K9372583012	\$1.28	Not in Stock	Low	PANEL MAINTENANCE SA ARUH36VII
2	K9372579015	\$23.45	Not in Stock	Not in Stock	DRAIN PAN ARUH36~60 VAB DW SGCC
3	K9372582015	\$36.66	Not in Stock	Not in Stock	DRAIN PAN S SA ARUH36+ VAB SGCC
A	K9372576014	\$27.22	Not in Stock	Low	PLATE TOP SA ARUH36~60 VII SGCC Z-C-X Z22 T0.8
B	K9372581018	\$6.70	Not in Stock	Low	PANEL LEFT SA ARUH36~60 VII SGCC Z-C-X Z22 T0.6

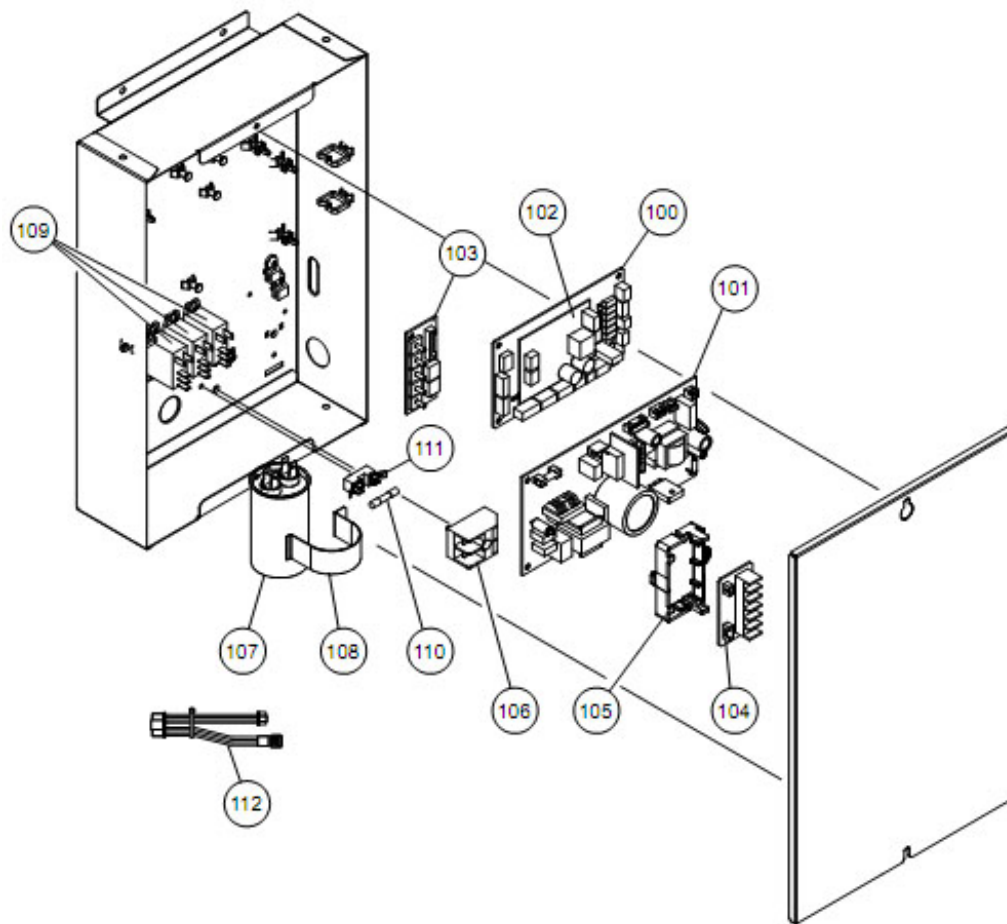
Diagrams for Model ARUH36TLAV

C	K9372035009	\$17.68	Not in Stock	Low	PANEL FAN ASSY ARUH36~60 VII SGCC Z-C-X Z22 T1.2
D	K9372637029	\$23.45	Not in Stock	Low	PANEL FRONT ARUH36~60 VII DW SGCC Z-C-X Z22 T0.6
E	K9372916025	\$8.38	Not in Stock	Low	PANEL RIGHT ASSY ARUH36~60 VII
F	K9378703032	\$9.63	Not in Stock	Not in Stock	BOX ASSY CONTROL VR2

Diagrams for Model ARUH36TLAV

Model Information: [ARUH36TLAV](#) VRF Inner Unit - H/R - 36,000 BTU - High Static Duct

A complete list of parts used in this diagram is listed below.



Listed below are parts available for ARUH36TLAV. To purchase a part enter the desired quantity on the parts line. Once you have selected parts to purchase, click the Submit button located at the bottom of the list.

Item #	Part #	Price	In-Stock Rating		Description
			East Coast	West Coast	
100	K9708970264	\$40.54	Good	Good	CONTROLLER PCB ARUH* VR2 K11BA-120AHSE-C1
101	K9708978048	\$30.54	Low	Good	POWER FILTER PCB ARUH VR2 K11BC-1200HSE-P0
102	K9709373026	\$38.77	Good	Good	COMMUNICATION PCB IN VAB K11AI-1600HSE-CA1
103	K9707732016	\$32.46	Low	Low	SWITCH PCB VAB# K06EL-0700HSE-SW0
104	K9707736038	\$7.19	Low	Good	TERMINAL PCB VAB K07CQ-1200HSE-TM0
105	K9378345010	\$1.00	Low	Not in Stock	HOLDER B POWER TERMINAL VAB PS V-0
106	K9703873027	\$3.93	Good	Low	TERMINAL 2P VAB AR+* HP-T3039-5

Diagrams for Model ARUH36TLAV

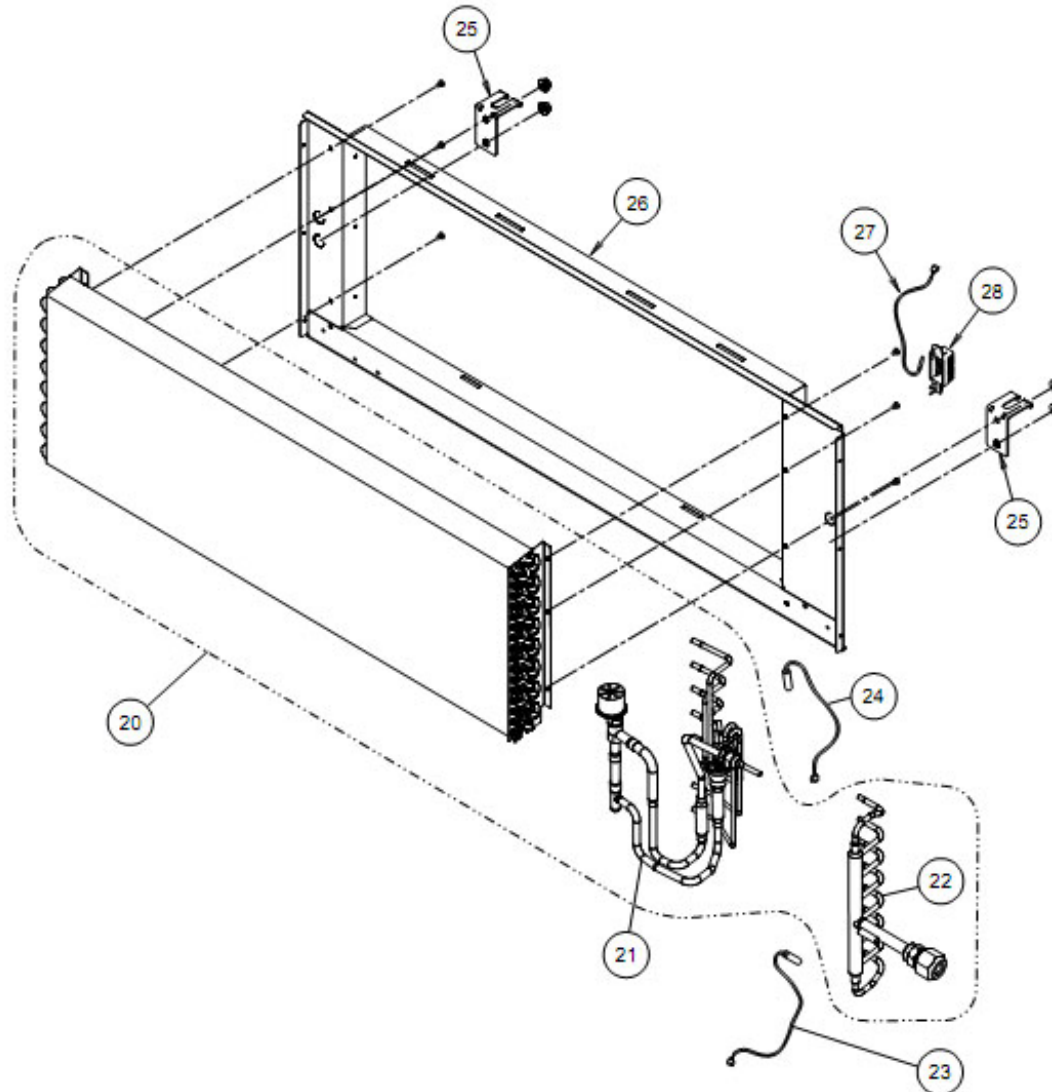
107	K9900269173	\$4.07	Not in Stock	Low	CAPACITOR FAN MOTOR ARU* VAB# 440VAC 10uF DS441106CPNC
108	K9308114006	\$1.00	Not in Stock	Low	CLAMP METAL CAPACITOR ARUH VII VR2
109	K9900294014	\$6.08	Not in Stock	Low	RELAY ARUH36~60RLAV VAB DH12D1-1F DC12V
110	K0600376116	\$1.72	Good	Good	FUSE 10A 250V HVR2 FSL (EM)
111	K0501456016	\$1.00	Not in Stock	Low	HOLDER FUSE HVR2 # HP-F2021-1 HOPPY SMALL 20mm
112	K9707854022	\$1.56	Good	Good	WIRE TH CONNECT VAB UL1430 #24 4P
A	K0600376062	\$1.00	Good	Good	FUSE PLUG IN HVAB# 3.15A 250V (EML) FSL 20mm
B	K0501675011	\$1.69	Not in Stock	Not in Stock	HOLDER FUSE RLXS TP00351-31 SOLDER REQUIRED
C	K0600376116	\$1.72	Good	Good	FUSE 10A 250V HVR2 FSL (EM)
D	K0501456016	\$1.00	Not in Stock	Low	HOLDER FUSE HVR2 # HP-F2021-1 HOPPY SMALL 20mm

SUBMIT

Diagrams for Model ARUH36TLAV

Model Information: [ARUH36TLAV](#) VRF Inner Unit - H/R - 36,000 BTU - High Static Duct

A complete list of parts used in this diagram is listed below.



Listed below are parts available for ARUH36TLAV. To purchase a part enter the desired quantity on the parts line. Once you have selected parts to purchase, click the Submit button located at the bottom of the list.

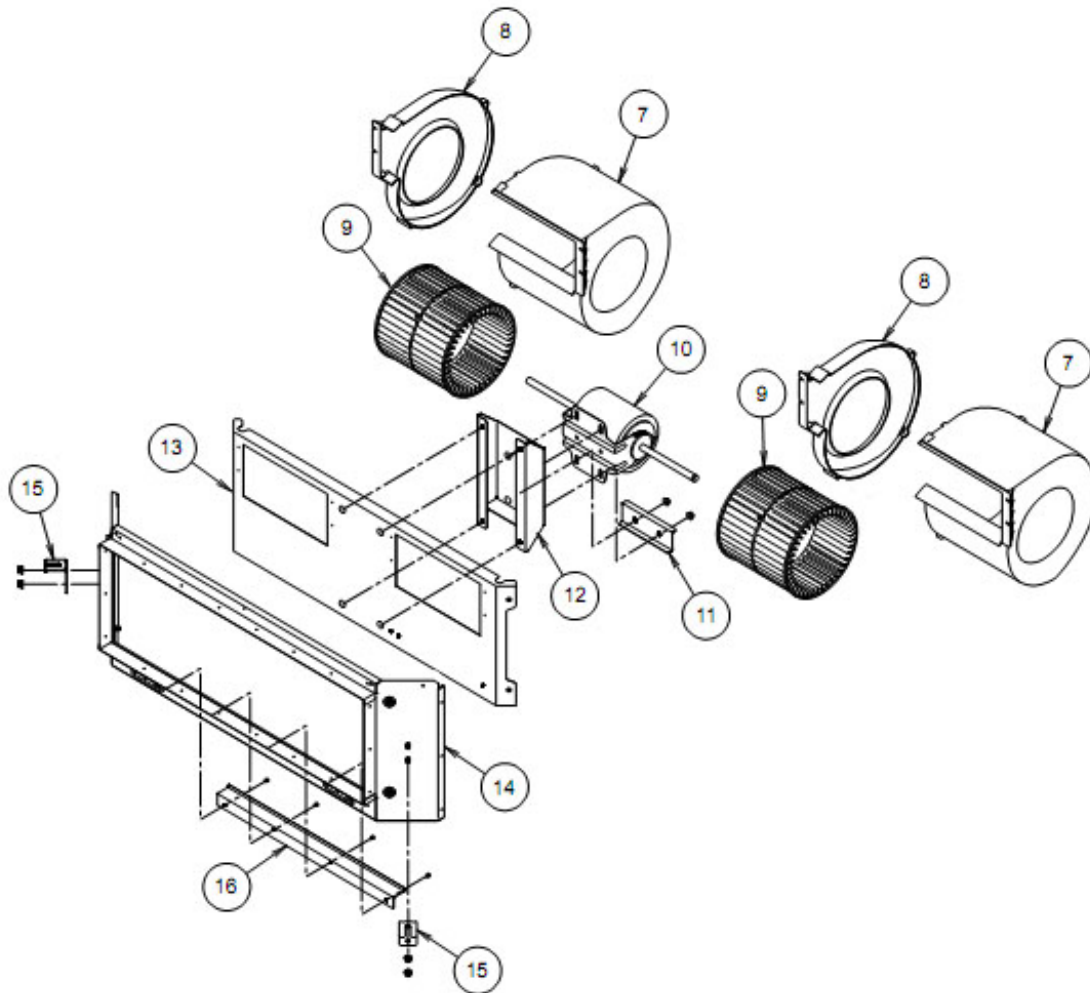
Item #	Part #	Price	In-Stock Rating		Description
			East Coast	West Coast	
20	K9372584149	\$216.38	Not in Stock	Good	EVAPORATOR TA VAB WSL OFC
21	K9380307174	\$111.55	Not in Stock	Good	DISTRIBUTOR W/EEV ARUH VAB# BRAZING
22	K9373038566	\$31.06	Not in Stock	Not in Stock	COUPLING PIPE ARUH** VAB# BRAZING
23	K9900498047	\$2.47	Not in Stock	Good	THERMISTOR PIPE OUT VAB PTM-51G-F10-5
24	K9900509002	\$2.71	Not in Stock	Good	THERMISTOR PIPE IN VAB PT2M-51G-F1-1

Diagrams for Model ARUH36TLAV

25	K9372055007	\$1.00	Not in Stock	Low	HOOK METAL A*U*** VAB SGCC Z-C-X Z22 T2.0
26	K9372636039	\$12.37	Not in Stock	Low	PANEL REAR ARUH36~60 VII
27	K9703299216	\$1.60	Fair	Good	THERMISTOR ROOM TEMP VAB KTEC-41-FG2-21
28	K9367369010	\$4.91	Not in Stock	Low	BRACKET ARUH** HVAB FOR THERMOSTAT M90-44
A	K9307767005	\$4.76	Not in Stock	Not in Stock	FLARE NUT A 3/8"HVR2# D D9.52
B	K9352769009	\$13.70	Good	Good	FLARE NUT-B 3/4"HVR2 O OD19.05
C	K9970086038	\$48.34	Low	Good	EXPANSION VALVE ARUH36~60 VII EFM-60YGKG-3

Diagrams for Model ARUH36TLAV

Model Information: [ARUH36TLAV](#) VRF Inner Unit - H/R - 36,000 BTU - High Static Duct
A complete list of parts used in this diagram is listed below.



Listed below are parts available for ARUH36TLAV. To purchase a part enter the desired quantity on the parts line. Once you have selected parts to purchase, click the Submit button located at the bottom of the list.

Item #	Part #	Price	In-Stock Rating		Description
			East Coast	West Coast	
10	K9603177010	\$124.55	Low	Good	MOTOR INDUCT ARUH36 VAB MFA-36APFS 8555MVA 500W
11	K9372039007	\$1.06	Not in Stock	Low	BRACKET MOTOR B ARUH36~60 VII SGCC Z-C-X Z22 T1.2
12	K9372037003	\$3.93	Not in Stock	Low	BRACKET MOTOR ARUH36~60 VII ART60RUAK
13	K9372035009	\$17.68	Not in Stock	Low	PANEL FAN ASSY ARUH36~60 VII SGCC Z-C-X Z22 T1.2
14	K9372637029	\$23.45	Not in Stock	Low	PANEL FRONT ARUH36~60 VII DW SGCC Z-C-X Z22 T0.6
15	K9372055007	\$1.00	Not in Stock	Low	HOOK METAL A*U*** VAB SGCC Z-C-X Z22 T2.0








Diagrams for Model ARUH36TLAV

16	K9372034002	\$1.93	Not in Stock	Low	PANEL FRONT E ARUH36~60 VII SGCC Z-C-X Z22 T1.0
7	K9372057018	\$11.72	Not in Stock	Low	CASING A ARUH/AAUA** VAB HIPS
8	K9372058015	\$4.12	Low	Low	CASING B A*U*** VAB PP
9	K9372059029	\$10.82	Not in Stock	Low	SIROCCO FAN ARUH** VAB PPG 20%

SUBMIT

Diagrams for Model ARUH36TLAV

Model Information: [ARUH36TLAV](#) VRF Inner Unit - H/R - 36,000 BTU - High Static Duct
A complete list of parts used in this diagram is listed below.

Name and Shape	Qty	Application	Part#
Coupler heat insulation (Small) 	1	For indoor side pipe joint (Small)	A
Coupler heat insulation (Large) 	1	For indoor side pipe joint (Large)	B
Special nut A (Large flange) 	4	For suspending the indoor unit from ceiling	C
Special nut B (Small flange) 	4	For suspending the indoor unit from ceiling	D
Drain hose 	2	For installing drain pipe Φ 3/4 in. (19 mm) [I.D.], Φ 1-1/16 in. (27 mm) [O.D.]	E
Hose Band 	2	For installing drain hose	F
Drain hose insulation 	2	For installing drain hose	G

Listed below are parts available for ARUH36TLAV. To purchase a part enter the desired quantity on the parts line. Once you have selected parts to purchase, click the Submit button located at the bottom of the list.

Item #	Part #	Price	In-Stock Rating		Description
			East Coast	West Coast	
A	K9378173521	\$1.43	Fair	Low	INSULATION PIPE ABUA HVAB+ # FPE-HR ID26 10*200PVC S723
B	K9378173569	\$1.18	Low	Low	INSULATION PIPE C HVAB # FPE-HR ID34 10*200 PVC T559
C	K313005446653	\$1.35	Low	Good	NUT A W/WASHER HFI HVAB# M10
D	K313005446759	\$1.81	Fair	Good	NUT B W/LOCK WASHER HFI HVAB# M10

Diagrams for Model ARUH36TLAV

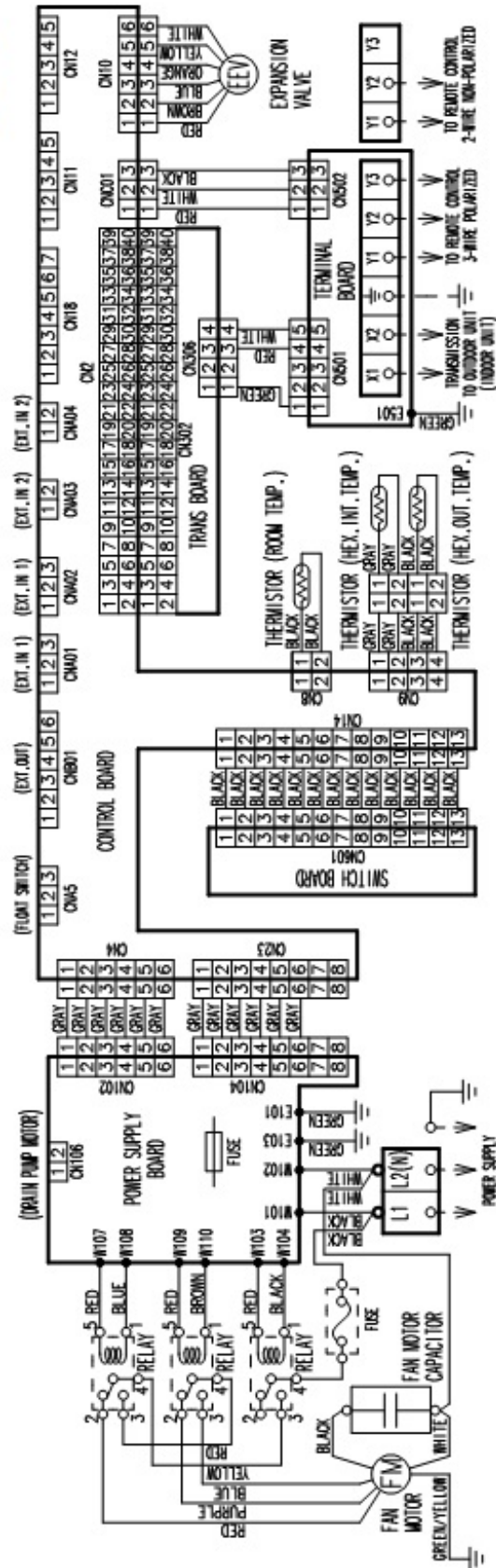
E	K9377785022	\$4.12	Not in Stock	Good	JOINT HOSE 3/4 ARU** HFI HVII# ID25-OD26.6 L215
F	K9378437012	\$2.65	Low	Not in Stock	BAND FOR JOINT HOSE ARU* HVII# SA28 GEMI,D20-32,DIN 3017
G	K9382305093	\$1.00	Not in Stock	Not in Stock	OPC CP-3 VAB Drain hose insulation GRAY

SUBMIT

Diagrams for Model ARUH36TLAV

Model Information: [ARUH36TLAV](#) VRF Inner Unit - H/R - 36,000 BTU - High Static Duct
 A complete list of parts used in this diagram is listed below.

**ARUH36TLAV
 ARUH48TLAV
 ARUH60TLAV**



Diagrams for Model ARUH36TLAV

Listed below are parts available for ARUH36TLAV. To purchase a part enter the desired quantity on the parts line. Once you have selected parts to purchase, click the Submit button located at the bottom of the list.

Item #	Part #	Price	In-Stock Rating		Description
			East Coast	West Coast	
CN14	K9707853025	\$3.36	Fair	Not in Stock	WIRE ASSY VR2 CN601 TO CN14
CN23	K9709201015	\$1.50	Not in Stock	Fair	WIRE ASSY VR2 CN104 TO CN23
CN306	K9709197059	\$1.00	Not in Stock	Fair	WIRE ASSY VR2 CN306 TO CN501
CN4	K9709199015	\$1.46	Not in Stock	Fair	WIRE ASSY VR2 CN102 TO CN4
CN9	K9707854022	\$1.56	Good	Good	WIRE TH CONNECT VAB UL1430 #24 4P
CNC01	K9707859027	\$1.00	Not in Stock	Fair	WIRE ASSY VR2 CNC01 TO CN502

