

## High Static Pressure Duct (36,000 BTU) Indoor Unit For Heat-recovery/Heat-pump Airstage VRF System

Job Name \_\_\_\_\_  
 Location \_\_\_\_\_  
 Engineer \_\_\_\_\_  
 Submitted To \_\_\_\_\_  
 Submitted By \_\_\_\_\_  
 Reference \_\_\_\_\_

Date \_\_\_\_\_  
 Approval \_\_\_\_\_  
 Construction \_\_\_\_\_  
 Unit No \_\_\_\_\_  
 Drawing No \_\_\_\_\_

### FEATURES

- Quiet 3-speed fan
- Adjustable Static pressure from 0.4 to 0.8 in.WG
- Very low power usage
- Dual direction drain piping
- Auxiliary heat operation capability
- 10 year Extended Warranty on parts and compressor. See Warranty Statement.



### STATIC PRESSURE

Static Pressure Range - in.WG [Pa]	0.40 to 0.80 [100 to 200]
Standard Static Pressure - in.WG [Pa]	0.40 [100]

### CAPACITY

Capacity - Cooling - Btu/h [kW]	36,000 [10.6]
Capacity - Heating - Btu/h [kW]	40,000 [11.7]

### PIPING ACCESSORIES

UTP-AX090A	Separation Tube - 2-Pipe - 90 MBH or Less
UTP-AX180A	Separation Tube - 2-Pipe - 91 to 180 MBH
UTP-AX567A	Separation Tube - 2-Pipe - 180 MBH or More

### ELECTRICAL

Power Source	208 / 230V, 1-Phase, 60Hz
Available Voltage Range - VAC	187 to 253
Input Power - W	496
Full Load Amps - FLA - A	2.16
Max Circuit Breaker - A	15
Minimum Circuit Ampacity - MCA - A	2.7
Fuse - A (V)	3.15 (250) + Fan 10 (250)

### CONTROLLER

UTY-RNRU22	Individual Touch Panel Controller (Wired Remote)
UTY-RSRY	Simple Remote (WITH Master Control) 2-Wire
UTY-RHRY	Simple Remote (WITHOUT Master Control) 2-Wire
UTY-RHKU	Simple Remote (WITHOUT Master Control) (1/16 units)
UTY-LNHU	Wireless Remote Controller (requires IR Receiver)

### FAN

Fan Type	2X (Sirocco)
Airflow Rate - High - CFM [m <sup>3</sup> /h]	1,324 [2,250]
Airflow Rate - Medium - CFM [m <sup>3</sup> /h]	1,030 [1,750]
Airflow Rate - Low - CFM [m <sup>3</sup> /h]	824 [1,400]

UTY-DCGY	Central Remote Controller (100 units)
UTY-DTGYZ1	Touch Panel Controller with Internet (400 units)

### SOUND PRESSURE

Sound Pressure Level - dB(A)	32/37/43
------------------------------	----------

### ACCESSORIES

#N/A	#N/A
UTD-LF60KA	Long Life Filter
UTY-TEKX	External Switch Controller. Use with 3-Wire remotes only.
UTY-XSZX	Remote Sensor for ducted units

### WIRING

Communication Cable	LonWorks (Fujitsu Pink Cable. See AE Bulletin 009)
---------------------	--

### WEIGHT AND DIMENSIONS

Enclosure - Net Weight - lbs [kg]	97 [44]
Enclosure - Gross Weight - lbs [kg]	108 [49]
Dimensions - Net (H x W x D) - in [mm]	15-3/4 x 41-5/16 x 19-11/16 [400 x 1,050 x 500]
Dimensions - Gross (H x W x D) - in [mm]	18-1/8 x 48-7/16 x 25-3/16 [460 x 1,230 x 640]

### PIPING

Connection Pipe Diameter - Liquid (Flare) - in [mm]	ø 3/8 [9.52]
Connection Pipe Diameter - Gas (Flare) - in [mm]	ø 3/4 [19.05]
Connection Pipe Diameter - Drain (ID; OD) - in [mm]	ø 3/4 [19]
Drain-Pump	Optional

### ETL

E.T.L.	91987
--------	-------

### TEMPERATURE SETTINGS

Operating Temp. Cooling (DB) - °F [°C]	64 to 90 [18 to 32]
Operating Temp. Heating (DB) - °F [°C]	50 to 86 [10 to 30]

Note: Specifications are based on the following conditions:  
 Cooling: Indoor temperature of 80°F (26.7°C) DB/67°F (19.4°C) WB, and outdoor temperature of 95°F (35°C) DB/75°F (23.9°C) WB. Heating: Indoor temperature of 70°F (21.1°C) DB/60°F (15.6°C) WB, and outdoor temperature of 47°F (8.3°C) DB/43°F (6.1°C) WB. Pipe length: 25ft. (7.5m), Height difference: 0ft. (0m) (Outdoor unit - indoor unit).



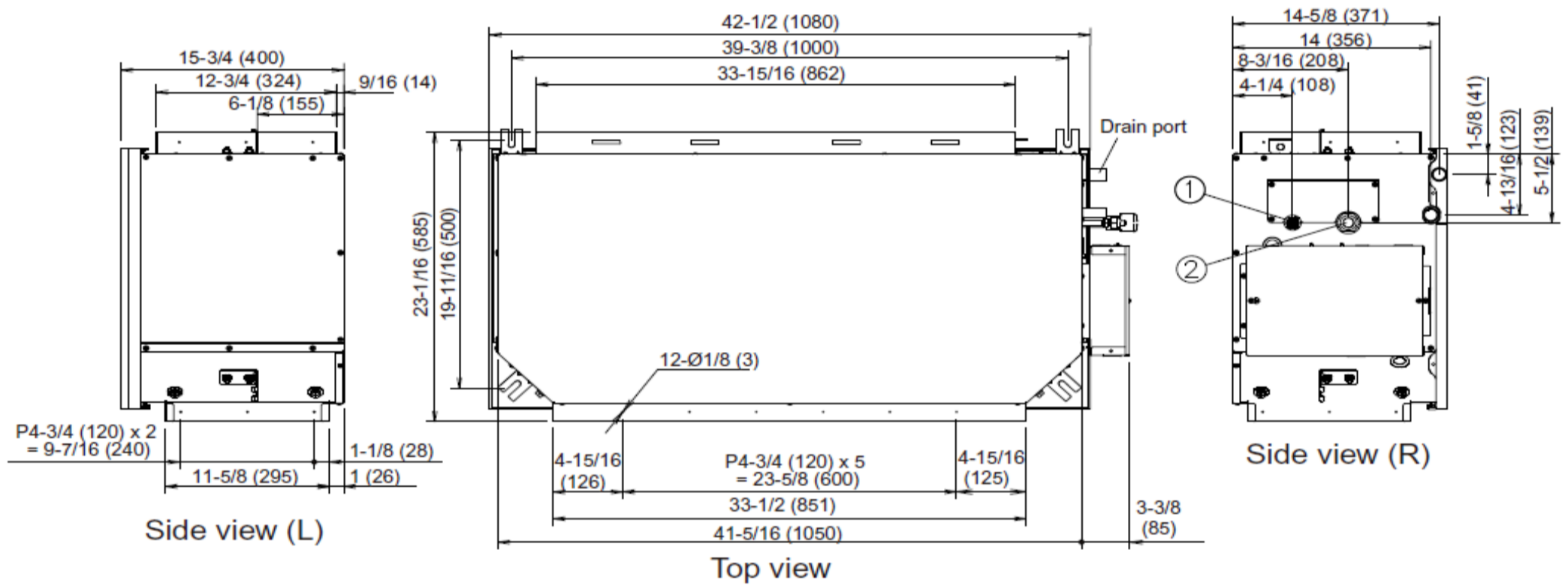
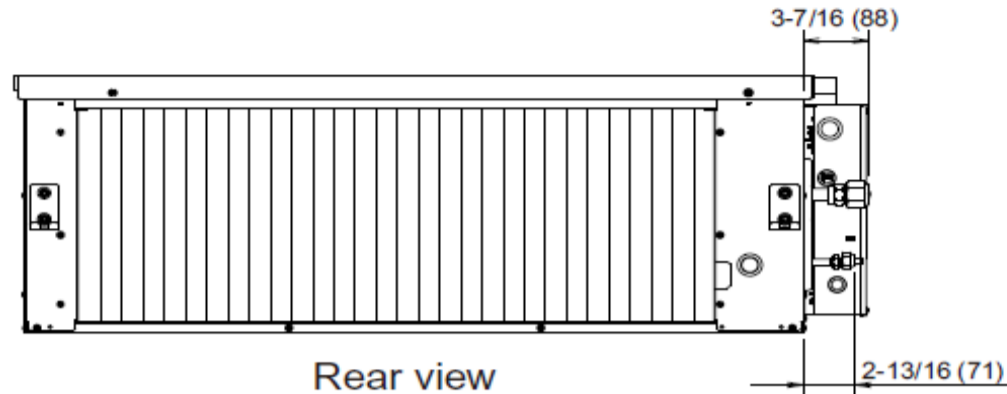
Fujitsu General America, Inc.  
 353 Route 46 West  
 Fairfield, NJ 07004  
 Toll Free: (888) 888-3424  
 Fax: (973) 836-0453  
 www.airstagevrf.com

SUBMITTAL ARUH36TLAV

High Static Pressure Duct (36,000 BTU) Indoor Unit  
For Heat-recovery/Heat-pump Airstage VRF System

DIMENSIONS

Unit: In. (mm)



Side view (R)

Side view (L)

Top view

