

MULTI POSITION AIR HANDLING UNIT

From Small to Tall and everything in between

The new ARUX is the perfect option to replace standard unitary split systems in residential, multi-family and light commercial applications. While taking advantage of all of the advantages of VRF: efficiency, low noise and comfort.



ARUX12TLAV2
ARUX18TLAV2
ARUX24TLAV2

ARUX30TLAV2
ARUX36TLAV2

ARUX48TLAV2
ARUX60TLAV2

Static Pressure Range
0.1 to 0.8 in.W.G
(25 to 200Pa)

FLEXIBLE INSTALLATION AND WIDE STATIC PRESSURE RANGE

- Flexible and compact design to suit most light commercial and residential applications.
- At 43" tall and only 17-1/2" wide for up to 2 ton model, the unit can be installed in tight closet spaces.



UPFLOW

Installed in basement or in a narrow closet, distributing conditioned air to the rooms.



HORIZONTAL LEFT / RIGHT AIRFLOW

Installed horizontally in the attic, with overhead distribution of conditioned air to the rooms.

OPTIONS

Compatible with a variety of controller options, such as individual controller, central controller and building management controller.

Wireless Remote Controller / IR Receiver	UTY-LNHU / UTY-TRHX
Wired Remote Controller	UTY-RNRUZ5
Simple Remote Controller	UTY-RHRY
External Switch Controller	UTY-TERX
Central Remote Controller	UTY-DCGYZ2
Touch Panel Controller	UTY-DTGYZ1
Wireless LAN Adapter	UTY-TFSXZ2
System Controller	UTY-APGXZ1
System Controller Lite	UTY-ALGXZ1
Service Tool	UTY-ASGXZ1
Web Monitoring Tool	UTY-AMGXZ1
Remote Sensor Unit	UTY-XSZX
MODBUS Converter	UTY-VMSX / UTY-VMGX
BACnet® Gateway	UTY-VBGX (Hardware)
	UTY-ABGXZ1 (Software)
External Power Supply Unit	UTZ-GXXA
Thermostat Converter	UTY-TTRX
Network Converter	UTY-VTGX (DC power supply)
	UTY-VGGXZ1 (AC power supply)
Highrise 360 Kit	UTY-SPWX
Network Converter for LONWORKS®	UTY-VLGX
Signal Amplifier	UTY-VSGXZ1
External Connect Kit	UTY-XWZXZB / UTY-XWZXZD
	UTY-XWZXZ7 / UTY-XWZXZE
	UTY-XWZXZC / UTY-XWZXZK

OPTIMUM TEMPERATURE CONTROL USING BACKUP HEATER (OPTIONAL)

Control operation of auxiliary heaters depending on the difference between room temperature and set temperature to maintain optimum comfort.

SPECIFICATIONS

Model name		ARUX12TLAV2	ARUX18TLAV2	ARUX24TLAV2	ARUX30TLAV2	ARUX36TLAV2	ARUX48TLAV2	ARUX60TLAV2	
Power supply		1 phase ~ 208/230 V 60 Hz							
Available voltage range		187-253 V							
Capacity	Cooling	Btu/h	12,000	18,000	24,000	30,000	36,000	48,000	60,000
		kW	3.5	5.3	7.0	8.8	10.6	14.1	17.6
	Heating	Btu/h	13,500	20,000	27,000	34,000	40,000	54,000	67,000
		kW	4.0	5.9	7.9	10.0	11.7	15.8	19.6
Input power		W	77	99	148	180	241	322	521
Static pressure range		inWG (Pa)	0.10 to 0.80 (25 to 200)						
Standard static pressure		inWG (Pa)	0.50 (125)						
Fan	Airflow rate	HIGH	350 (595)	500 (850)	650 (1,104)	880 (1,495)	1,050 (1,784)	1,400 (2,379)	1,700 (2,888)
		MED	320 (544)	450 (765)	590 (1,002)	800 (1,359)	950 (1,614)	1,260 (2,141)	1,550 (2,633)
		LOW	290 (493)	400 (680)	510 (866)	730 (1,240)	850 (1,444)	1,130 (1,920)	1,340 (2,277)
	Type × Qty	Sirocco × 1							
Motor output		W	249			373		560	
Sound pressure level*	dB (A)	HIGH	37	38	40	42	44	46	48
		MED	35	36	37	40	42	44	46
		LOW	33	34	34	38	40	42	42
Heat exchanger type	Length	in (mm)	16 (406)	16 (406)	16 (406)	16 (406)	16 (406)	17-1/2 (446)	17-1/2 (446)
	Fin pitch	FPI	16	16	16	14	14	14	14
	Rows × Stages		4 × 14	2 × 18	2 × 18	3 × 22	3 × 22	3 × 30	4 × 30
	Face area	ft2 (m2)	2.6 (0.24)	3.3(0.31)	3.3(0.31)	4.0 (0.38)	4.0 (0.38)	6.0 (0.56)	6.0 (0.56)
	Pipe type (Material)	Grooved H-pin (Copper)							
Enclosure		Material	Painted galvanized steel sheet						
		Color	Gray						
Dimensions (H × W × D)	Net	in (mm)	43 × 17-1/2 × 21 (1,092 × 444 × 533)			48 × 21 × 21 (1,219 × 533 × 533)		58-3/4 × 24-1/2 × 21-3/4 (1,492 × 622 × 552)	
	Gross		45 × 19-3/4 × 26-3/4 (1,143 × 502 × 679)			52 × 23 × 26-3/4 (1,321 × 584 × 679)		63 × 27 × 27-1/2 (1600 × 686 × 699)	
Weight	Net	lb (kg)	100 (45.4)	102 (46.3)	102 (46.3)	126 (57.2)	126 (57.2)	172 (78.0)	181 (82.1)
	Gross		111 (50.3)	113 (51.3)	113 (51.3)	139 (63.0)	139 (63.0)	187 (84.8)	196 (88.9)
Connection pipe diameter	Liquid	in (mm)	Ø 1/4 (6.35)	Ø 1/4 (6.35)	Ø 1/4 (6.35)	Ø 3/8 (9.52)	Ø 3/8 (9.52)	Ø 3/8 (9.52)	Ø 3/8 (9.52)
	Gas		Ø 1/2 (12.70)	Ø 1/2 (12.70)	Ø 1/2 (12.70)	Ø 5/8 (15.88)	Ø 5/8 (15.88)	Ø 5/8 (15.88)	Ø 5/8 (15.88)
Drain hose		in (mm)	Brazing I.D.: Ø 3/4 (19.05)						

NOTES:

Specifications are based on the following conditions:

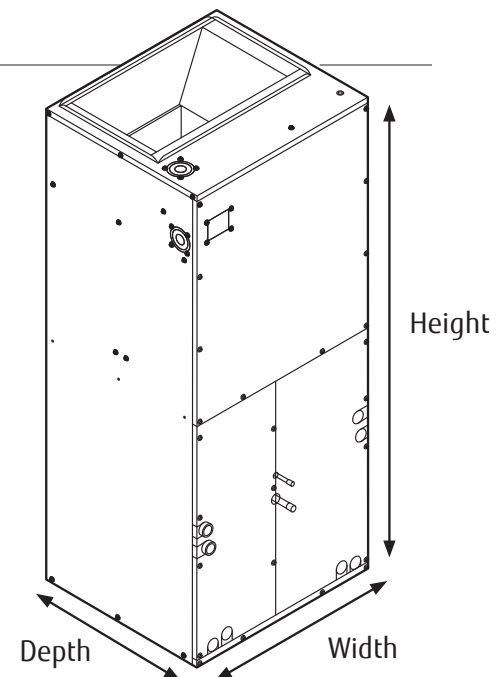
- Cooling: Indoor temperature of 80 °FDB/67 °FWB (26.7 °CDB/19.4 °CWB), and outdoor temperature of 95 °FDB/75 °FWB (35 °CDB/23.9 °CWB).
- Heating: Indoor temperature of 70 °FDB/60 °FWB (21.1 °CDB/15.6 °CWB), and outdoor temperature of 47 °FDB/43 °FWB (8.3 °CDB/6.1 °CWB).
- Pipe length: 25 ft (7.5 m), Height difference: 0 ft (0 m). (Between outdoor unit and indoor unit.)

*: Sound pressure level:

- Measured values in manufacturer's anechoic chamber.
- Because of the surrounding sound environment, the sound levels measured in actual installation conditions might be higher than the specified values here.

DIMENSIONS

	ARUX12-18-24TLAV2	ARUX30-36TLAV2	ARUX48-60TLAV2
Height	43 in. (1,092 mm)	48 in. (1,219 mm)	58.75 in. (1,492 mm)
Width	17.5 in. (444 mm)	21 in. (533 mm)	24.5 in. (622 mm)
Depth	21 in. (533 mm)	21 in. (533 mm)	21.75 in. (533 mm)



Actual product color may be different from the colors shown here. Specifications and design are subject to change without notice.

"AIRSTAGE" is a worldwide trademark of FUJITSU GENERAL LIMITED and is a registered trademark in Japan and other countries or areas.