

**AIR CONDITIONER**

**OPTIONAL PARTS**

**Wind Baffles UTZ-DUWBRA**

**INSTALLATION MANUAL**

**1.Safety Precautions**

The "SAFETY PRECAUTIONS" indicated in this operating manual contain important information pertaining to your safety. Be sure to observe them. For future use, such as relocating or repairing the unit, request the user to keep this manual together with the operating manual of the indoor unit.

<b>⚠WARNING</b>	This mark indicates procedures which, if improperly performed, could lead to serious injury or death.
<ul style="list-style-type: none"><li>• This unit contains no user-serviceable parts. Always consult authorized service personnel for repairs.</li><li>• When moving, consult authorized service personnel for removal and installation of this unit.</li><li>• Do not remove existing standard grill for your safety. Wind baffle is designed for installation over the existing grill. Removal of existing grill will expose rotating parts of the fan and can cause injury.</li></ul>	<ul style="list-style-type: none"><li>• Do not lean or place any body weight onto the wind baffle, as an accident could occur.</li><li>• Do not touch sharp edges. Sharp edges may cause personal injury.</li><li>• Disconnect all power to the unit before performing maintenance or service. Electrical shock and personal injury could result.</li><li>• Do not modify the wind baffle. Any modification may result in personal injury or equipment failure.</li></ul>

<b>⚠CAUTION</b>	This mark indicates procedures which, if improperly performed, might possibly result in personal harm to the user or damage to property.
<ul style="list-style-type: none"><li>• Follow the Operating Manuals of the indoor units for Usage precautions of air conditioners other than wind baffles.</li><li>• To avoid damage to refrigerant coils and electronic components, use extreme care when drilling screw holes and attaching wind baffles.</li><li>• Avoid any short circuits during the installation.</li></ul>	<ul style="list-style-type: none"><li>• Do not insert any objects into the wind baffle. Disruption of airflow, equipment damage or personal Injury may occur.</li><li>• Please use fasteners provided for installation, Using other fasteners may damage the equipment.</li><li>• Prevent any unit wiring from becoming pinched or cut when installing the wind baffle.</li></ul>

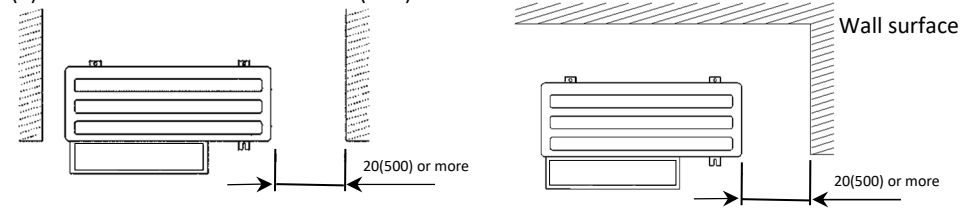
**2.Checking Parts**

Wind baffle : 2 (Q'ty) 	Self-tapping Screw #10 x 1/2 : 12 (Q'ty) 	Installation manual : 2 (Q'ty) 
---	---	---

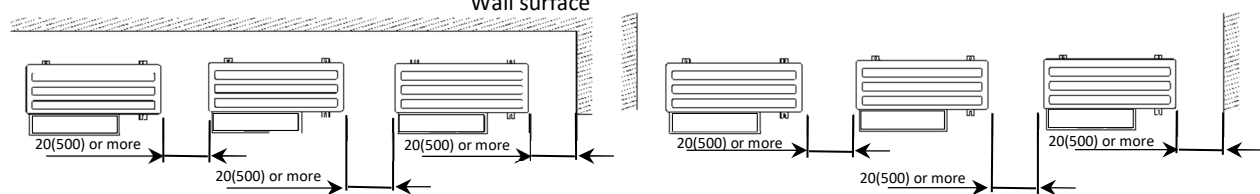
### 3. Installation Dimensions

When the wind baffles are used install units as shown in the illustrations below. Ensure minimum clearances are met to a wall or other obstruction. When installing multiple units, ensure unit minimum clearances are met or exceeded. Failure to provide minimum clearances will affect unit performance. Nuisance unit cycling or premature equipment failure may result. For other installation clearances, referring to the unit installation manual.

(1) One unit Installation Unit : in (mm)



(2) Multiple unit Installation Unit : in (mm)



### 4. Installation Instructions

- (1) Using the 12 holes of wind baffle flanges and 8 holes of unit as shown in Figure 1. 4 holes of unit is made the holes by self-tapping screws. Make sure that the wind baffle does not cover the service panel. Note that the lower fan rotates the wind baffle 180 degrees with respect to the upper fan.
  - (2) Using the self-tapping screw provided, locate and secure the wind baffle as shown in Figure 2.
  - (3) Using the self-tapping screw provided, secure the wind baffle as shown in Figure 3. Note that carefully drill the holes by self-tapping screw so that no damage is caused to internal parts of the unit as shown in Figure 3.
  - (4) Install the wind baffle on the lower fan in the same way as the upper fan as shown in Figure 4 and 5.
- IMPORTANT-** Use caution when installing ALL screws, as they must not be overtightened!

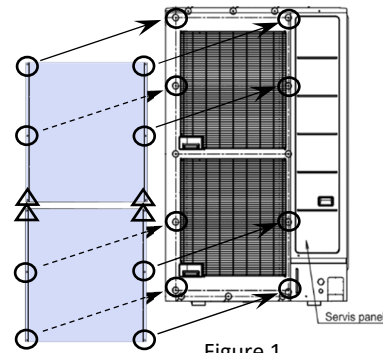


Figure 1

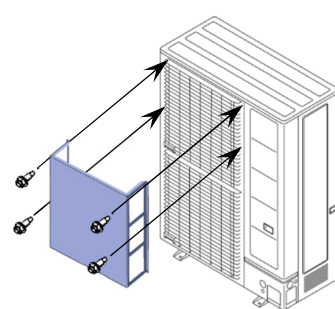


Figure 2

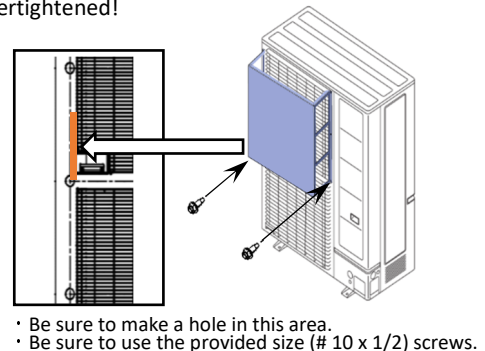


Figure 3

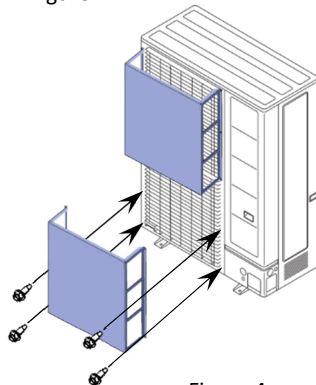


Figure 4

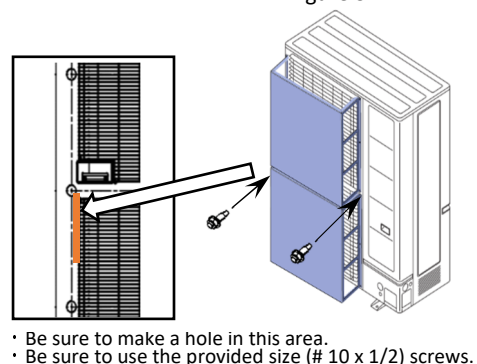


Figure 5