

4SHP18LX

PRODUCT SPECIFICATIONS

HIGH-EFFICIENCY
SPLIT HEAT PUMP SYSTEM
UP TO 20 SEER (19 SEER2)
& 10 HSPF (8.5 HSPF2)

FORM NO. 4SHP18LX-100 (09/2022)



COMFORT SYNC
COMMUNICATING THERMOSTAT ENABLED

COMPRESSOR

- Inverter-driven compressor for true variable capacity operation, precision environmental control, and exceptional energy savings
- R410A refrigerant
- Grommet-mounted compressor for quiet operation
- Heavy-duty compressor sound blanket for quiet operation
- Internally protected against high temperature motor overload conditions

CABINET

- Full metal louvered construction to protect the coil
- Individual metal louvered panels remove easily for coil cleaning and service
- Specialized corner-mounted controls for easy service
- Baked polyester paint finished over galvanized steel for maximum durability
- Removable PVC coated wire fan discharge grill
- External gauge ports for easy service
- Removable service panel for internal access
- Compliant with Florida Building Code 2020

COILS

- Omniguard® coil corrosion protection with all-aluminum tube-and-fin coil design
- Lanced fins for maximum heat transfer
- Factory tested for leakproof construction
- Raised coil prevents debris from impeding airflow and helps prevent ice build-up

DESIGN

- Designed for installation as a fully communicating system or with a standard 24V thermostat and non-communicating equipment
- Offers five total operating modes, three in cooling and two for heating, to fine-tune the unit's performance to the application and consumer's needs in 24V applications
- Clean-sweep defrost provides a more thorough defrost, reducing the number of cycles during heating operation
- Designed to perform in temperatures from -15°F to 125°F

COMPONENTS

- 45-degree offset gauge ports are positioned for quick installation and easy service
- Variable speed condenser fan motor
- Swept wing fan blade for quiet operation
- Factory-installed crankcase heater
- Factory-installed TXV for excellent refrigeration control
- Factory-installed high and low pressure switches
- Thread-on pressure switches for simple, quick service
- Fan orifice for smoother airflow and sound level reduction
- Comfort Sync® enabled for communicating systems
- Shipped factory charged for 15 feet of line set
- Discharge muffler for quiet operation
- Demand defrost for increased energy efficiency
- Quiet Shift™ capable to reduce noise during defrost

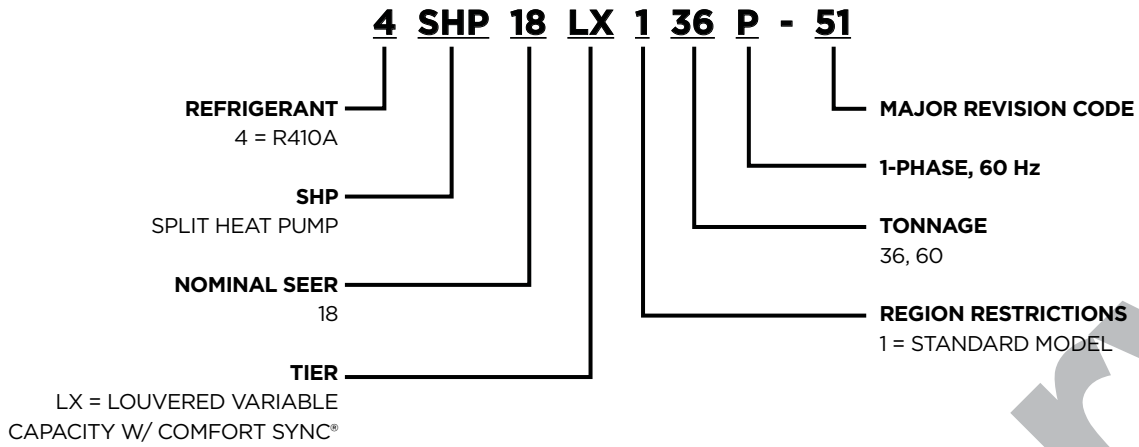
WARRANTY

- 5-year limited warranty
- 10-year limited extended warranty available on all parts and compressor

**Warranty provides for a total of 10 years of limited warranty coverage (Standard 5-year limited parts warranty plus an additional 5-year limited extended parts warranty). Warranty must be registered online within 60 days of installation to qualify for 10-year coverage. Unregistered equipment defaults to 5-year coverage. Lifetime limited heat exchanger warranty applies to registered equipment only (Standard 20 years with no online registration). See full warranty at www.alliedair.com for terms, conditions and exclusions.*



MODEL NUMBER GUIDE



ELECTRICAL AND PHYSICAL DATA

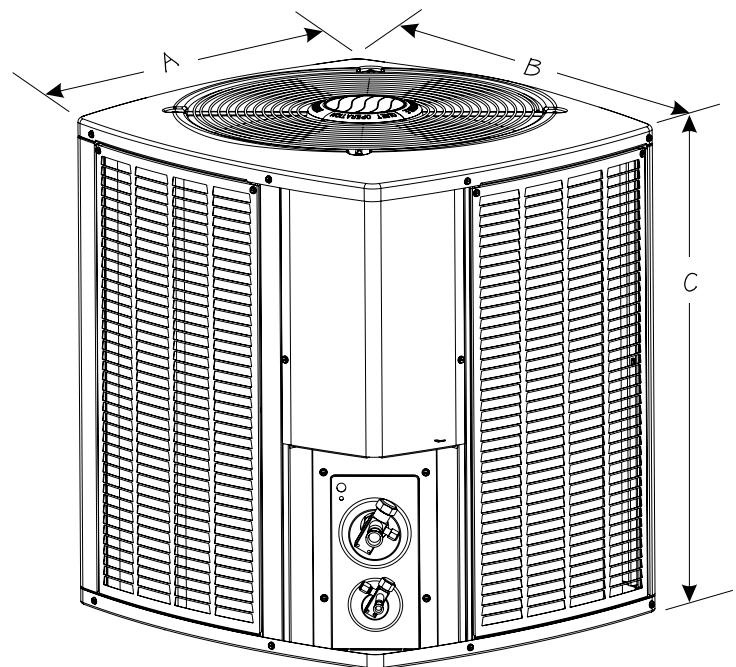
| Model | Voltage/Hz/Phase | Voltage Range | Min. Circuit Amp. | Max. Over Current Device (amps) | Compressor | Outdoor Fan Motor | | |
|-----------------|------------------|---------------|-------------------|---------------------------------|--|-------------------|----------|----------|
| | | | | | Input (amps) | Full Load (amps) | Rated HP | Nom. RPM |
| 4SHP18LX136P-51 | 208-230/60/1 | 197-253 | 20.9 | 35 | Data to be released with final technical specifications. | | | |
| 4SHP18LX160P-51 | 208-230/60/1 | 197-253 | 34.7 | 50 | | | | |

Note:
Weights listed are unit weights with packaging
+ Factory charged for 15 feet of line set; adjust per installation instructions

DIMENSIONS (IN.)

| Model No. | Dimensions (inch) | | | Shipping Weight (lbs.) |
|-----------------|-------------------|-----------|------------|--|
| | A - Width | B - Depth | C - Height | |
| 4SHP18LX136P-51 | 29.38 | 31.25 | 33.75 | Data to be released with final technical specifications. |
| 4SHP18LX160P-51 | 29.38 | 31.25 | 43.75 | |

Note:
Dimensions listed are unit sizes w/o packaging



SOUND RATINGS

| Model | Sound Power ¹ (Low) | Estimated Sound Pressure (dBA) ² | | | Sound Power ¹ (High) | Estimated Sound Pressure (dBA) ² | | |
|------------------------------|-----------------------------------|--|--------------------------|----------------------------|------------------------------------|---|--------------------------|----------------------------|
| | | Approximate Distance ³ | | | | Approximate Distance ³ | | |
| | | One Meter (3.3 feet) | Two Meters (6.6 feet) | Three Meters (9.8 feet) | | One Meter (3.3 feet) | Two Meters (6.6 feet) | Three Meters (9.8 feet) |
| 4SHP18LX136P-51 (2 TON MODE) | | Data to be released with final technical specifications. | | | | | | |
| 4SHP18LX136P-51 (3 TON MODE) | | | | | | | | |
| 4SHP18LX160P-51 (4 TON MODE) | | | | | | | | |
| 4SHP18LX160P-51 (5 TON MODE) | | | | | | | | |

¹ Rated in accordance with AHRI standard 270 (2015)
² Rated in accordance with AHRI standard 275 (2010)
³ Based only on distance factor; other factors may change this value such as:
 Unit location (reflective surfaces adjacent to the unit)
 Barrier shielding sources
 Sound path/elevation
 Outside noise sources

REFRIGERATION DATA

| Model | Factory Refrig. Charge (oz.) * | TXV | Refrigerant Line Size | | Outdoor Unit Connection | | Indoor Unit Connection | |
|------------------------------|--|-----|-----------------------|--------|-------------------------|--------|------------------------|--------|
| | | | Suction | Liquid | Suction | Liquid | Suction | Liquid |
| 4SHP18LX136P-51 (2 TON MODE) | Data to be released with final technical specifications. | | 3/4 | 3/8 | 3/4 | 3/8 | 3/4 | 3/8 |
| 4SHP18LX136P-51 (3 TON MODE) | | | 3/4 | 3/8 | 3/4 | 3/8 | 3/4 | 3/8 |
| 4SHP18LX160P-51 (4 TON MODE) | | | 7/8 | 3/8 | 7/8 | 3/8 | 7/8 | 3/8 |
| 4SHP18LX160P-51 (5 TON MODE) | | | 1-1/8 | 3/8 | 7/8 | 3/8 | 7/8 | 3/8 |

* Factory charged for 15 feet of line set; adjust per installation instructions
 Refrigerant charge also varies with indoor unit; refer to refrigerant charge label

COOLING PERFORMANCE WITH DTC¹

| Outdoor Model | Indoor Model | Cooling | | | | Heating | | | | High CFM | Med CFM | Low CFM | |
|-----------------|--------------|--|------------------|----------------------------------|-------------------|-------------------|------|-----|------|----------|---------|---------|-----|
| | | SEER ² | EER ² | AHRI Rated Capacity ² | Sensible Capacity | HSPF ² | 47° | | 17° | | | | |
| | | | | | | | Btuh | COP | Btuh | | | | COP |
| 4SHP18LX136P-51 | | Data to be released with final technical specifications. | | | | | | | | | | | |
| 4SHP18LX160P-51 | | | | | | | | | | | | | |

Note:
¹ DTC = Designated tested combination
² Certified in accordance with Unitary Air Conditioner Certification Program, which is based on AHRI Standard 210/240
³ A blower time delay relay is standard on all Allied Air Enterprises furnace and air handler products

NOTE:

For the latest AHRI system matches, please visit www.alliedratings.com or www.AHRIdirectory.org

ACCESSORIES

| Description | Where Used | Kit Number |
|----------------------------------|--|-------------------|
| H4TXV01 (TXV Kit) | 4SHP18LX36 (2 Ton mode) | 1.851363 |
| H4TXV02 (TXV Kit) | 4SHP18LX36 (3 Ton mode) 4SHP18LX60 (4 Ton mode) | 1.851364 |
| H4TXV03 (TXV Kit) | 4SHP18LX60 (5 Ton mode) | 1.851365 |
| Crankcase Heater | All models | Factory installed |
| Sound Blanket | All models | Factory installed |
| Loss of Charge Kit | All models | Factory Installed |
| Freezestat | 3/8 tubing | 93G35 |
| Comfort Sync® Thermostat | All models | 1.841226 |
| Comfort Sync® Zoning Controller | All models | 1.851399 |
| Comfort Sync® Zone Sensor | All models | 1.851422 |
| Discharge Air Temperature Sensor | All models | 88K38 |



1-800-448-5872

All specifications and illustrations subject to change without notice and without incurring obligations.