

MAAX SUBMITTAL SPECIFICATIONS

Ariosa 6032

MODEL NUMBER 106266

DIMENSIONS: 60" x 32" x 28" Acrylic



Vivez l'expérience
MAAX[®]
Enjoy the experience

STANDARD FEATURES

- 2-piece bathtub with transitional asymmetrical look and concealed seam
- Recessed deck with ample space for faucet installation
- Maximized bathing well with end drain
- Above-the-Floor Rough (AFR) and F² Drain compatible
- MAAX innovative leveling legs
- Apron available in white and 5 designer colors
- No systems available

OPTIONS

- Cable-operated waste and overflow
- Waste and overflow
- Waste and overflow
- Brass waste and overflow for high-rise construction
- Brass waste and overflow for high-rise construction
- Linear waste and overflow

UNIQUE FEATURES

- Above-the-Floor Rough (AFR)
- 1 Tub - 2 Pieces
- Compatible with F2 Drain

SYSTEMS

- None

CERTIFICATIONS

Maax products adhere to one or more of the following certifications:



Project :
Contractor :
MAAX Representative : Tel :
Date :

www.maax.com

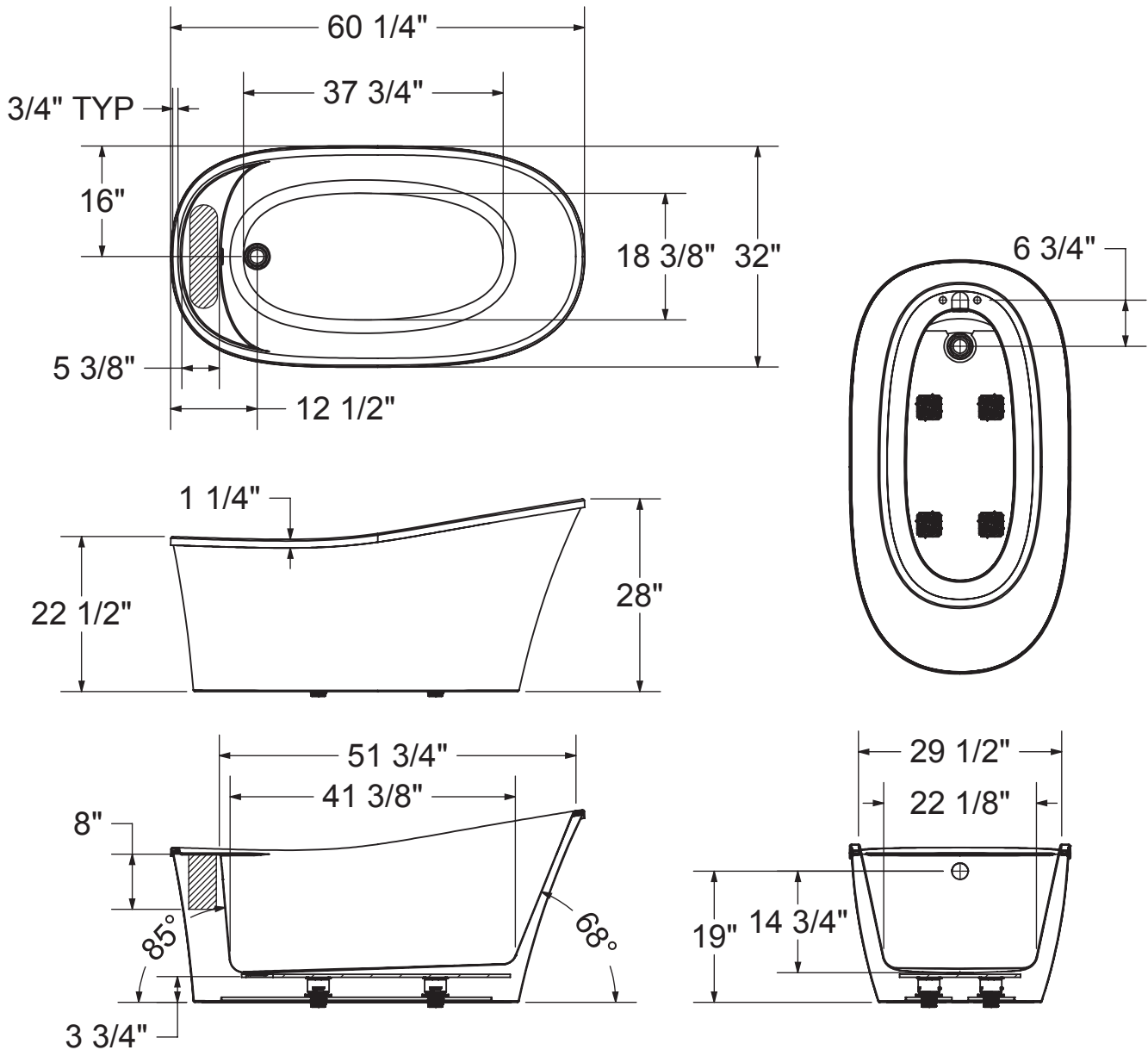
2017-11-09

MAAX SUBMITTAL SPECIFICATIONS

Ariosa 6032

MODEL NUMBER 106266

TECHNICAL DRAWINGS



(Hatched Area) : Recommended facet area of 15" (L) x 4" (W).
 Depth recommended for straight pipes 8".

All dimensions are approximate. Structure measurements must be verified against the unit to ensure proper fit.