



# LED AREA LIGHT

► **DESIGN & OPTIONS** - LED AREA LIGHT has durable die-cast aluminum housing and are 3G vibration rated to ensure strength of construction and longevity. The housing is sealed against moisture and environmental contaminants and is designed to maximize heat dissipation and protect the light chips. The type III-M lens is designed to maximize efficiency and spacing. It comes with a 1-10V dimmable driver at 120-277V, a 3,000K, 4,000K or 5,000K color temperature, and WHITE, SILVER, BRONZE or BLACK finish.



**Model with CCT adjustable** option can be set to either 3,000K, 4,000K, or 5,000K with a simple switch.



**Models with High Voltage driver (277-480V)** are available.



The PC automatically turns on/off depending on the time of day.

► **INSTALLATION** - This fixture can be pole, post, or wall mounted using the following brackets: slip fitter bracket, arm bracket, floodlight bracket, or full trunnion bracket. All brackets are sold separately. Refer to install instructions for more information.

► **APPLICATION** - LED AREA LIGHT is ideal for commercial and industrial outdoor lighting. Common uses for this fixture include: roadway lighting, highway lighting, sport lighting, parks, parking lots, buildings, backyards, walkways, and many other applications. This fixture is IP66 rated and is resistant to water and dust. They can operate in temperatures between -40 to 140°F (-40 to 60°C), allowing them to be utilized in a wide variety of applications and climates.

► **ENERGY SAVING & EFFICIENCY** - With a calculated lifespan up to 146,000 hours, these fixtures are made to last decades under normal operation! This fixture can cut your electric bill by up to 80% instantly and will save you a significant amount of money in its lifetime.

► **CERTIFICATION & WARRANTY** - Buy with confidence: ASD provides a 5-year limited warranty along with UL certification to guarantee top quality products and safety!

DLC Premium classification allows participation in rebates; please check the rebate programs available in your state.

Catalog number	
Notes	
Type	



Finish:	White	Bronze
	Steel	Black

Model	Watts	Voltage	Dimmable	Lumens	CCT	Finish	Dimensions (LxWxH)	Cord	Bracket
ASD-LSB2-60D50W-PRM	60W	120-277 V	1-10 V	8,520 lm	5,000 K	White	16-15/16" x 11-15/16" x 4-1/16"	4 ft	-
ASD-LSB2-60D50B-PRM	60W	120-277 V	1-10 V	8,520 lm	5,000 K	Bronze	16-15/16" x 11-15/16" x 4-1/16"	4 ft	-
ASD-LSB2-100D40B-PRM	100W	120-277 V	1-10 V	13,200 lm	4,000 K	Bronze	16-15/16" x 11-15/16" x 4-1/16"	4 ft	-
ASD-LSB2-100D50B-PRM	100W	120-277 V	1-10 V	13,400 lm	5,000 K	Bronze	16-15/16" x 11-15/16" x 4-1/16"	4 ft	-
ASD-LSB2-100D50B-SF	100W	120-277 V	1-10 V	13,400 lm	5,000 K	Bronze	25-1/4" x 11-15/16" x 4-1/16"	4 ft	Slip Fitter
ASD-LSB2-100D50B-AR	100W	120-277 V	1-10 V	13,400 lm	5,000 K	Bronze	23-1/8" x 11-15/16" x 5-7/16"	4 ft	Arm
ASD-LSB2-150D30B-PRM	150W	120-277 V	1-10 V	19,500 lm	3,000 K	Bronze	16-15/16" x 11-15/16" x 4-1/16"	4 ft	-
ASD-LSB2-150D40B-PRM	150W	120-277 V	1-10 V	19,650 lm	4,000 K	Bronze	16-15/16" x 11-15/16" x 4-1/16"	4 ft	-
ASD-LSB2-150D50W-PRM	150W	120-277 V	1-10 V	19,800 lm	5,000 K	White	16-15/16" x 11-15/16" x 4-1/16"	4 ft	-
ASD-LSB2-150D50-SL	150W	120-277 V	1-10 V	19,800 lm	5,000 K	Silver	16-15/16" x 11-15/16" x 4-1/16"	4 ft	-
ASD-LSB2-150D50B-PRM	150W	120-277 V	1-10 V	19,800 lm	5,000 K	Bronze	16-15/16" x 11-15/16" x 4-1/16"	4 ft	-
ASD-LSB2-150D50-BK	150W	120-277 V	1-10 V	19,800 lm	5,000 K	Black	16-15/16" x 11-15/16" x 4-1/16"	4 ft	-
ASD-LSB2-150D50B-SF	150W	120-277 V	1-10 V	19,800 lm	5,000 K	Bronze	25-1/4" x 11-15/16" x 4-1/16"	4 ft	Slip Fitter
ASD-LSB2-150D50B-AR	150W	120-277 V	1-10 V	19,800 lm	5,000 K	Bronze	23-1/8" x 11-15/16" x 5-7/16"	4 ft	Arm
ASD-LSB2-185D30B-PRM	185W	120-277 V	1-10 V	24,050 lm	3,000 K	Bronze	16-15/16" x 11-15/16" x 4-1/16"	4 ft	-
ASD-LSB2-185D50W-PRM	185W	120-277 V	1-10 V	24,420 lm	5,000 K	White	16-15/16" x 11-15/16" x 4-1/16"	4 ft	-
ASD-LSB2-185D50B-PRM	185W	120-277 V	1-10 V	24,420 lm	5,000 K	Bronze	16-15/16" x 11-15/16" x 4-1/16"	4 ft	-
ASD-LSB2-185D50B-SF	185W	120-277 V	1-10 V	24,420 lm	5,000 K	Bronze	25-1/4" x 11-15/16" x 4-1/16"	4 ft	Slip Fitter
ASD-LSB2-185D50B-AR	185W	120-277 V	1-10 V	24,420 lm	5,000 K	Bronze	23-1/8" x 11-15/16" x 5-7/16"	4 ft	Arm
ASD-LSB2-240D50B-PRM	240W	120-277 V	1-10 V	31,680 lm	5,000 K	Bronze	23-1/2" x 11-15/16" x 4-1/16"	4 ft	-
ASD-LSB2-240D50B-SF	240W	120-277 V	1-10 V	31,680 lm	5,000 K	Bronze	31-7/8" x 11-15/16" x 4-1/16"	4 ft	Slip Fitter
ASD-LSB2-240D50B-AR	240W	120-277 V	1-10 V	31,680 lm	5,000 K	Bronze	29-11/16" x 11-15/16" x 5-3/8"	4 ft	Arm
ASD-LSB2-300D40B-PRM	300W	120-277 V	1-10 V	39,600 lm	4,000 K	Bronze	23-1/2" x 11-15/16" x 4-1/16"	4 ft	-
ASD-LSB2-300D50W-PRM	300W	120-277 V	1-10 V	40,200 lm	5,000 K	White	23-1/2" x 11-15/16" x 4-1/16"	4 ft	-
ASD-LSB2-300D50-SL	300W	120-277 V	1-10 V	40,200 lm	5,000 K	Silver	23-1/2" x 11-15/16" x 4-1/16"	4 ft	-
ASD-LSB2-300D50B-PRM	300W	120-277 V	1-10 V	40,200 lm	5,000 K	Bronze	23-1/2" x 11-15/16" x 4-1/16"	4 ft	-
ASD-LSB2-300DAC-BR	300W	120-277 V	0-10 V	39,339/46,991/45,277 lm	3CCT (3,000/4,000/5,000 K)	Bronze	23-1/2" x 11-15/16" x 4-1/16"	4 ft	-
ASD-LSB2-300D50-BK	300W	120-277 V	1-10 V	40,200 lm	5,000 K	Black	23-1/2" x 11-15/16" x 4-1/16"	4 ft	-
ASD-LSB2-300D50B-SF	300W	120-277 V	1-10 V	40,200 lm	5,000 K	Bronze	31-7/8" x 11-15/16" x 4-1/16"	4 ft	Slip Fitter
ASD-LSB2-300D50B-AR	300W	120-277 V	1-10 V	40,200 lm	5,000 K	Bronze	29-11/16" x 11-15/16" x 5-3/8"	4 ft	Arm
ASD-LSB2-400D50B-PRM	400W	120-277 V	1-10 V	54,800 lm	5,000 K	Bronze	30-5/16" x 13-1/2" x 5-5/16"	4 ft	-
ASD-LSB2-500D50B-PRM	500W	120-277 V	1-10 V	66,000 lm	5,000 K	Bronze	30-3/16" x 13-3/8" x 4-13/16"	4 ft	-

For most up-to-date spec sheets please refer to [asd-lighting.com](http://asd-lighting.com)





# LED AREA LIGHT

Model	Watts	Voltage	Dimmable	Lumens	CCT	Finish	Dimensions (LxWxH)	Cord	Bracket
<b>LSB2 HIGH VOLTAGE</b>									
ASD-LSB2HV-100050B-PRM	100W	277-480 V	0-10 V	13,400 lm	5,000 K	Bronze	16-15/16" x 11-15/16" x 4-1/16"	4 ft	-
ASD-LSB2HV-150050W-PRM	150W	277-480 V	0-10 V	19,800 lm	5,000 K	White	16-15/16" x 11-15/16" x 4-1/16"	4 ft	-
ASD-LSB2HV-150050B-PRM	150W	277-480 V	0-10 V	19,800 lm	5,000 K	Bronze	16-15/16" x 11-15/16" x 4-1/16"	4 ft	-
ASD-LSB2HV-185050B-PRM	185W	277-480 V	0-10 V	24,420 lm	5,000 K	Bronze	16-15/16" x 11-15/16" x 4-1/16"	4 ft	-
ASD-LSB2HV-240050B-PRM	240W	277-480 V	0-10 V	31,680 lm	5,000 K	Bronze	23-1/2" x 11-15/16" x 4-1/16"	4 ft	-
ASD-LSB2HV-300050W-PRM	300W	277-480 V	0-10 V	40,200 lm	5,000 K	White	23-1/2" x 11-15/16" x 4-1/16"	4 ft	-
ASD-LSB2HV-300050B-PRM	300W	277-480 V	0-10 V	40,200 lm	5,000 K	Bronze	23-1/2" x 11-15/16" x 4-1/16"	4 ft	-
ASD-LSB2HV-400050B-PRM	400W	277-480 V	0-10 V	54,800 lm	5,000 K	Bronze	30-5/16" x 13-1/2" x 5-5/16"	4 ft	-
ASD-LSB2HV-500050B-PRM	500W	277-480 V	0-10 V	66,000 lm	5,000 K	Bronze	30-5/16" x 13-1/2" x 5-5/16"	4 ft	-







## PRODUCT SPECIFICATIONS:

Construction & Materials											
Lens	Polycarbonate (60/100/150/185W - 1 lens, 240/300W - 2 lens, 400/500W - 3 lens)										
Housing	Die-cast aluminum										
Finish	White, Silver, Bronze, Black										
Weight	ASD-LSB2-60D50W-PRM	8.1 lb (3.7 kg)	ASD-LSB2-185D30B-PRM	9 lb (4.1 kg)	ASD-LSB2-300D50B-SF	19.9 lb (9 kg)					
	ASD-LSB2-60D50B-PRM		ASD-LSB2-185D50W-PRM		ASD-LSB2-300D50B-AR	18.4 lb (8.3 kg)					
	ASD-LSB2-100D40B-PRM	8.8 lb (4 kg)	ASD-LSB2-185D50B-PRM	12.3 lb (5.6 kg)	ASD-LSB2-400D50B-PRM	24.3 lb (11 kg)					
	ASD-LSB2-100D50B-PRM		ASD-LSB2-185D50B-SF		ASD-LSB2-500D50B-PRM	22.5 lb (10.2 kg)					
	ASD-LSB2-100D50B-SF	12.2 lb (5.5 kg)	ASD-LSB2-185D50B-AR	10.8 lb (4.9 kg)	ASD-LSB2HV-100D50B-PRM	8.8 lb (4 kg)					
	ASD-LSB2-100D50B-AR	10.6 lb (4.8 kg)	ASD-LSB2-240D50B-PRM	15.5 lb (7 kg)	ASD-LSB2HV-150D50W-PRM	9 lb (4.1 kg)					
	ASD-LSB2-150D30B-PRM	9 lb (4.1 kg)	ASD-LSB2-240D50B-SF	18.8 lb (8.5 kg)	ASD-LSB2HV-150D50B-PRM						
	ASD-LSB2-150D40B-PRM		ASD-LSB2-240D50B-AR	17.3 lb (7.8 kg)	ASD-LSB2HV-185D50B-PRM						
	ASD-LSB2-150D50W-PRM		ASD-LSB2-300D40B-PRM	16.6 lb (7.5 kg)	ASD-LSB2HV-240D50B-PRM	15.5 lb (7 kg)					
	ASD-LSB2-150D50B-SL		ASD-LSB2-300D50W-PRM		ASD-LSB2HV-300D50W-PRM	16.6 lb (7.5 kg)					
	ASD-LSB2-150D50B-PRM		ASD-LSB2-300D50-SL		ASD-LSB2HV-300D50B-PRM	24.3 lb (11 kg)					
	ASD-LSB2-150D50B-BK		ASD-LSB2-300D50B-PRM		ASD-LSB2HV-400D50B-PRM						
	ASD-LSB2-150D50B-SF		12.3 lb (5.6 kg)	ASD-LSB2-300DAC-BR	15.9 lb (7.2 kg)	ASD-LSB2HV-500D50B-PRM					
	ASD-LSB2-150D50B-AR		10.8 lb (4.9 kg)	ASD-LSB2-300D50-BK	16.6 lb (7.5 kg)						
Environmental system											
Work environment	Suitable for Wet locations, IP66										
Operating temperature	-40°F to 140°F (-40°C to 60°C)										
L-70 Life	R > 72,000 hrs; C > 146,000 hrs										
Optical system											
Luminous flux	ASD-LSB2-60D50W-PRM	8,520 lm	ASD-LSB2-185D30B-PRM	24,050 lm	ASD-LSB2-300D50B-SF	40,200 lm					
	ASD-LSB2-60D50B-PRM		ASD-LSB2-185D50W-PRM	24,420 lm	ASD-LSB2-300D50B-AR						
	ASD-LSB2-100D40B-PRM	13,200 lm	ASD-LSB2-185D50B-PRM		31,680 lm	ASD-LSB2-400D50B-PRM	54,800 lm				
	ASD-LSB2-100D50B-PRM	13,400 lm	ASD-LSB2-185D50B-SF	39,600 lm		ASD-LSB2-500D50B-PRM	66,000 lm				
	ASD-LSB2-100D50B-SF		ASD-LSB2-185D50B-AR		ASD-LSB2HV-100D50B-PRM	13,400 lm					
	ASD-LSB2-100D50B-AR	19,500 lm	ASD-LSB2-240D50B-PRM	40,200 lm	ASD-LSB2HV-150D50W-PRM	19,800 lm					
	ASD-LSB2-150D30B-PRM		ASD-LSB2-240D50B-SF		ASD-LSB2HV-150D50B-PRM	24,420 lm					
	ASD-LSB2-150D40B-PRM	19,650 lm	ASD-LSB2-240D50B-AR	40,200 lm	ASD-LSB2HV-185D50B-PRM		24,420 lm				
	ASD-LSB2-150D50W-PRM	19,800 lm	ASD-LSB2-300D40B-PRM		39,339/46,991/45,277 lm	ASD-LSB2HV-240D50B-PRM	31,680 lm				
	ASD-LSB2-150D50B-SL		ASD-LSB2-300D50W-PRM	ASD-LSB2HV-300D50W-PRM		40,200 lm					
	ASD-LSB2-150D50B-PRM		ASD-LSB2-300D50-SL	ASD-LSB2HV-300D50B-PRM	54,800 lm						
	ASD-LSB2-150D50B-BK		ASD-LSB2-300D50B-PRM	ASD-LSB2HV-400D50B-PRM		66,000 lm					
	ASD-LSB2-150D50B-SF		ASD-LSB2-300DAC-BR	ASD-LSB2HV-500D50B-PRM							
	ASD-LSB2-150D50B-AR			ASD-LSB2-300D50-BK	40,200 lm						
	Color temperature		3,000 K, 4,000 K, 5,000 K, 3CCT (3,000/4,000/5,000 K)								
	CRI		> 80								
Electrical system											
Input voltage	Regular voltage: 120-277 V			High voltage: 277-480 V							
Max input current	ASD-LSB2-60D50W-PRM	0.7 A	ASD-LSB2-185D30B-PRM	2.1 A	ASD-LSB2-300D50B-SF	3.4 A					
	ASD-LSB2-60D50B-PRM		ASD-LSB2-185D50W-PRM		ASD-LSB2-300D50B-AR						
	ASD-LSB2-100D40B-PRM	1.2 A	ASD-LSB2-185D50B-PRM	2.7 A	ASD-LSB2-400D50B-PRM	3.33 A					
	ASD-LSB2-100D50B-PRM		ASD-LSB2-185D50B-SF		ASD-LSB2-500D50B-PRM	5.6 A					
	ASD-LSB2-100D50B-SF	ASD-LSB2-240D50B-PRM	ASD-LSB2-185D50B-AR	3.4 A	ASD-LSB2HV-100D50B-PRM	0.36 A					
	ASD-LSB2-100D50B-AR		ASD-LSB2-240D50B-SF		ASD-LSB2HV-150D50W-PRM	0.6 A					
	ASD-LSB2-150D30B-PRM	1.7 A	ASD-LSB2-240D50B-AR	4 A	ASD-LSB2HV-150D50B-PRM	0.8 A					
	ASD-LSB2-150D40B-PRM		ASD-LSB2-300D40B-PRM		ASD-LSB2HV-185D50B-PRM	1 A					
	ASD-LSB2-150D50W-PRM		ASD-LSB2-300D50W-PRM	ASD-LSB2HV-240D50B-PRM	1 A						
	ASD-LSB2-150D50B-SL		ASD-LSB2-300D50-SL	ASD-LSB2HV-300D50W-PRM	3.4 A						
	ASD-LSB2-150D50B-PRM		ASD-LSB2-300D50B-PRM	ASD-LSB2HV-300D50B-PRM	1.44 A						
	ASD-LSB2-150D50B-BK		ASD-LSB2-300DAC-BR	ASD-LSB2HV-500D50B-PRM	1.81 A						
	ASD-LSB2-150D50B-SF		ASD-LSB2-300D50-BK	ASD-LSB2-300D50B-PRM	3.4 A						
	ASD-LSB2-150D50B-AR			ASD-LSB2-300D50-BK							

For most up-to-date spec sheets please refer to [asd-lighting.com](http://asd-lighting.com)



# LED AREA LIGHT

Electrical system											
Inrush current (Action time)	ASD-LSB2-60D50W-PRM ASD-LSB2-60D50B-PRM	80 A (0.75 S)	ASD-LSB2-185D30B-PRM ASD-LSB2-185D50W-PRM	130 A (0.75 S)	ASD-LSB2-300D50B-SF ASD-LSB2-300D50B-AR	130 A (0.75 S)					
	ASD-LSB2-100D40B-PRM ASD-LSB2-100D50B-PRM ASD-LSB2-100D50B-SF ASD-LSB2-100D50B-AR	100 A (0.75 S)	ASD-LSB2-185D50B-SF ASD-LSB2-185D50B-AR ASD-LSB2-240D50B-PRM ASD-LSB2-240D50B-SF		ASD-LSB2-400D50B-PRM ASD-LSB2-500D50B-PRM ASD-LSB2HV-100D50B-PRM ASD-LSB2HV-150D50W-PRM ASD-LSB2HV-150D50B-PRM	120 A (0.56 S) 260 A (0.75 S) 25 A (0.9 S) 55 A (0.75 S)					
	ASD-LSB2-150D30B-PRM ASD-LSB2-150D40B-PRM ASD-LSB2-150D50W-PRM ASD-LSB2-150D50B-SL ASD-LSB2-150D50B-PRM ASD-LSB2-150D50B-BK	130 A (0.75 S)	ASD-LSB2-240D50B-AR ASD-LSB2-300D40B-PRM ASD-LSB2-300D50W-PRM ASD-LSB2-300D50-SL ASD-LSB2-300D50B-PRM		ASD-LSB2HV-185D50B-PRM ASD-LSB2HV-240D50B-PRM ASD-LSB2HV-300D50W-PRM ASD-LSB2HV-300D50B-PRM	90 A (0.75 S)					
	ASD-LSB2-150D50B-SF ASD-LSB2-150D50B-AR		ASD-LSB2-300D50B-PRM ASD-LSB2-300D50B-BK		ASD-LSB2HV-400D50B-PRM ASD-LSB2HV-500D50B-PRM	50 A (0.84 S)					
	Off state power	0W									
	Power consumption	ASD-LSB2-60D50W-PRM ASD-LSB2-60D50B-PRM	60W		ASD-LSB2-185D30B-PRM ASD-LSB2-185D50W-PRM	185W	ASD-LSB2-300D50B-SF ASD-LSB2-300D50B-AR	300W			
		ASD-LSB2-100D40B-PRM ASD-LSB2-100D50B-PRM ASD-LSB2-100D50B-SF ASD-LSB2-100D50B-AR	100W		ASD-LSB2-185D50B-PRM ASD-LSB2-185D50B-SF ASD-LSB2-185D50B-AR ASD-LSB2-240D50B-PRM		ASD-LSB2-400D50B-PRM ASD-LSB2-500D50B-PRM ASD-LSB2HV-100D50B-PRM ASD-LSB2HV-150D50W-PRM ASD-LSB2HV-150D50B-PRM	400W 500W 100W 150W			
		ASD-LSB2-150D30B-PRM ASD-LSB2-150D40B-PRM ASD-LSB2-150D50W-PRM	150W		ASD-LSB2-240D50B-SF ASD-LSB2-240D50B-AR ASD-LSB2-300D40B-PRM ASD-LSB2-300D50W-PRM ASD-LSB2-300D50-SL		ASD-LSB2HV-185D50B-PRM ASD-LSB2HV-240D50B-PRM ASD-LSB2HV-300D50W-PRM ASD-LSB2HV-300D50B-PRM	185W 240W 300W			
		ASD-LSB2-150D50B-SL ASD-LSB2-150D50B-PRM ASD-LSB2-150D50B-BK ASD-LSB2-150D50B-SF ASD-LSB2-150D50B-AR			ASD-LSB2-300D50B-PRM ASD-LSB2-300D50B-SL ASD-LSB2-300D50B-PRM ASD-LSB2-300D50B-BK		ASD-LSB2HV-400D50B-PRM ASD-LSB2HV-500D50B-PRM	400W 500W			
		Power factor			> 0.9						
		Output voltage			ASD-LSB2-60D50W-PRM ASD-LSB2-60D50B-PRM ASD-LSB2-100D40B-PRM ASD-LSB2-100D50B-PRM ASD-LSB2-100D50B-SF ASD-LSB2-100D50B-AR		90-130 V	ASD-LSB2-185D30B-PRM ASD-LSB2-185D50W-PRM ASD-LSB2-185D50B-PRM ASD-LSB2-185D50B-SF ASD-LSB2-185D50B-AR ASD-LSB2-240D50B-PRM	180-260 V	ASD-LSB2-300D50B-SF ASD-LSB2-300D50B-AR ASD-LSB2-400D50B-PRM ASD-LSB2-500D50B-PRM ASD-LSB2HV-100D50B-PRM ASD-LSB2HV-150D50W-PRM ASD-LSB2HV-150D50B-PRM	180-260 V 64 V 180-260 V
					ASD-LSB2-150D30B-PRM ASD-LSB2-150D40B-PRM ASD-LSB2-150D50W-PRM ASD-LSB2-150D50B-SL ASD-LSB2-150D50B-PRM ASD-LSB2-150D50B-BK ASD-LSB2-150D50B-SF ASD-LSB2-150D50B-AR		180-260 V	ASD-LSB2-240D50B-SF ASD-LSB2-240D50B-AR ASD-LSB2-300D40B-PRM ASD-LSB2-300D50W-PRM ASD-LSB2-300D50-SL ASD-LSB2-300D50B-PRM ASD-LSB2-300D50B-PRM ASD-LSB2-300D50B-BK		ASD-LSB2HV-185D50B-PRM ASD-LSB2HV-240D50B-PRM ASD-LSB2HV-300D50W-PRM ASD-LSB2HV-300D50B-PRM ASD-LSB2HV-400D50B-PRM ASD-LSB2HV-500D50B-PRM	22-56 V
					ASD-LSB2-60D50W-PRM ASD-LSB2-60D50B-PRM ASD-LSB2-100D40B-PRM ASD-LSB2-100D50B-PRM ASD-LSB2-100D50B-SF ASD-LSB2-100D50B-AR		470 mA	ASD-LSB2-185D30B-PRM ASD-LSB2-185D50W-PRM		ASD-LSB2-300D50B-SF ASD-LSB2-300D50B-AR	1.26 A
					ASD-LSB2-150D30B-PRM ASD-LSB2-150D40B-PRM ASD-LSB2-150D50W-PRM		820 mA	ASD-LSB2-185D50B-SF ASD-LSB2-185D50B-AR ASD-LSB2-240D50B-PRM ASD-LSB2-240D50B-SF ASD-LSB2-240D50B-AR		ASD-LSB2-400D50B-PRM ASD-LSB2-500D50B-PRM ASD-LSB2HV-100D50B-PRM ASD-LSB2HV-150D50W-PRM ASD-LSB2HV-150D50B-PRM ASD-LSB2HV-185D50B-PRM ASD-LSB2HV-240D50B-PRM	8.4 A 2.1 A 2 A 3 A 3.7 A 4.75 A
ASD-LSB2-150D50B-SL ASD-LSB2-150D50B-PRM ASD-LSB2-150D50B-BK ASD-LSB2-150D50B-SF ASD-LSB2-150D50B-AR				630 mA	ASD-LSB2-300D40B-PRM ASD-LSB2-300D50W-PRM ASD-LSB2-300D50-SL ASD-LSB2-300D50B-PRM ASD-LSB2-300D50B-PRM ASD-LSB2-300D50B-BK		ASD-LSB2HV-300D50W-PRM ASD-LSB2HV-300D50B-PRM ASD-LSB2HV-400D50B-PRM ASD-LSB2HV-500D50B-PRM	6 A 10 A			
ASD-LSB2-150D50B-SF ASD-LSB2-150D50B-AR					ASD-LSB2-300D50B-PRM ASD-LSB2-300D50B-BK		ASD-LSB2HV-400D50B-PRM ASD-LSB2HV-500D50B-PRM				
Surge protection DM/CM				Regular voltage: 10 kV / 10 kV			for 60W models: 4 kV / 6 kV			High voltage: 6 kV / 10 kV	
<b>Effective projected area (EPA) ratings</b>											
Fixture q-ty											
	Single		Double 180°	Double 90°	Triple 90°	Triple 120°	Quad 90°				
EPA of 60/100/150/185W	0.23		0.46	0.4	0.63	0.73	0.73				
EPA of 240/300W	0.42		0.84	0.72	1.14	1.54	1.54				
EPA of 400/500W	0.58		1.16	1	1.58	2.13	2.13				
<b>Dimming compatible controls</b>											
Brand	Maxxima	Keygma	Leviton	Lutron	Eaton						
Models	MEW-DM600LV	KGM-1A010V	IP710-DLZ	DVSTV-WH	DF10P-C1						

For most up-to-date spec sheets please refer to [asd-lighting.com](http://asd-lighting.com)





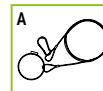
# LED AREA LIGHT

### Regular and voluntary certifications

5-year limited warranty  
 DesignLights Consortium (DLC) listed (Classification: Premium) Main: Outdoor Luminaires;  
 General Application: Mid/High/Very high output (very high output for models from 240W and higher);  
 Primary Use: Outdoor Pole/Arm-Mounted Area and Roadway Luminaires  
 UL certified E473804

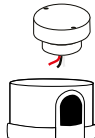
### PACKAGE CONTENTS:

Description	Q-ty
LED Area Light Fixture	1
Safety cable (A) for only 400W/500W models	1
Box	1

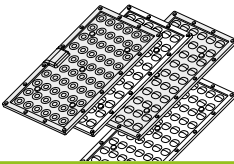


### ACCESSORIES (sold separately):

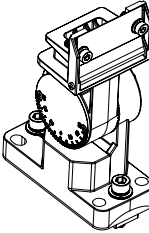
**Photocell kit**  
 for regular voltage ASD-PC-LSB  
 for high voltage ASD-PC-LSBHV



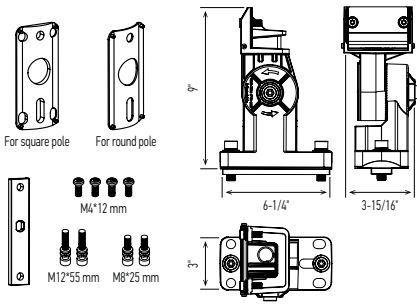
**Clear lens**  
 Floodlight distribution 30°  
 ASD-LFL-LSB  
 type II-M ASD-LZM-LSB  
 type IV-M ASD-L4M-LSB  
 type V-M ASD-L5M-LSB



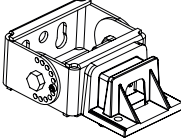
**Adjustable arm mounting bracket**  
 ASD-AMR-LSB2-BR



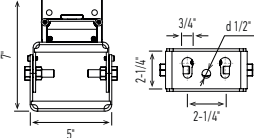
For square pole For round pole



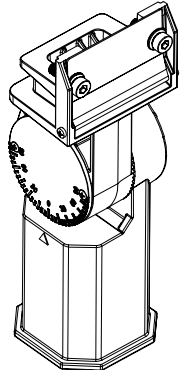
**Full trunnion mounting bracket**  
 ASD-TR-LSB2-WH  
 ASD-TR-LSB2-SL  
 ASD-TR-LSB2-BR  
 ASD-TR-LSB2-BK



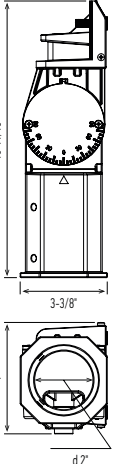
M8\*25 mm  
M12\*60 mm



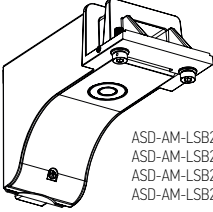
**Slip fitter bracket**  
 ASD-SF-LSB2-WH ASD-SF-LSB2-BR  
 ASD-SF-LSB2-SL ASD-SF-LSB2-BK



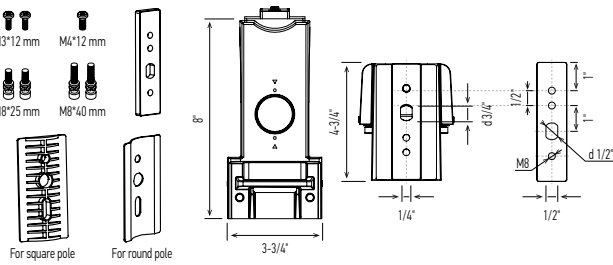
M12\*45 mm  
M8\*25 mm  
M8\*20 mm  
M4\*12 mm



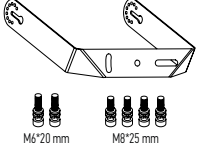
**Arm mounting bracket for round and square poles**  
 ASD-AM-LSB2-WH  
 ASD-AM-LSB2-SL  
 ASD-AM-LSB2-BR  
 ASD-AM-LSB2-BK



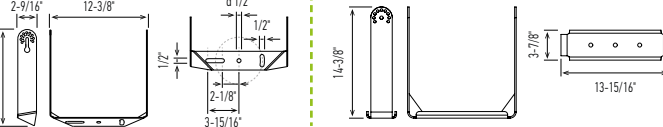
M3\*12 mm M4\*12 mm  
M8\*25 mm M8\*40 mm



**Floodlight mounting bracket**  
 for 100-300W ASD-FM-LSB2-100/300BR  
 for 400-500W ASD-FM-LSB2-400/500BR



M6\*20 mm M8\*25 mm



### ACCESSORIES COMPATIBLE LIST:

Accessories											
		Photocell kit ASD-PC-LSB	Photocell kit for high voltage ASD-PC-LSBHV	Clear lens ASD-LFL-LSB ASD-LZM-LSB ASD-L4M-LSB ASD-L5M-LSB	Full trunnion mounting bracket ASD-TR-LSB2-WH ASD-TR-LSB2-SL ASD-TR-LSB2-BR ASD-TR-LSB2-BK	Slip fitter bracket ASD-SF-LSB2-WH ASD-SF-LSB2-SL ASD-SF-LSB2-BR ASD-SF-LSB2-BK	Arm mounting bracket ASD-AM-LSB2-WH ASD-AM-LSB2-SL ASD-AM-LSB2-BR ASD-AM-LSB2-BK	Adjustable arm mounting bracket ASD-AMR-LSB2-BR	Floodlight mounting bracket ASD-FM-LSB2-100/300BR	Floodlight mounting bracket ASD-FM-LSB2-400/500BR	
ASD-LSB2	60W	•		•	•	•	•	•	•		
	100W	•		•	•	•	•	•	•		
	150W	•		•	•	•	•	•	•		
	185W	•		•	•	•	•	•	•		
	240W	•		•	•	•	•	•	•		
	300W	•		•	•	•	•	•	•		
ASD-LSB2HV	400W	•	•	•	•	•	•	•	•	•	
	500W	•	•	•	•	•	•	•	•	•	
	100W		•	•	•	•	•	•	•	•	
	150W		•	•	•	•	•	•	•	•	
	185W		•	•	•	•	•	•	•	•	
240W		•	•	•	•	•	•	•	•		
300W		•	•	•	•	•	•	•	•		
400W		•	•	•	•	•	•	•	•		
500W		•	•	•	•	•	•	•	•		

For most up-to-date spec sheets please refer to [asd-lighting.com](http://asd-lighting.com)



# LED AREA LIGHT

## INSTALLATION GUIDE

### IMPORTANT SAFETY INFORMATION:

Please read all the instructions below before installation.

- ▶ Make sure that the supply voltage corresponds to the rated product voltage.
- ▶ The product must be installed by a qualified electrician in accordance with the National Electrical Code and corresponding local codes.
- ▶ If the product is damaged, do not use it.

### ⚠ WARNING

**RISK OF PERSONAL INJURY – READ and follow all WARNINGS and installation instructions.**

Keep or give to the owner for future reference.

**Risk of cuts:** Wear gloves to prevent cuts or abrasions when removing from carton, handling, installing, and maintaining this product.

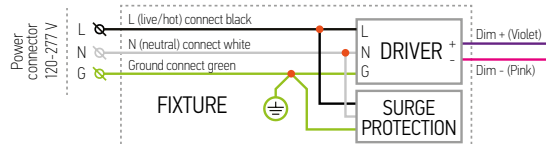
**Risk of electric shock:** This product must be installed in accordance with the applicable installation code by a person familiar with the construction and operation of the product and the hazards involved.

**Risk of Fire:** Minimum 194°F supply conductors. Consult a qualified electrician to ensure correct branch circuit conductor.

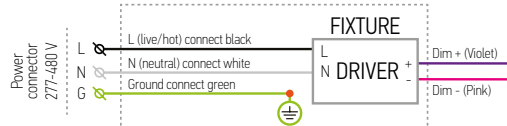
ASD® assumes no responsibility for claims arising out of improper or careless installation or handling of this product.

### ELECTRICAL SCHEMATIC DIAGRAM:

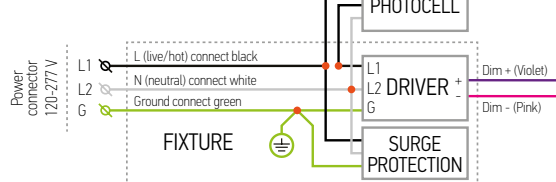
#### LSB2



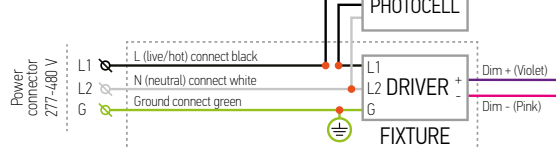
#### LSB2 high voltage



#### LSB2 with photocell kit



#### LSB2 high voltage with photocell kit



\* The regular voltage 120-277 V fixtures can be alternatively powered without neutral by two-phase circuit with phase-to-phase voltage of 208 V (L1-120 V & L2-120 V).

**WARNING:** Phase-to-phase voltage should be less than 277 V (160 V per each phase) and more than 120 V (70 V per each phase)! Do not confuse Regular Voltage fixtures of 120-277 V with High Voltage ones of 277-480 V!

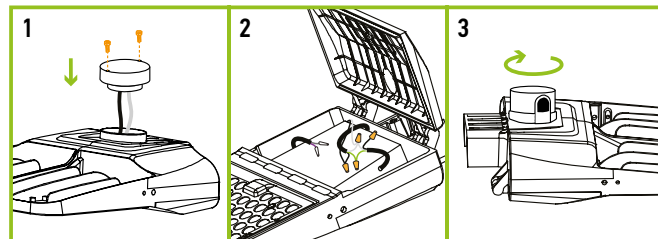
### PHOTOCELL KIT

ASD-PC-LSB

ASD-PC-LSBHV

sold separately:

1. Power off before installation. Use a screwdriver to take off the circular plate (2 screws). Screw the photocell base on the top of the fixture, pull the wires through the driver box.
2. Use a screwdriver to open the driver box (2 screws). Connect the wires Black to Black, White to White and Red to Load.
3. Firmly place the photocell into the receptacle base and twist it clockwise until it locks into place.



### LENS

ASD-LFL-LSB

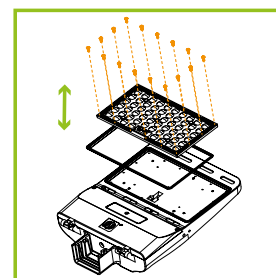
ASD-L2M-LSB

ASD-L4M-LSB

ASD-L5M-LSB sold separately:

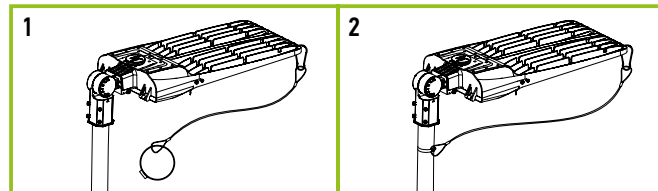
1. Unscrew the 16 screws of the original lens (T3-M) on the housing.
2. Install the rubber ring on new lens (T4/T5-M, sold separately).
3. Place the lens on the housing and make sure it fits the LEDs correctly.
4. Tighten the 16 screws back.

Lens	
60W, 100W, 150W, 185W	1 lens
240W, 300W	2 lens
400W, 500W	3 lens



### SAFETY CABLE:

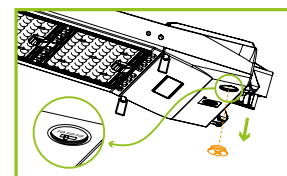
1. Attach one end of the included safety cable through the hole between the fins on the luminaire.
2. Ensure the safety cable is secured on the fixture. Secure the other end of the safety cable to the mounting structure/pole.



Safety cable for 400W/500W models only

### COLOR TEMPERATURE SETTINGS:

Open knockout cap in the front panel of the fixture and choose color temperature you need with the simple switch. Then close the knockout cap back.



For most up-to-date spec sheets please refer to [asd-lighting.com](http://asd-lighting.com)

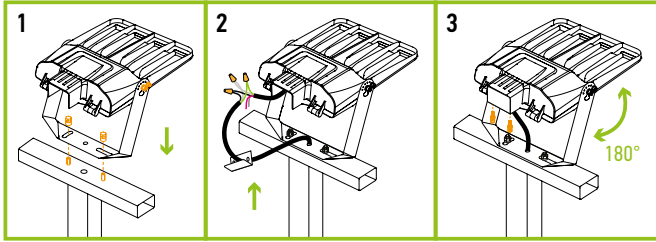


# LED AREA LIGHT

## FLOODLIGHT MOUNTING BRACKET

**ASD-FM-LSB2** sold separately:

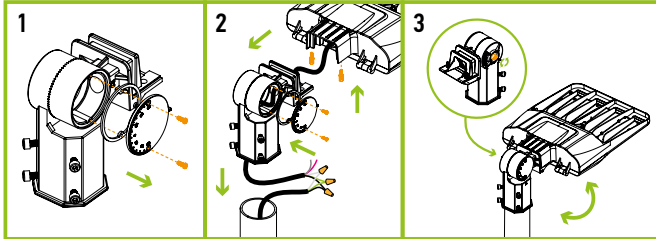
1. Drill holes on the mounting surface corresponding to the holes in the arm. Attach fixture to bracket with 2 screws and bracket to surface with 2 screws.
2. Wire in accordance to the wiring schematic.
3. Seal the connections with the back plate of the fixture. Adjust fixture angle as needed.



## SLIP FITTER MOUNTING BRACKET

**ASD-SF-LSB2** sold separately:

1. Remove the circular plate from the slip fitter (2 screws).
2. Thread the wire through the slip fitter into the pole. Make AC connections in accordance to wiring diagram.
3. If necessary adjust the fixture angle with the large hex bolt on the side of the slip fitter.

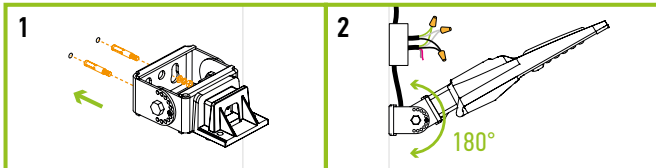


The wiring is inside the pole, the side is sealed with a rubber ring and fixed with screws, preventing water from getting inside the fixture.

## FULL TRUNNION MOUNTING BRACKET

**ASD-TR-LSB2** sold separately:

1. Drill holes on the mounting surface, size corresponding to the holes on the arm. Fix the bracket on the wall with screws. Pull wires through mount, secure fixture to the bracket.
2. Wire the AC power into the water tight junction box as shown in the wiring schematic diagram. Adjust the screw position to get desired angle when necessary.

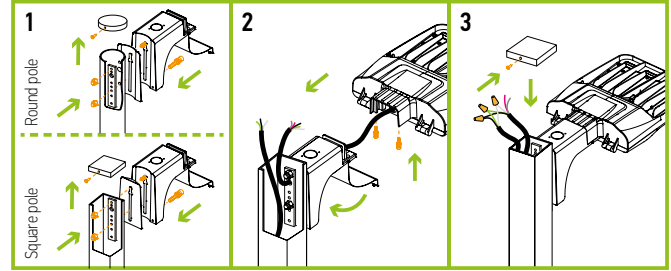


## ARM MOUNTING BRACKET

**ASD-AM-LSB2**

sold separately:

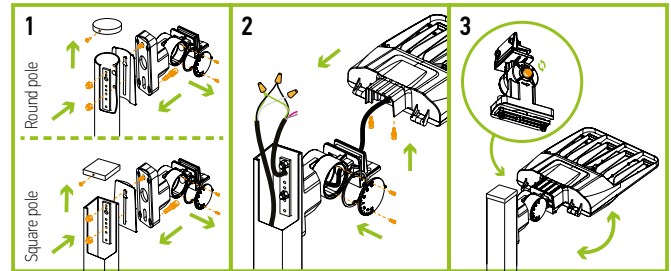
1. Open up the door on the arm bracket (1 screw). Install the mounting arm onto the pole (2 bolts). Make sure the silicone gaskets form a tight seal. Choose gasket depending on the shape of the pole (round or flat).
2. Thread the cord from the fixture through the bracket into the pole and tighten the two M8 screws on the body of the light.
3. Pass the AC wire through the base and tighten the two screws on the body of the fixture.



## ADJUSTABLE ARM MOUNTING BRACKET

**ASD-AMR-LSB2-BR** sold separately:

1. Open up the door on the arm bracket (1 screw). Install the mounting arm onto the pole (2 bolts). Make sure the silicone gaskets form a tight seal. Choose gasket depending on the shape of the pole (round or flat).
2. Thread the cord from the fixture through the bracket into the pole and tighten the two M8 screws on the body of the light.
3. Pass the AC wire through the base and tighten the two screws on the body of the fixture. If necessary adjust the fixture angle with the large hex bolt on the side of the bracket.





# LED AREA LIGHT

## ORDERING INFORMATION

Model	Pcs. per carton	Carton size	Carton weight	UPC
ASD-LSB2-60D50W-PRM	1	19.1" x 13.4" x 6.1"	9.9 lb	810050732710
ASD-LSB2-60D50B-PRM	1	19.1" x 13.4" x 6.1"	9.9 lb	819201026920
ASD-LSB2-100D40B-PRM	1	19.1" x 13.4" x 6.1"	10.2 lb	810050733342
ASD-LSB2-100D50B-PRM	1	19.1" x 13.4" x 6.1"	10.2 lb	819201026449
ASD-LSB2-100D50B-SF	1	25.9" x 15.4" x 6.1"	13.5 lb	810050735568
ASD-LSB2-100D50B-AR	1	25.9" x 15.4" x 6.1"	12 lb	810050735612
ASD-LSB2-150D30B-PRM	1	19.1" x 13.4" x 6.1"	10.3 lb	810050730198
ASD-LSB2-150D40B-PRM	1	19.1" x 13.4" x 6.1"	10.3 lb	810050733359
ASD-LSB2-150D50W-PRM	1	19.1" x 13.4" x 6.1"	10.3 lb	810050732727
ASD-LSB2-150D50-SL	1	19.1" x 13.4" x 6.1"	10.3 lb	810050736954
ASD-LSB2-150D50B-PRM	1	19.1" x 13.4" x 6.1"	10.3 lb	819201026456
ASD-LSB2-150D50-BK	1	19.1" x 13.4" x 6.1"	10.3 lb	810050736947
ASD-LSB2-150D50B-SF	1	25.9" x 15.4" x 6.1"	13.6 lb	810050735575
ASD-LSB2-150D50B-AR	1	25.9" x 15.4" x 6.1"	12.1 lb	810050735629
ASD-LSB2-185D30B-PRM	1	19.1" x 13.4" x 6.1"	10.3 lb	810050730204
ASD-LSB2-185D50W-PRM	1	19.1" x 13.4" x 6.1"	10.3 lb	810050732734
ASD-LSB2-185D50B-PRM	1	19.1" x 13.4" x 6.1"	10.3 lb	819201026463
ASD-LSB2-185D50B-SF	1	25.9" x 15.4" x 6.1"	13.6 lb	810050735582
ASD-LSB2-185D50B-AR	1	25.9" x 15.4" x 6.1"	12.1 lb	810050735636
ASD-LSB2-240D50B-PRM	1	25.7" x 13.4" x 6.1"	18.1 lb	819201026470
ASD-LSB2-240D50B-SF	1	32.4" x 15.4" x 6.1"	20.4 lb	810050735599
ASD-LSB2-240D50B-AR	1	32.4" x 15.4" x 6.1"	18.8 lb	810050735643
ASD-LSB2-300D40B-PRM	1	25.7" x 13.4" x 6.1"	18.1 lb	810050733366
ASD-LSB2-300D50W-PRM	1	25.7" x 13.4" x 6.1"	18.1 lb	810050732741
ASD-LSB2-300D50-SL	1	25.7" x 13.4" x 6.1"	18.1 lb	810050736978
ASD-LSB2-300D50B-PRM	1	25.7" x 13.4" x 6.1"	18.1 lb	819201026487
ASD-LSB2-300DAC-BR	1	25.7" x 13.4" x 6.1"	17.4 lb	810050737951
ASD-LSB2-300D50-BK	1	25.7" x 13.4" x 6.1"	18.1 lb	810050736961
ASD-LSB2-300D50B-SF	1	32.4" x 15.4" x 6.1"	21.5 lb	810050735605
ASD-LSB2-300D50B-AR	1	32.4" x 15.4" x 6.1"	19.9 lb	810050735650
ASD-LSB2-400D50B-PRM	1	32.3" x 15" x 7.1"	26.2 lb	819201026494
ASD-LSB2-500D50B-PRM	1	33.9" x 17" x 8.5"	25.6 lb	819201026517
<b>LSB2 HIGH VOLTAGE</b>				
ASD-LSB2HV-100D50B-PRM	1	19.1" x 13.4" x 6.1"	10.7 lb	810050730358
ASD-LSB2HV-150D50W-PRM	1	19.1" x 13.4" x 6.1"	10.3 lb	810050732765
ASD-LSB2HV-150D50B-PRM	1	19.1" x 13.4" x 6.1"	10.3 lb	819201027392
ASD-LSB2HV-185D50B-PRM	1	19.1" x 13.4" x 6.1"	10.3 lb	819201027408
ASD-LSB2HV-240D50B-PRM	1	25.7" x 13.4" x 6.1"	17 lb	810050730228
ASD-LSB2HV-300D50W-PRM	1	25.7" x 13.4" x 6.1"	18.1 lb	810050732789
ASD-LSB2HV-300D50B-PRM	1	25.7" x 13.4" x 6.1"	18.1 lb	819201026821
ASD-LSB2HV-400D50B-PRM	1	32.3" x 15" x 7.1"	26.7 lb	819201026838
ASD-LSB2HV-500D50B-PRM	1	32.3" x 15" x 7.1"	26.7 lb	819201026845

## ACCESSORIES:

Model	Name	UPC	Pcs. per carton	Carton size	Carton weight	GTIN 14
ASD-SF-LSB2-WH	Slip fitter mounting bracket white	810050738019	10	18.4" x 9.3" x 11.8"	35.1 lb	10810050738016
ASD-SF-LSB2-SL	Slip fitter mounting bracket silver	810050738163	10	18.4" x 9.3" x 11.8"	35.1 lb	10810050738160
ASD-SF-LSB2-BR	Slip fitter mounting bracket bronze	810050738002	10	18.4" x 9.3" x 11.8"	35.1 lb	10810050738009
ASD-SF-LSB2-BK	Slip fitter mounting bracket black	810050738156	10	18.4" x 9.3" x 11.8"	35.1 lb	10810050738153
ASD-AM-LSB2-WH	Arm mounting bracket white	810050738187	10	21.4" x 10.8" x 9.8"	20.3 lb	10810050738184
ASD-AM-LSB2-SL	Arm mounting bracket silver	810050738200	10	21.4" x 10.8" x 9.8"	20.3 lb	10810050738207
ASD-AM-LSB2-BR	Arm mounting bracket bronze	810050738170	10	21.4" x 10.8" x 9.8"	20.3 lb	10810050738177
ASD-AM-LSB2-BK	Arm mounting bracket black	810050738194	10	21.4" x 10.8" x 9.8"	20.3 lb	10810050738191
ASD-AMR-LSB2-BR	Adjustable arm mounting bracket	810050738217	10	21.4" x 9.6" x 13.4"	30.9 lb	10810050738214
ASD-TR-LSB2-WH	Full trunnion mounting bracket white	810050737999	10	14.5" x 14" x 8.2"	31.7 lb	10810050737996
ASD-TR-LSB2-SL	Full trunnion mounting bracket silver	810050738248	10	14.5" x 14" x 8.2"	31.7 lb	10810050738245
ASD-TR-LSB2-BR	Full trunnion mounting bracket bronze	810050738224	10	14.5" x 14" x 8.2"	31.7 lb	10810050738221
ASD-TR-LSB2-BK	Full trunnion mounting bracket black	810050738231	10	14.5" x 14" x 8.2"	31.7 lb	10810050738238
ASD-FM-LSB2-100/300BR	Floodlight mounting bracket for 100-300W	810050738255	10	26" x 16.1" x 13.4"	32 lb	10810050738252
ASD-FM-LSB2-400/500BR	Floodlight mounting bracket for 400-500W	810050738262	5	15.4" x 14.9" x 20.5"	61.3 lb	20810050738266
ASD-PC-LSB	Photocell kit	819201023622	100	17.4" x 17.4" x 19.8"	52.9 lb	10819201023629
ASD-PC-LSBHV	Photocell kit for high voltage	819201023646	24	23.2" x 15.7" x 6.3"	131 lb	10819201023643
ASD-LFL-LSB	Clear lens 30° floodlight distribution	810050737098	50	20.6" x 11.5" x 6.7"	29.1 lb	10810050737095
ASD-L2M-LSB	Clear lens type II-M	810050731508	50	20.6" x 11.5" x 6.7"	22.5 lb	10810050731505
ASD-L4M-LSB	Clear lens type IV-M	819201023844	50	20.6" x 11.5" x 6.7"	26.9 lb	10819201023841
ASD-L5M-LSB	Clear lens type V-M	819201023851	50	20.6" x 11.5" x 6.7"	23.6 lb	10819201023858

For most up-to-date spec sheets please refer to [asd-lighting.com](http://asd-lighting.com)

ASD LIGHTING CORP

E-mail: [orders@asd-lighting.com](mailto:orders@asd-lighting.com) | Web site: [www.asd-lighting.com](http://www.asd-lighting.com)

