



LED AREA LIGHT

Premium Series

► **DESIGN & OPTIONS** - LED AREA LIGHTS have durable die-cast aluminum housing and are 3G vibration rated to ensure strength of construction and longevity. The housing is sealed against moisture and environmental contaminants and is designed to maximize heat dissipation and protect the light chips. The type III-M lens is designed to maximize efficiency and spacing. Models with a built-in photocell are also available. It will automatically turn the fixture on/off depending on the time of day. You can choose 120-277V or 200-480V with a 0-10V dimmable driver and a 3,000K, 4,000K or 5,000K color temperature with a BRONZE or WHITE finish.

► **INSTALLATION** - This fixture can be pole, post, or wall mounted using the following brackets: slip fitter bracket, arm bracket, floodlight bracket, or full trunnion bracket. All brackets are sold separately. Refer to install instructions for more information.

► **APPLICATION** - This LED AREA LIGHT is ideal for commercial and industrial outdoor lighting. Common uses for this fixture include: roadway lighting, highway lighting, sport lighting, parks, parking lots, buildings, backyards, walkways, and many other applications. It is also Wet location rated and can operate in temperatures ranging from -40+122°F (-40+50°C), allowing it to be utilized in a wide variety of applications and climates.

► **ENERGY SAVING & EFFICIENCY** - This fixture provides a lumen output equal to MH/HPS and can cut your electric bill by up to 80% instantly. With a lifespan of 54,000 hours, these fixtures are made to last decades under normal operation! This fixture will save you a significant amount of money in its lifetime.

► **CERTIFICATION & WARRANTY** - Buy with confidence: ASD provides a 5-year warranty along with UL and DLC Premium certifications to guarantee top quality products and safety!

Top US certifications allow participation in rebates; please check the rebate programs available in your state.

Catalog number	
Notes	
Type	



PRODUCT LEGEND:

Family	Modification	Voltage	Watts	Dimmable	CCT	Finish	Options	Series	Option
ASD-LSB	2	XX	XX	D	XX	X	XX	PRM	SF
LED Area light		Blank = 120-277 V HV = 200-480 V	60 = 60 W 150 = 150 W 240 = 240 W 400 = 400 W	100 = 100 W 185 = 185 W 300 = 300 W 500 = 500 W	Dimmable	30 = 3,000 K 40 = 4,000 K 50 = 5,000 K	B = Bronze W = White PC = Photocell	Premium	Slip Fitter

LED AREA LIGHT:

Model	Watts	Voltage	Dimming	Lumens	CCT	Finish	Dimensions (LxWxH)	Option	Cord
ASD-LSB2-60D50B-PRM	60 W	120-277 V	1-10 V	8,401 lm	5,000 K	Bronze	16 7/8" x 11 7/8" x 4 1/8"	-	3 ft
ASD-LSB2-60D50W-PRM	60 W	120-277 V	1-10 V	8,401 lm	5,000 K	White	16 7/8" x 11 7/8" x 4 1/8"	-	3 ft
ASD-LSB2-100D30B-PRM	100 W	120-277 V	1-10 V	12,733 lm	3,000 K	Bronze	16 7/8" x 11 7/8" x 4 1/8"	-	3 ft
ASD-LSB2-100D40B-PRM	100 W	120-277 V	1-10 V	13,006 lm	4,000 K	Bronze	16 7/8" x 11 7/8" x 4 1/8"	-	3 ft
ASD-LSB2-100D50B-PRM	100 W	120-277 V	1-10 V	13,277 lm	5,000 K	Bronze	16 7/8" x 11 7/8" x 4 1/8"	-	3 ft
ASD-LSB2-150D30B-PRM	150 W	120-277 V	1-10 V	18,960 lm	3,000 K	Bronze	16 7/8" x 11 7/8" x 4 1/8"	-	3 ft
ASD-LSB2-150D40B-PRM	150 W	120-277 V	1-10 V	19,567 lm	4,000 K	Bronze	16 7/8" x 11 7/8" x 4 1/8"	-	3 ft
ASD-LSB2-150D50B-PRM	150 W	120-277 V	1-10 V	19,972 lm	5,000 K	Bronze	16 7/8" x 11 7/8" x 4 1/8"	-	3 ft
ASD-LSB2-150D50W-PRM	150 W	120-277 V	1-10 V	19,972 lm	5,000 K	White	16 7/8" x 11 7/8" x 4 1/8"	-	3 ft
ASD-LSB2-185D30B-PRM	185 W	120-277 V	1-10 V	23,126 lm	3,000 K	Bronze	16 7/8" x 11 7/8" x 4 1/8"	-	3 ft
ASD-LSB2-185D50B-PRM	185 W	120-277 V	1-10 V	24,087 lm	5,000 K	Bronze	16 7/8" x 11 7/8" x 4 1/8"	-	3 ft
ASD-LSB2-185D50W-PRM	185 W	120-277 V	1-10 V	24,087 lm	5,000 K	White	16 7/8" x 11 7/8" x 4 1/8"	-	3 ft
ASD-LSB2-240D50B-PRM	240 W	120-277 V	1-10 V	31,290 lm	5,000 K	Bronze	23 1/4" x 11 7/8" x 4 1/8"	-	3 ft
ASD-LSB2-300D30B-PRM	300 W	120-277 V	1-10 V	37,632 lm	3,000 K	Bronze	23 1/4" x 11 7/8" x 4 1/8"	-	3 ft
ASD-LSB2-300D40B-PRM	300 W	120-277 V	1-10 V	38,837 lm	4,000 K	Bronze	23 1/4" x 11 7/8" x 4 1/8"	-	3 ft
ASD-LSB2-300D50B-PRM	300 W	120-277 V	1-10 V	39,302 lm	5,000 K	Bronze	23 1/4" x 11 7/8" x 4 1/8"	-	3 ft
ASD-LSB2-300D50W-PRM	300 W	120-277 V	1-10 V	39,302 lm	5,000 K	White	23 1/4" x 11 7/8" x 4 1/8"	-	3 ft
ASD-LSB2-400D50B-PRM	400 W	120-277 V	0-10 V	52,913 lm	5,000 K	Bronze	30 1/4" x 13 1/2" x 4 3/4"	-	3 ft
ASD-LSB2-500D50B-PRM	500 W	120-277 V	0-10 V	65,293 lm	5,000 K	Bronze	30 1/4" x 13 1/2" x 4 3/4"	-	3 ft
ASD-LSB2-500D50W-PRM	500 W	120-277 V	0-10 V	65,293 lm	5,000 K	White	30 1/4" x 13 1/2" x 4 3/4"	-	3 ft
ASD-LSB2HV-100D50B-PRM	100 W	200-480 V	0-10 V	13,185 lm	5,000 K	Bronze	16 7/8" x 11 7/8" x 4 1/8"	-	3 ft
ASD-LSB2HV-150D50B-PRM	150 W	200-480 V	0-10 V	19,701 lm	5,000 K	Bronze	16 7/8" x 11 7/8" x 4 1/8"	-	3 ft
ASD-LSB2HV-150D50W-PRM	150 W	200-480 V	0-10 V	19,701 lm	5,000 K	White	16 7/8" x 11 7/8" x 4 1/8"	-	3 ft
ASD-LSB2HV-185D50B-PRM	185 W	200-480 V	0-10 V	24,002 lm	5,000 K	Bronze	16 7/8" x 11 7/8" x 4 1/8"	-	3 ft
ASD-LSB2HV-185D50W-PRM	185 W	200-480 V	0-10 V	24,002 lm	5,000 K	White	16 7/8" x 11 7/8" x 4 1/8"	-	3 ft
ASD-LSB2HV-240D50B-PRM	240 W	200-480 V	0-10 V	31,102 lm	5,000 K	Bronze	23 1/4" x 11 7/8" x 4 1/8"	-	3 ft
ASD-LSB2HV-300D50B-PRM	300 W	200-480 V	0-10 V	42,616 lm	5,000 K	Bronze	23 1/4" x 11 7/8" x 4 1/8"	-	3 ft
ASD-LSB2HV-300D50W-PRM	300 W	200-480 V	0-10 V	42,616 lm	5,000 K	White	23 1/4" x 11 7/8" x 4 1/8"	-	3 ft
ASD-LSB2HV-400D50B-PRM	400 W	200-480 V	0-10 V	56,865 lm	5,000 K	Bronze	30 1/4" x 13 1/2" x 4 3/4"	-	3 ft
ASD-LSB2HV-500D50B-PRM	500 W	200-480 V	0-10 V	69,582 lm	5,000 K	Bronze	30 1/4" x 13 1/2" x 4 3/4"	-	3 ft
ASD-LSB2-100D50B-PC-PRM	100 W	120-277 V	1-10 V	13,277 lm	5,000 K	Bronze	16 7/8" x 11 7/8" x 6 13/16"	Photocell	3 ft
ASD-LSB2-150D50B-PC-PRM	150 W	120-277 V	1-10 V	19,972 lm	5,000 K	Bronze	16 7/8" x 11 7/8" x 6 13/16"	Photocell	3 ft
ASD-LSB2-185D50B-PC-PRM	185 W	120-277 V	1-10 V	24,087 lm	5,000 K	Bronze	16 7/8" x 11 7/8" x 6 13/16"	Photocell	3 ft
ASD-LSB2-300D50B-PC-PRM	300 W	120-277 V	1-10 V	39,302 lm	5,000 K	Bronze	23 1/4" x 11 7/8" x 6 13/16"	Photocell	3 ft
ASD-LSB2HV-150D50B-PC-PRM	150 W	200-480 V	0-10 V	19,701 lm	5,000 K	Bronze	16 7/8" x 11 7/8" x 6 13/16"	Photocell	3 ft
ASD-LSB2HV-185D50B-PC-PRM	185 W	200-480 V	0-10 V	24,002 lm	5,000 K	Bronze	16 7/8" x 11 7/8" x 6 13/16"	Photocell	3 ft
ASD-LSB2HV-300D50B-PC-PRM	300 W	200-480 V	0-10 V	42,616 lm	5,000 K	Bronze	23 1/4" x 11 7/8" x 6 13/16"	Photocell	3 ft
ASD-LSB2-150D50B-PC-PRM-SF	150 W	120-277 V	1-10 V	19,972 lm	5,000 K	Bronze	25 3/16" x 11 7/8" x 6 13/16"	Photocell & Slip Fitter Bracket	3 ft
ASD-LSB2-300D50B-PC-PRM-SF	300 W	120-277 V	1-10 V	39,302 lm	5,000 K	Bronze	31 3/4" x 11 7/8" x 6 13/16"	Photocell & Slip Fitter Bracket	3 ft

For most up-to-date spec sheets please refer to asd-lighting.com



LED AREA LIGHT

Premium Series

PRODUCT SPECIFICATIONS:

Construction & Materials										
Lens	Polycarbonate (60/100/150/185W - 1 lens, 240/300W - 2 lens, 400/500W - 3 lens)									
Reflector	Die-Cast Aluminum									
Housing	Die-Cast Aluminum									
Finish	Bronze, White									
Weight	ASD-LSB2-60D50B-PRM	7.8 lb (3.6 kg)	ASD-LSB2-185D50B-PRM	8.4 lb (3.8 kg)	ASD-LSB2HV-100D50B-PRM	8.8 lb (4 kg)	ASD-LSB2-100D50B-PC-PRM	8.8 lb (4 kg)	ASD-LSB2-185D50B-PC-PRM	
	ASD-LSB2-60D50W-PRM		ASD-LSB2-185D50W-PRM		ASD-LSB2HV-150D50B-PRM		ASD-LSB2-150D50B-PC-PRM			
	ASD-LSB2-100D30B-PRM		ASD-LSB2-240D50B-PRM		ASD-LSB2HV-150D50W-PRM		ASD-LSB2-185D50B-PC-PRM			
	ASD-LSB2-100D40B-PRM	8.4 lb (3.8 kg)	ASD-LSB2-300D30B-PRM	15.1 lb (6.9 kg)	ASD-LSB2HV-185D50B-PRM	9.2 lb (4.2 kg)	ASD-LSB2-300D50B-PC-PRM	15.5 lb (7 kg)	ASD-LSB2-300D30B-PC-PRM	
	ASD-LSB2-100D50B-PRM		ASD-LSB2-300D40B-PRM		ASD-LSB2HV-185D50W-PRM		ASD-LSB2-150D50B-PC-PRM			
	ASD-LSB2-150D30B-PRM		ASD-LSB2-300D30B-PRM		ASD-LSB2HV-240D50B-PRM		ASD-LSB2HV-185D50B-PC-PRM			
	ASD-LSB2-150D40B-PRM		ASD-LSB2-300D50W-PRM		ASD-LSB2HV-300D50B-PRM		ASD-LSB2HV-300D50B-PC-PRM			
	ASD-LSB2-150D50B-PRM		ASD-LSB2-400D50B-PRM		ASD-LSB2HV-300D50W-PRM		ASD-LSB2-150D50B-PC-PRM-SF			
	ASD-LSB2-150D50W-PRM		ASD-LSB2-500D50B-PRM		ASD-LSB2HV-400D50B-PRM		ASD-LSB2-300D50B-PC-PRM-SF			
	ASD-LSB2-185D30B-PRM	ASD-LSB2-500D50W-PRM	ASD-LSB2HV-500D50B-PRM	ASD-LSB2-300D50B-PC-PRM-SF						
	Environmental System									
	Work Environment	Suitable for Wet Locations, IP66								
Operating Temperature	-40°F to 122°F (-40°C to 50°C)									
L-70 Life	R > 54,000 hrs; C > 163,000 hrs									
Optical System										
Luminous Flux	ASD-LSB2-60D50B-PRM	8,401 lm	ASD-LSB2-185D50B-PRM	24,087 lm	ASD-LSB2HV-100D50B-PRM	13,185 lm	ASD-LSB2-100D50B-PC-PRM	13,277 lm	ASD-LSB2-60D50W-PRM	
	ASD-LSB2-60D50W-PRM		ASD-LSB2-185D50W-PRM		ASD-LSB2HV-150D50B-PRM		ASD-LSB2-150D50B-PC-PRM			
	ASD-LSB2-100D30B-PRM	12,733 lm	ASD-LSB2-240D50B-PRM	31,290 lm	ASD-LSB2HV-150D50W-PRM	19,701 lm	ASD-LSB2-185D50B-PC-PRM	24,087 lm	ASD-LSB2-100D40B-PRM	
	ASD-LSB2-100D40B-PRM	13,006 lm	ASD-LSB2-300D30B-PRM	37,632 lm	ASD-LSB2HV-185D50B-PRM	24,002 lm	ASD-LSB2-300D50B-PC-PRM	39,302 lm	ASD-LSB2-100D50B-PRM	
	ASD-LSB2-100D50B-PRM	13,277 lm	ASD-LSB2-300D40B-PRM	38,837 lm	ASD-LSB2HV-185D50W-PRM	31,102 lm	ASD-LSB2HV-150D50B-PC-PRM	19,701 lm	ASD-LSB2-150D30B-PRM	
	ASD-LSB2-150D30B-PRM	18,960 lm	ASD-LSB2-300D30B-PRM	39,302 lm	ASD-LSB2HV-240D50B-PRM	42,616 lm	ASD-LSB2HV-185D50B-PC-PRM	24,002 lm	ASD-LSB2-150D40B-PRM	
	ASD-LSB2-150D40B-PRM	19,567 lm	ASD-LSB2-300D50W-PRM	52,913 lm	ASD-LSB2HV-300D50B-PRM	56,865 lm	ASD-LSB2HV-300D50B-PC-PRM	42,616 lm	ASD-LSB2-150D50B-PRM	
	ASD-LSB2-150D50B-PRM	19,972 lm	ASD-LSB2-400D50B-PRM	65,293 lm	ASD-LSB2HV-300D50W-PRM	69,582 lm	ASD-LSB2-150D50B-PC-PRM-SF	19,972 lm	ASD-LSB2-150D50W-PRM	
	ASD-LSB2-150D50W-PRM	23,126 lm	ASD-LSB2-500D50B-PRM		ASD-LSB2HV-400D50B-PRM		ASD-LSB2-300D50B-PC-PRM-SF	39,302 lm	ASD-LSB2-185D30B-PRM	
	ASD-LSB2-185D30B-PRM	23,126 lm	ASD-LSB2-500D50W-PRM		ASD-LSB2HV-500D50B-PRM					
Color Temperature	3,000 K, 4,000 K, 5,000 K									
CRI	> 80									
Electrical System										
Input Voltage	Regular Voltage: 120-277V AC				High Voltage: 200-480V AC					
Max input current	ASD-LSB2-60D50B-PRM	0.5 A	ASD-LSB2-185D50B-PRM	1.55 A	ASD-LSB2HV-100D50B-PRM	0.6 A	ASD-LSB2-100D50B-PC-PRM	1.2 A	ASD-LSB2-60D50W-PRM	
	ASD-LSB2-60D50W-PRM		ASD-LSB2-185D50W-PRM		ASD-LSB2HV-150D50B-PRM		ASD-LSB2-150D50B-PC-PRM			
	ASD-LSB2-100D30B-PRM	1.2 A	ASD-LSB2-240D50B-PRM	2.8 A	ASD-LSB2HV-150D50W-PRM	0.54 A	ASD-LSB2-185D50B-PC-PRM	2.4 A	ASD-LSB2-100D40B-PRM	
	ASD-LSB2-100D40B-PRM		ASD-LSB2-300D30B-PRM		ASD-LSB2HV-185D50B-PRM		ASD-LSB2-300D50B-PC-PRM			
	ASD-LSB2-100D50B-PRM		ASD-LSB2-300D40B-PRM		ASD-LSB2HV-185D50W-PRM		ASD-LSB2HV-150D50B-PC-PRM			
	ASD-LSB2-150D30B-PRM	1.8 A	ASD-LSB2-300D30B-PRM	2.5 A	ASD-LSB2HV-240D50B-PRM	1.44 A	ASD-LSB2HV-185D50B-PC-PRM	1.1 A	ASD-LSB2-150D30B-PRM	
	ASD-LSB2-150D40B-PRM		ASD-LSB2-300D50W-PRM		ASD-LSB2HV-300D50B-PRM		ASD-LSB2HV-300D50B-PC-PRM			
	ASD-LSB2-150D50B-PRM	1.25 A	ASD-LSB2-400D50B-PRM	4.0 A	ASD-LSB2HV-300D50W-PRM	1.08 A	ASD-LSB2HV-300D50B-PC-PRM	1.8 A	ASD-LSB2-150D40B-PRM	
	ASD-LSB2-150D50W-PRM		ASD-LSB2-500D50B-PRM		ASD-LSB2HV-400D50B-PRM		ASD-LSB2-150D50B-PC-PRM-SF			
	ASD-LSB2-185D30B-PRM		ASD-LSB2-500D50W-PRM		ASD-LSB2HV-500D50B-PRM		ASD-LSB2-300D50B-PC-PRM-SF			
Inrush current (Action time)	ASD-LSB2-60D50B-PRM	60 A (0.5 S)	ASD-LSB2-185D50B-PRM	125 A (0.2 S)	ASD-LSB2HV-100D50B-PRM	25 A (0.9 S)	ASD-LSB2-100D50B-PC-PRM	160 A (0.2 S)	ASD-LSB2-60D50W-PRM	
	ASD-LSB2-60D50W-PRM		ASD-LSB2-185D50W-PRM		ASD-LSB2HV-150D50B-PRM		ASD-LSB2-150D50B-PC-PRM			
	ASD-LSB2-100D30B-PRM	160 A (0.2 S)	ASD-LSB2-240D50B-PRM	35 A (0.2 S)	ASD-LSB2HV-150D50W-PRM	35 A (0.79 S)	ASD-LSB2-185D50B-PC-PRM	125 A (0.2 S)	ASD-LSB2-100D40B-PRM	
	ASD-LSB2-100D40B-PRM		ASD-LSB2-300D30B-PRM		ASD-LSB2HV-185D50B-PRM		ASD-LSB2-300D50B-PC-PRM			
	ASD-LSB2-100D50B-PRM		ASD-LSB2-300D40B-PRM		ASD-LSB2HV-185D50W-PRM		ASD-LSB2HV-150D50B-PC-PRM			
	ASD-LSB2-150D30B-PRM	125 A (0.2 S)	ASD-LSB2-300D30B-PRM	149 A (0.22 S)	ASD-LSB2HV-240D50B-PRM	50 A (0.53 S)	ASD-LSB2HV-185D50B-PC-PRM	35 A (0.79 S)	ASD-LSB2-150D30B-PRM	
	ASD-LSB2-150D40B-PRM		ASD-LSB2-300D50W-PRM		ASD-LSB2HV-300D50B-PRM		ASD-LSB2HV-300D50B-PC-PRM			
	ASD-LSB2-150D50B-PRM		ASD-LSB2-400D50B-PRM		ASD-LSB2HV-300D50W-PRM		ASD-LSB2-150D50B-PC-PRM-SF			
	ASD-LSB2-150D50W-PRM	125 A (0.2 S)	ASD-LSB2-500D50B-PRM	120 A (0.56 S)	ASD-LSB2HV-400D50B-PRM	50 A (0.85 S)	ASD-LSB2-150D50B-PC-PRM-SF	125 A (0.2 S)	ASD-LSB2-185D30B-PRM	
	ASD-LSB2-185D30B-PRM		ASD-LSB2-500D50W-PRM		ASD-LSB2HV-500D50B-PRM		ASD-LSB2-300D50B-PC-PRM-SF			
AC input range	Regular Voltage: min 90 V max 305 V				High Voltage: min 180 V max 528 V					
Off State Power	0 W									
Power Consumption	ASD-LSB2-60D50B-PRM	60 W	ASD-LSB2-185D50B-PRM	185 W	ASD-LSB2HV-100D50B-PRM	100 W	ASD-LSB2-100D50B-PC-PRM	100 W	ASD-LSB2-60D50W-PRM	
	ASD-LSB2-60D50W-PRM	60 W	ASD-LSB2-185D50W-PRM	185 W	ASD-LSB2HV-150D50B-PRM	150 W	ASD-LSB2-150D50B-PC-PRM	150 W	ASD-LSB2-100D30B-PRM	
	ASD-LSB2-100D30B-PRM	100 W	ASD-LSB2-240D50B-PRM	240 W	ASD-LSB2HV-150D50W-PRM	150 W	ASD-LSB2-185D50B-PC-PRM	185 W	ASD-LSB2-100D40B-PRM	
	ASD-LSB2-100D40B-PRM	100 W	ASD-LSB2-300D30B-PRM	300 W	ASD-LSB2HV-185D50B-PRM	185 W	ASD-LSB2-300D50B-PC-PRM	300 W	ASD-LSB2-100D50B-PRM	
	ASD-LSB2-100D50B-PRM	100 W	ASD-LSB2-300D40B-PRM	300 W	ASD-LSB2HV-185D50W-PRM	185 W	ASD-LSB2HV-150D50B-PC-PRM	150 W	ASD-LSB2-150D30B-PRM	
	ASD-LSB2-150D30B-PRM	150 W	ASD-LSB2-300D30B-PRM	300 W	ASD-LSB2HV-240D50B-PRM	240 W	ASD-LSB2HV-185D50B-PC-PRM	185 W	ASD-LSB2-150D40B-PRM	
	ASD-LSB2-150D40B-PRM	150 W	ASD-LSB2-300D50W-PRM	300 W	ASD-LSB2HV-300D50B-PRM	300 W	ASD-LSB2HV-300D50B-PC-PRM	300 W	ASD-LSB2-150D50B-PRM	
	ASD-LSB2-150D50B-PRM	150 W	ASD-LSB2-400D50B-PRM	400 W	ASD-LSB2HV-300D50W-PRM	300 W	ASD-LSB2-150D50B-PC-PRM-SF	150 W	ASD-LSB2-150D50W-PRM	
	ASD-LSB2-150D50W-PRM	150 W	ASD-LSB2-500D50B-PRM	500 W	ASD-LSB2HV-400D50B-PRM	400 W	ASD-LSB2-300D50B-PC-PRM-SF	300 W	ASD-LSB2-185D30B-PRM	
	ASD-LSB2-185D30B-PRM	185 W	ASD-LSB2-500D50W-PRM	500 W	ASD-LSB2HV-500D50B-PRM	500 W				
Power Factor	> 0.9									
Output voltage	ASD-LSB2-60D50B-PRM	32-58 V	ASD-LSB2-185D50B-PRM	36-56 V	ASD-LSB2HV-100D50B-PRM	48 V	ASD-LSB2-100D50B-PC-PRM	48 V	ASD-LSB2-60D50W-PRM	
	ASD-LSB2-60D50W-PRM		ASD-LSB2-185D50W-PRM		ASD-LSB2HV-150D50B-PRM		ASD-LSB2-150D50B-PC-PRM			
	ASD-LSB2-100D30B-PRM	42-56 V	ASD-LSB2-240D50B-PRM	18-54 V	ASD-LSB2HV-150D50W-PRM	48 V	ASD-LSB2-185D50B-PC-PRM	48 V	ASD-LSB2-100D40B-PRM	
	ASD-LSB2-100D40B-PRM		ASD-LSB2-300D30B-PRM		ASD-LSB2HV-185D50B-PRM		ASD-LSB2-300D50B-PC-PRM			
	ASD-LSB2-100D50B-PRM		ASD-LSB2-300D40B-PRM		ASD-LSB2HV-185D50W-PRM		ASD-LSB2HV-150D50B-PC-PRM			
	ASD-LSB2-150D30B-PRM	36-56 V	ASD-LSB2-300D30B-PRM	24-64 V	ASD-LSB2HV-240D50B-PRM	48 V	ASD-LSB2HV-185D50B-PC-PRM	48 V	ASD-LSB2-150D30B-PRM	
	ASD-LSB2-150D40B-PRM		ASD-LSB2-300D50W-PRM		ASD-LSB2HV-300D50B-PRM		ASD-LSB2HV-300D50B-PC-PRM			
	ASD-LSB2-150D50B-PRM	36-56 V	ASD-LSB2-400D50B-PRM	24-64 V	ASD-LSB2HV-300D50W-PRM	48 V	ASD-LSB2-150D50B-PC-PRM-SF	48 V	ASD-LSB2-150D40B-PRM	
	ASD-LSB2-150D50W-PRM		ASD-LSB2-500D50B-PRM		ASD-LSB2HV-400D50B-PRM		ASD-LSB2-150D50B-PC-PRM-SF			
	ASD-LSB2-185D30B-PRM		ASD-LSB2-500D50W-PRM		ASD-LSB2HV-500D50B-PRM		ASD-LSB2-300D50B-PC-PRM-SF			







For most up-to-date spec sheets please refer to asd-lighting.com



LED AREA LIGHT

Premium Series

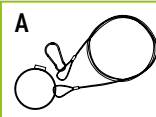
Electrical System										
Max output current	ASD-LSB2-60D50B-PRM	1.3 A	ASD-LSB2-185D50B-PRM	3.6 A	ASD-LSB2HV-100D50B-PRM	2 A	ASD-LSB2-100D50B-PC-PRM	1.72 A	ASD-LSB2-185D50B-PC-PRM	3.6 A
	ASD-LSB2-60D50W-PRM		ASD-LSB2-185D50W-PRM		ASD-LSB2HV-150D50B-PRM		ASD-LSB2-150D50B-PC-PRM		ASD-LSB2-185D50B-PC-PRM	
	ASD-LSB2-100D30B-PRM		ASD-LSB2-240D50B-PRM		ASD-LSB2HV-150D50W-PRM		ASD-LSB2-185D50B-PC-PRM		ASD-LSB2-185D50B-PC-PRM	
	ASD-LSB2-100D40B-PRM	1.72 A	ASD-LSB2-300D30B-PRM	6.3 A	ASD-LSB2HV-185D50B-PRM	5 A	ASD-LSB2-300D50B-PC-PRM	6.3 A	ASD-LSB2-300D50B-PC-PRM	6.3 A
	ASD-LSB2-100D50B-PRM		ASD-LSB2-300D40B-PRM		ASD-LSB2HV-185D50W-PRM		ASD-LSB2HV-150D50B-PC-PRM		ASD-LSB2HV-150D50B-PC-PRM	
	ASD-LSB2-150D30B-PRM		ASD-LSB2-300D30B-PRM		ASD-LSB2HV-240D50B-PRM		ASD-LSB2HV-185D50B-PC-PRM		ASD-LSB2HV-185D50B-PC-PRM	
	ASD-LSB2-150D40B-PRM	2.7 A	ASD-LSB2-300D50W-PRM	8.4 A	ASD-LSB2HV-300D50B-PRM	6.7 A	ASD-LSB2HV-300D50B-PC-PRM	6.7 A	ASD-LSB2HV-300D50B-PC-PRM	6.7 A
	ASD-LSB2-150D50B-PRM		ASD-LSB2-400D50B-PRM		ASD-LSB2HV-300D50W-PRM		ASD-LSB2-150D50B-PC-PRM-SF		ASD-LSB2-150D50B-PC-PRM-SF	
	ASD-LSB2-150D50W-PRM		ASD-LSB2-500D50B-PRM		ASD-LSB2HV-400D50B-PRM		ASD-LSB2-300D50B-PC-PRM-SF		ASD-LSB2-300D50B-PC-PRM-SF	
	ASD-LSB2-185D30B-PRM	3.6 A	ASD-LSB2-500D50W-PRM	10 A	ASD-LSB2HV-500D50B-PRM	10 A	ASD-LSB2HV-500D50B-PRM	10 A	ASD-LSB2-100D50B-PC-PRM	Class P, 2
	ASD-LSB2-60D50B-PRM		ASD-LSB2-185D50B-PRM		ASD-LSB2HV-100D50B-PRM		ASD-LSB2-100D50B-PC-PRM		ASD-LSB2-150D50B-PC-PRM	
	ASD-LSB2-100D30B-PRM		ASD-LSB2-185D50W-PRM		ASD-LSB2HV-150D50B-PRM		ASD-LSB2-150D50B-PC-PRM		ASD-LSB2-185D50B-PC-PRM	
ASD-LSB2-100D40B-PRM	Class 2	ASD-LSB2-240D50B-PRM	Class P	ASD-LSB2HV-185D50B-PRM	Class 2	ASD-LSB2HV-185D50B-PRM	Class 2	ASD-LSB2-300D50B-PC-PRM	Class 1	
ASD-LSB2-100D50B-PRM		ASD-LSB2-300D40B-PRM		ASD-LSB2HV-150D50W-PRM		ASD-LSB2HV-150D50B-PC-PRM		ASD-LSB2-185D50B-PC-PRM		
ASD-LSB2-150D30B-PRM		ASD-LSB2-300D30B-PRM		ASD-LSB2HV-185D50W-PRM		ASD-LSB2HV-185D50B-PC-PRM		ASD-LSB2-300D50B-PC-PRM		
ASD-LSB2-150D40B-PRM	Class P	ASD-LSB2-300D30B-PRM	Class 1	ASD-LSB2HV-240D50B-PRM	Class 1	ASD-LSB2HV-240D50B-PRM	Class 1	ASD-LSB2HV-185D50B-PC-PRM	Class 1	
ASD-LSB2-150D50B-PRM		ASD-LSB2-300D50W-PRM		ASD-LSB2HV-300D50B-PRM		ASD-LSB2HV-300D50B-PC-PRM		ASD-LSB2HV-300D50B-PC-PRM		
ASD-LSB2-150D50W-PRM		ASD-LSB2-400D50B-PRM		ASD-LSB2HV-300D50W-PRM		ASD-LSB2HV-300D50B-PC-PRM-SF		ASD-LSB2HV-300D50B-PC-PRM-SF		
ASD-LSB2-185D30B-PRM	Class P	ASD-LSB2-500D50B-PRM	Class 1	ASD-LSB2HV-400D50B-PRM	Class 1	ASD-LSB2HV-400D50B-PRM	Class 1	ASD-LSB2-150D50B-PC-PRM-SF	Class P, 2	
ASD-LSB2-60D50B-PRM		ASD-LSB2-185D50B-PRM		ASD-LSB2HV-500D50B-PRM		ASD-LSB2-300D50B-PC-PRM-SF		ASD-LSB2-300D50B-PC-PRM-SF		
ASD-LSB2-100D30B-PRM		ASD-LSB2-185D50W-PRM		ASD-LSB2HV-500D50B-PRM		ASD-LSB2-300D50B-PC-PRM-SF		ASD-LSB2-300D50B-PC-PRM-SF		

Photocell technical data			Effective Projected Area (EPA) Ratings						
Photocells model	JL-205C	JL-207F	Fixtures qty						
Rated Voltage	120-277V AC	200-480V AC		Single	Double 180°	Double 90°	Triple 90°	Triple 120°	Quad 90°
Rated Frequency	50/60Hz			0.23	0.46	0.4	0.63	0.73	0.73
Power Consumption	1.5 VA (W)	0.5 VA (W)		0.42	0.84	0.72	1.14	1.54	1.54
Typical On/Off Level	6 lux ON / 50 lux OFF	16 lux ON / 24 lux OFF	EPA of 60/100/150/185W	0.58	1.16	1	1.58	2.13	2.13
Ambient Temp.	-40°C ~ +70°C		EPA of 240/300W						
Related Humidity	99% / 100% (IP67)		EPA of 400/500W						

Dimming range				Warranty & Certifications				
0-100%				5-year limited warranty				
Dimming compatible controls				DesignLights Consortium (DLC) listed (Classification: Premium)				
Brand	Lutron	Leviton	<ul style="list-style-type: none"> Main: Outdoor Luminaires General Application: High/Very high output *Very high output for models Up to 240W Primary Use: Outdoor Pole/Arm-Mounted Area and Roadway Luminaires 					
Models	DVTV	DVSTV						
	NTSTV	MS-Z101	ZS057-DOZ	IP710	cULus certified E473804			
			DS710	DD710				

PACKAGE CONTENTS:

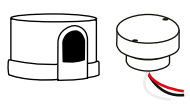
Description	Q-ty
LED Area Light Fixture (or LED Area Light with Photocell)	1
Safety cable (A) for 400W/500W models only	1
Box	1
Cut sheet	2



ACCESSORIES:

Photocell Kit

ASD-PC-LSB / ASD-PC-LSBHV

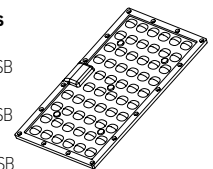


Clear Lens

type II-M
ASD-L2M-LSB

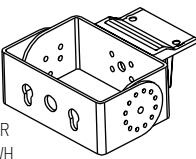
type IV-M
ASD-L4M-LSB

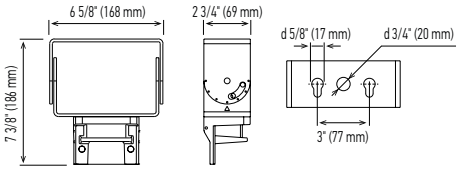
type V-M
ASD-L5M-LSB



Wall Mount Bracket

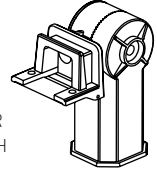
ASD-TRB-LSB2-BR
ASD-TRB-LSB2-WH

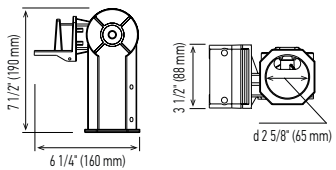




Slip Fitter Bracket

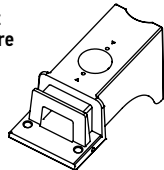
ASD-SFB-LSB2-BR
ASD-SFB-LSB2-WH

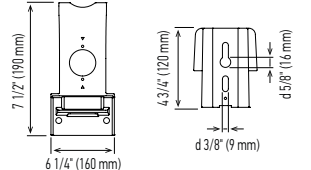




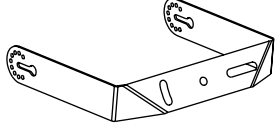
Arm Mount Bracket for round and square poles

ASD-AMB-LSB2-BR
ASD-AMB-LSB2-WH

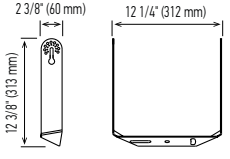




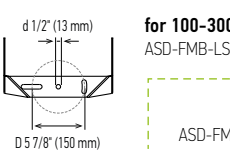
Floodlight Mounting Bracket



for 100-300W
ASD-FMB-LSB2-100/300BR



for 400-500W
ASD-FMB-LSB2-400/500BR



For most up-to-date spec sheets please refer to asd-lighting.com



LED AREA LIGHT

Premium Series

INSTALLATION GUIDE

IMPORTANT SAFETY INFORMATION:

Please read all the instructions below before installation.

- ▶ Make sure that the supply voltage corresponds to the rated product voltage.
- ▶ The product must be installed by a qualified electrician in accordance with the National Electrical Code and corresponding local codes.
- ▶ If the product is damaged, do not use it.

⚠ WARNING

RISK OF PERSONAL INJURY – READ and follow all WARNINGS and installation instructions.

Keep or give to the owner for future reference.

Risk of cuts: Wear gloves to prevent cuts or abrasions when removing from carton, handling, installing, and maintaining this product.

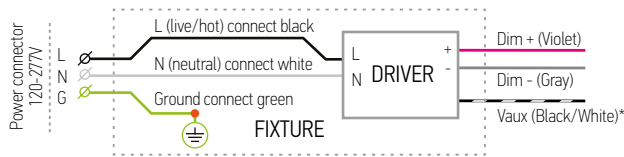
Risk of electric shock: This product must be installed in accordance with the applicable installation code by a person familiar with the construction and operation of the product and the hazards involved.

Risk of Fire: Minimum 194°F supply conductors. Consult a qualified electrician to ensure correct branch circuit conductor.

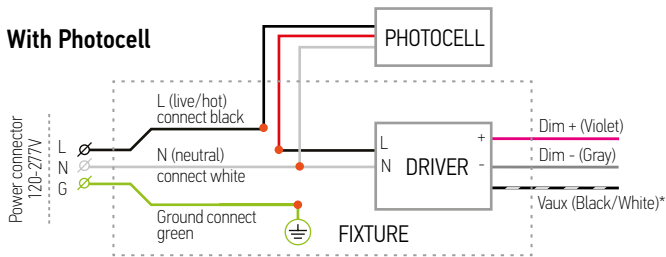
ASD® assumes no responsibility for claims arising out of improper or careless installation or handling of this product.

ELECTRICAL SCHEMATIC DIAGRAM

REGULAR VOLTAGE



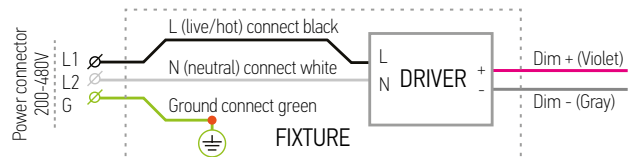
With Photocell



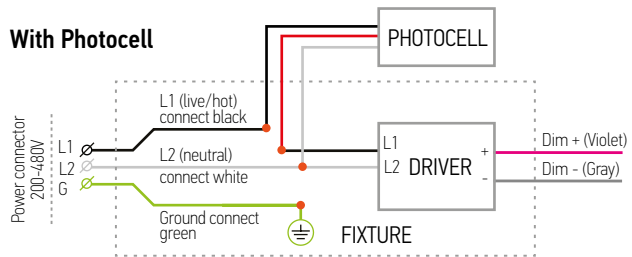
*Vaux cable available only for 300W/400W/500W Regular voltage.

The Vaux (Black/White) 12V output wire is normally vacant. It provides 12V output for external module to achieve smart control or sensor (optional).

HIGH VOLTAGE



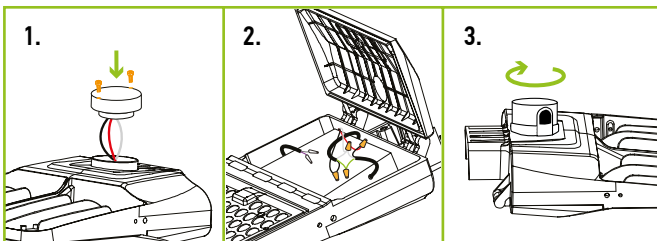
With Photocell



PHOTOCELL INSTALLATION STEPS

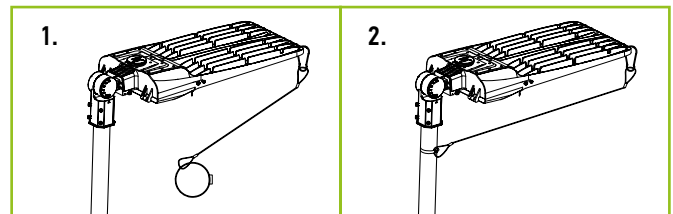
ASD-PC-LSB/ ASD-PC-LSBHV sold separately

1. Power off before installation. Use a screwdriver to take off the circular plate (2 screws). Screw the photocell base on the top of the fixture, pull the wires through the driver box.
2. Use a screwdriver to open the driver box (2 screws). Connect the wires in accordance to the Photocell Wiring Schematic
3. Firmly place the photocell into the receptacle base and twist it clockwise until it locks into place.



SAFETY CABLE INSTALLATION STEPS:

1. Attach one end of the included safety cable through the hole between the fins on the luminaire.
2. Ensure the safety cable is secured on the fixture. Secure the other end of the safety cable to the mounting structure/pole.



Safety cable for 400W/500W models only

For most up-to-date spec sheets please refer to asd-lighting.com

ASD LIGHTING CORP

E-mail: orders@asd-lighting.com | Web site: www.asd-lighting.com





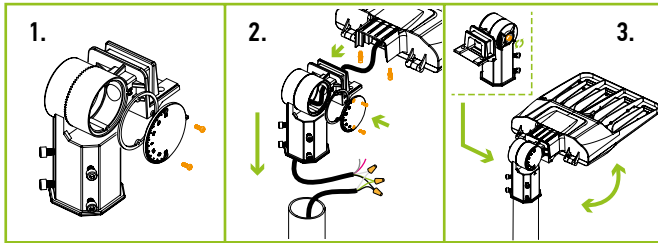
LED AREA LIGHT

Premium Series

BRACKET INSTALLATION STEPS

SLIP FITTER BRACKET ASD-SFB-LSB2 sold separately

1. Remove the circular plate from the slip fitter (2 screws).
2. Thread the wire through the slip fitter into the pole. Make AC connections in accordance to wiring diagram.
3. If necessary adjust the fixture angle with the large hex bolt on the side of the slip fitter.

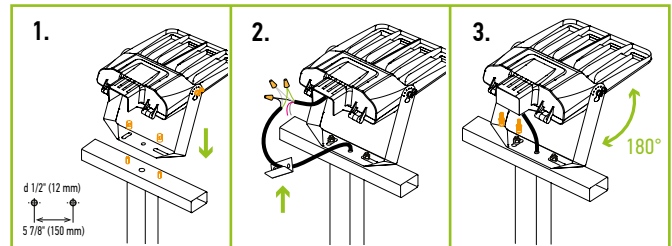


The wiring is inside the pole, the side is sealed with a rubber ring and fixed with screws, preventing water from getting inside the fixture.

FLOODLIGHT MOUNTING BRACKET ASD-FMB-LSB2 sold separately

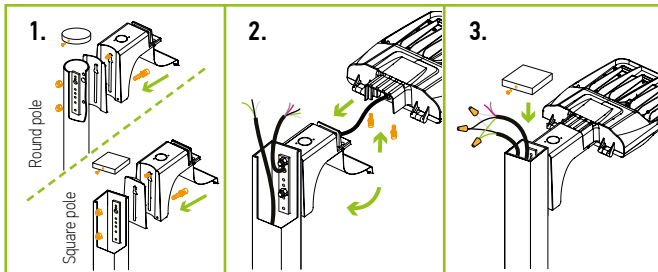
Pole mounting installation

1. Drill holes on the mounting surface corresponding to the holes in the arm. Attach fixture to bracket with 2 screws and bracket to surface with 2 screws.
2. Wire in accordance to the wiring schematic.
3. Seal the connections with the back plate of the fixture. Adjust fixture angle as needed.



ARM MOUNTING BRACKET ASD-ABM-LSB2 sold separately

1. Open up the door on the arm bracket (1 screw). Install the mounting arm onto the pole (2 bolts). Make sure the silicone gaskets form a tight seal.
2. Thread the cord from the fixture through the bracket into the pole and tighten the two M8 screws on the body of the light.
3. Pass the AC wire through the base and tighten the two screws on the body of the light.



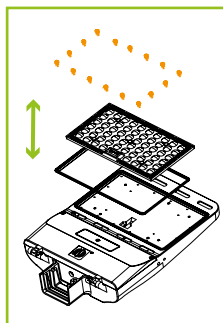
WALL MOUNT BRACKET ASD-TRB-LSB2 sold separately

1. Drill holes on the mounting surface, size corresponding to the holes on the arm. Fix the bracket on the wall with screws. Pull wires through mount, secure fixture to the bracket.
2. Wire the AC power into the water tight junction box as shown in the wiring schematic diagram. Adjust the screw position to get desired angle when necessary.



LENS INSTALLATION STEPS

1. Unscrew the 16 screws of the original lens (T3-M) on the housing.
2. Install the rubber ring on new lens (T4/T5-M, sold separately).
3. Place the lens on the housing and make sure it fits the LEDs correctly.
4. Tighten the 16 screws back.



Lens	
60W, 100W, 150W, 185W	1 lens
240W, 300W	2 lens
400W, 500W	3 lens

For most up-to-date spec sheets please refer to asd-lighting.com

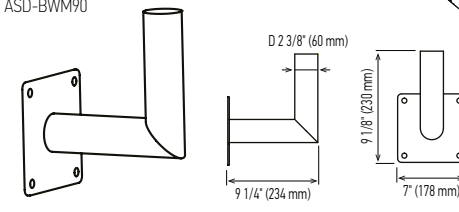
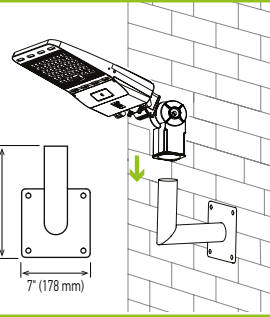


LED AREA LIGHT

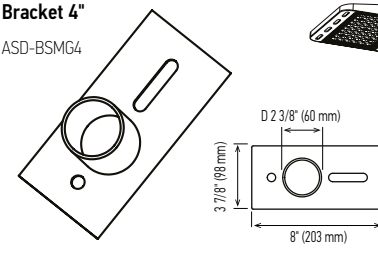
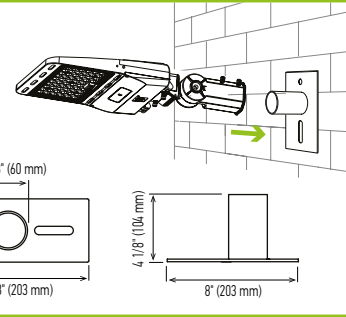
Premium Series

SLIP FITTER BRACKET ADAPTORS FOR POLE MOUNT INSTALLATION:

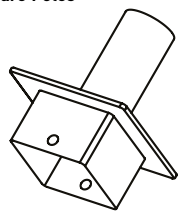
Wall mount 90° angle Bracket
8 1/2"x8" pole 2 3/8"
ASD-BWM90

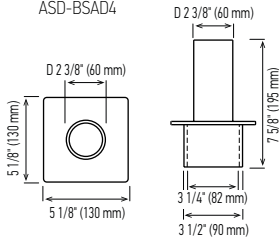
Ground surface Bracket 4"
ASD-BSMG4

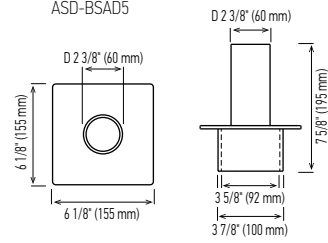
Tenon Adaptor 2-3/8" For Square Poles

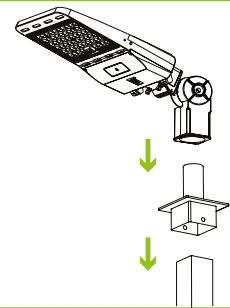


for 4" Square Poles
ASD-BSAD4

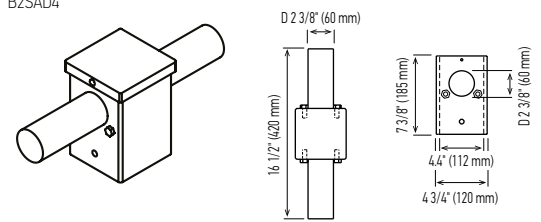



for 5" Square Poles
ASD-BSAD5



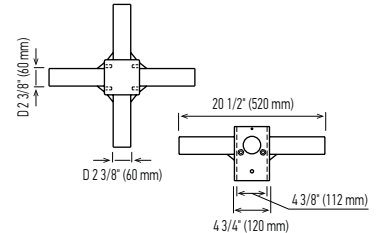


Square to Round Pole- 2 Head 2-3/8" For 4" Square Pole
B2SAD4





Square to Round Pole- 4 Head 2-3/8" For 4" Square Pole
B4SAD4



For most up-to-date spec sheets please refer to asd-lighting.com



LED AREA LIGHT

Premium Series

ORDERING INFORMATION

LED AREA LIGHT:

Model	Watts	Voltage	CCT	Finish	Pcs. per Carton	Carton Size	Carton Weight	UPC
ASD-LSB2-60D50B-PRM	60 W	120-277 V	5,000 K	Bronze	1	18" x 13.4" x 6.5"	9.7 lb	819201026920
ASD-LSB2-60D50W-PRM	60 W	120-277 V	5,000 K	White	1	18" x 13.4" x 6.5"	9.7 lb	810050732710
ASD-LSB2-100D30B-PRM	100 W	120-277 V	3,000 K	Bronze	1	18" x 13.4" x 6.5"	10.3 lb	810050730181
ASD-LSB2-100D40B-PRM	100 W	120-277 V	4,000 K	Bronze	1	18" x 13.4" x 6.5"	10.3 lb	810050733342
ASD-LSB2-100D50B-PRM	100 W	120-277 V	5,000 K	Bronze	1	18" x 13.4" x 6.5"	10.3 lb	819201026449
ASD-LSB2-150D30B-PRM	150 W	120-277 V	3,000 K	Bronze	1	18" x 13.4" x 6.5"	10.3 lb	810050730198
ASD-LSB2-150D40B-PRM	150 W	120-277 V	4,000 K	Bronze	1	18" x 13.4" x 6.5"	10.3 lb	810050733359
ASD-LSB2-150D50B-PRM	150 W	120-277 V	5,000 K	Bronze	1	18" x 13.4" x 6.5"	10.3 lb	819201026456
ASD-LSB2-150D50W-PRM	150 W	120-277 V	5,000 K	White	1	18" x 13.4" x 6.5"	10.3 lb	810050732727
ASD-LSB2-185D30B-PRM	185 W	120-277 V	3,000 K	Bronze	1	18" x 13.4" x 6.5"	10.3 lb	810050730204
ASD-LSB2-185D50B-PRM	185 W	120-277 V	5,000 K	Bronze	1	18" x 13.4" x 6.5"	10.3 lb	819201026463
ASD-LSB2-185D50W-PRM	185 W	120-277 V	5,000 K	White	1	18" x 13.4" x 6.5"	10.3 lb	810050732734
ASD-LSB2-240D50B-PRM	240 W	120-277 V	5,000 K	Bronze	1	24.5" x 13.4" x 6.5"	17.2 lb	819201026470
ASD-LSB2-300D30B-PRM	300 W	120-277 V	3,000 K	Bronze	1	24.5" x 13.4" x 6.5"	17.2 lb	810050730211
ASD-LSB2-300D40B-PRM	300 W	120-277 V	4,000 K	Bronze	1	24.5" x 13.4" x 6.5"	17.2 lb	810050733366
ASD-LSB2-300D50B-PRM	300 W	120-277 V	5,000 K	Bronze	1	24.5" x 13.4" x 6.5"	17.2 lb	819201026487
ASD-LSB2-300D50W-PRM	300 W	120-277 V	5,000 K	White	1	24.5" x 13.4" x 6.5"	17.2 lb	810050732741
ASD-LSB2-400D50B-PRM	400 W	120-277 V	5,000 K	Bronze	1	31.6" x 15.6" x 7.1"	26.7 lb	819201026494
ASD-LSB2-500D50B-PRM	500 W	120-277 V	5,000 K	Bronze	1	31.6" x 15.6" x 7.1"	26.7 lb	819201026517
ASD-LSB2-500D50W-PRM	500 W	120-277 V	5,000 K	White	1	31.6" x 15.6" x 7.1"	26.7 lb	810050732758
ASD-LSB2HV-100D50B-PRM	100 W	200-480 V	5,000 K	Bronze	1	18" x 13.4" x 6.5"	10.7 lb	810050730358
ASD-LSB2HV-150D50B-PRM	150 W	200-480 V	5,000 K	Bronze	1	18" x 13.4" x 6.5"	11.1 lb	819201027392
ASD-LSB2HV-150D50W-PRM	150 W	200-480 V	5,000 K	White	1	18" x 13.4" x 6.5"	11.1 lb	810050732765
ASD-LSB2HV-185D50B-PRM	185 W	200-480 V	5,000 K	Bronze	1	18" x 13.4" x 6.5"	11.1 lb	819201027408
ASD-LSB2HV-185D50W-PRM	185 W	200-480 V	5,000 K	White	1	18" x 13.4" x 6.5"	11.1 lb	810050732772
ASD-LSB2HV-240D50B-PRM	240 W	200-480 V	5,000 K	Bronze	1	24.5" x 13.4" x 6.5"	17.2 lb	810050730228
ASD-LSB2HV-300D50B-PRM	300 W	200-480 V	5,000 K	Bronze	1	24.5" x 13.4" x 6.5"	18.6 lb	819201026821
ASD-LSB2HV-300D50W-PRM	300 W	200-480 V	5,000 K	White	1	24.5" x 13.4" x 6.5"	18.6 lb	810050732789
ASD-LSB2HV-400D50B-PRM	400 W	200-480 V	5,000 K	Bronze	1	31.6" x 15.6" x 7.1"	26.7 lb	819201026838
ASD-LSB2HV-500D50B-PRM	500 W	200-480 V	5,000 K	Bronze	1	31.6" x 15.6" x 7.1"	26.7 lb	819201026845
ASD-LSB2-100D50B-PC-PRM	100 W	120-277 V	5,000 K	Bronze	1	18" x 13.4" x 6.5"	10.7 lb	819201027415
ASD-LSB2-150D50B-PC-PRM	150 W	120-277 V	5,000 K	Bronze	1	18" x 13.4" x 6.5"	10.7 lb	819201027422
ASD-LSB2-185D50B-PC-PRM	185 W	120-277 V	5,000 K	Bronze	1	18" x 13.4" x 6.5"	10.7 lb	819201027439
ASD-LSB2-300D50B-PC-PRM	300 W	120-277 V	5,000 K	Bronze	1	24.5" x 13.4" x 6.5"	17.6 lb	819201027446
ASD-LSB2HV-150D50B-PC-PRM	150 W	200-480 V	5,000 K	Bronze	1	18" x 13.4" x 6.5"	11.3 lb	819201027453
ASD-LSB2HV-185D50B-PC-PRM	185 W	200-480 V	5,000 K	Bronze	1	18" x 13.4" x 6.5"	11.4 lb	819201027460
ASD-LSB2HV-300D50B-PC-PRM	300 W	200-480 V	5,000 K	Bronze	1	24.5" x 13.4" x 6.5"	18.8 lb	819201027477
ASD-LSB2-150D50B-PC-PRM-SF	150 W	120-277 V	5,000 K	Bronze	1	18" x 13.4" x 6.5"	14.1 lb	810050733434
ASD-LSB2-300D50B-PC-PRM-SF	300 W	120-277 V	5,000 K	Bronze	1	24.5" x 13.4" x 6.5"	21.2 lb	810050733441

For most up-to-date spec sheets please refer to asd-lighting.com

ASD LIGHTING CORP

E-mail: orders@asd-lighting.com | Web site: www.asd-lighting.com





LED AREA LIGHT

Premium Series

ACCESSORIES FOR LED AREA LIGHT:

Model	Name	Finish	Materials	Weight	Dimensions
ASD-SFB-LSB2-BR	Slip fitter Mounting Bracket	Bronze	Die-Cast Aluminum	3 lb	7 1/2" x 6 1/4" x 3 1/2"
ASD-SFB-LSB2-WH	Slip fitter Mounting Bracket	White	Die-Cast Aluminum	3 lb	7 1/2" x 6 1/4" x 3 1/2"
ASD-AMB-LSB2-BR	Arm Mounting Bracket	Bronze	Die-Cast Aluminum	1.9 lb	7 7/8" x 3 3/4" x 4 3/4"
ASD-AMB-LSB2-WH	Arm Mounting Bracket	White	Die-Cast Aluminum	1.9 lb	7 7/8" x 3 3/4" x 4 3/4"
ASD-TRB-LSB2-BR	Wall Mount Bracket (Full Trunnion Mounting Bracket)	Bronze	Steel	3.6 lb	7 3/8" x 6 5/8" x 2 3/4"
ASD-TRB-LSB2-WH	Wall Mount Bracket (Full Trunnion Mounting Bracket)	White	Steel	3.6 lb	7 3/8" x 6 5/8" x 2 3/4"
ASD-FMB-LSB2-100/300BR	Floodlight Mounting Bracket for 100-300W LED Area Lights	Bronze	SPCC	2.5 lb	12 3/8" x 12 1/4" x 2 3/8"
ASD-FMB-LSB2-400/500BR	Floodlight Mounting Bracket for 400-500W LED Area Lights	Bronze	SPCC	4.3 lb	12 1/2" x 13 3/8" x 2 3/4"
ASD-PC-LSB	Photocell & Base Kit for LED Area Lights	Blue	PC	0.4 lb	3 3/8" x 3 3/8" x 2 5/8"
ASD-PC-LSBHV	Photocell & Base Kit for High Voltage LED Area Lights	Blue	PC	0.4 lb	3 3/8" x 3 3/8" x 2 5/8"
ASD-L2M-LSB	Clear Lens Type II-M for LED Area Lights LSB	Clear	PC	0.5 lb	11" x 6" x 1/4"
ASD-L4M-LSB	Clear Lens Type IV-M for LED Area Lights LSB	Clear	PC	0.5 lb	11" x 6" x 1/4"
ASD-L5M-LSB	Clear Lens Type V-M for LED Area Lights LSB	Clear	PC	0.5 lb	11" x 6" x 1/4"
JL-205C	Photocell for LED Area Lights	Blue	PC	0.4 lb	3 3/8" x 3 3/8" x 2 5/8"
JL-207F	Photocell for High Voltage LED Area Lights	Blue	PC	0.4 lb	3 3/8" x 3 3/8" x 2 5/8"

Model	UPC	Pcs. per Carton	Carton Size	Carton Weight	GTIN 14
ASD-SFB-LSB2-BR	819201026524	10	18.9" x 9.1" x 11.8"	31.7 lb	10819201026521
ASD-SFB-LSB2-WH	810050732796	10	18.9" x 9.1" x 11.8"	31.7 lb	10810050732793
ASD-AMB-LSB2-BR	819201026548	20	20.3" x 17.7" x 10.4"	40.8 lb	10819201026545
ASD-AMB-LSB2-WH	810050732802	20	20.3" x 17.7" x 10.4"	40.8 lb	10810050732809
ASD-TRB-LSB2-BR	819201026555	10	16.1" x 15.7" x 8.7"	37.5 lb	10819201026552
ASD-TRB-LSB2-WH	810050732819	10	16.1" x 15.7" x 8.7"	37.5 lb	10810050732816
ASD-FMB-LSB2-100/300BR	819201026579	10	28.1" x 14.2" x 13.8"	27 lb	10819201026576
ASD-FMB-LSB2-400/500BR	819201026586	5	15.4" x 14.8" x 14.2"	24.3 lb	10819201026583
ASD-PC-LSB	819201023622	24	23.2" x 15.7" x 6.3"	13.1 lb	10819201023629
ASD-PC-LSBHV	819201023646	24	23.2" x 15.8" x 6.3"	13.1 lb	10819201023643
ASD-L2M-LSB	810050731508	50	23.2" x 15.8" x 6.3"	28.7 lb	10810050731505
ASD-L4M-LSB	819201023844	50	23.2" x 15.7" x 6.3"	28.7 lb	10819201023841
ASD-L5M-LSB	819201023851	50	23.2" x 15.7" x 6.3"	28.7 lb	10819201023858
JL-205C	819201021291	48	23.2" x 15.8" x 6.3"	23.8 lb	10819201021298
JL-207F	819201022144	48	23.2" x 15.8" x 6.3"	23.8 lb	10819201022141

SLIP FITTER BRACKET ADAPTORS FOR POLE MOUNT:

Model	Name	Materials	Weight	Dimensions	
ASD-BWM90	Wall mount 90° angle Bracket 8 1/2" x 8" pole 2 3/8"	Steel	4.54 lb (2.06 kg)	7" x 7" x 9"	
ASD-BSMG4	Ground surface Bracket 4"	Steel	1.9 lb (0.86 kg)	8" x 3 7/8" x 4"	
ASD-BSAD4	Tenon Adaptor 2-3/8" For 4" Square Poles	Steel	4.41 lb (2 kg)	7 5/8" x 5 1/8" x 5 1/8"	
ASD-BSAD5	Tenon Adaptor 2-3/8" For 5" Square Poles	Steel	5.07 lb (2.3 kg)	7 5/8" x 6 1/8" x 6 1/8"	
ASD-B2SAD4	Two head 2-3/8" adaptor for 4" square pole	Steel	9.92 lb (4.5 kg)	16 1/2" x 4 3/4" x 7 3/8"	
ASD-B4SAD4	Four head 2-3/8" adaptor for 4" square pole	Steel	14.99 lb (6.8 kg)	20 1/2" x 20 1/2" x 7 3/8"	
Model	Pcs. per Carton	Carton Size	Carton Weight	UPC	GTIN 14
ASD-BWM90	5	22.4" x 9.8" x 13"	11.5 lb	819201025213	10819201025210
ASD-BSMG4	10	22" x 9.3" x 4.4"	10 lb	819201025220	10819201025227
ASD-BSAD4	6	16.3" x 11" x 8.7"	28.7 lb	819201025701	10819201025708
ASD-BSAD5	6	19.3" x 13" x 8.7"	32 lb	819201025718	10819201025715
ASD-B2SAD4	2	17.1" x 10.8" x 8.5"	20.9 lb	819201025725	10819201025722
ASD-B4SAD4	2	20.9" x 20.9" x 15.9"	30.9 lb	819201025732	10819201025739

For most up-to-date spec sheets please refer to asd-lighting.com