



# Westinghouse

## USE AND INSTALLATION INSTRUCTIONS

Thank you very much for purchasing this Air Conditioner.  
Please read this use and installation instructions  
carefully before installing and using this appliance  
and keep this manual for future reference.



### **WARNING**


This product can expose you to chemicals including Plumbum, which is known to the State of California to cause cancer and birth defects or other reproductive harm.


For more information go to [www.P65Warnings.ca.gov](http://www.P65Warnings.ca.gov).

<b>Caution Statements</b> .....	<b>1</b>
<b>Composition of the Air Conditioner</b> .....	<b>3</b>
<b>Trouble Shooting</b> .....	<b>4</b>
<b>Air Filter (Not Factory-installed)</b> .....	<b>4</b>
<b>Installation and Maintenance</b> .....	<b>5</b>
1. Safety Notice .....	5
2. Installation of the Indoor Unit .....	5
2.1 Initial Check .....	5
2.2 Installation Location.....	6
2.3 Installation .....	6
2.4 Air Duct .....	6
3. Refrigerant Pipe .....	7
3.1 Pipe Material.....	7
3.2 Piping Connection .....	7
4. Drain Piping .....	7
5. Electrical Wiring .....	8
5.1 Electrical Installation.....	8
5.2 Change of Static Pressure.....	9
6. Test Run .....	9
7. TXV Replacement Information .....	10
8. Electric Heat Kit Selection Table.....	10

### Alert Symbols:

 **DANGER** : The symbol refers to a hazard which can result in severe personal injury or death.

 **WARNING** : The symbol refers to a hazard or an unsafe practice which may result in severe personal injury or death.

 **CAUTION** : The symbol refers to a hazard or an unsafe practice which may result in minor personal injury, product, or property damage.

**NOTE** : Refers to the remarks and instructions related to the operation, maintenance, and service.

- Installation, maintenance and repair of this unit must be performed by qualified, licensed service personnel.
- Read these instructions thoroughly before installation or operation. Failure to follow these instructions may result in improper installation, service or maintenance, possibly resulting in fire, electrical shock, property damage, personal injury, or death.
- Before installation, check if the voltage of the power supply at the installation site is the same as the voltage shown on the nameplate.

 **DANGER**

- Do not perform any alteration to this product, otherwise, it may cause water leakage, equipment failure, short circuit, electric shock, fire, etc.
- Piping, welding, and other such work should be carried out far away from any flammable and explosive materials, including the air conditioner refrigerant, in order to guarantee the security of the site.
- To protect the equipment from heavy corrosion, avoid installing the outdoor unit in the place, where sea water can splash directly onto it or in sulphurous air near a spa. Do not install the air conditioner where excessively high heat-generating objects are placed.

 **WARNING**

- If the power cable is damaged, it must be replaced by a service professional.
- The place where this product is installed must have the reliable electrical grounding facilities and protections. Do not connect the grounding of this product to air ducts, drain pipes, lightning protection facilities, as well as other piping lines to avoid electric shock and damage caused by other factors.
- Wiring must be done by a qualified electrician. All the wiring operations must be conducted according to local electrical codes.
- Consider the capacity of the electric current of your electrical meter and socket before installation.
- The power wire where this product is installed should have the independent leakage protection device and the electric current over-load protection device provided for this product.
- Never use gasoline or other inflammable gas near the equipment to avoid danger. When any abnormality like burnt smell, deformation, fire, smoke, etc. is found, you should stop using the equipment, immediately disconnect the main power supply and contact the dealer.
- The first 6 inches of supply air plenum and duct work must be constructed of sheet metal as required by NFPA 90B.
- The supply air plenum or duct must have a solid sheet metal bottom piece directly after the air handler unit with no opening, registers or flexible air ducts located in it. If flexible supply air ducts are used, they may be located only in the side walls of the rectangular plenum, a minimum of 6 inches from the solid bottom.

- **Read this manual carefully before using the equipment. If you still have any difficulties or problems, consult your dealer.**
- **The equipment is designed to provide you with comfortable room conditions. Use this unit only for its intended purpose as described in this installation and operation manual.**

### WARNING

#### PROPOSITION 65:

- This appliance contains fiberglass insulation. Respirable particles of fiberglass are known to State of California to cause cancer.
- All manufacturer products meet current federal OSHA Guidelines for safety. California Proposition 65 warnings are required for certain products, which are not covered by the OSHA standards.
- California's Proposition 65 requires warnings for products sold in California that contain or produce any of over 600 listed chemicals known to the State of California to cause cancer or birth defects such as fiberglass insulation, lead in brass, and combustion products from natural gas.
- All "new equipment" shipped for sale in California will have labels stating that the product contains and /or produces Proposition 65 chemicals. Although we have not changed our processes, having the same label on all our products facilitates manufacturing and shipping. We cannot always know "when, or if" products will be sold in the California market.
- You may receive inquiries from customers about chemicals found in, or produced by, some of our heating and air conditioning equipment, or found in natural gas used with some of our products. Listed below are those chemicals and substances commonly associated with similar equipment in our industry and other manufacturers.
  - Glass Wool (Fiberglass) Insulation
  - Carbon Monoxide(CO)
  - Formaldehyde
  - Benzene
- More details are available at the websites for OSHA (Occupational Safety and Health Administration), at [www.osha.gov](http://www.osha.gov) and the State of California's OEHHA (Office of Environmental Health Hazard Assessment), at [www.oehha.org](http://www.oehha.org). Consumer education is important since the chemicals and substances on the list are found in our daily lives. Most consumers are aware that products present safety and health risks, when improperly used, handled and maintained.

### CAUTION

- Do not turn the air conditioner on and off from the main power switch. Use the ON/OFF operation button.
- Do not stick anything into the air inlet and air outlet of both the indoor and outdoor units. This is dangerous because the fan is rotating at a high speed.
- Do not cool or heat the room too much if babies or invalids are present.
- Type and rating of circuit breakers / ELB are detailed below.
- The method of connection of the appliance to the electrical supply and interconnection of separate components are detailed below.
- The information of dimensions of the space necessary for correct installation of the appliance including the minimum permissible distances to adjacent structures is detailed below.
- The range of external static pressures for ducted appliances is detailed below.
- Make sure the blower motor support is tight (3-motor mounting bolts). Then check to see if wheel is tightly secured to motor shaft before operation unit.

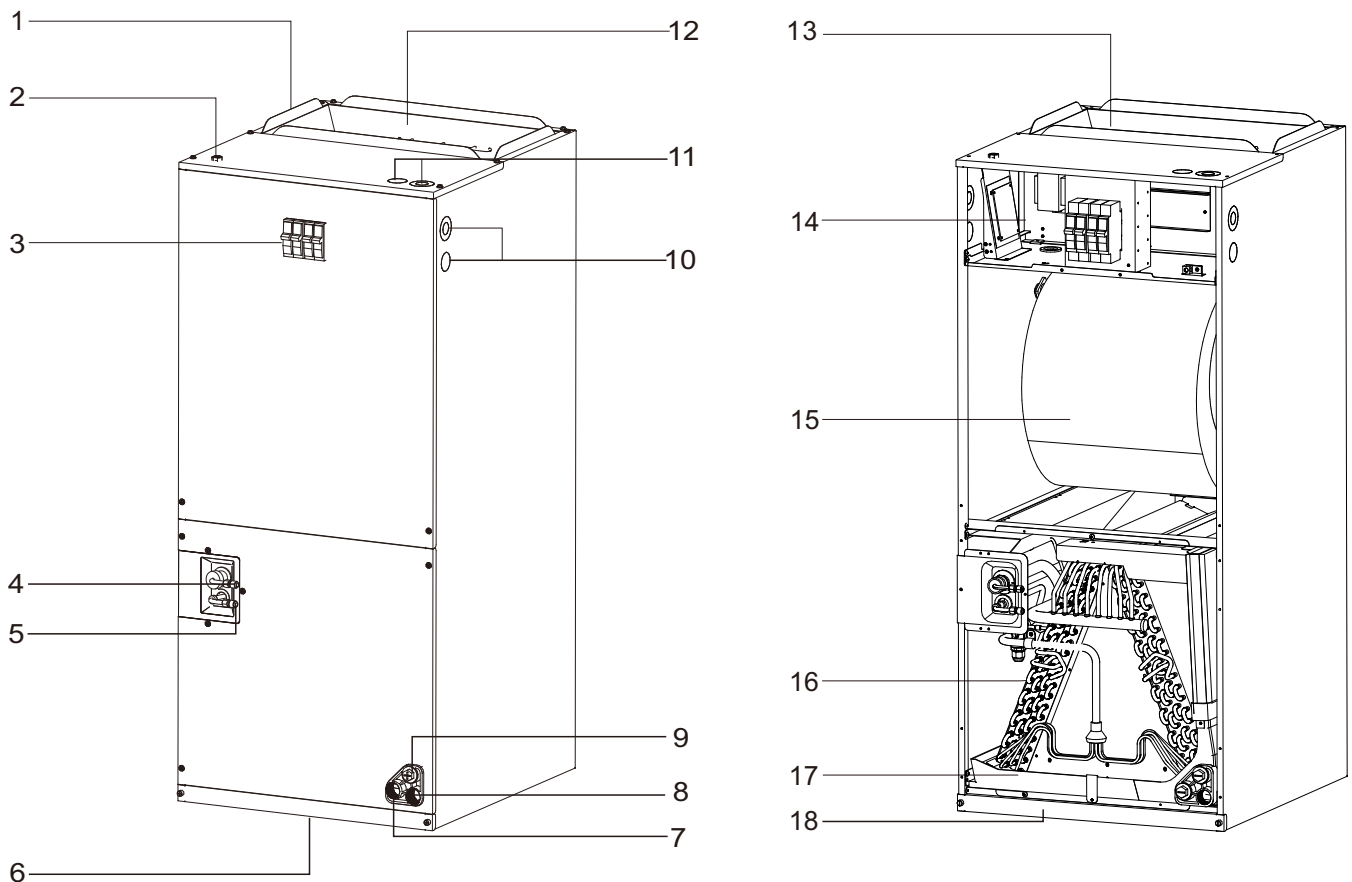
#### NOTE:

- **Storage condition: Temperature -13~140°F (-25~60°C)**  
**Humidity 30%~80%**



## Composition of the Air conditioner

### Indoor unit



1. Supply air outlet flange
2. Low voltage connection (for 24V)
3. Circuit breaker switch (Optional)
4. Refrigerant pipe (Gas)
5. Refrigerant pipe (Liquid)
6. Return air inlet
7. Auxiliary drain connection
8. Primary drain connection
9. Auxiliary drain connection
- 10,11. Knockout for power cable
12. Supply air outlet
13. Auxiliary heater (Optional)
14. Electrical enclosure
15. Blower fan
16. Coil
17. Condensate drain pan
18. Filter cover

NOTE: The figures are based on the external views of the standard model.

Consequently, the shape may differ for the air conditioner model you have selected.

## Trouble Shooting



**When drain water overflows from the indoor unit, stop the operation and contact your service provider. When you smell or see white smoke coming out of the unit, turn OFF the main power supply and contact your service provider.**

### 1. If Trouble still Exists

If the trouble still exists even after checking the following, contact your dealer and inform them of the following items.

- (1) Unit Model Name
- (2) Content of Trouble

### 2. No Operation

Check whether the SET TEMP is set at the correct temperature.

### 3. Not Cooling or Heating Properly

- Check for obstruction of air flow of outdoor or indoor units.
- Check if there are too many heating sources in the room.
- Check if the air filter is clogged with dust.
- Check if the doors or windows are open.
- Check if the temperature condition is within the operation range.

### 4. This is Not Abnormal

#### • Odor from Indoor Unit

Unpleasant odor diffuses from indoor unit after a long period of time. Clean the air filter and panels and allow good ventilation.

#### • Sound from Defective Parts

When start or stop the system, a sound might be heard. However, this is due to thermal deformation of plastic parts. It is not abnormal.

#### • Steam from Outdoor Heat Exchanger

During defrosting operation, ice on the outdoor heat exchanger melts resulting in steam.

#### • Condensation on Air Panel

When the cooling operation continues for a long period of time under high humidity conditions, dew can form on the air panel.

#### • Refrigerant Flow Sound

While the system is being started or stopped, the refrigerant flow sound may be heard.

## Air Filter

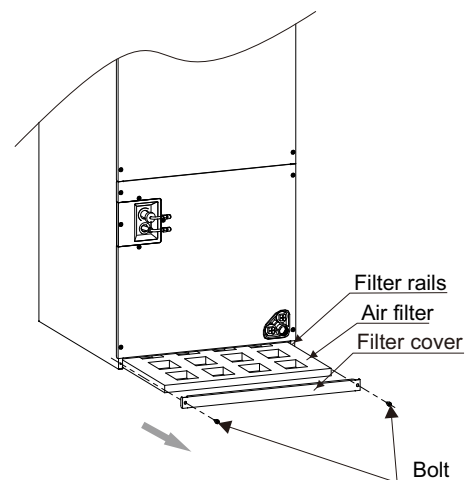
### Air Filter (Field provided and installed)

Please replace or clean the filter regularly, to remove accumulated dust from the filter surface.

#### Follow these steps to properly replace the filter:

- (1) Removing the two bolts, then remove the filter cover and pull out the filter from the cabinet.
- (2) Insert the new filter into the cabinet along the filter rail.
- (3) Fix the filter cover with bolts.

Model	Filter size (L×W×H) in.
24K/36K	20×18×1
48K/60K	22×20×1



## 1. Safety Notice

**▲ WARNING**

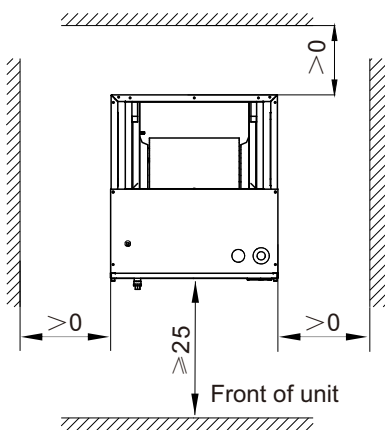
- Install the air conditioner on a solid base that can support the unit weight. (An inadequate base or incomplete installation may cause injury due to falling off from the base.)
- Electrical work should be carried out in accordance with the installation manual and the local and national electrical wiring rules or code.  
(Insufficient capacity or incomplete electrical work may cause electrical shock or fire.)
- Be sure to use a dedicated power circuit. (Never use the power supply shared by another appliance.)
- For wiring, use a cable long enough for the entire distance, and do not use an extension cord.
- Do not put other loads on the power supply, and please use a dedicated power circuit.
- Use the specified types of wires for electrical connections between the indoor and outdoor units. (Firmly clamp the interconnecting wires so that the terminals receive no external stress.)
- Incomplete connections or clamping may cause terminal overheating or fire.
- After establishing connection between all the wires, fix the cables to prevent undue force on the electrical covers or panels. (Install covers over the wires, incomplete cover installation may cause terminal overheating, electrical shock or fire.)
- There is 100PSIG high pressure nitrogen in the evaporator, please release it first before installation. It proves the evaporator to be in good state if there is nitrogen out, otherwise, it indicates the evaporator leaks.
- When installing or relocating the system, be sure to keep the refrigerant circuit free from air (Air in the refrigerant circuit may cause an abnormal pressure rise or rupture, resulting in injury.)
- If any refrigerant leakage occurs during the installation work, ventilate the room.
- After all installations are completed, make sure that no refrigerant leaks. (The refrigerant produces, toxic gas if exposed to flames.)
- When carrying out piping connection, do not let air substances other than the specified refrigerant get into refrigeration cycle. (Otherwise, it will cause decreased performance, abnormal high pressure in the refrigeration cycle, explosion and injury.)
- Make sure that the installation has a proper earth connection. Do not ground the unit to a utility pipe, arrester, or telephone grounding. Incomplete grounding may cause electrical shock. (A high surge current from lightning or other sources may cause damage to the air conditioner.)
- An earth leakage circuit breaker may be required depending on the site condition to prevent electrical shock.
- Disconnect the power supply before wiring, piping, or checking the unit.

## 2. Installation of the Indoor Unit

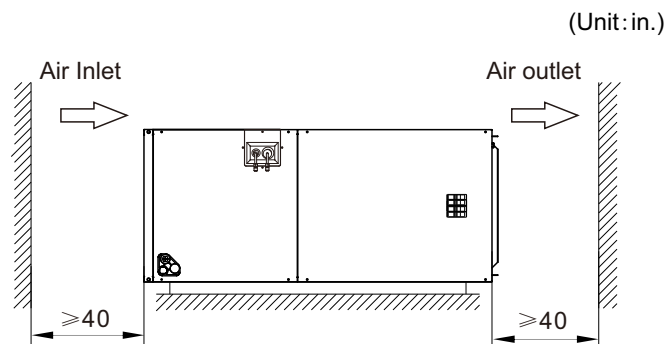
### 2.1 Initial Check

**▲ CAUTION**

- When moving the unit after unpacking, do not to exert any pressure on other parts, especially the refrigerant piping, drain piping, and flange parts.
- Wear protective gear when installing the unit.



Clearance in the Vertical Position

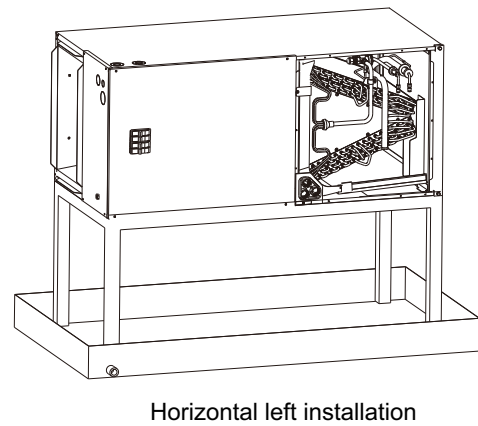
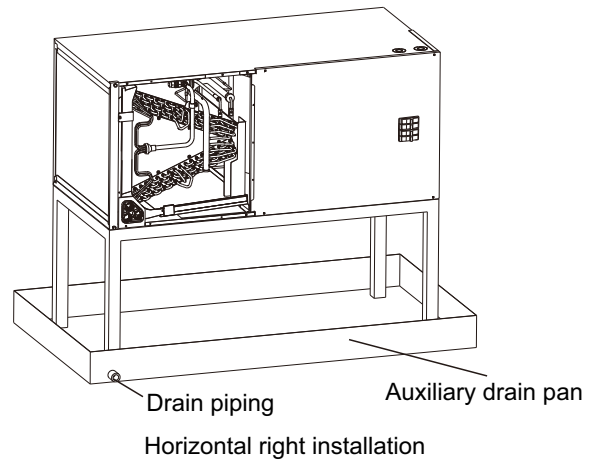


Clearance in the Horizontal Position

## 2.2 Installation Location

Obtain owners approval before selecting the installation location.

- Select ideal installation location for proper air distribution.
- Ensure the air path is not blocked.
- Ensure condensation can drain properly.
- Maintain sufficient clearance for maintenance and servicing.
- Piping between the indoor and outdoor units should be within the allowable limits. (Refer to the installation of the outdoor unit )
- The indoor unit, outdoor unit, cable and transmission should be kept at least 3-1/4ft (1 m) away from televisions and radio, to prevents image interference and noise in those electrical appliances.  
(Noise may be generated depending on the conditions under which the electric wave is generated, even if a 3-1/4ft (1 m) distance is maintained.)
- Do not install the indoor unit in a machine shop or kitchen where vapor from oil can flow to the indoor unit. Oil deposit on the heat exchanger, will reduce system performance and may damage the equipment.
- When the unit is installed in a hot and humid location, it is recommended to insulate the cabinet exterior and to use auxiliary drain pans.
- If installed above a finished living space, an auxiliary drain pan(as required by local building codes), must be installed under the entire unit and the condensate drain line must be routed to a location such that the user will see the condensate discharge.

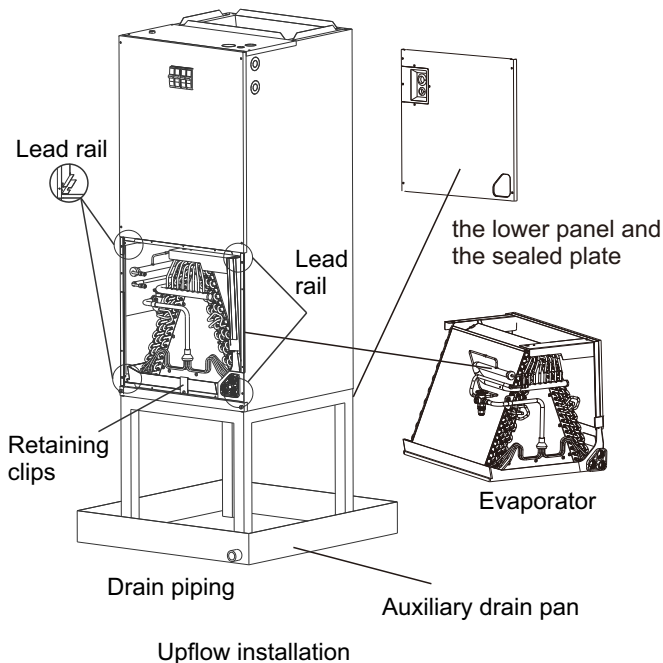


## 2.3 Installation

### NOTE:

This equipment is designed for indoor installation only.

The indoor units can be installed in one of the following orientations: upflow, horizontal left, or horizontal right. Figure below for reference.



Minor field modifications are necessary to convert to horizontal left.

Up-flow installation method is selected by default.

When the unit is mounted in the horizontal right configuration, rotate it to the right for 90 degrees, as shown in image horizontal right installation.

When the unit is horizontal left mounted, the following steps are required.

- 1). Disassemble the lower panel and the sealed plate;
- 2). Disassemble the retaining clips for the evaporator so that the evaporator can be pulled out along the lead rail easily;
- 3). Rotate the evaporator for 180 degrees and insert it into the upper side of the lead rail;
- 4). Rotate the unit to the left for 90 degrees, as shown in image horizontal left installation;
- 5). Reinstall the sealed plate and the lower panel.

## 2.4 Air duct

Field duct work must comply with the National Fire Protection Association NFPA 90/NFPA 90B and any applicable local ordinance.

### ▲ WARNING

Do not, under any circumstances, connect return duct work to any other heat producing device such as fireplace insert, stove, etc. Unauthorized use of such devices may result in fire, carbon monoxide poisoning, explosion, personal injury or property damage.

Sheet metal duct work run in unconditioned spaces must be adequately insulated and covered with a vapor barrier. Fibrous duct work may be used if constructed and installed in accordance with SMACNA Construction Standard on Fibrous Glass Ducts. Duct work must comply with National Fire Protection Association as tested by U/L Standard 181 for Class I Air Ducts. Check local codes for requirements on duct work and insulation. Duct system must be designed within the range of external static pressure the unit is designed to operate against. It is important that the system airflow be adequate. Make sure supply and return duct work, grills, special filters, accessories, etc, are accounted for in total resistance.

## 3. Refrigerant Pipe

### ⚠ DANGER

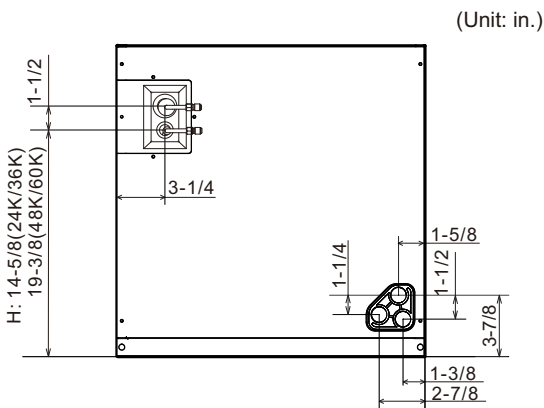
Use refrigerant according to outdoor nameplate. When carrying out the leakage check and test, do not mix in the oxygen, the acetylene and the flammable and the reactive gas, because these gases may result in explosion. It is suggested to use nitrogen to perform these tasks.

### 3.1 Pipe Material

- (1) Select clean, and dry copper pipes.
- (2) Choose dustless, non-humid, clean copper pipe. Before installing the pipe, use nitrogen or dry air to blow away dust and impurity on the pipe.
- (3) Choose the copper pipe according to outdoor manual.

### 3.2 Piping Connection

- (1) The connection positions of the pipe are shown below.



Connection positions of the pipe

Refer to the outdoor unit Installation Instructions for details on pipe sizing, selection, pipe installation, and charging information.

Evaporator coil is pressurized with Nitrogen at the factory and shipped. Evacuate the system before charging with refrigerant.

Install refrigerant lines so that they do not block service access to the front of the unit.

Nitrogen should flow through the refrigerant lines while brazing.

Use a wet rag or an approved heat paste to protect the TXV sensing bulb during the brazing process.

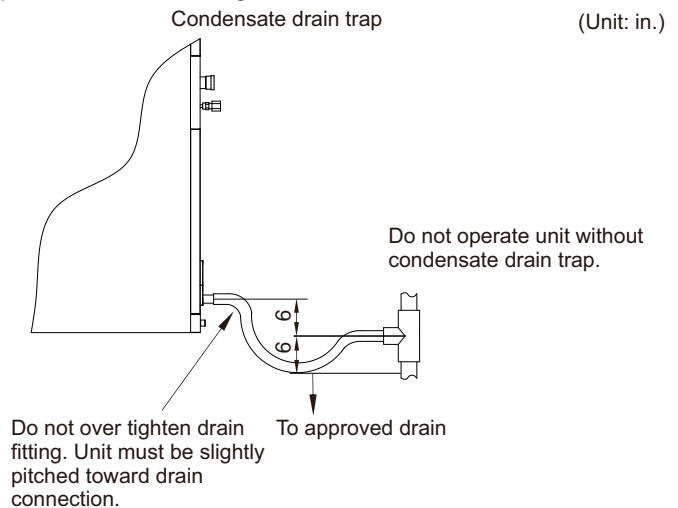
## 4. Drain Piping

The indoor units has field supplied primary and secondary 3/4-in. NPT drain connections.

When making drain fitting connections to the drain pan, use a thin layer of Teflon paste, Silicone or Teflon tape and install by hand tightening.

When making drain fitting connections to drain pan, do not over-tighten.

All horizontal drain pipes must be pitched downward away from the unit a minimum of 1/8" per foot to provide free drainage.



Do not connect the drain pipes directly to sewage pipes to avoid any odor. Ammonia in the sewage may enter the indoor unit through the drain pipe and corrode the heat exchanger. Do not twist or bend the drain hose excessive force applied during twisting or bending may cause leakage.

The drain line should be insulated where necessary to prevent sweating and damage due to condensate forming on the outside surface of the pipe. Test condensate drain pan and drain pipe after installation is complete. Keep the cabinet horizontal (horizontal left or horizontal right) to ensure a smooth drainage, or incline the case 0.5° to the drainage hole, making it the lowest point for draining. Pour water into drain pan, enough to fill drain trap and line. Check to make sure drain pan is draining completely, no leaks are found in drain pipe fittings, and water is draining from the termination of the primary drain pipe.

### NOTES:

If unit is located in or above a living space where damage may result from condensate overflow, a field-supplied, external condensate pan should be installed underneath the entire unit, and a secondary condensate line (with appropriate trap) should be run from the unit into the pan. Any condensate in this external condensate pan should be drained to a noticeable place. The owner of the structure must be informed that when condensate flows from the secondary drain or external condensate pan, the unit requires servicing or water damage will occur. Install traps in the condensate lines as close to the coil as possible.

## 5. Electrical Wiring

### 5.1 Electrical Installation

**CAUTION**

- Before proceeding with electrical connections, make certain the power supply matches the information on the unit rating label. See unit wiring label for proper high and low-voltage wiring. Make all electrical connections in accordance with the NEC and any local codes or ordinances that may apply. Refer to the NEC(USA) or CSA (Canada) for wire sizing. Use copper wire only.
- Every installation must include an NEC(USA) or CSA (Canada) approved over-current protection device.

**WARNING**

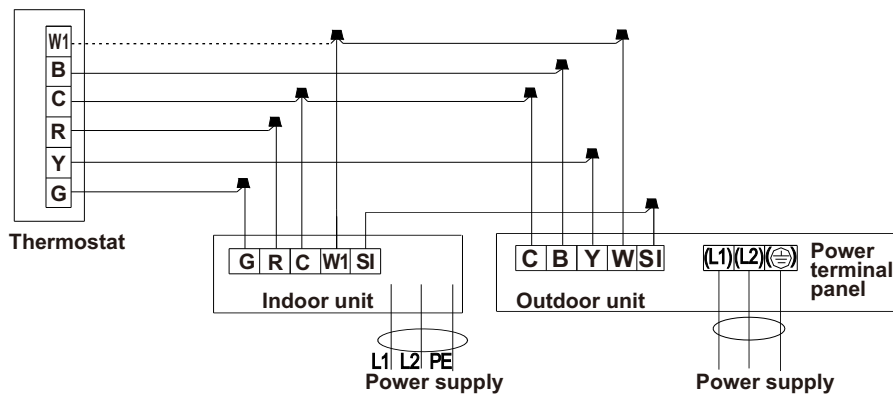
Disconnect all power before servicing or installing this unit.

To avoid electrical shock, please ensure the air conditioner is properly grounded.

All routing of electrical wiring must be made through provided electrical knockouts. Do not cut, puncture or alter the cabinet provided for electrical wiring.

Knockouts are provide on the indoor unit top panel and sides of the cabinet to allow for the entry of the power supply cable conductors. If the knockouts on the cabinet sides are used for electrical conduit, an adapter ring must be used in order to meet UL 1995 safety requirements. An MEC or CEC approved strain relief is to be used at this entry point. Some codes/municipalities require the supply wire to be enclosed in conduit. Consult your local codes.

### Wiring diagram



**NOTE:**

- (1) Do not connect dashed line when electric heater is not used.
- (2) Wiring must be performed according to wiring diagram that pasted on indoor unit.
- (3) The SI wire between the indoor and outdoor units is not indispensable, especially when the outdoor unit is connected to an indoor unit of a different brand. It is more energy-saving when the outdoor unit is connected to an indoor unit of the same brand by SI wire. However, it still can run without it.
- (4) Since the thermostat is locally provided, the terminal block in the diagram may differ from the actual one. The letter Y is the same as Y1.

### Electrical data

Model (Capacity)	Power Supply	ELB		Power Source Cable Size	Transmitting Cable Size	Thermostat Signal Size
		Rated Current (A)	Nominal Sensitive Current (mA)			
24K/36K	208/230V ~/60Hz	15	30	3×16AWG	5×16AWG	5×18AWG/ 6×18AWG
48K/60K	208/230V ~/60Hz	15	30	3×16AWG	5×16AWG	5×18AWG/ 6×18AWG

**Max. Running Current (A): REFER TO NAMEPLATE**



**NOTE:**

- (1) Follow local codes and regulations when sizing conductors. Minimum wire sizes are stated above.
- (2) When transmitting cable length is longer than 262ft. (80m), a larger wire size should be selected.
- (3) Install main switch and ELB for indoor and outdoor unit separately.  
Select the high response type ELB that is acted within 0.1second.
- (4) If auxiliary heater is required and already installed on indoor unit, power source cable should be installed separately and the size should be selected in accordance with UL.

## 5.2 Change of Static Pressure

The static pressure can be selected by changing Dip Switches on electric board.

**Static Pressure Setting:**

Dip Switch S2 Setting	Blower Speed Tap	Fan Speed Select	Static Pressure (W.C.[kPa]) 24K	Static Pressure (W.C.[kPa]) 36K	Static Pressure (W.C.[kPa]) 48K/60K
<p>ON OFF 1 2 3 4</p>	2	Medium Low (Default setting)	0.18[0.045]	0.24[0.057]	0.28[0.07]
<p>ON OFF 1 2 3 4</p>	3	Medium	0.25[0.08]	0.4[0.1]	0.4[0.1]
<p>ON OFF 1 2 3 4</p>	4	Medium High	0.58[0.145]	0.58[0.145]	0.58[0.145]
<p>ON OFF 1 2 3 4</p>	5	High	0.8[0.2]	0.8[0.2]	0.8[0.2]

**NOTE:** Symbol “■” indicates the position of the dip switch.  
Symbol “□” indicates any position of ON or OFF.

## 6. Test Run

Please perform test run according to installation manual of outdoor unit.



## 7. TXV Replacement Information

Please follow the steps below when replacing TXV:

- (1). Disassemble the front panel.
- (2). Remove the thermal bulb down by undoing the copper strips around it.
- (3). Seal the pressure pipe from the gas pipe with a welding gun. Be careful not to burn the gas pipe.
- (4). Remove the TXV off from the liquid pipe with a welding gun. Be careful not to burn the liquid pipe.
- (5). Wrap the new TXV with a piece of wet cloth to prevent damage caused by heat from being too hot and connect the nitrogen flow to the liquid pipe to prevent it from being oxidized. Weld the TXV to the liquid pipe, and pay attention to the direction of the TXV, then weld the pressure pipe to the gas pipe.
- (6). When the pipe cools down, connect it with 150PSI nitrogen equipment and examine the work for any leaks.
- (7). Secure the thermal bulb to the gas pipe with copper strips and perform insulation works.
- (8). Vacuum the unit, start up the system and the unit will start cooling operation.
- (9). Allow the unit to operate for 20 minutes, then adjust the TXV superheat to 6°F.
- (10). After the unit has operated for another 20 minutes, examine whether the superheat is appropriate and record the reading.

## 8. Electric Heat Kit Selection Table

Electric Heat Kit Model	Air Handler Model	Electric Heat (kW)	MIN. Circuit Ampacity		MAX. Fuse or Breaker (HACR) Ampacity		Fan Speed Tap			
			230VAC	208VAC	230VAC	208VAC	2	3	4	5
21-4245-01	24K	5	28.3	25.9	30	30	●	●	●	●
21-4245-02		7.5	40.7	37.2	45	40	×	●	●	●
21-4245-03		10	53.2	48.5	60	50	×	×	●	●
21-4245-01	36K	5	29.8	27.4	30	30	●	●	●	●
21-4245-02		7.5	42.2	38.7	45	40	×	●	●	●
21-4245-03		10	54.7	49.9	60	50	×	×	●	●
21-4245-04		15	42.2+36.9	38.6+33.8	45+40	40+35	×	×	×	●
21-4245-01	48K/60K	5	31.8	29.4	35	30	●	●	●	●
21-4245-02		7.5	44.8	40.7	45	45	×	●	●	●
21-4245-03		10	56.7	51.9	60	55	×	×	●	●
21-4245-04		15	44.8+36.9	40.7+33.8	50+40	50+35	×	×	●	●
21-4245-05		20	56.7+49.9	51.9+45.2	60+50	60+50	×	×	×	●

●: available  
×: unavailable

**NOTE:**

Heat kit is an optional part, and it must have a separate power supply.  
 It is recommended that the electric heater kit should be installed in cold climate regions or when long piping is used.  
 Properly size the auxiliary heater per the table above.  
 Ampacities for MCA and Fuse/breaker include the blower motor.  
 Heat pump systems require a specified airflow. Each ton of cooling requires between 350 and 450 cubic feet of air per minute(CFM).



## INSTRUCCIONES DE USO E INSTALACION

Muchas gracias por comprar este aire acondicionado. Lea cuidadosamente las instrucciones de uso e instalación antes de instalar y utilizar el electrodoméstico y guarde este manual para futuras consultas.




### **ADVERTENCIA**


Este producto puede exponerlo a sustancias químicas incluyendo Plomo, el cual es conocido en el estado de California de causar cáncer y defectos congénitos u otros daños reproductivos.


Para obtener más información visite [www.P65Warnings.ca.gov](http://www.P65Warnings.ca.gov).

<b>Indicaciones de advertencia.....</b>	<b>1</b>
<b>Composición del climatizador.....</b>	<b>3</b>
<b>Resolución de problemas.....</b>	<b>4</b>
<b>Filtro de aire (No viene instalado de fábrica) .....</b>	<b>4</b>
<b>Instalación y mantenimiento.....</b>	<b>5</b>
1. Aviso de seguridad.....	5
2. Instalación de la unidad interior.....	5
2.1 Comprobación inicial.....	5
2.2 Ubicación de la instalación.....	6
2.3 Instalación .....	6
2.4 Conducto de aire.....	6
3. Tubería de refrigerante.....	7
3.1 Material de la tubería.....	7
3.2 Conexión de la tubería.....	7
4. Tuberías de drenaje.....	7
5. Cableado eléctrico.....	8
5.1 Instalación eléctrica.....	8
5.2 Cambio de presión estática.....	9
6. Funcionamiento de prueba.....	9
7. Información de sustitución de TXV .....	10
8. Tabla de selección del equipo de calefacción eléctrica.....	10

### Símbolos de alerta:

 **PELIGRO** : Este símbolo indica un riesgo que puede resultar en lesiones personales graves o muerte.

 **ADVERTENCIA** : Este símbolo indica un riesgo o una práctica insegura que podría resultar en lesiones personales graves o muerte.

 **PRECAUCIÓN** : Este símbolo indica un riesgo o una práctica insegura que podría resultar en lesiones personales o daños a la propiedad o el producto.

**NOTA** : Indica la existencia de comentarios e instrucciones acerca del funcionamiento, el mantenimiento y el servicio.

- Una persona calificada y del servicio debe realizar la instalación, el mantenimiento y la reparación de esta unidad.
- Lea completamente estas instrucciones antes de la instalación o el funcionamiento. El incumplimiento de estas instrucciones podría causar una instalación, servicio o mantenimiento incorrectos y podrían causar incendios, descargas eléctricas, daños en la propiedad, lesiones o la muerte.  
Antes de realizar la instalación, compruebe que el voltaje de la fuente de alimentación en el sitio de instalación sea el mismo que el voltaje que se muestra en la placa.

### PELIGRO

- No altere el producto; de lo contrario, puede causar fugas de agua, roturas, cortocircuitos, descargas eléctricas, incendios, etc.
- Para garantizar la seguridad del lugar, se debe realizar la instalación de la tubería, la soldadura y otro trabajo similar lejos de fuentes inflamables y materiales explosivos, incluyendo el refrigerante del aire acondicionado.
- Para proteger al aire acondicionado de corrosiones, evite realizar la instalación de la unidad externa en lugares donde el agua de mar pueda salpicar directamente o cerca de spa donde haya aires sulfurosos. No instale el climatizador cerca de objetos que generen mucho calor.

### ADVERTENCIA

- Para evitar peligros, el fabricante, o su departamento de servicios, debe reemplazar el cable de alimentación en caso de que este esté dañado.
- El lugar de instalación debe contar con instalaciones y protecciones de conexión eléctrica seguras. No conecte la conexión a tierra de este producto a varios tipos de conductos de producción de aire, a tuberías de desagüe, a instalaciones con protección contra rayos, como a otras líneas de tubería para evitar descargas eléctricas y daños provocados por otros factores.
- Un técnico cualificado debe realizar el cableado. Todas las operaciones de la instalación eléctrica deben ser realizadas según los códigos eléctricos locales.
- Debe considerar la capacidad de la corriente del medidor eléctrico y del tomacorriente antes de realizar la instalación.
- El cable de potencia, donde se encuentra instalado este producto, debe tener un dispositivo de protección contra fugas independiente y un dispositivo de protección contra sobrecargas eléctricas suministrado para este producto.
- Para evitar peligros, no utilice nunca gasolina u otro gas inflamable cerca del aire acondicionado. Cuando ocurre alguna anomalía, como olor a quemado, deformación, incendio, humo, etc., debe dejar de utilizar el aire acondicionado y cortar inmediatamente el suministro eléctrico principal y contactar al vendedor.
- Según lo establecido por la norma NFPA 90B, las primeras 6 pulgadas de la cámara de aire y el conducto deben ser construidos con una chapa metálica.
- El conducto, o la cámara de aire, deben tener una chapa de metal sólida sin aberturas, registros ni conductos de aire flexibles en la parte inferior junto a la unidad del climatizador. Si se utilizan conductos flexibles de suministro de aire, se deben colocar solo en el lado de la pared del lleno rectangular a un mínimo de 6 pulgadas desde la base sólida.

- **Lea atentamente este manual antes de usar el climatizador. Si todavía tiene dificultades o problemas, solicite ayuda a su distribuidor.**
- **El climatizador ha sido diseñado para ofrecerle unas condiciones confortables. Utilice esta unidad únicamente para su finalidad prevista descrita en este manual de instrucciones.**

### ADVERTENCIA

#### PROPUESTA 65:

- Este electrodoméstico contiene aislante de fibra de vidrio. En el estado de California, se conoce que estas partículas de fibra de vidrio respirables causan cáncer.
- Todos los productos del fabricante cumplen con las pautas federales de seguridad vigentes de la OSHA (en español: Administración de Seguridad y Salud Ocupacional). Las advertencias de la propuesta 65 de California son necesarias para ciertos productos que no estén cubiertos por las normas OSHA.
- Las advertencias de la propuesta 65 de California son necesarias para los productos vendidos en California que contengan o produzcan cualquier de los 600 químicos mencionados, como por ejemplo el aislante de fibra de vidrio, latón y productos de combustión de gas natural, conocidos en el estado de California por causar cáncer o anomalías congénitas.
- Todo "equipo nuevo" enviado para la venta en California tendrá las etiquetas que mencionan que el producto contiene y/o produce químicos de la Propuesta 65. Aunque no hemos cambiado nuestro proceso, tener la misma etiqueta en todos nuestros productos simplifica la fabricación y el envío. No siempre podemos saber "cuando, o si," los productos se venderán en el mercado de California.
- Usted puede recibir las consultas de los clientes sobre los químicos encontrados en, o producidos por, algunos de nuestros equipos de aires acondicionados y de calefacción, o encontrados en el gas natural utilizado con algunos de nuestros productos. La siguiente lista menciona los químicos y las sustancias que se asocian comúnmente con los equipos similares en nuestra industria y otros fabricantes.
  - Aislante de lana de vidrio (fibra de vidrio)
  - Monóxido de carbono (CO)
  - Formaldehído
  - Benceno
- Más detalles disponibles en la página web de OSHA (Administración de seguridad y salud ocupacional): [www.osha.gov](http://www.osha.gov) y en la página de OEHHA (Oficina de Evaluación de Riesgos para la Salud Ambiental) del estado de California: [www.oehha.org](http://www.oehha.org). La educación del consumidor es importante ya que los químicos y las sustancias mencionadas se encuentran en nuestra vida diaria. La mayoría de los consumidores están conscientes en cuanto a que los productos presentan riesgos de salud y seguridad, cuando se utilizan, manejan y realizan el mantenimiento de forma incorrecta.

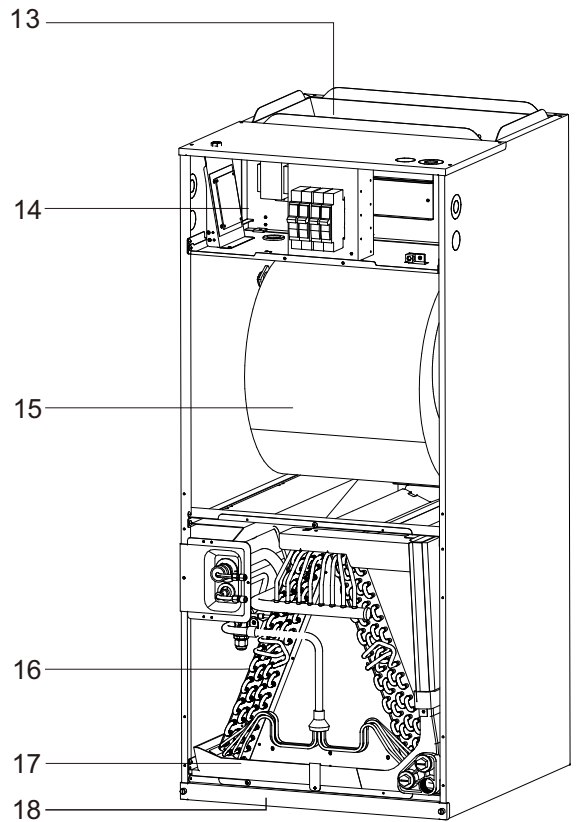
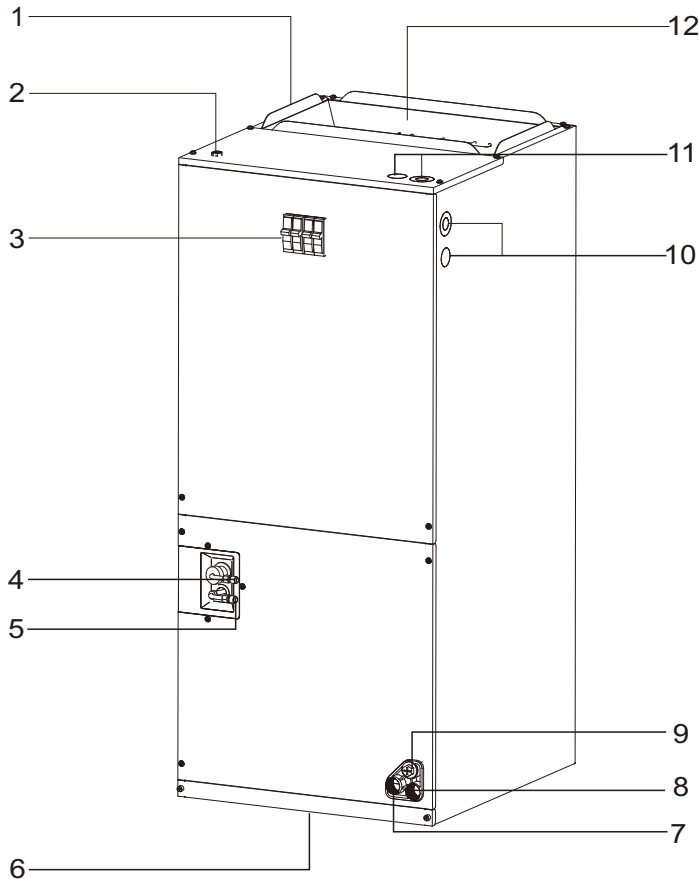
### PRECAUCIÓN

- No encienda y apague el climatizador con el interruptor de alimentación principal. Utilice el botón de encendido/apagado de la operación.
- No enganche nada en las entradas y salidas de aires de las unidades interior y exterior. Es peligroso porque el ventilador gira a alta velocidad.
- No refrigere ni caliente demasiado la habitación si hay bebés o personas inválidas presentes.
- A continuación, se detallan el tipo e índice de los disyuntores / ELB.
- A continuación se detalla el método de conexión del electrodoméstico para el suministro eléctrico y la interconexión de los componentes separados.
- A continuación, se detalla la información de las dimensiones del espacio necesario para la correcta instalación del electrodoméstico, incluyendo las distancias mínimas permisibles a las estructuras adyacentes.
- A continuación, se detalla el rango de presión estática externa para los electrodomésticos con ductos.
- Asegúrese de que el soporte del motor del soplador esté sujeto (3 pernos para el montaje del motor) Luego, compruebe si la rueda está sujeta de forma segura al eje del motor antes de comenzar el funcionamiento de la unidad.

#### NOTA:

- **Condiciones de almacenamiento: Temperatura -13~140°F (-25~60°C)**  
**Humedad 30%~80%**

## Unidad interior



1. Brida de salida de aire
2. Conexión de baja tensión (para 24V)
3. Interruptor del disyuntor(Opcional)
4. Tubería refrigerante (Gas)
5. Tubería refrigerante (Líquido)
6. Entrada de aire
7. Orificio del desagüe auxiliar
8. Orificio del desagüe
9. Orificio del desagüe auxiliar
10. Conexión de alta tensión
11. Conexión de alta tensión
12. Salida de aire
13. Calentador auxiliar (Opcional)
14. Caja eléctrica
15. Voluta del ventilador
16. Evaporador
17. Bandeja de desagüe
18. Tapa del filtro

NOTA: Las figuras están basadas en la vista externa de un modelo estándar.

Así mismo, la forma puede diferir del modelo de aire acondicionado que usted seleccionó.

## Resolución de problemas

### ⚠️ PRECAUCIÓN

Cuando el agua del desagüe se desborda desde la unidad interna, detenga el funcionamiento y contacte al vendedor.

Cuando huela o vea humo blanco saliendo de la unidad, APAGUE el interruptor principal y contacte al vendedor.

#### 1. Si el problema persiste

Si el problema continúa incluso después de comprobar lo siguiente, contacte a su vendedor e infórmele sobre las siguientes cuestiones.

- (1) Nombre de modelo de la unidad
- (2) Características del problema

#### 2. No funciona

Compruebe si la TEMPERATURA AJUSTADA está ajustada a la temperatura correcta.

#### 3. No enfría o calienta bien

- Compruebe si hay obstrucciones en el flujo de aire de las unidades exterior o interior.
- Compruebe si hay muchas fuentes de calor en la habitación.
- Compruebe si el filtro de aire está atascado con polvo.
- Compruebe si hay puertas o ventanas abiertas.
- Compruebe si la temperatura se encuentra dentro del rango operativo.

#### 4. Esto no es anormal

##### • Olores desde la unidad interna

Olores desagradables se esparcen de la unidad interna después de un largo periodo de tiempo. Limpie el filtro de aire y los paneles o permita que haya una buena ventilación.

##### • Sale sonido de las piezas deformadas

Se puede escuchar un ruido cuando el sistema arranca o se detiene. Sin embargo, esto se debe a la deformación térmica de las piezas de plástico. No es anormal.

##### • Sale vapor del intercambiador de calor exterior

Durante el funcionamiento de descongelación, el hielo del intercambiador de calor externo se derrite y se transforma en vapor.

##### • Condensación en el panel de aire

Cuando el aparato enfría durante un periodo prolongado en condiciones de humedad alta, se puede formar condensación en el panel de aire.

##### • Sonido del flujo de refrigerante

Mientras el sistema inicia o se detiene, se puede escuchar el sonido del refrigerante circulando.

## Filtro de aire

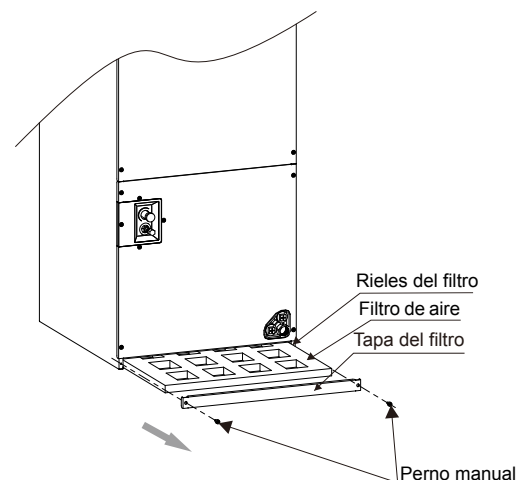
### Filtro de aire (No viene instalado de fábrica)

Reemplace o limpie el filtro regularmente, ya que habrá mucho polvo acumulado en la superficie del filtro después de un tiempo.

#### Siga estos pasos para reemplazar el filtro:

Después de quitar los dos pernos manuales, baje la cubierta del filtro y extraiga el filtro de la caja, luego inserte el nuevo en la caja a lo largo del riel del filtro y, finalmente, fije la cubierta del filtro con pernos manuales.

Modelo	Dimensiones del filtro (L × W × H) pulgada
24K/36K	20×18×1
48K/60K	22×20×1





## 1. Aviso de seguridad

### ▲ ADVERTENCIA

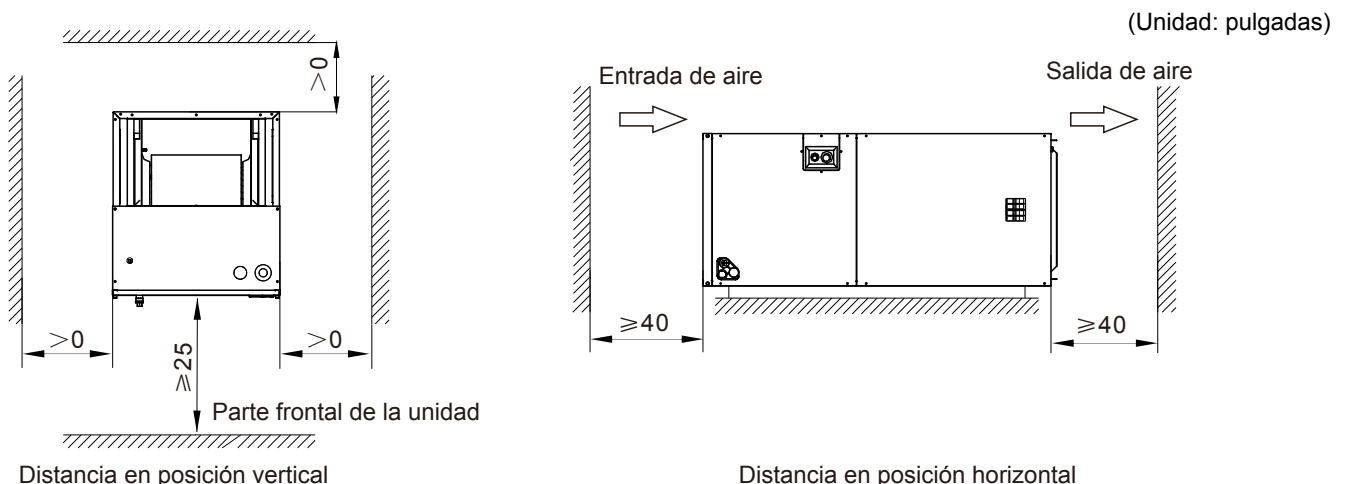
- Instale el aire acondicionado sobre una base sólida que pueda soportar el peso de la unidad. (Una base insuficiente o la instalación incompleta podrían causar lesiones ya que puede caer de la base.)
- Debe realizar la conexión eléctrica conforme al manual de instalación y a las normas locales y nacionales de electricidad o a los códigos. (La capacidad insuficiente o la conexión incompleta podrían causar descargas eléctricas o incendios.)
- Asegúrese de utilizar un circuito eléctrico dedicado (nunca utilice un suministro eléctrico compartido con otro aparato.)
- Para la conexión eléctrica, utilice un cable lo suficientemente largo para toda la distancia. No utilice un cable de extensión.
- No coloque otras cargas en la fuente de alimentación y utilice un circuito eléctrico específico.
- Utilice los tipos de cables especificados para realizar las conexiones eléctricas entre las unidades interior y exterior (sujete con firmeza los cables de conexión para que los terminales no reciban presiones externas.)
- Las conexiones o sujeciones incompletas podrían provocar que el terminal se sobrecaliente o se queme.
- Después de establecer la conexión entre todos los cables, sujete los cables para evitar la fuerza excesiva en los cobertores o paneles eléctricos. (instale cubiertas sobre los cables, una instalación incompleta de las cubiertas podría provocar el sobrecalentamiento del terminal, una descarga eléctrica o un incendio.)
- Cuando instala o reubica el sistema, asegúrese de mantener el circuito refrigerante libre de aire. (El aire en el circuito refrigerante puede causar un aumento anormal de la presión o una ruptura y provocar lesiones.)
- Si ocurren fugas del refrigerante durante la instalación, ventile la habitación.
- Después de completar toda la instalación, asegúrese de que no haya fugas del refrigerante. (El refrigerante produce un gas tóxico si está expuesto al fuego.)
- Al realizar la conexión de la tubería, no deje que entren sustancias en el ciclo refrigerante que no sea el refrigerante especificado. (De lo contrario, disminuirá el rendimiento, causará presión alta anormal en el ciclo de refrigeración, explosión y lesiones.)
- Asegúrese de que la instalación cuente con una conexión a tierra adecuada. No conecte la unidad a tierra a una tubería pública, a un pararrayos o al cableado telefónico. El cableado a tierra incompleto puede causar descargas eléctricas. (un pico de tensión por un rayo u otras fuentes podría causar daños en el climatizador.)
- Es posible que sea necesario un disyuntor diferencial según las condiciones del sitio para prevenir descargas eléctricas.
- Desconecte el suministro eléctrico antes de realizar el trabajo del cableado eléctrico, la tubería o la verificación de la unidad.

## 2. Instalación de la unidad interior

### 2.1 Comprobación inicial

#### ▲ PRECAUCIÓN

- Después de desembalar la unidad, al moverla, asegúrese de no ejercer presión en otras piezas, especialmente en la tubería refrigerante, la tubería de desagüe y las bridas.
- Utilice equipo de protección para instalar la unidad.



## 2.2 Ubicación de la instalación

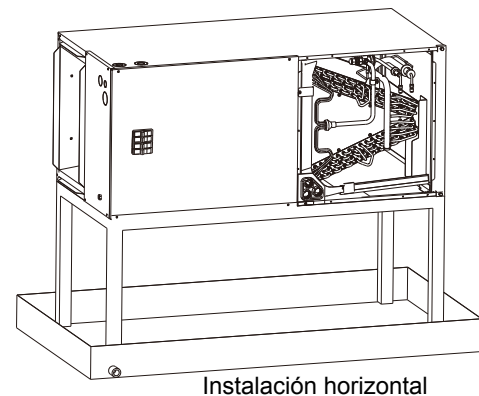
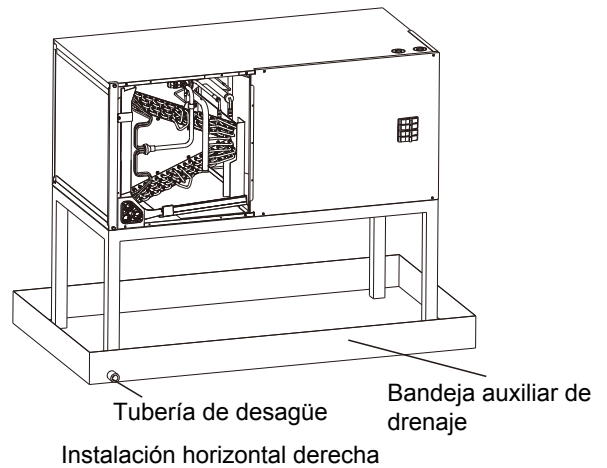
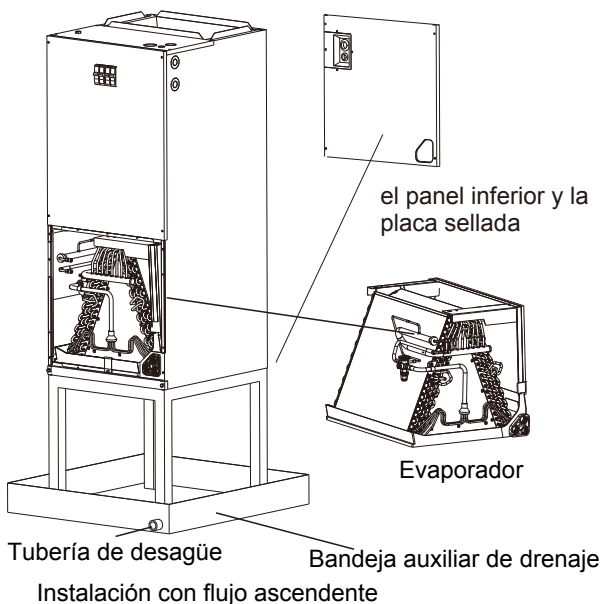
Antes de elegir el lugar para la instalación, obtenga la aprobación del usuario.

- Se garantiza una distribución óptima del aire.
- El conducto de aire no está bloqueado.
- La condensación puede drenarse adecuadamente.
- Deje suficiente espacio libre para realizar el mantenimiento y el servicio.
- La tubería entre las unidades interna y externa debería estar entre los límites admisibles. (refiérase a la instalación de la unidad externa)
- La unidad interior, la unidad exterior, el cableado de alimentación y el cableado de transmisión deben estar a una distancia mínima de 1 metro de los televisores y radios para prevenir interferencia en la imagen y ruido de los aparatos eléctricos  
(Se puede generar ruido dependiendo de las condiciones bajo la cual la se genera la onda eléctrica, incluso si se mantiene la distancia de un metro.)
- No instale la unidad interior en una tienda o cocina con aparatos con vapor de aceite o neblinas que puedan entrar en la unidad interior. El aceite se depositará en el intercambiador térmico, reduciendo así el rendimiento de la unidad interior y podría deformar y en el peor de los casos, romper las piezas de plástico de la unidad interior.
- Cuando la unidad sea instalada en un lugar cálido y húmedo, se recomienda aislar el exterior del gabinete y utilizar bandejas auxiliares para drenaje.
- Si se instala encima de un espacio habitacional, se debe instalar una bandeja de drenaje auxiliar (Tal como lo requieren muchos códigos de construcción). Esta bandeja debe estar debajo de toda la unidad y su línea de drenaje condensación se debe dirigir a una ubicación de forma al que el usuario vea la descarga del condensado.

## 2.3 Instalación

### NOTA:

Estos electrodomésticos solo están diseñados para instalaciones en el interior. Las unidades internas se pueden instalar de forma con el flujo ascendente, con orientación horizontal hacia la izquierda o la derecha como se muestra en las siguientes imágenes.



Es necesario realizar pequeñas modificaciones en el campo para cambiar la orientación de forma horizontal hacia la derecha.

El flujo ascendente es el método de instalación por defecto.

Cuando la unidad está colocada de forma horizontal hacia la derecha, rótelas a la derecha 90 grados como se muestra en la imagen de la instalación horizontal hacia la derecha.

Es necesario realizar los siguientes pasos cuando la unidad está colocada de forma horizontal hacia la izquierda.

- 1). Desmonte el panel inferior y la placa sellada;
- 2). Desmonte las abrazaderas de sujeción del evaporador para que pueda extraerse fácilmente por el carril;
- 3). Gire el evaporador a 180 grados y colóquelo en la parte superior del carril;
- 4). Gire la unidad hacia la izquierda a 90 grados como se muestra en la imagen de la instalación horizontal hacia la izquierda;
- 5). Vuelva a colocar la placa sellada y el panel inferior.

## 2.4 Conductos de aire

El trabajo del conducto debe cumplir con la norma 90NFPA 90B de la Asociación Nacional de Protección contra el Fuego (NFPA) y con cualquier otra norma local aplicable.

### ▲ ADVERTENCIA

Bajo ninguna circunstancia conecte el conducto de retorno a un dispositivo de producción de calor, como por ejemplo chimeneas, hornos, etc. El uso no autorizado de dichos dispositivos podría causar incendios, envenenamiento por monóxido de carbono, explosiones, lesiones o daños en la propiedad.

## Instalación y mantenimiento

El trabajo de la chapa de metal del conducto en espacios no condicionados debe estar aislado y cubierto con una barrera de vapor.

Se puede utilizar el conducto de fibra solo si se construye y se instala conforme a las Normas de Construcción SMACNA sobre los conductos de fibra de vidrio. El conducto debe cumplir con lo dispuesto por la Asociación Nacional de Protección contra el Fuego como se evalúa por la Norma U/L-181 para conductos de aire de clase I.

Verifique los códigos locales para los requisitos sobre el conducto y el aislante.

El sistema del conducto debe estar diseñado dentro del rango de presión estática externa para el cual fue diseñado la unidad. Es importante que el sistema del flujo de aire sea adecuado. Asegúrese de que el conducto de retorno y suministro, las rejillas, los filtros especiales, los accesorios, etc. estén contabilizados en resistencia total.

### 3. Tubería de refrigerante

#### ⚠ PELIGRO

Utilice el refrigerante en conformidad con la placa exterior. Cuando realiza la prueba y verificación de fugas, no mezcle en el oxígeno, el acetileno y el gas reactivo e inflamable ya que estos gases pueden causar explosiones. Se aconseja utilizar nitrógeno para realizar estos experimentos.

#### 3.1 Material de la tubería

- (1) Prepare la tubería de cobre al momento.
- (2) Elija una tubería de cobre sin polvo, no húmeda y limpia. Antes de instalar la tubería, utilice nitrógeno o aire seco para soplar el polvo y las impurezas de la tubería.
- (3) Seleccione la tubería de cobre conforme al manual de la unidad externa.

#### 3.2 Conexión de la tubería

- (1) En las Fig. 3.1 se muestran las posiciones de conexión de la tubería.

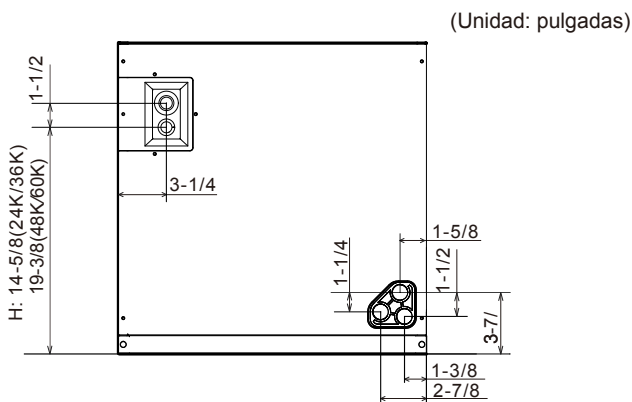


Imagen 3.1 Posiciones de la conexión de la tubería

Refiérase a las instrucciones de instalación de la unidad externa para conocer los detalles sobre el tamaño de la tubería, la instalación de la tubería y la información de la carga.

La bobina se envía llena de nitrógeno. Evacúe el sistema antes de cargarlo con refrigerante.

Instale las líneas de refrigerante de tal manera que no bloquee el acceso del servicio en la parte frontal de la unidad.

Mientras realiza la soldadura, el nitrógeno debe fluir por las líneas del refrigerante.

Utilice un trapo mojado o una pasta térmica aprobada para proteger el bulbo de la TXV durante el trabajo de soldadura.

### 4. Tuberías de drenaje

La unidad interna cuenta con un campo provisto con conexiones de desagüe NPT primarias y secundarias de 3/4 pulgadas.

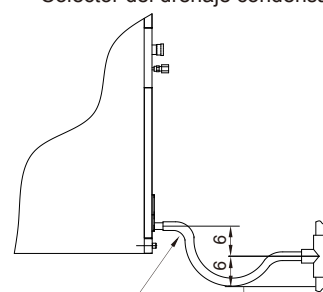
Al realizar las conexiones del desagüe en la bandeja de desagüe, utilice una capa delgada de pasta de teflón, silicona o cinta de teflón e instálelo firmemente con la mano.

No ajuste demasiado las conexiones de desagüe a la bandeja de desagüe.

Toda la tubería horizontal debe estar orientada hacia abajo y lejos de la unidad a un mínimo de 1/8" por pie al desagüe libre provisto.

Colector del drenaje condensado

(Unidad: pulgadas)



No haga funcionar la unidad sin un colector de drenaje condensado.

No ajuste demasiado la conexión de desagüe; la unidad debe estar un poco inclinada en dirección a la conexión del desagüe.

Para el desagüe aprobado

Para evitar el olor a amoníaco, no conecte las tuberías de desagüe directamente al conducto de aguas residuales. El amoníaco de las alcantarillas podría entrar en la unidad interior a través de las tuberías de drenaje y corroer el intercambiador de calor. No doble ni tuerza la manguera de desagüe ya que la fuerza excesiva aplicada de dichas acciones también podría causar fugas. La línea de desagüe debe estar aislada donde sea necesario para evitar que la condensación que se forma en la superficie de la tubería cause daños. Ponga a prueba la bandeja y la tubería de desagüe después de que la instalación esté completa. Vierta agua en la bandeja de desagüe, lo suficiente para llenar la bandeja y la línea. Mantenga la caja en posición horizontal (horizontal a la izquierda o a la derecha) para garantizar un drenaje suave, o incline la caja 0,5° en dirección hacia el orificio de drenaje, convirtiéndolo en el punto más bajo para el drenaje. Asegúrese de que la bandeja de desagüe drene completamente, que no se encuentren fugas en las conexiones de la tubería y que el agua drene desde la terminación de la tubería de desagüe primaria.

#### NOTA:

Si la unidad está ubicada dentro o sobre un espacio de residencia donde la condensación puede causar daños, debe instalar una bandeja de condensación externa, no incluida, debajo de la unidad y una línea de condensación secundaria (con el colector apropiado) que funcione desde la unidad hasta la bandeja. Debe drenar la condensación de esta bandeja externa en un lugar adecuado. El dueño de la estructura debe saber que cuando la condensación fluya desde la bandeja de desagüe secundaria o externa, es necesario realizar el mantenimiento de la unidad; de lo contrario, ocurrirá daños por el agua.

Instale los colectores en las líneas de condensación lo más cerca posible de las bobinas.

## 5. Cableado eléctrico

### 5.1 Instalación eléctrica

#### ⚠ PRECAUCIÓN

- Antes de proceder con las conexiones eléctricas, asegúrese de que la fuente de alimentación sea como la especificada en la placa de la unidad. Vea la etiqueta sobre el cableado en la unidad para un cableado de alta y baja tensión adecuada. Realice todas las conexiones eléctricas conforme a NEC y a cualquier código u ordenanza local que aplique. Refiérase a NEC (EE.UU.) o CSA (Canadá) para el tamaño del cableado. Utilice solo alambres de cobre.
- Toda la instalación debe incluir un dispositivo de protección contra sobretensión aprobado por NEC (EE.UU.) o CSA (Canadá).

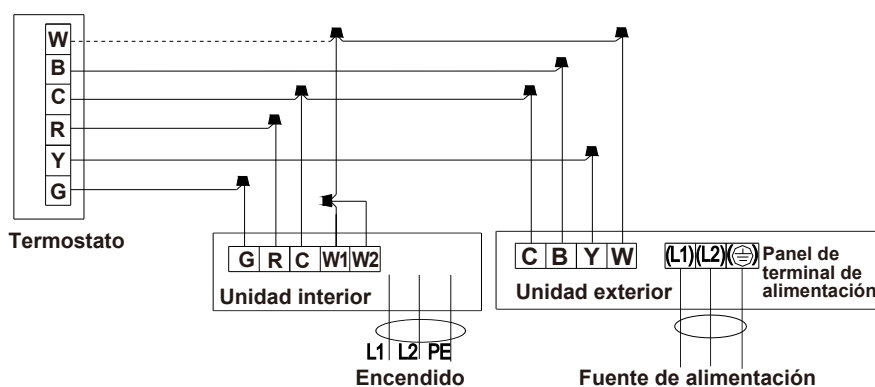
#### ⚠ ADVERTENCIA

Desconecte el suministro eléctrico antes de realizar el mantenimiento o la instalación de esta unidad. Asegúrese de que el aire acondicionado esté correctamente conectado a tierra para evitar descargas eléctricas.

Debe realizar el trazado del cable eléctrico a través de las aberturas eléctricas. No corte, perfore o altere el gabinete para el cableado eléctrico.

Las aberturas se encuentran en el panel superior de la unidad interna y a los lados del gabinete para permitir la entrada de los conductores de tensión. Si utiliza las aberturas en los lados del gabinete para el conducto eléctrico, debe utilizar un adaptador para cumplir con los requisitos de seguridad UL 1995. En este punto de entrada se utiliza un aliviador de tensión aprobado por MEC o CEC. Algunos códigos/municipios requieren que el cable de alimentación esté contenido dentro del conducto. Consulte los códigos locales.

### Diagrama de cableado



#### NOTA:

- 1) No conecte la línea discontinua si no utiliza el calentador electrónico.
- 2) El cableado debe realizarse conforme al diagrama eléctrico que se encuentra pegado en la unidad interna.
- 3) El cable SI entre la unidad interior y la unidad exterior no es indispensable, especialmente cuando la unidad exterior está conectada a una unidad interior de una marca diferente. Se ahorra más energía cuando la unidad exterior está conectada, mediante un cable "SI", a una unidad interior de la misma marca. Sin embargo, también puede funcionar sin él.
- 4) Dado que el termostato se proporciona localmente, el bloque de terminales del diagrama puede diferir del real. La letra "Y" es la misma que "Y1".

### Datos eléctricos

Modelo (Capacidad)	Fuente de alimentación	ELB		Tamaño del cable de la fuente de	Tamaño del cable de transmisión	Tamaño de señal del termostato	Fusible o interruptor de circuito (A)
		Corriente nominal (A)	Corriente nominal sensitiva (mA)				
24K/36K /48K/60K	208/230V ~/60Hz	15	30	3×16AWG	5×16AWG	5×18AWG/ 6×18AWG	15

**Corriente circulante máxima (A): CONSULTE LA PLACA IDENTIFICADORA**





**NOTE:**

- (1) Siga los códigos y reglas locales para seleccionar los cables. Todos los anteriores son del tamaño de cable mínimo.
- (2) Cuando la longitud del cable de transmisión es mayor que 262 pies (80 m), debe seleccionar un tamaño de cable más grande.
- (3) Instale el interruptor principal y el interruptor diferencial para cada sistema de manera separada. Seleccione un interruptor diferencial del tipo de respuesta alto que funcione dentro de 0,1 segundos.
- (4) Si se necesita un calentador secundario ya está instalado en la unidad interna, debe instalar el cable de alimentación de forma separada y debe seleccionar el tamaño conforme a UL.

## 5.2 Cambio de presión estática

Se puede seleccionar la presión estática al cambiar el interruptor DIP en el tablero eléctrico.

**Ajuste de presión estática:**

Configuración del interruptor DIP S2	Selector de velocidad del ventilador	Indicador de velocidad de ventilador	Presión estática (W.C.[kPa]) 24K	Presión estática (W.C.[kPa]) 36K	Presión estática (W.C.[kPa]) .... 60K
	2	Medio-bajo (Configuración predeterminada)	0.18[0.045]	0.24[0.057]	0.28[0.07]
	3	Medio	0.25[0.08]	0.4[0.1]	0.4[0.1]
	4	Altura media	0.58[0.145]	0.58[0.145]	0.58[0.145]
	5	Elevado	0.8[0.2]	0.8[0.2]	0.8[0.2]

**NOTA:** El símbolo "■" indica la posición del interruptor de configuración.

El símbolo "□" indica la posición del interruptor de configuración ENCENDIDO o APAGADO.

## 6. Funcionamiento de prueba

Realice la prueba de funcionamiento conforme al manual de instalación de la unidad externa.



## 7. Información de sustitución de TXV

Al momento de reemplazar la TXV, siga los siguientes pasos:

1. Desarme el panel frontal.
2. Quite el bulbo térmico deshaciendo las láminas de cobre a su alrededor.
3. Desconecte la tubería de presión de la tubería de gas utilizando una soldadora. Tenga cuidado de no quemar la tubería de gas.
4. Desconecte la TXV de la tubería de líquido utilizando una soldadora. Tenga cuidado de no quemar la tubería de líquido.
5. Envuelva la nueva TXV con un paño húmedo para evitar que se caliente mucho y conecte el flujo de nitrógeno a la tubería de líquido para evitar que se oxide. Suelde la TXV a la tubería de líquido y preste atención a la dirección de la TXV. Luego, suelde la tubería de presión a la tubería de gas.
6. Después de soldarla, cuando la tubería se enfríe, conéctela con un equipo de nitrógeno de 150PSI y examine si hay fugas.
7. Fije la bombilla térmica a la tubería de gas con láminas de cobre y realice el trabajo del aislamiento.
8. Realice el vacío en la unidad, inicie el sistema y la unidad comenzará con la función de refrigeración.
9. Cuando la unidad haya estado funcionando durante 20 minutos, ajuste el recalentamiento de la TXV a 6°F.
10. Cuando la unidad haya estado funcionando por otros 20 minutos, examine si el recalentamiento es adecuado y registre las cifras.

## 8. Tabla de selección del equipo de calefacción eléctrica

Modelo del equipo de calefacción	Modelo de controlador de aire	Calefacción eléctrica (kW)	Ampacidad Mínima del Circuito		Ampacidad Máxima HACR) para el fusible o disyuntor		Selector de velocidad del ventilador			
			230VAC	208VAC	230VAC	208VAC	2	3	4	5
21-4245-01	24K	5	28.3	25.9	30	30	●	●	●	●
21-4245-02		7.5	40.7	37.2	45	40	×	●	●	●
21-4245-03		10	53.2	48.5	60	50	×	×	●	●
21-4245-01	36K	5	29.8	27.4	30	30	●	●	●	●
21-4245-02		7.5	42.2	38.7	45	40	×	●	●	●
21-4245-03		10	54.7	49.9	60	50	×	×	●	●
21-4245-04		15	42.2+36.9	38.6+33.8	45+40	40+35	×	×	×	●
21-4245-01	48K/60K	5	31.8	29.4	35	30	●	●	●	●
21-4245-02		7.5	44.8	40.7	45	45	×	●	●	●
21-4245-03		10	56.7	51.9	60	55	×	×	●	●
21-4245-04		15	44.8+36.9	40.7+33.8	50+40	50+35	×	×	●	●
21-4245-05		20	56.7+49.9	51.9+45.2	60+50	60+50	×	×	×	●

●: disponible  
 ×: no disponible

### NOTA:

El equipo de calor es un elemento opcional y debe conectarse a la fuente de alimentación por separado. Se recomienda instalar el kit de calentador eléctrico en áreas de baja temperatura o cuando se utilizan tuberías largas.

Verifique si el equipo de calefacción es adecuado para la instalación de posición del sistema de ventilación de 3 vías (AHU).

Las ampacidades para AMC y Ampacidad Máxima del fusible/disyuntor incluyen el motor del ventilador.

Los sistemas de bomba de calor requieren un flujo de aire específico. Cada tonelada de enfriamiento requiere entre 350 y 450 pies cúbicos de aire por minuto (CFM).



## CONSIGNES D'INSTALLATION ETD'UTILISATION


Merci d'avoir acheté ce climatiseur. Veuillez lire attentivement les consignes d'utilisation, avant d'utiliser cet appareil et conservez cette notice pour votre référence.




<b>Consignes de précaution</b> .....	<b>1</b>
<b>Composition du climatiseur</b> .....	<b>3</b>
<b>Dépannage</b> .....	<b>4</b>
<b>Filtre à Air (Non installé en Usine)</b> .....	<b>4</b>
<b>Installation et entretien</b> .....	<b>5</b>
1. Avis de sécurité .....	5
2. Installation de l'unité intérieure .....	5
2.1 Vérification initiale.....	5
2.2 Lieu d'installation.....	6
2.3 Installation .....	6
2.4 Conduite d'air .....	6
3. Tuyauterie du réfrigérant .....	7
3.1 Matériel de la tuyauterie.....	7
3.2 Connexion de la tuyauterie.....	7
4. Tuyauterie de vidange.....	7
5. Câblage électrique .....	8
5.1 Installations électriques.....	8
5.2 Changement de la pression statique.....	9
6. Test de fonctionnement.....	9
7. Informations sur le remplacement du détendeur thermostatique.....	10
8. Tableau de Sélection du Kit de Chauffage Électrique.....	10

### Symbole d'alerte:

 **DANGER** : Le symbole fait référence à un danger pouvant entraîner des blessures graves ou la mort.

 **AVERTISSEMENT** : Le symbole fait référence à un danger ou à une pratique dangereuse qui pourrait entraîner des blessures graves ou la mort.

 **MISE EN GARDE** : Le symbole fait référence à un danger ou à une pratique dangereuse pouvant entraîner des légères blessures, des dommages matériels ou de l'appareil.

**REMARQUE** : Il fait référence aux remarques et instructions sur l'opération, l'entretien et le dépannage du climatiseur.

- L'installation, l'entretien et le dépannage de cet appareil doivent être effectués par un personnel de service qualifié et agréé.
- Lisez attentivement ces instructions avant l'installation ou l'utilisation de l'appareil. Le non-respect de ces instructions peut entraîner une installation, un entretien ou un dépannage incorrect pouvant par ailleurs entraîner un incendie, une électrocution, des dommages matériels, des blessures ou la mort. Avant l'installation, vérifiez si la tension d'alimentation du site d'installation est la même que celle indiquée sur la plaque signalétique.

 **DANGER**

- N'effectuez aucune modification sur ce produit, car, il peut provoquer une fuite d'eau, une panne, un court-circuit, un choc électrique, un incendie, etc.
- Les travaux de tuyauterie, de soudure et autres travaux de ce genre doivent être effectués à l'écart des matériaux inflammables et explosifs, y compris le réfrigérant du climatiseur, pour garantir la sécurité du site.
- Pour protéger le climatiseur d'une forte corrosion, évitez d'installer l'unité extérieure là où elle pourrait entrer en contact avec de l'eau de mer salée ou de l'air sulfureux comme près d'un spa. N'installez pas le climatiseur à proximité des objets générateurs de chaleur trop élevés.

 **AVERTISSEMENT**

- Si le câble d'alimentation est endommagé, il doit être remplacé par le fabricant ou son service après-vente, afin d'écartier tout danger.
- L'endroit où ce produit serait installé doit avoir une installation électrique fiable de mise à terre et des points de protections. Veuillez à ne pas raccorder la mise à terre de ce produit à divers types de conduits d'alimentation en air, tuyaux de vidange, des parafoudres et autres tuyauteries pour éviter les chocs électriques et des dommages causés par d'autres facteurs.
- Le câblage doit être effectué par un électricien qualifié. Tous les raccordements du câblage doivent être conformes aux codes électriques locaux.
- Veuillez prendre en compte la capacité du courant électrique de votre compteur et de votre prise de courant avant l'installation.
- Le fil d'alimentation de l'endroit où ce produit est installé est censé avoir un dispositif de protection contre des fuites indépendantes et un dispositif de protection contre les surcharges de courant électrique adaptés à ce produit.
- Ne jamais utiliser d'essence ou d'autres gaz inflammables à proximité du climatiseur pour éviter tout danger. Lorsque des anomalies telles que des odeurs de brûlure, des déformations, du feu, de la fumée, etc., sont détectées, vous devez arrêter d'utiliser le climatiseur, couper immédiatement sa source d'alimentation principale et contacter votre fournisseur.
- Les 6 premiers pouces du plénum et des conduits d'air d'alimentation doivent être construits en tôle, tel que recommandé par la norme NFPA 90B.
- Le plénum ou le conduit d'air d'alimentation doit avoir une pièce inférieure solide et en tôle directement après l'appareil de traitement de l'air, sans ouverture, registre ou conduit d'air flexible à l'intérieur. Si des conduits d'air flexibles sont utilisés, ils doivent être situés uniquement dans les parois latérales du plénum rectangulaire, à une distance minimale de 6 pouces du fond.

- **Lisez attentivement ce manuel avant d'utiliser ce climatiseur. Si vous avez encore des difficultés ou des problèmes, consultez votre fournisseur pour de l'assistance.**
- **Le climatiseur est conçu pour vous fournir des conditions climatiques confortables dans votre pièce. Utilisez cet appareil uniquement pour les utilisations prévues, comme décrit dans ce manuel.**

### AVERTISSEMENT

#### PROPOSITION 65:

- Cet appareil contient un isolant en fibre de verre. Les particules respirables de fibre de verre sont connues dans l'État de Californie pour causer le cancer.
- Tous les produits du fabricant sont conformes aux directives fédérales actuelles de l'OSHA en matière de sécurité. Les avertissements de la Proposition 65 de l'état de la Californie sont requis pour certains produits, qui ne sont pas couverts par les normes de l'OSHA.
- La Proposition 65 de la Californie exige des mises en garde pour les produits vendus en Californie qui contiennent ou produisent l'un des 600 produits chimiques répertoriés et reconnus par l'État de la Californie comme étant cancérigènes ou causant des anomalies congénitales, à l'instar de l'isolant en fibre de verre, le plomb dans le laiton et les produits de combustion du gaz naturel.
- Tous les « nouveaux équipements » expédiés pour être vendu en Californie auront des étiquettes indiquant que le produit contient et/ou dégage des produits chimiques répertoriés dans la Proposition 65. Bien que nous n'ayons pas changé nos procédés, le fait d'avoir la même étiquette sur tous nos produits facilite la fabrication et l'expédition. Nous ne sommes pas en mesure de savoir « quand, ou si » nos produits seront vendus sur le marché californien.
- Il se peut que vous receviez des demandes de renseignements de la part de clients au sujet de produits chimiques qui se trouvent dans certains de nos équipements de chauffage et de climatisation ou qui sont produits par ceux-ci, ou qui se trouvent dans le gaz naturel utilisé avec certains de nos produits. Vous trouverez ci-dessous la liste des produits chimiques et des substances couramment associés à des équipements similaires dans notre industrie et chez d'autres fabricants.
  - Isolation en laine de verre (fibre de verre)
  - Monoxyde de carbone (CO)
  - Formaldéhyde
  - Benzène
- Plus de détails sont disponible sur les sites web de l'OSHA (Occupational Safety and Health Administration), à travers le lien [www.osha.gov](http://www.osha.gov), et de l'OEHHA (Office of Environmental Health Hazard Assessment) de l'État de Californie, à travers le lien [www.oehha.org](http://www.oehha.org). L'éducation des consommateurs est importante puisque les produits chimiques et les substances figurant sur la liste se retrouvent dans notre vie quotidienne. La plupart des consommateurs savent que les produits présentent des risques pour la sécurité et la santé lorsqu'ils sont utilisés, manipulés et entretenus de manière inappropriée.

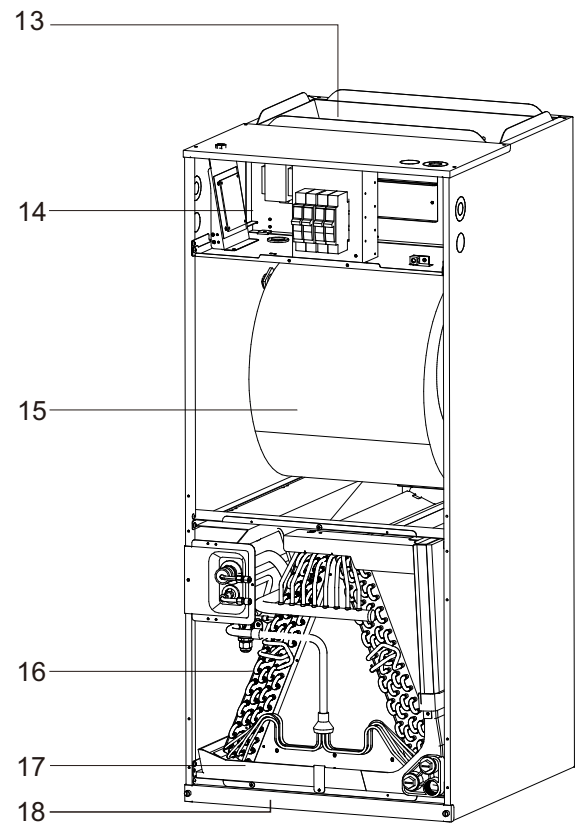
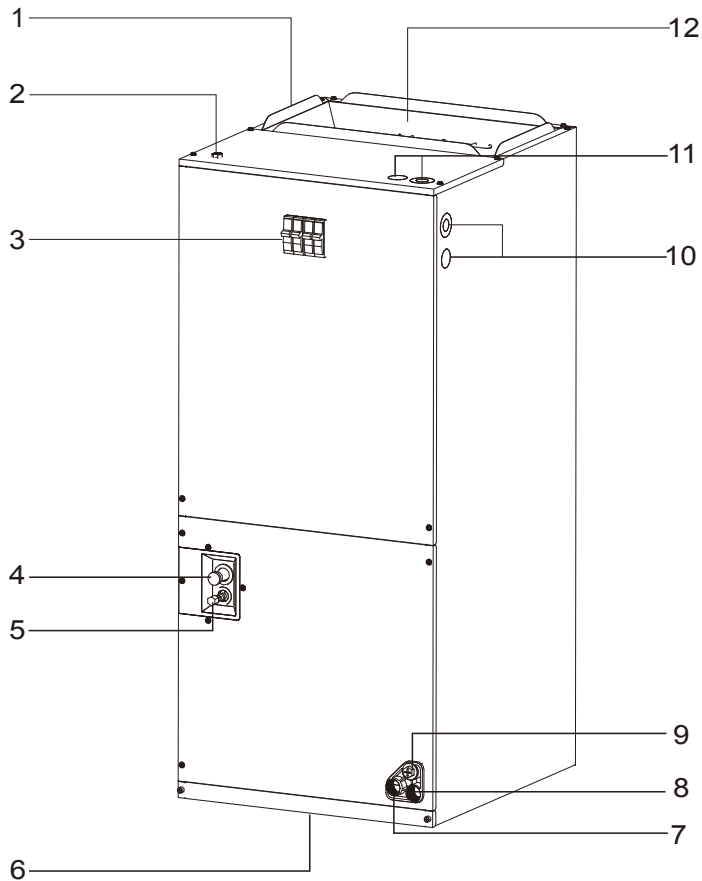
### MISE EN GARDE

- Ne jamais allumer ou éteindre le climatiseur à partir de l'interrupteur principal. Utilisez le bouton d'opération ALLUMER / ETEINDRE.
- Ne rien coller sur l'entrée ou la sortie d'air des unités intérieure et extérieure. Ceci est dangereux car le ventilateur tourne à grande vitesse.
- Ne pas trop refroidir ou chauffer la pièce s'il y a des bébés ou des personnes handicapées dans la pièce.
- Le type et le calibre des disjoncteurs / disjoncteurs différentiels de fuite à la terre sont détaillés ci-dessous.
- Le mode de connexion de l'appareil à l'alimentation électrique et pour l'interconnexion des composants séparés est détaillé ci-dessous.
- Les informations relatives aux dimensions et à l'espace nécessaire pour une installation correcte de l'appareil y compris les distances minimales autorisées par rapport aux structures adjacentes, sont détaillées ci-dessous.
- La plage des pressions statiques externes pour les appareils à conduit est détaillée ci-dessous.
- Rassurez-vous que le support du moteur du ventilateur est bien serré (3 boulons de montage pour moteurs). Vérifier ensuite si la roue est bien fixée à l'arbre du moteur avant de faire fonctionner l'appareil.

#### REMARQUE:

- **Condition de stockage: Température** -13~140°F(-25~60)°C  
**Humidité** 30%~80%

### Unité intérieure



1. Bride de sortie d'air
2. Connexion basse tension (pour 24V)
3. Interrupteur du disjoncteur (Optionnel)
4. Tuyau de réfrigérant (Gaz)
5. Tuyau de réfrigérant (Liquide)
6. Entrée d'air
7. Trou de vidange auxiliaire
8. Trou de vidange
9. Trou de vidange auxiliaire
10. Connexion haute tension
11. Connexion haute tension
12. Sortie d'air
13. Chauffage auxiliaire (Optionnel)
14. Boitier électrique
15. Volute du ventilateur
16. Évaporateur
17. Bac de vidange
18. Cache du filtre

REMARQUE: Les images présentées dans ce manuel sont basées sur l'aperçu externe d'un modèle standard.  
Par conséquent, la forme peut être différente de celle du climatiseur que vous avez sélectionné.

## Dépannage

### ▲ MISE EN GARDE

**En cas du débordement de l'eau de vidange de l'unité intérieure, arrêtez l'opération et contactez votre fournisseur.**

**Si vous sentez ou voyez de la fumée blanche provenant de l'appareil, éteignez l'alimentation principale et contactez votre fournisseur.**

#### 1. Si le problème persiste

Si le problème persiste même après avoir vérifié ce qui suit, contactez votre fournisseur et informez-le des éléments suivants.

- (1) Nom du modèle de l'unité
- (2) Description du problème rencontré

#### 2. L'unité ne fonctionne pas

Vérifiez si REG TEMP est réglé à la bonne température.

#### 3. Ne refroidit ou ne chauffe pas suffisamment

- Vérifiez s'il y a une obstruction du flux d'air des unités extérieures ou intérieures.
- Vérifiez s'il y a plusieurs sources de chaleur dans la pièce.
- Vérifiez si le filtre à air est obstrué par de la poussière.
- Vérifiez si les portes ou les fenêtres sont ouvertes ou non.
- Vérifiez si les conditions de température sont dans la plage de fonctionnement.

#### 4. Ce n'est pas Anormal si

##### • Une odeur sort de l'unité intérieure

Une odeur désagréable se dégage de l'unité intérieure après une longue période. Nettoyez le filtre à air et les panneaux ou assurez une bonne ventilation.

##### • Des vibrations proviennent des pièces déformantes

Lors du démarrage ou de l'arrêt du système, un son peut être entendu. Cependant, cela est dû à la déformation thermique des pièces en plastique. Ce n'est pas anormal.

##### • La vapeur sort de l'échangeur thermique extérieur

Pendant l'opération de dégivrage, de la glace sur l'échangeur thermique extérieur se fond, ce qui produit de la vapeur.

##### • De la rosée sur le panneau d'air

Lorsque l'opération de refroidissement continue pendant une longue période dans des conditions d'humidité élevée, de la condensation peut se produire sur le panneau d'air.

##### • Son de la circulation du réfrigérant

Pendant le démarrage ou l'arrêt du système, le son provenant de la circulation du réfrigérant peut être entendu.

## Filtre à Air

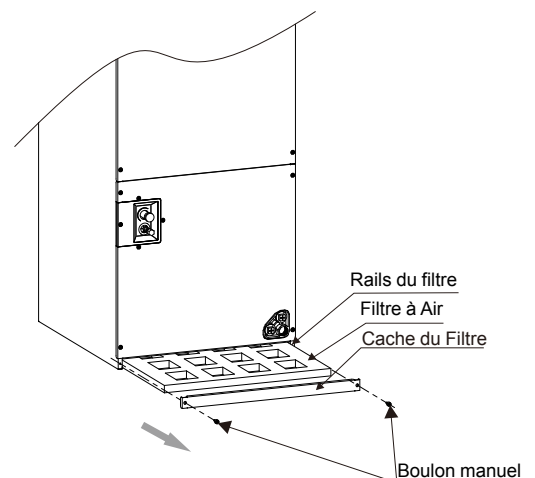
### Filtre à Air (Non installé en Usine)

Merci de remplacer ou de nettoyer le filtre régulièrement, car une grande quantité de poussière s'accumule à la surface du filtre à air au cours du temps.

**Merci de suivre les étapes suivantes pour remplacer soigneusement le filtre:**

Après avoir retiré les deux boulons manuels, ôter le cache du filtre et enlever le filtre de son compartiment, puis insérer le nouveau dans le compartiment le long du rail du filtre, replacer enfin le cache du filtre avec les boulons manuels.

Modèle	Taille du filtre (L x l x H) in.
24K/36K	20×18×1
48K/60K	22×20×1



## 1. Avis de sécurité

### ▲ AVERTISSEMENT

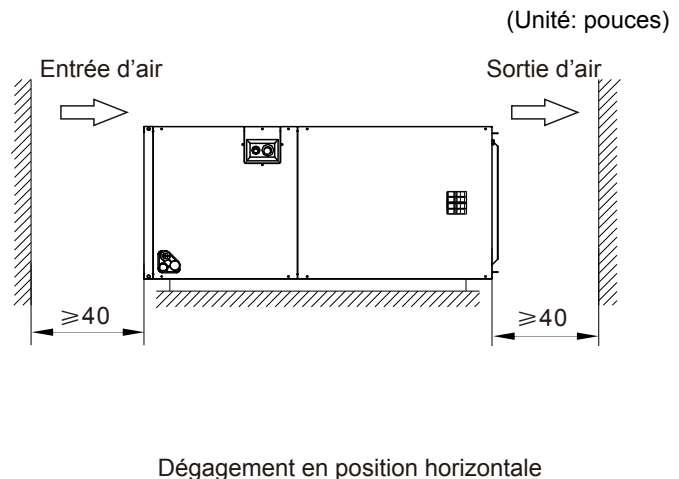
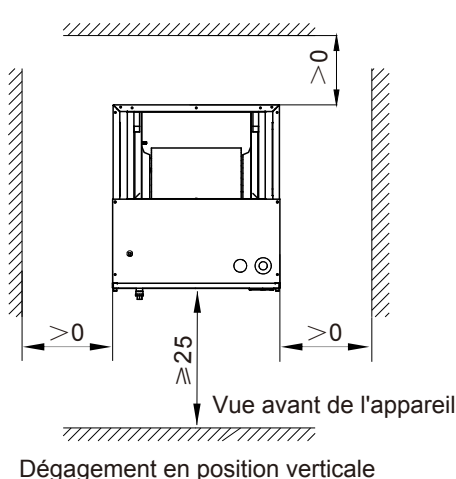
- Installez le climatiseur sur une base solide qui puisse supporter le poids de l'unité. (Une base inadéquate ou une installation incomplète peut entraîner des blessures en cas de chute de l'appareil de son support).
- Les travaux électriques doivent être effectués conformément au manuel d'installation et aux règles ou codes de câblage électrique locales et nationales. (Une capacité insuffisante ou un raccordement électrique incomplet peut causer un choc électrique ou un incendie.)
- Rassurez-vous d'utiliser un circuit d'alimentation dédié. (N'utilisez jamais une alimentation partagée avec un autre appareil.)
- Pour le câblage, utilisez un câble assez long pour couvrir toute la distance sans devoir recourir à l'utilisation des rallonges.
- Ne placez pas d'autres charges sur l'alimentation électrique, et vous êtes conseillé d'utiliser un circuit d'alimentation dédié.
- Utilisez les types de fils spécifiés pour les connexions électriques entre les unités intérieure et extérieure. (Serrez fermement les fils de connexion, afin que les terminaux ne subissent aucune contrainte externe.)
- Des connexions incomplètes ou un serrage mal fait peut provoquer une surchauffe ou un incendie.
- Après avoir raccorder tous les fils, fixez les câbles pour éviter d'exercer une force excessive sur les couvercles ou les panneaux électriques. (Installez les couvercles sur les fils, l'installation incomplète du couvercle peut provoquer une surchauffe des bornes, un choc électrique ou un incendie.)
- Lors de l'installation ou de la relocalisation du système, veillez à ce que le circuit de réfrigérant soit exempt d'air (l'air dans le circuit de réfrigérant peut provoquer une augmentation anormale de la pression ou une rupture, entraînant ainsi des blessures.)
- Si du réfrigérant s'est échappé pendant les travaux d'installation, veillez à aérer la pièce.
- Une fois toutes les installations terminées, vérifiez l'absence de fuite du réfrigérant. (Le réfrigérant produit un gaz toxique s'il est exposé à des flammes.)
- Lorsque vous effectuez la connexion de la tuyauterie, veillez à ne pas laisser entrer des substances d'air autres que le réfrigérant spécifié dans le circuit de réfrigération. (Sinon, cela entraînera une diminution des performances, une pression anormale élevée dans le cycle de réfrigération, une explosion et des blessures.)
- Rassurez-vous que l'installation dispose d'une connexion de mise à terre appropriée. N'installez pas une mise à la terre pour l'unité sur un tuyau d'alimentation, un parafoudre ou une ligne téléphonique. Une mise à la terre incomplète peut provoquer un choc électrique. (Un courant élevé provenant de la foudre ou d'autres sources peut endommager le climatiseur.)
- Un disjoncteur de fuite à la terre peut être requis en fonction de l'état du site pour éviter des chocs électriques.
- Débranchez l'alimentation électrique avant la fin du câblage, de la tuyauterie ou de la vérification de l'unité.

## 2. Installation de l'unité intérieure

### 2.1 Vérification initiale

#### ▲ MISE EN GARDE

- Lorsque vous déplacez l'appareil après l'avoir déballé, n'exercez aucune pression sur les autres pièces, surtout sur la tuyauterie de réfrigérant, la tuyauterie de vidange et les pièces de la bride.
- Portez des équipements de protection lors de l'installation de l'unité.





## 2.2 Lieu d'installation

Avant de choisir le site d'installation, obtenez l'approbation de l'utilisateur.

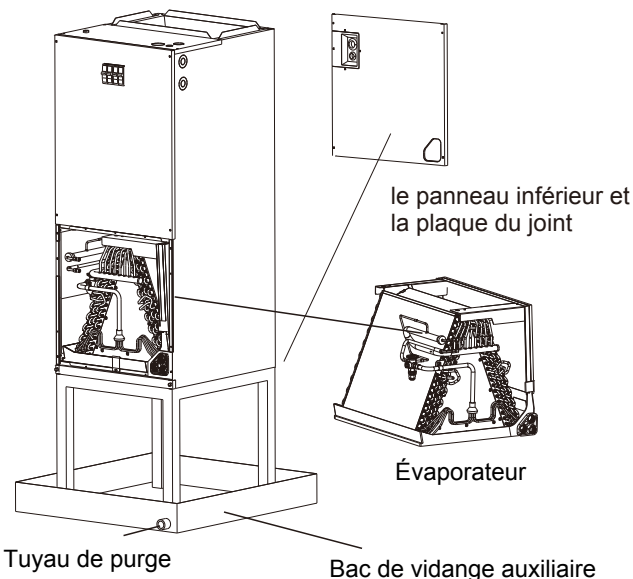
- Une répartition optimale de l'air est assurée.
- L'entrée d'air n'est pas bloquée.
- Le condensat peut s'égoutter correctement.
- Un espace suffisant pour le dépannage et l'entretien est fourni.
- La tuyauterie entre les unités intérieure et extérieure doit se trouver dans les limites autorisées. (reportez-vous à la section sur l'installation de l'unité extérieure)
- L'unité intérieure, l'unité extérieure, le câblage d'alimentation et le câblage de transmission doivent être à au moins 1 mètre des téléviseurs et des postes de radio, ce qui empêche les interférences et le bruit dans ces appareils électriques. (Du bruit peut être généré en fonction des conditions dans lesquelles l'onde électrique est générée, même si un espacement d'un mètre est respecté.)
- N'installez pas l'unité intérieure dans un atelier de machinerie ou une cuisine où la vapeur d'huile ou son brouillard se dirige vers l'unité intérieure. L'huile se dépose sur l'échangeur de chaleur, ce qui réduit les performances de l'unité intérieure qui peut entraîner une déformation et, dans le pire des cas, endommager les pièces en plastique de l'unité intérieure.
- Si l'unité est installée dans un endroit chaud et humide, il est recommandé d'isoler l'extérieur de l'armoire et d'utiliser des bacs de vidange auxiliaire.
- Si installé au-dessus d'un espace habitable fini, un bac de dange auxiliaire (exigé par plusieurs Codes du Bâtiment) doit être installé sous l'unité entière et la ligne de vidange du condensat doit être acheminée vers un endroit tel que l'utilisateur puisse voir l'évacuation du condensat.

## 2.3 Installation

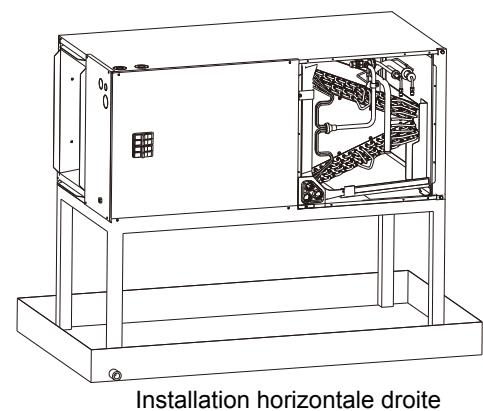
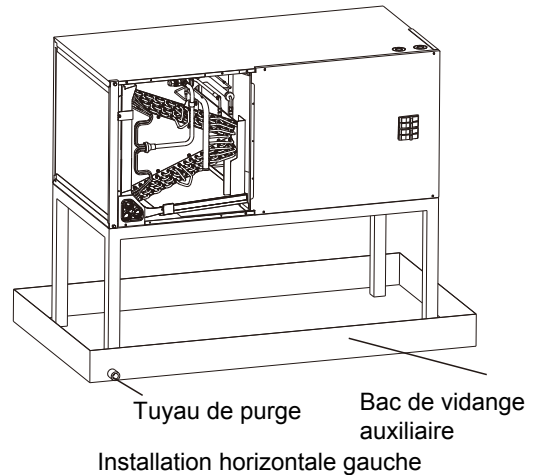
### REMARQUE:

Ces appareils sont conçus pour être installés à l'intérieur seulement.

Les unités intérieures peuvent être installées dans l'une des orientations suivantes, ascendante, horizontale gauche ou horizontale droite, comme indiqué sur les figures ci-dessous.



Installation à flux ascendant



Des légères modifications seront nécessaires sur le terrain pour changer l'orientation en horizontale droite.

La méthode d'installation en flux ascendant est sélectionnée par défaut. Lorsque l'appareil est monté en position horizontale droite, faites-le pivoter vers la droite de 90 degrés, comme indiqué sur l'image d'installation horizontale droite.

Lorsque l'appareil est monté en position horizontale gauche, les étapes suivantes sont nécessaires.

- 1). Démontez le panneau inférieur et la plaque du joint;
- 2). Démontez les clips de fixation de l'évaporateur afin que l'évaporateur puisse être retiré facilement le long du rail de guidage;
- 3). Faites pivoter l'évaporateur de 180 degrés et insérez-le dans la partie supérieure du rail de guidage ;
- 4). Faites pivoter l'unité vers la gauche de 90 degrés, comme indiqué sur l'image d'installation horizontale gauche;
- 5). Réinstallez la plaque du joint et le panneau inférieur.

## 2.4 Conduits d'air

Les conduits doivent être conformes à la norme NFPA 90/NFPA 90B de la National Fire Protection Association et à toute ordonnance locale applicable.

### ▲ AVERTISSEMENT

Ne raccordez en aucun cas le conduit de retour d'air à un autre appareil produisant de la chaleur, tel qu'un foyer encastrable, un poêle, etc. L'utilisation non autorisée de tels appareils peut entraîner un incendie, une intoxication au monoxyde de carbone, une explosion, des blessures ou des dommages matériels.



## Installation et entretien

Les conduits de tôle installés dans des espaces non climatisés doivent être isolés et recouverts d'un pare-vapeur.

Les conduits en fibre peuvent être utilisés s'ils sont construits et installés dans le respect de la norme de construction SMACNA sur les conduits en fibre de verre. Les conduits doivent être conformes aux normes de la National Fire Protection Association, telles que testées par la norme U/L181 pour les conduits d'air de classe I.

Consulter les codes locaux pour connaître les exigences relatives aux conduits et à l'isolation. Le système de conduits doit être conçu dans la plage de pression statique externe à laquelle l'appareil est conçu pour fonctionner. Il est important que le débit d'air du système soit adéquat. Rassurez-vous que les conduits d'alimentation et de retour, les grilles, les filtres spéciaux, les accessoires, etc. sont pris en compte dans la résistance totale du système.

### 3. Tuyauterie du réfrigérant



Utilisez le réfrigérant selon les informations fournies sur la plaque signalétique extérieure.

Lors de la vérification et du test d'étanchéité, il est conseillé de ne pas mélanger l'oxygène, l'acétylène et les gaz inflammables et réactifs, car ces gaz peuvent provoquer une explosion. Il est recommandé d'utiliser de l'azote pour réaliser ces tests.

#### 3.1 Matériel de la tuyauterie

- (1) Préparez le tuyau de cuivre sur place.
- (2) Choisissez un tuyau en cuivre sans poussière, non humide et propre.  
Avant d'installer la tuyauterie, utilisez de l'azote ou de l'air sec pour débarrasser les tuyaux de la poussière et des impuretés.
- (3) Choisissez un tuyau en cuivre selon le manuel de l'unité extérieure.

#### 3.2 Connexion de la tuyauterie

- (1) Les positions de raccordement de la tuyauterie sont illustrées dans la Fig. 3.1.

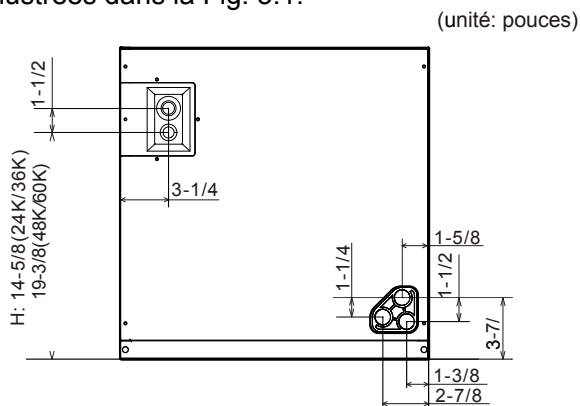


Fig. 3.1 Les positions de raccordement de la tuyauterie

Reportez-vous aux instructions d'installation de l'unité extérieure pour plus de détails sur la sélection de la taille des tuyaux, l'installation des tuyaux et les informations de chargement.

Le serpentin est expédié rempli d'azote. Évacuez-le du système avant de le charger de réfrigérant. Installez les conduites de réfrigérant de manière à ce qu'elles ne bloquent pas l'accès de service à l'avant de l'unité.

L'azote doit circuler dans les conduites de réfrigérant pendant le brasage.

Utilisez un chiffon humide ou une pâte thermique approuvée pour protéger le bulbe de détection du détendeur thermostatique pendant le processus de brasage.

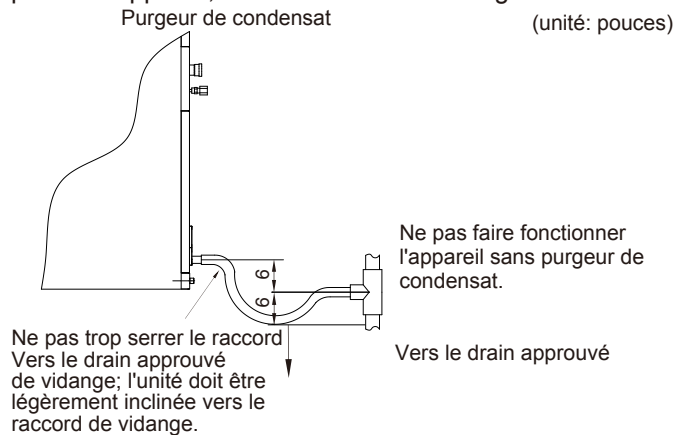
### 4. Tuyauterie de vidange

Les unités intérieures sont équipées d'un champ fourni avec des raccords de vidange 3/4 po. NPT primaires et secondaires.

Lorsque vous effectuez les connexions des raccords de vidange au bac de vidange, utilisez une fine couche de pâte de téflon, de silicone ou de ruban de téflon et réalisez l'installation. Serrez-la à la main.

Ne pas trop serrer les raccords de drainage sur le bac de vidange.

Tous les tuyaux de vidange horizontaux doivent être inclinés vers le bas, à une distance minimale de 1/8 po par pied de l'appareil, afin d'assurer un drainage libre.



Ne connectez pas les tuyaux de vidange directement aux tuyaux d'égout pour éviter l'odeur d'ammoniac. L'ammoniac présent dans les eaux usées pourrait pénétrer dans l'unité intérieure par les tuyaux de vidange et corroder l'échangeur de chaleur. Ne pas tordre ou plier le tuyau de vidange, car l'application d'une force excessive lors de la torsion ou du pliage peut également causer une fuite. Le tuyau de vidange doit être isolé si nécessaire pour éviter la transpiration et les dommages dus à la formation de condensat sur la surface extérieure du tuyau. Une fois l'installation terminée, testez le bac de vidange et le tuyau de vidange. Versez de l'eau dans le bac de vidange, suffisamment pour remplir le purgeur et la conduite de vidange. Maintenir le boîtier à l'horizontale (horizontal gauche ou horizontal droit) pour garantir un drainage régulier, ou incliner le boîtier de 0,5° vers l'orifice de drainage, pour devenir le point le plus bas pour le drainage. Vérifier que le bac de vidange se vide complètement, qu'il n'y a pas de fuites dans les raccords du tuyau de vidange et que l'eau s'écoule à l'autre bout du tuyau de vidange primaire.

#### REMARQUE:

Si l'unité est située dans ou au-dessus d'un espace habitable où des dommages peuvent être causés par un débordement de condensat, un bac à condensat externe fourni sur le champ doit être installé sous l'unité entière, et une conduite de condensat secondaire (avec un purgeur approprié) doit être acheminée de l'unité au bac. Tout condensat se trouvant dans ce bac à condensat externe doit être évacué à un endroit visible. Le propriétaire de la structure doit être informé que lorsque du condensat s'écoule du drain secondaire ou du bac à condensat externe, l'appareil doit être réparé, sinon il y aura des dégâts causés par l'eau.

Installez les purgeurs dans les conduites de condensat aussi près que possible du serpentin.

## 5. Câblage électrique

### 5.1 Installations électriques

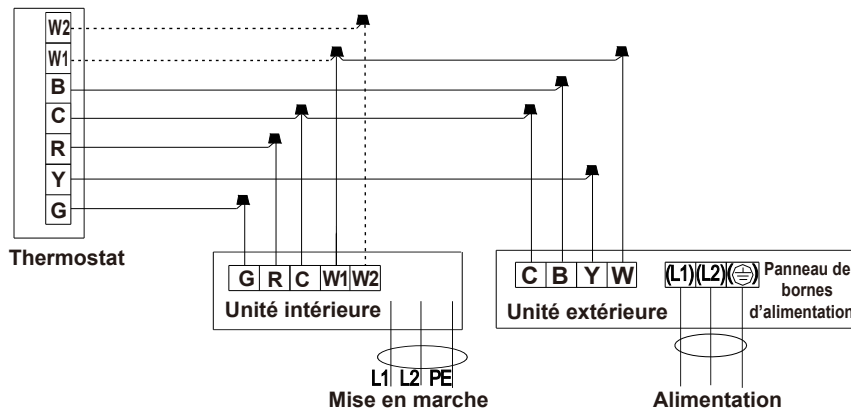
#### ▲ MISE EN GARDE

- Avant de procéder aux raccordements électriques, rassurez-vous que l'alimentation électrique est conforme aux indications de la plaque signalétique de l'appareil. Consultez l'étiquette de câblage de l'appareil pour connaître le câblage haute et basse tension approprié. Effectuez tous les raccordements électriques conformément au NEC et aux codes ou ordonnances locaux applicables. Consulter le NEC (États-Unis) ou la CSA (Canada) pour le dimensionnement des fils. Utiliser uniquement du fil en cuivre.
- Chaque installation doit comporter un dispositif de protection contre les surtensions approuvé par le NEC (États-Unis) ou la CSA (Canada).

#### ▲ AVERTISSEMENT

Débranchez toute alimentation électrique avant de procéder à l'entretien ou à l'installation de cet appareil. Pour éviter les chocs électriques, veuillez-vous assurer que le climatiseur est correctement mis à la terre. Le câblage électrique doit être acheminé par les débouchures prévues à cet effet. Ne pas couper, percer ou modifier le boîtier pour le câblage électrique. Des débouchures sont prévues sur le panneau supérieur de l'unité intérieure et sur les côtés de l'armoire pour permettre l'entrée des conducteurs de tension d'alimentation. Si les débouchures sur les côtés de l'armoire sont utilisées pour les conduits électriques, une bague d'adaptation doit être utilisée pour remplir les exigences de sécurité de la norme UL 1995. Un dispositif de décharge de traction approuvé par le MEC ou le CEC doit être utilisé à ce point d'entrée. Certains codes/municipalités exigent que le fil d'alimentation soit enfermé dans le conduit. Consulter les codes locaux.

### Schéma de câblage



#### REMARQUE:

- 1) Ne pas brancher de ligne en pointillés lorsque le chauffage électrique n'est pas utilisé.
- 2) Le câblage doit être effectué conformément au schéma de câblage collé sur l'unité intérieure.
- 3) Le câble SI entre les unités intérieures et extérieures n'est pas indispensable, surtout lorsque l'unité extérieure est connectée à une unité intérieure d'une marque différente. L'ensemble est moins énergivore lorsque l'unité extérieure est connectée par le câble SI, à une unité intérieure de la même marque.
- 4) Comme le thermostat est intégré, le bornier présent sur le schéma peut différer du bornier réel. La lettre Y est identique à Y1.

### Données électriques

Modèle (Capacité)	Alimentation	ELB		Taille du câble d'alimentation	Taille du câble de transmission	Taille du signal du thermostat	Fusible ou disjoncteur (A)
		Courant nominal (A)	Courant sensible nominal (mA)				
24K/36K /48K/60K	208/230V ~/60Hz	15	30	3×16AWG	5×16AWG	5×18AWG/ 6×18AWG	15

Courant de fonctionnement max. (A): SE RÉFÉRER À LA PLAQUE SIGNALÉTIQUE





## REMARQUE:



- (1) Suivez les codes et règlements locaux lors de la sélection des fils de terrain, et toutes les tailles mentionnées ci-dessus sont les tailles minimales.
- (2) Lorsque la longueur du câble de transmission est supérieure à 262pieds. (80m), il faut choisir une taille de câble plus grande.
- (3) Installez l'interrupteur principal et le disjoncteur différentiel de fuite à la terre pour chaque système séparément. Sélectionnez le disjoncteur différentiel de fuite à la terre de type à haute réponse qui agit en 0,1 seconde.
- (4) Si un chauffage auxiliaire est nécessaire et déjà installé sur l'unité intérieure, le câble de la source d'alimentation doit être installé séparément et la taille doit être choisie conformément à la norme UL.

## 5.2 Changement de la pression statique

La pression statique peut être sélectionnée en changeant les commutateurs DIP sur le tableau électrique.

### Réglage de la pression statique:

Réglage du commutateur DIP S2	Vitesse du Ventilateur	Sélection de la vitesse du ventilateur	Pression statique (W.C.[kPa]) 24K	Pression statique (W.C.[kPa]) 36K	Pression statique (W.C.[kPa]) 48K/60K
ON  OFF 1 2 3 4	2	Faible à moyen (Paramètre par défaut)	0.18[0.045]	0.24[0.057]	0.28[0.07]
ON  OFF 1 2 3 4	3	Moyen	0.25[0.08]	0.4[0.1]	0.4[0.1]
ON  OFF 1 2 3 4	4	Moyen-élevé	0.58[0.145]	0.58[0.145]	0.58[0.145]
ON  OFF 1 2 3 4	5	Haut	0.8[0.2]	0.8[0.2]	0.8[0.2]

**REMARQUE:** Le symbole «  » indique la position de l'interrupteur.  
 Le symbole «  » indique toute position ON ou OFF.

## 6. Test de fonctionnement

Veuillez effectuer un test de fonctionnement conformément au manuel d'installation de l'unité extérieure.

## 7. Informations sur le remplacement du détendeur thermostatique

Veillez suivre les étapes suivantes lors du remplacement du détendeur thermostatique:

1. Démontez le panneau avant.
2. Démontez le bulbe thermique en retirant les bandes de cuivre qui l'entourent.
3. Soudez le tuyau de pression pour le séparer du tuyau de gaz avec un pistolet à souder. Faites attention à ne pas brûler le tuyau de gaz.
4. Soudez le détendeur thermostatique sur la conduite de liquide avec un pistolet à souder. Veillez à ne pas brûler la conduite de liquide.
5. Enveloppez le nouveau détendeur thermostatique avec un morceau de tissu humide pour éviter qu'il ne soit trop chaud et raccordez le flux d'azote à la conduite de liquide pour éviter qu'il ne soit oxydé. Soudez le détendeur thermostatique au tuyau de liquide, et prêtez attention à la direction du détendeur thermostatique, puis soudez le tuyau de pression au tuyau de gaz.
6. Lorsque le tuyau est refroidi après la soudure, la raccorder à l'équipement d'azote 150PSI et contrôler pour des fuites.
7. Fixez le bulbe thermique au tuyau de gaz avec des bandes en cuivre et effectuer des travaux d'isolation.
8. Passez l'aspirateur, mettez le système en marche et l'appareil commencera à refroidir.
9. Lorsque l'unité a fonctionné pendant 20 minutes, ajustez la surchauffe du détendeur thermique à 6°F.
10. Lorsque l'appareil a fonctionné pendant 20 minutes supplémentaires, examinez si la surchauffe est appropriée et notez les chiffres à ce moment-là.

## 8. Tableau de Sélection du Kit de Chauffage Électrique

Modèle du Kit de Chauffage Électrique	Modèle de Traitement	Chauffage Électrique	Courant Min. du Circuit		Ampacité Max. Fusible ou Disjoncteur (HACR)		Vitesse du Ventilateur			
			230VAC	208VAC	230VAC	208VAC	2	3	4	5
21-4245-01	24K	5	28.3	25.9	30	30	●	●	●	●
21-4245-02		7.5	40.7	37.2	45	40	×	●	●	●
21-4245-03		10	53.2	48.5	60	50	×	×	●	●
21-4245-01	36K	5	29.8	27.4	30	30	●	●	●	●
21-4245-02		7.5	42.2	38.7	45	40	×	●	●	●
21-4245-03		10	54.7	49.9	60	50	×	×	●	●
21-4245-04		15	42.2+36.9	38.6+33.8	45+40	40+35	×	×	×	●
21-4245-01	48K/60K	5	31.8	29.4	35	30	●	●	●	●
21-4245-02		7.5	44.8	40.7	45	45	×	●	●	●
21-4245-03		10	56.7	51.9	60	55	×	×	●	●
21-4245-04		15	44.8+36.9	40.7+33.8	50+40	50+35	×	×	●	●
21-4245-05		20	56.7+49.9	51.9+45.2	60+50	60+50	×	×	×	●

●: disponible  
 ×: Indisponible

### REMARQUE :

Le kit de Chauffage est un élément optionnel, et doit être branché à l'alimentation séparément.

Il est recommandé d'utiliser le kit du chauffage électrique dans un endroit où la température est faible ou lorsqu'une grande longueur de tube est nécessaire.

Vérifier si le kit de chauffage convient pour l'installation d'une UTA à 3 voies.

Ampacités pour CMC et le fusible/disjoncteur, inclus le moteur de la ventilation.

Les systèmes de pompe à chaleur nécessitent un débit d'air spécifique. Chaque tonne d'air refroidie nécessite un débit entre 10 et 13 mètres cubes d'air par minute (m<sup>3</sup>/min).









WESTINGHOUSE and INNOVATION YOU CAN BE SURE OF are trademarks of Westinghouse Electric Corporation.  
Used under license by FUJITSU GENERAL AMERICA, INC. All Rights Reserved

Version No. 2169400,B