



Lumen Selectable Independence Series High Bay

PROJECT INFORMATION

JOB NAME	
FIXTURE TYPE	Selectable Independence High Bay
CATALOG NUMBER	
APPROVED BY	

SPECIFICATIONS

Construction:

The ultra compact Independence High Bay's heavy duty construction is made of 14 gauge steel that has a post painted polyester coat finish. The lightweight heat sinks are designed to perform in ambient temperatures up to 50°C. The Quick Wire access panel allows for easy power connection.

Selectable Lumens:

Quick and easy to select and set up. Selectable lumens range from 12,000 / 18,000 / 24,000.

Electrical:

AC Input: 120/208/240/277V 347/480V

Constant current, Class 2 120-277 VAC, 47-63Hz

High Efficiency – min. 88%

Off-State Power: 0 Watts

Temperatures: Min Start: -40°C Max: 50°C

L70 Calculated Life: >200,000 Hours¹

LEDs:

Available in 4000K, 4500K and 5000K, CCT

Listings:

Luminaire is certified to UL/cUL Standards for Damp Locations.

DesignLights Consortium qualified luminaire, eligible for rebates from DLC member utilities.

Testing:

Atlas LED luminaires have been tested by an independent laboratory in accordance with IESNA LM-79 & LM-80.

Installation:

Suitable for suspension by chain, cable, or single (pendant) monopoint. To maintain ambient listing, mount minimum 6" from ceiling.

Warranty:

Five-year limited warranty

Additional Options:

Emergency Back-Up add suffix EB to part number.

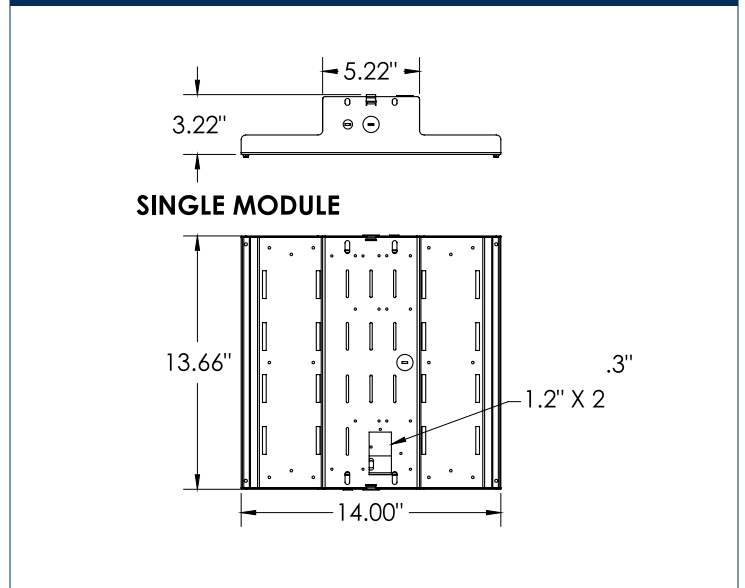


BUY AMERICAN



COMPLIANT*

DIMENSIONS



ACCESSORIES

CATALOG #	DESCRIPTION
CH36	Chain Set
CH36HFC	Chain Set with Hammer-On Flange Clip
CA36	Cable Set
MS360	360° Motion Sensor
IHB-WG	Wireguard

¹LED Life Span Based Upon LM-70 Test Results

Atlas Lighting Products, Inc.

PO Box 2348 | Burlington, NC 27216

800-849-8485 | fax: 1-855-847-2794 | www.atlasled.com

Rebates and Incentives are available in many areas. Contact an Atlas Representative for more information.

*The majority of Atlas Lighting Products are assembled in USA facilities by an American Workforce utilizing both Domestic and Foreign components. Meets Buy American requirements within the ARRA.



Lumen Selectable Independence Series High Bay

ORDERING INFORMATION

IHB	S	12-24L			45K		
PRODUCT SERIES	SELECTABLE	LUMEN PACKAGE	LENS OPTION	MODULES	COLOR TEMP.	VOLTAGE	OPTIONS
IHB = Independence High Bay	S = Selectable	12-24L = 12,000, 18,000, 24,000 Selectable Lumens	Blank = Clear Lens D = Diffused	Blank - Single Module	4K = 4000K 45K = 4500K 5K = 5000K	Blank = 120-277	xC* = 3' Cord (No Plug) xT* = 3' 120V Cord & Plug xE* = 3' 208V Cord & Plug xF* = 3' 240V Cord & Plug xS* = 3' 277V Cord & Plug WG = Wireguard EB = Emergency Back-Up M = Motion Sensor (120/277V) M2 = Motion Sensor (208/240/480V) P = Pendant Mount IC = Integrated Control SP = Surge Protection ALB = Airlink Blue Controls *x = 3 for 3' Cord; 6 for 6' cord, 10 for 10' cord; and 20 for 20' cord lengths

PERFORMANCE DATA

LUMEN PACKAGE	CRI	4000K CCT			4500K CCT			5000K CCT		
		DELIVERED LUMENS	EFFICACY (LPW)	WATTAGE	DELIVERED LUMENS	EFFICACY (LPW)	WATTAGE	DELIVERED LUMENS	EFFICACY (LPW)	WATTAGE
Clear Lens										
12L-24L	80	12,967	158	82.1	12,967	158	82.1	13,011	157	82.8
	80	19,045	152	125.2	19,045	152	125.2	19,110	153	125.2
	80	23,843	146	162.8	23,843	146	162.8	23,924	147	162.8
Diffused Lens										
12L-24L	80	11,587	141	82.2	11,523	139	82.7	11,523	139	82.7
	80	16,954	136	124.9	16,860	135	124.9	16,860	135	124.9
	80	21,281	132	161.5	21,163	131	161.5	21,163	131	161.5

DLC PRODUCT INFORMATION

LUMEN PACKAGE	4000K CCT		4500K CCT		5000K CCT	
	DLC PRODUCT ID	CLASSIFICATION	DLC PRODUCT ID	CLASSIFICATION	DLC PRODUCT ID	CLASSIFICATION
Clear Lens						
12L-24L	PZU3A4BW	Standard	PADR02L0	Standard	P7WZBPPK	Standard
Diffused Lens						
12L-24L	PFYHA83Q	Standard	PB48XYLK	Standard	P3H09EQE	Standard