

**LED Security Floodlight**



Model Number	HGX LED 2RH 40K 120
Light output	2,750 Lumens
Power requirement	120VAC
Electrical Load	25 Watts
Light Color	daylight
Operating Temperature	+/- 40°C



Model Number	HGX LED 2RH ALO 40K 120 PE
Light output High /Low	2,750 / 1,750 Lumens
Power requirement	120VAC
Electrical Load	25 Watts
Operating Temperature	+/- 40°C
Light Color	daylight
Daylight Sensor	Adjustable dial



Model Number	HGX LED 2RH ALO SWW2 120 PE
Light output High /Low	2,750 / 1,800 Lumens
Power requirement	120VAC
Electrical Load	25 Watts
Operating Temperature	+/- 40°C
Adjustable Light Color	warm/daylight/cool
Daylight Sensor	Adjustable dial



Model Number	HGX LED 2SH ALO SWW2 120 PE
Light output High /Low	2,700 / 1,700 Lumens
Power requirement	120VAC
Electrical Load	25 Watts
Operating Temperature	+/- 40°C
Adjustable Light Color	warm/daylight/cool
Daylight Sensor	Adjustable dial



Model Number	HGX LED 3RH ALO SWW2 120 PE
Light output High /Med/Low	4,100 / 2,750 / 1,750 Lumens
Power requirement	120VAC
Electrical Load	36 Watts
Operating Temperature	+/- 40°C
Adjustable Light Color	warm/daylight/cool
Daylight Sensor	Adjustable dial

Protect yourself. Before installing, read the entire instructions carefully and save them for future reference. Date installed: \_\_\_\_\_



SCAN ME

**READ AND FOLLOW THESE SAFETY INSTRUCTIONS!**

- To reduce the risk of death, personal injury or property damage from fire, electric shock, falling parts, cuts/abrasions, and other hazards please read all warnings and instructions included with and on the fixture box and all fixture labels.
- Before installing, servicing, or performing routine maintenance upon this equipment, follow these general precautions.
- Commercial installation, service and maintenance of luminaires should be performed by a qualified licensed electrician.
- For Residential installation: If you are unsure about the installation or maintenance of the luminaires, consult a qualified licensed electrician and check your local electrical code.
- Maintenance of the luminaires should be performed by person(s) familiar with the luminaires' construction and operation and any hazards involved. Regular fixture maintenance programs are recommended.
- This fixture is intended to be connected to a properly installed and grounded UL listed junction box.
- It will occasionally be necessary to clean the outside of the refractor/lens. Refractor/lens should be washed in a solution of warm water and any mild, non-abrasive household detergent, rinsed with clean water and wiped dry. Should optical assembly become dirty on the inside, wipe refractor/lens and clean in above manner, replacing damaged gaskets as necessary.
- **DO NOT INSTALL DAMAGED PRODUCT!** This luminaire has been properly packed so that no parts should have been damaged during transit. Inspect to confirm. Any part damaged or broken during or after assembly should be replaced.
- **Recycle:** For information on how to recycle LED electronic products, please visit [www.epa.gov](http://www.epa.gov).
- These instructions do not purport to cover all details or variations in equipment nor to provide every possible contingency to meet in connection with installation, operation, or maintenance. Should further information be desired or should particular problems arise which are not covered sufficiently for the purchaser's or owner's purposes, this matter should be referred to Acuity Brands Lighting, Inc.

**WARNING  
RISK OF ELECTRIC SHOCK**

- ▶ Disconnect or turn off power before installation or servicing.
- ▶ Verify that supply voltage is correct by comparing it with the luminaire label information.
- ▶ Make all electrical and grounded connections in accordance with the National Electrical Code (NEC) and any applicable local code requirements.
- ▶ All wiring connections should be capped with UL approved wire connectors.

**CAUTION  
RISK OF INJURY**

- ▶ Wear gloves and safety glasses at all times when removing luminaire from carton, installing, servicing or performing maintenance.
- ▶ Avoid direct eye exposure to the light source while it is on.

**WARNING  
RISK OF BURN**

- ▶ Allow lamp/fixture to cool before handling. Do not touch enclosure, lens or light source.
- ▶ Do not exceed maximum wattage marked on luminaire label.
- ▶ Follow all manufacturer's warnings, recommendations and restrictions including but not limited to: driver type, burning position, mounting locations/methods, replacement and recycling.
- ▶ Use only lamps that comply with ANSI standards.

**CAUTION  
RISK OF FIRE**

- ▶ Keep combustible and other materials that can burn, away from lamp/lens.
- ▶ Do not operate in close proximity to persons, combustible materials or substances affected by heat.

**CAUTION  
RISK OF PRODUCT DAMAGE**

- ▶ Never connect components under load.
- ▶ Do not mount or support these fixtures in a manner that can cut the outer jacket or damage wire insulation.
- ▶ Unless individual product specifications deem otherwise: Never connect an LED product directly to a dimmer packs, occupancy sensor, timing device, or other related control devices. LED fixtures must be powered directly off a switched circuit.
- ▶ Unless individual product specifications deem otherwise: Do not restrict fixture ventilation. Allow for some volume of airspace around the fixture. Avoid covering LED fixtures with insulation, foam, or other material that will prevent convection or cooling.
- ▶ Unless individual product specifications deem otherwise: Do not exceed fixtures maximum ambient temperature.
- ▶ Only use fixture in its intended location.
- ▶ LED products are Polarity Sensitive. Ensure proper Polarity before installation.
- ▶ Electrostatic Discharge (ESD): ESD can damage LED fixtures. Personal grounding equipment must be worn during all installation or servicing of unit.
- ▶ Do not touch individual electrical components as this can cause ESD, shorten lamp life, or alter performance.
- ▶ Some components inside the fixture may not be serviceable. In the unlikely event your unit may require service, stop using the unit immediately and contact an ABL representative for assistance.
- ▶ Changes or modifications not expressly approved by Acuity Brands Lighting could void the authority to operate the equipment.
- ▶ Always read the fixtures complete installation instructions prior to installation for any additional fixture specific warnings.

This equipment has been tested and found to comply with the limits for a class B digital device, pursuant to part 15 of the FCC Rules. These limits are designed to provide reasonable protection against harmful interference when used in a residential installation. This equipment generates, uses and can radiate radio frequency energy and, if not installed and used in accordance with the instructions may cause harmful interference to radio communications. However, there is no guarantee that interference will not occur in a particular installation. If this equipment does cause harmful interference to radio or television reception, which can be determined by turning the equipment off and on, the user is encouraged to try to correct the interference by one or more of the following measures:

- Reorient or relocate the receiving antenna.
- Increase the separation between the equipment and receiver.
- Connect the equipment into an outlet on a circuit different from that to which the receiver is connected.
- Consult the dealer or an experienced radio/TV technician for help.

**5-YEAR LIMITED WARRANTY**

Failure to follow any of these instructions could void product warranties. For a complete listing of product Terms and Conditions, please visit [www.acuitybrands.com](http://www.acuitybrands.com). Acuity Brands Lighting, Inc. assumes no responsibilities for claims arising out of improper or careless installation or handling of its products.

**1. PREPARE FOR INSTALLATION**

Remove fixture components and parts pack. Check to ensure all parts are included. **Note:** Account for small parts and destroy packing material, as these may be hazardous to children.

**FIXTURE PACKING LIST**

<u>Part</u>	<u>Description</u>	<u>Quantity</u>
A	Light Fixture.....	1
B	Lamp Head .....	2 or 3
C	Adjustable Daylight sensor (PE models only) .....	1
D	Mounting bracket (pre-installed) .....	1
E	1-1/4"(2H) & 2"(3H) Center Mounting Screw (pre-installed).....	1
F	3/4" #8 & #6 & #10 Mounting Screws* .....	6
G	Wire Nuts*.....	3
H	Rubber Plug*.....	1

\*Contained in parts packs

**Mounting Hardware Included**

**Silicone Sealant Required**

**REQUIRED TOOLS:**



**2. SELECT MOUNTING LOCATION**

For installation to properly installed and grounded UL listed round recessed or surface mounted weatherproof junction box.

Suitable for wall or eave mount. Not suitable for mounting within 4ft (1.2m) from ground.

For models with Daylight Sensor (PE models)

Do **NOT** use with dimmers or timers or on multiple switch circuits.

Do **NOT** install on the same circuit with an electric motor (i.e. appliances, HVAC equipment, washer/dryer, garage door openers, etc.

Do **NOT** install **Nearby large, light-colored objects** reflecting light may trigger the shut-off feature. Do not point other lights at the daylight sensor.

**3. INSTALLING MOUNTING BRACKET**

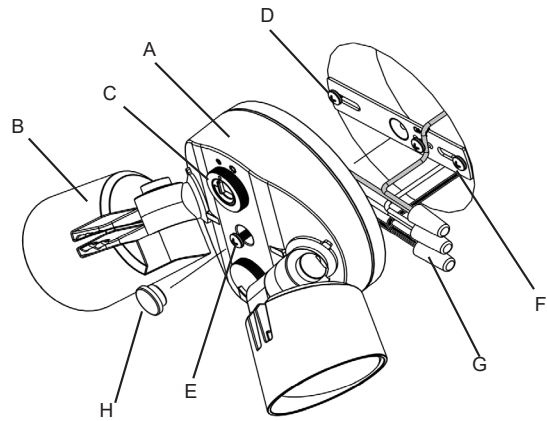
**Turn OFF Power at circuit breaker box**

**CAUTION:** Do not rely on wall switch alone to turn off power.

**Note:** Center mounting screw and bracket are pre-installed on the light fixture for shipping.

- Loosen the center mounting screw (E) and remove the mounting bracket.
- Install the mounting bracket (D) to the junction box using two 3/4" #6 or #8 or #10 mounting screws (F).

**Note:** Choose one of the 3 screw sizes provided depending on your junction box.



**4. CAUTION: WIRING**

**Make sure power is turned off.**

- Use wire nut to connect the bare copper or green house supply ground wire to the green fixture ground wire. **Note:** If house wiring does not include a ground wire, consult your local electrical code for approved grounding methods. **For proper connection, place wire nut over wires and twist clockwise until tight.**
- Use wire nut to connect the white fixture wire to the white (neutral) house supply wire.
- Use wire nut to connect the back fixture wire to the black house supply wire.

**5. MOISTURE SEAL**

- Apply silicone caulking (not included) around the perimeter of the fixture back where it contacts the mounting surface for moisture seal.

**6. FIXTURE INSTALLATION**

- Align fixture over j-box and secure to mounting bracket by tightening center mounting screw (E).

**Note:** Make sure no wires are pinched before tightening.

- Insert rubber plug (H) into center hole to cover the center mounting screw head for moisture seal.

Turn on electricity at fuse or circuit breaker box and verify success of installation.

**Note:** If your model has an adjustable daylight sensor (PE models) position cover as shown to block daylight from entering sensor and allow lights to activate during daytime. See Trouble shooting guide for more info.

**SET DAYLIGHT SENSOR DIAL**



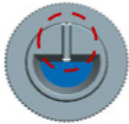
Set dial in this position to allow lights to activate in daytime

**FIXTURE OPERATION**

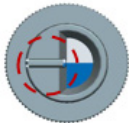
**1. DAYLIGHT SENSOR ADJUSTMENT**

If your model has an adjustable daylight sensor (PE models) position dial to allow lights to activate during daytime. Once you adjusted Brightness and Light Color re-position your dial for dusk-to-dawn/night time operation.

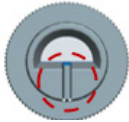
**SET DAYLIGHT SENSOR DIAL**



Set dial in this position to allow lights to activate in daytime



Set dial in this position to activate when there is more surrounding ambient light



Set dial in this position for dusk-to-dawn operation to activate using less ambient light

**2. AIM LAMP HEADS**

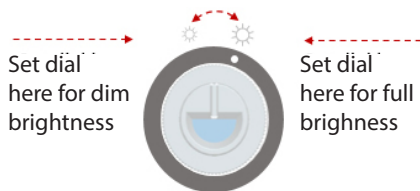
Gently grasp lamp heads (B) and position in desired directions.

**CAUTION - Risk of Shock:** Aim lamp heads at least 20° down below horizontal in order to prevent water from accumulating inside lens.

**3. BRIGHTNESS LEVEL SETTING**

Fixture is preset to full brightness indicated by the larger sun icon above the DIM dial. If lower brightness is desired set DIM dial to small sun icon.

**SET BRIGHTNESS DIAL**

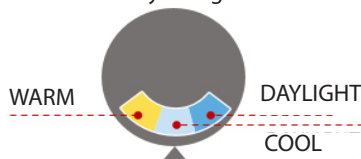


**4. LIGHT COLOR SETTING**

Note: Light color is not adjustable for Accent light, the adjustment is only for lamp heads.

- Set dial to desired light color

**SET LIGHT COLOR DIAL**  
choose your light color



**Trouble Shooting Guide**

If this fixture fails to operate properly, use the guide below to diagnose and correct the problem.

- Verify that power is turned on at switch and breaker
- Verify that fixture is wired properly
- Verify that line voltage is correct (120V)

**Test if Daylight Sensor works properly:**

The Daylight Sensor in the “PE” models is designed to turn on the fixture light at low light levels (Dusk to Dawn) and has a rotatable cover to allow adjustment of light entry.

**If light does not come on or stays on:**

- Close Sensor (Blue window) - Light should come on.
- Open Sensor (clear window) and shine a flashlight into Photocontrol - Light should go off

**If fixture cycles on and off:**

Light reflecting back off any surrounding surfaces, or from other light sources enters the daylight sensor. To correct problem, eliminate reflective surfaces, turn the rotatable cover to reduce the opening or reposition the Light fixture.

If Photocontrol cover is in closed position, it will allow continuous operation of fixture during daylight.

If further technical assistance is required, contact: **Technical Support at: (800) 705-7378**

This LED light provides low maintenance service with no bulbs to change. Clean surfaces with mild soap and water. Do not use abrasive materials such as scouring pads or powders, steel wool or abrasive paper.

**WARNING:** There are no user serviceable parts inside fixture.

**Contractor Resources**

Check out helpful programs, tools, installation videos and more!



**Proyector de seguridad led**



Número de modelo:	HGX LED 2RH 40K 120
Salida de luz	2,750 Lumens
Requisitos de energía	120VAC
Carga eléctrica	25 Watts
Color de luz	luz diurna
Temperatura de funcionamiento	+/- 40°C



Número de modelo:	HGX LED 2RH ALO 40K 120 PE
Salida de luz ajustable alta/baja	2,750 / 1,750 Lumens
Requisitos de energía	120VAC,
Carga eléctrica	25 Watts
Temperatura de funcionamiento	+/- 40°C
Color de luz	luz diurna
Sensor de luz diurna	Dial ajustable



Número de modelo:	HGX LED 2RH ALO SWW2 120 PE
Salida de luz ajustable alta/baja	2,750 / 1,800 Lumens
Requisitos de energía	120VAC,
Carga eléctrica	25 Watts
Temperatura de funcionamiento	+/- 40°C
Color de luz	cálido, luz diurna, frío
Sensor de luz diurna	Dial ajustable



Número de modelo:	HGX LED 2SH ALO SWW2 120 PE
Salida de luz ajustable alta/baja	2,700 / 1,700 Lumens
Requisitos de energía	120VAC,
Carga eléctrica	25 Watts
Temperatura de funcionamiento	+/- 40°C
Color de luz	cálido, luz diurna, frío
Sensor de luz diurna	Dial ajustable




Número de modelo:	HGX LED 3RH ALO SWW2 120 PE
Salida de luz ajustable alta/media/baja	4,100 / 2,750 / 1,750 Lumens
Requisitos de energía	120VAC,
Carga eléctrica	36 Watts
Temperatura de funcionamiento	+/- 40°C
Color de luz	cálido, luz diurna, frío
Sensor de luz diurna	Dial ajustable

Antes de instalar, lea estas instrucciones cuidadosamente y guárdelas para futura referencia.

Fecha Instalada: \_\_\_\_\_

**LEA Y SIGA LAS INSTRUCCIONES DE INSTALACIÓN.**

- Para reducir el riesgo de muerte, lesiones personales o daño a la propiedad que pueda surgir de incendios, choques eléctricos, cortes, abrasiones, caída de partes y otros peligros lea todas las advertencias e instrucciones incluidas en la caja o su interior, además de las etiquetas del montaje.
- Antes de instalar o revisar el equipo, o realizar mantenimiento de rutina, siga estas precauciones generales.
- La instalación, la revisión y el mantenimiento comerciales de las luminarias debe ser realizada por un electricista calificado autorizado.
- En el caso de instalaciones residenciales: Si no está seguro sobre la instalación o el mantenimiento de las luminarias, consulte a un electricista calificado autorizado y verifique el código eléctrico local.
- Este montaje ha sido diseñado para conectarse a una caja de unión aprobada por UL debidamente instalada y puesta a tierra.
- Cada tanto será necesario limpiar la parte externa del refractor y de la lente. La frecuencia de la limpieza dependerá del nivel de polvo del ambiente y de la potencia de la luz mínima aceptable para el usuario. El refractor/la lente se debe lavar con una solución de agua tibia y detergente de uso doméstico suave no abrasivo, enjuagar con agua limpia y secar. Si el montaje óptico se ensuciara por dentro, limpie el refractor o la lente como se indicó anteriormente; de ser necesario, reemplace las juntas dañadas.
- **NO INSTALE EL PRODUCTO SI ESTÁ DAÑADO**
- Reciclado: Para obtener información sobre cómo reciclar productos electrónicos LED, visite [www.epa.gov](http://www.epa.gov).
- Estas instrucciones no pretenden cubrir todos los detalles o las variaciones de los equipos ni abarcar todas las posibles eventualidades relacionadas con la instalación, el funcionamiento o el mantenimiento. Si necesita más información o surgen problemas específicos que no están debidamente cubiertos en la información del producto, remítase a Acuity Brands Lighting, Inc.

 **ADVERTENCIA  
RIESGO DE CHOQUE ELÉCTRICO**

- ▶ Desconecte o interrumpa la energía eléctrica antes de realizar la instalación o la reparación.
- ▶ Verifique que el voltaje de alimentación sea correcto; compárelo con la información de la etiqueta de la luminaria.
- ▶ Realice todas las conexiones eléctricas y a tierra en cumplimiento del Código Eléctrico Nacional y de los requisitos del código local vigente.
- ▶ Todas las conexiones de cableado deben cubrirse con conectores para cable reconocidos y aprobados por UL.

 **PRECAUCIÓN  
RIESGO DE LESIONES**

- ▶ Use gafas y guantes de protección en todo momento al retirar la luminaria de la caja, al instalarla, repararla o realizar operaciones de mantenimiento.
- ▶ Una vez encendida la fuente de luz, evite la exposición directa con los ojos.

 **ADVERTENCIA  
RIESGO DE QUEMADURAS**

- ▶ Antes de manipular el montaje, déjelo enfriar. No toque la carcasa ni la fuente de iluminación.
- ▶ No supere el voltaje máximo señalado en la etiqueta de la luminaria.
- ▶ Respete todas las advertencias, recomendaciones y restricciones que proporciona el fabricante para: tipo de conductor, posición de funcionamiento, puntos o métodos de montaje, reemplazo y reciclado.
- ▶ Use sólo lámparas que cumplan los estándares ANSI.

 **PRECAUCIÓN  
RIESGO DE INCENDIO**

- ▶ Mantenga lejos de la luminaria y de las lámparas/lentes, los materiales combustibles y de otro tipo que se puedan incendiar.
- ▶ No las encienda cerca de personas, materiales combustibles o sustancias inflamables.

 **PRECAUCIÓN  
RIESGO DE DAÑO PARA EL PRODUCTO**

- ▶ Jamás conecte componentes bajo carga.
- ▶ No monte estos montajes de manera que puedan cortar el revestimiento exterior o dañar el aislamiento de los cables.
- ▶ A menos que las especificaciones del producto individual consideren lo contrario: jamás conecte un producto LED directamente a un paquete de reducción de intensidad de la luz, sensores de ocupación, dispositivos de temporización ni demás dispositivos de control relacionados. Los montajes LED se deben apagar directamente de un circuito de interruptores.
- ▶ A menos que las especificaciones del producto individual consideren lo contrario: no limite la ventilación del montaje. Deje un poco de espacio alrededor del montaje. Evite cubrir los montajes LED con aislación, goma u otro material que evitará la convección o el enfriamiento de la conducción.
- ▶ A menos que las especificaciones del producto individual consideren lo contrario: no supere la temperatura ambiente máxima para el montaje.
- ▶ Use el montaje sólo en la ubicación para la que está diseñado.
- ▶ Los productos LED son sensibles a la polaridad. Asegure la correcta polaridad antes de la instalación.
- ▶ Descarga electrostática (DES): la DES puede dañar los montajes LED. Durante la instalación o reparación de la unidad se debe usar siempre equipo personal conectado a tierra.
- ▶ No toque componentes eléctricos individuales ya que esto puede causar DES, reducir la vida útil de la lámpara o alterar el funcionamiento.
- ▶ Es posible que algunos componentes dentro del montaje no se puedan reparar. En el caso improbable de que su unidad requiera reparación, deje de usar la unidad inmediatamente y comuníquese con un representante de ABL para obtener ayuda.
- ▶ Los cambios o modificaciones no aprobados expresamente por Acuity Brands Lighting pueden anular la autoridad del usuario para usar el equipo.
- ▶ Lea siempre las instrucciones de instalación completa de montaje antes de la instalación para verificar si hay advertencias específicas de montaje adicionales.

Este equipo se ha probado y se ha encontrado para conformarse con los límites para un dispositivo de la clase B digital, conforme a la parte 15 de las reglas de la FCC. Estos límites se diseñan para proporcionar la protección razonable contra interferencia dañosa cuando están utilizados en una instalación residencial. Este equipo genera, las aplicaciones y puede irradiar energía de la radiofrecuencia. Si no instalado y utilizado de acuerdo con el manual de la instrucción, este equipo puede causar interferencia dañosa a las comunicaciones por radio. La operación está conforme a las dos condiciones siguientes.

Sin embargo, no se puede garantizar que no se produzcan interferencias perjudiciales para la recepción de las señales de radio o televisión, las que pueden detectarse al encender y apagar el equipo, el usuario debe intentar corregirlas por medio de una de las siguientes medidas:

- Orientar la antena receptora en otra dirección o ubicarla en otro sitio.
- Aumentar la separación entre el equipo y el receptor.
- Conectar el equipo a una toma de corriente de un circuito diferente del que esté conectado al receptor.
- Solicitar ayuda al comerciante o a un técnico experto en radio/TV.

**GARANTÍA LIMITADA POR 5 AÑOS**

El incumplimiento de alguna de estas instrucciones puede anular la garantía del producto. Para obtener la lista completa de los términos y las condiciones respecto al producto, visite [www.acuitybrands.com](http://www.acuitybrands.com). Acuity Brands Lighting, Inc. no se hace responsable por los reclamos que puedan surgir de la instalación o manipulación inadecuada o negligente de sus productos.

## 1. PREPARACIÓN PARA LA INSTALACIÓN

Quite los componentes del luminario y el paquete de piezas. Verifique que todas las piezas estén incluidas. **Nota:** Tenga cuidado con las piezas pequeñas y destruya el material de embalaje, ya que pueden ser peligrosos si están al alcance de niños.

### LISTA DE EMBALAJE

Descripción	Cantidad
A Luminaria.....	1
B Cabezal de la lámpara .....	2
C Sensor de luz diurna ajustable (solo modelos PE) .....	1
D Soporte de montaje (preinstalado) .....	1
E Tornillo de montaje central de 2" n.º 8 (preinstalado) .....	1
F Tornillos de montaje de 3/4" n.º 8, n.º 6 y n.º 10* .....	6
G Tuercas para cables* .....	3
H Tapón de goma* .....	1

\*Contenido en el paquete de piezas

**Herraje de Montaje Incluido**  
Requiere Sellador de Silicona

### HERRAMIENTAS REQUERIDAS



## 2. SELECCIÓN DEL LUGAR DE MONTAJE

Para su instalación en una caja de conexiones redonda, empotrada o montada en superficie, debidamente instalada y conectada a tierra, con certificación UL, resistente a la intemperie.

Apto para montaje en pared o en alero. No apropiado para montarse a una distancia de menos de 4 ft (1,2 m) del suelo.

**Para modelos con sensor de luz diurna (modelos PE)**

**NO** use con reductores de intensidad de luz, con temporizadores ni en circuitos de interruptores múltiples.

**NO** instale en el mismo circuito de un motor eléctrico (por ejemplo: electrodomésticos, equipo de calefacción/aire acondicionado, lavadora/ secadora, dispositivos para abrir la puerta del garaje, etc.).

**NO** instale cerca de objetos grandes y de colores claros que reflejen la luz, ya que pueden activar la función de apagado. No oriente otras luces hacia el sensor de luz diurna.

## 3. INSTALACIÓN DEL SOPORTE DE MONTAJE

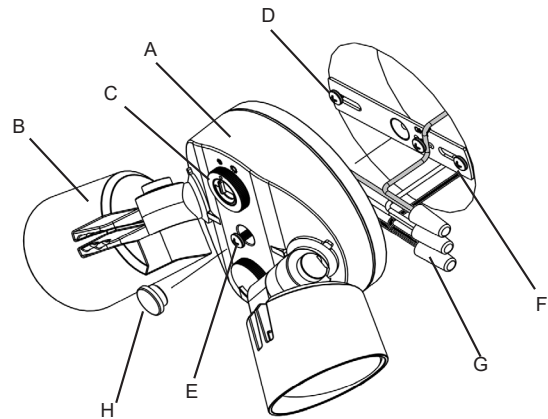
**DESCONECTE** la energía eléctrica de la caja del disyuntor

**PRECAUCIÓN:** No dependa solo del interruptor de pared para desconectar la energía eléctrica.

**Nota:** El soporte y el tornillo de montaje central están preinstalados en la luminaria para su envío.

- Afloje el tornillo de montaje central (E) y retire el soporte de montaje.
- Instale el soporte de montaje (D) en la caja de conexiones con dos tornillos de montaje de 3/4" n.º 6, n.º 8 o n.º 10 (F).

**Nota:** Elija uno de los tres tamaños de tornillos proporcionados según su caja de conexiones.



## 4. PRECAUCIÓN: CABLEADO

**Asegúrese de que la energía eléctrica esté desconectada.**

- Utilice la tuerca para conexión de cables para conectar el cable de conexión a tierra de suministro de la casa verde o de cobre desnudo con el cable de conexión a tierra verde del accesorio. **Nota:** Si el cableado de la casa no incluye cables de conexión a tierra, consulte su código eléctrico local para informarse sobre los métodos de conexión a tierra aprobados.

**Para lograr una conexión adecuada, coloque la tuerca para cables sobre estos y gire a la derecha hasta ajustar.**

- Utilice una tuerca para conexión de cables para conectar el cable blanco de la luminaria con el cable de suministro blanco de la casa (neutro).
- Utilice una tuerca para conexión de cables para conectar el cable negro de la luminaria con el cable de suministro negro de la casa.

## 5. SELLO DE HUMEDAD

- Aplique masilla de silicona (no incluida) alrededor del perímetro del artefacto que entra en contacto con la superficie de montaje para lograr un sello de humedad.

## 6. INSTALACIÓN DE LA LUMINARIA

- Alinee la luminaria sobre la caja de conexiones y fije en el soporte de montaje ajustando el tornillo de montaje (E).

**Nota:** Asegúrese de no pellizcar los cables antes de ajustar.

- Inserte el tapón de goma (H) en el orificio central para cubrir la cabeza del tornillo de montaje central y lograr un sello de humedad.

Active la electricidad desde la caja de fusibles o el disyuntor y verifique que el interruptor de pared esté encendido.

**Nota:** La luz no se encenderá mientras haya luz diurna. Faire l'essai de l'appareil le soir ou couvrir la cellule photoélectrique.

- Coloque el selector en esta posición para permitir que las luces se activen durante el día.

### CONFIGURACIÓN DEL SELECTOR DEL SENSOR DE LUZ DIURNA



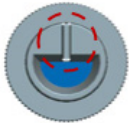
Coloque el selector en esta posición para permitir que las luces se activen durante el día.

## FUNCIONAMIENTO DE LA LUMINARIA

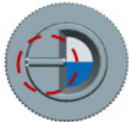
### 1. CONFIGURACIÓN DEL SENSOR DE LUZ DIURNA

En caso de que su modelo disponga de un sensor de luz diurna ajustable (modelos PE), posicione el selector para permitir que las luces se activen durante el día. Una vez que haya regulado el brillo y el color de la luz, vuelva a configurar el selector para que las luces se activen desde el atardecer hasta el amanecer y durante la noche.

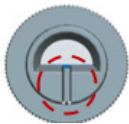
#### CONFIGURACIÓN DEL SELECTOR DEL SENSOR DE LUZ DIURNA



Coloque el selector en esta posición para permitir que las luces se activen durante el día.



Coloque el selector en esta posición para que se activen cuando haya más luz ambiental en el entorno.



Ponga el selector en esta posición para que se active el funcionamiento desde el atardecer hasta el amanecer con menos luz ambiental.

### 2. ORIENTE LOS CABEZALES DE LAS LÁMPARAS

Sujete con cuidado los cabezales de las lámparas (B) y colóquelos en las direcciones deseadas.

**PRECAUCIÓN: Riesgo de descarga.** Dirija los cabezales de las lámparas al menos 20° hacia abajo por debajo de la línea horizontal para evitar que el agua se acumule dentro de la lente.

### 3. CONFIGURACIÓN DEL NIVEL DE BRILLO

La luminaria viene preconfigurada con la máxima luminosidad. Este ajuste se indica con el icono del sol más grande sobre el selector de atenuación DIM. Si se desea un brillo más bajo, ajuste el selector de atenuación DIM hacia el icono del sol pequeño.

#### CONFIGURACIÓN DEL SELECTOR DE BRILLO

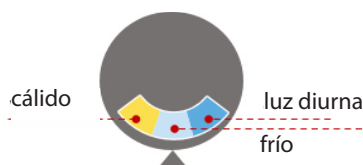


### 4. CONFIGURACIÓN DEL COLOR DE LA LUZ

- Coloque el selector en el color de luz deseado.

#### CONFIGURACIÓN DEL SELECTOR DEL COLOR DE LA LUZ

elija el color de la luz.



## Guía de Localización de Averías

Si este luminario falla de operar apropiadamente, use la siguiente guía para diagnosticar y corregir el problema.

- Verifique que el luminario este alambrado apropiadamente
- Verifique que el luminario este conectado tierra correctamente
- El voltaje de la línea en el luminario este correcto

**El control fotográfico en los modelos "PE" está diseñado para encender la luz de montaje a un nivel bajo de luz (del atardecer al amanecer) y tiene una cubierta giratoria para permite ajustar cuánta luz entra.**

**Prueba si el Fotocontrol esta trabajando correctamente**

**Si la luz no enciende o se mantiene encendida:**

- Cubra el Fotocontrol - La luz deberá encenderse.
- Brille una linterna en el Fotocontrol - La luz deberá apagarse.

**Si el luminario enciende y apaga en ciclos:**

La luz reflejada en cualquier superficie cercana o que proviene de otras fuentes de luz ingresa en el control fotográfico. Para corregir el problema, elimine las superficies reflectantes y gire la cubierta del control fotográfico para reducir la apertura o cambiar la posición del montaje.

Si la cubierta del control fotográfico está en la posición cerrada, permitirá el funcionamiento continuo del montaje durante el día.

Si requiere ayuda adicional, contacte:

**Technical Support al: (800) 705-7378**

Esta lámpara LED con detector de movimiento necesita muy poco mantenimiento y no es necesario cambiar los focos. Limpie las superficies con un limpiador suave no abrasivo.

**ADVERTENCIA:** La cabeza de la lámpara no contiene piezas que el usuario puede reparar. No retire ni desarme la cabeza de la lámpara. Esto anularía la garantía.

#### Recursos del contratista

¡Vea programas útiles, herramientas, videos de instalación y más!





## Projecteur de sécurité de plein air à LED



Numéro des modèle	HGX LED 2RH 40K 120
Puissance lumineuse	2,750 Lumens
Puissance nécessaire	120VAC
Charge électrique	25 Watts
Couleur de lumière	lumière du jour
Température de fonctionnement	+/- 40°C



Numéro des modèle	HGX LED 2RH ALO 40K 120 PE
Puissance lumineuse réglable haut/bas	2,750 / 1,750 Lumens
Puissance nécessaire	120VAC
Charge électrique	25 Watts
Température de fonctionnement	+/- 40°C
Couleur de lumière	lumière du jour
Détecteur de lumière du jour	Cadran réglable



Numéro des modèle	HGX LED 2RH ALO SWW2 120 PE
Puissance lumineuse réglable haut/bas	2,750 / 1,800 Lumens
Puissance nécessaire	120VAC
Charge électrique	25 Watts
Température de fonctionnement	+/- 40°C
Couleur de lumière	Chaude, lumière du jour, froide
Détecteur de lumière du jour	Cadran réglable



Numéro des modèle	HGX LED 2SH ALO SWW2 120 PE
Puissance lumineuse réglable haut/bas	2,700 / 1,700 Lumens
Puissance nécessaire	120VAC
Charge électrique	25 Watts
Température de fonctionnement	+/- 40°C
Couleur de lumière	Chaude, lumière du jour, froide
Détecteur de lumière du jour	Cadran réglable



Numéro des modèle	HGX LED 3RH ALO SWW2 120 PE
Puissance lumineuse réglable haut/moyen/bas	4,100 / 2,750 / 1,750 Lumens
Puissance nécessaire	120VAC
Charge électrique	36 Watts
Température de fonctionnement	+/- 40°C
Couleur de lumière	Chaude, lumière du jour, froide
Détecteur de lumière du jour	Cadran réglable

Pour votre propre protection. Avant de procéder à l'installation, veuillez lire attentivement ces directives et les conserver pour référence ultérieure. Date de l'installation : \_\_\_\_\_

**VEUILLEZ LIRE ET RESPECTER TOUTES LES CONSIGNES DE SÉCURITÉ!**

- Afin de réduire le risque de blessures personnelles ou de mort, ou d'endommager le matériel en raison d'un incendie, d'un choc électrique, de la chute de pièces, de coupures/abrasions ou de tout autre danger, lisez tous les avertissements et instructions compris dans et sur la boîte de la fixation et toutes ses étiquettes.
- Avant d'installer, d'entretenir ou de réaliser une maintenance de routine sur cet équipement, tenez compte de ces précautions générales.
- L'installation commerciale, l'entretien et les réparations des lampes ne devraient être effectuées que par un électricien diplômé et qualifié.
- Pour les installations résidentielles : Si vous avez des doutes quant à l'installation ou l'entretien des lampes, consultez un électricien diplômé et qualifié et vérifiez votre code de l'électricité local.
- Ce luminaire est conçu pour être connecté à une boîte de jonction certifiée UL, correctement installée et mise à la terre.
- Il sera occasionnellement nécessaire de nettoyer la partie extérieure du réflecteur/de la lentille. Le réflecteur/la lentille doit être lavé(e) dans une solution d'eau tiède et avec un détergent ménager doux et non abrasif, puis rincé(e) à l'eau claire et essuyé(e). En cas d'accumulation de saletés à l'intérieur de l'ensemble optique, essuyez le réflecteur/la lentille et nettoyez comme indiqué ci-dessus, en remplaçant les joints endommagés selon le besoin.
- **N'INSTALLEZ PAS UN PRODUIT ENDOMMAGÉ !**
- Recyclage : pour des informations sur la manière de recycler les produits électroniques à DEL, veuillez vous rendre sur [www.epa.gov](http://www.epa.gov).
- Ces instructions ne sont pas censées couvrir tous les détails ou variations de l'équipement ni fournir toutes les éventualités possibles en ce qui concerne l'installation, l'utilisation ou l'entretien. Si des informations supplémentaires devaient s'avérer nécessaires, ou si des problèmes particuliers se présentent et ne sont pas suffisamment repris pour l'acheteur ou du propriétaire, il conviendra de contacter Acuity Brands Lighting, Inc à ce sujet.

**AVERTISSEMENT  
RISQUE DE CHOC ÉLECTRIQUE**

- ▶ Débranchez ou coupez l'alimentation avant l'installation ou l'entretien.
- ▶ Vérifiez que la tension d'alimentation est correcte en la comparant avec les informations sur l'étiquette de la lampe.
- ▶ Réalisez tous les raccordements électriques et de masse conformément aux exigences du Code national de l'électricité et de tout code local applicable.
- ▶ Tous les raccordements câblés doivent être faits avec des connecteurs de câbles certifiés UL.

**ATTENTION  
RISQUE DE BLESSURE**

- ▶ Portez des gants et des lunettes de protection en permanence lorsque vous retirez la lampe du carton et que vous procédez à l'installation, à l'entretien ou à des réparations.
- ▶ Évitez le contact direct des yeux avec la source de lumière lorsqu'elle est allumée.

**AVERTISSEMENT  
RISQUE DE BRÛLURE**

- ▶ Laissez refroidir la fixation avant de la manipuler. Ne touchez pas l'enceinte ou la source de lumière.
- ▶ Ne dépassez pas la puissance maximum indiquée sur l'étiquette de la lampe.
- ▶ Respectez tous les avertissements, recommandations et restrictions du fabricant de lampe pour le circuit d'attaque, la position de fonctionnement, les méthodes/endroits de montage, le remplacement et le recyclage.
- ▶ Utilisez uniquement les lampes qui sont conformes aux normes ANSI.

**ATTENTION  
RISQUE D'INCENDIE**

- ▶ Conservez les matériaux combustibles et tout autre élément pouvant prendre feu à l'écart de la lampe/lentille.
- ▶ Ne l'utilisez pas à proximité de personnes, de matériaux combustibles ou de substances affectées par la chaleur.

**ATTENTION  
RISQUE D'ENDOMMAGEMENT DU PRODUIT**

- ▶ Ne connectez jamais des composants sous charge.
- ▶ Ne montez ni soutenez pas ces fixations d'une manière qui pourrait sectionner la gaine extérieure ou endommager l'isolation de câble.
- ▶ Sauf si contraire aux spécifications du produit individuel : ne connectez jamais un produit à DEL directement à des packs de gradation de la lumière, des capteurs d'occupation, des dispositifs de minuterie ou d'autres dispositifs de commande liés. Les fixations DEL doivent être alimentées directement hors d'un circuit à interrupteur.
- ▶ Sauf si contraire aux spécifications du produit individuel : Sauf si contraire aux spécifications du produit individuel : ne pas limiter la ventilation de la fixation. Laissez un espace libre suffisant autour de la fixation. Évitez de couvrir les fixations DEL avec de l'isolation, de la mousse ou d'autres matériaux qui empêcheront le refroidissement de convection ou de conduction.
- ▶ Sauf si contraire aux spécifications du produit individuel : ne pas dépasser la température ambiante maximum à laquelle les fixations sont exposées.
- ▶ N'utilisez la fixation que dans l'emplacement prévu à cet effet.
- ▶ Les produits à DEL sont sensibles à la polarité. Assurez-vous que la polarité est correcte avant l'installation.
- ▶ Décharge électrostatique (DES) : les DES peuvent endommager les fixations DEL. Un équipement de mise à la masse personnel doit être porté lors de toute installation ou entretien de l'unité.
- ▶ Ne touchez pas les composants électriques individuels car cela peut causer une DES, réduire la durée de vie de la lampe ou altérer ses performances.
- ▶ Certains composants à l'intérieur de la fixation peuvent ne pas être réparables. Dans le cas peut probable où votre unité aurait besoin d'être réparée, arrêtez immédiatement d'utiliser l'unité et contactez un représentant ABL pour obtenir de l'aide.
- ▶ Les changements ou les modifications qui ne sont pas expressément approuvés par Acuity Brands Lighting pourraient rendre nulle et non avenue l'autorisation d'utiliser ce matériel.
- ▶ Lisez toujours les instructions d'installation complètes des fixations avant l'installation pour les autres avertissements spécifiques de la fixation.

cet équipement a été testé et respecte les limites des normes relatives aux articles numériques de Classe B établies dans la partie 15 du règlement de la FCC. Ces limites ont été établies pour offrir une protection raisonnable contre les interférences nuisibles dans les installations résidentielles. Cet appareil génère, utilise et peut émettre de l'énergie de radio fréquence. S'il n'est pas installé de manière conforme aux instructions, il peut causer des interférences nuisibles aux communications radio. Il n'est toutefois pas garanti que de l'interférence ne se produira pas dans une installation dommée. Si cet équipement cause de l'interférence nuisibles à la réception radiophonique ou télévisuelle, ce qui peut être déterminé en allumant et en éteignant l'équipement, l'utilisateur est encouragé à suivre l'une ou l'ensemble des mesures suivantes pour corriger l'interférence :

- Réorienter ou déplacer l'antenne réceptrice.
- Accroître la séparation entre l'équipement et le récepteur.
- Brancher l'équipement sur une prise utilisant un circuit d'alimentation différent de celui sur lequel le récepteur est connecté.
- Demander l'aide du concessionnaire ou d'un technicien expert dans les la radio et de la télévision.

**GARANTIE LIMITÉE DE 5 ANS**

Tout manquement au respect de ces instructions pourrait rendre nulles les garanties. Pour une liste complète des conditions générales du produit, veuillez vous rendre sur [www.acuitybrands.com](http://www.acuitybrands.com). Acuity Brands Lighting, Inc. n'assume aucune responsabilité pour les réclamations découlant d'une installation ou d'une manipulation incorrectes ou négligentes de ses produits.

## 1. SE PRÉPARER AVANT L'INSTALLATION

Retirer les composants de l'appareil et l'emballage des pièces. S'assurer que toutes les pièces sont incluses. **Note:** Faites attention aux petites pièces et détruisez le matériel d'emballage car ils pourraient être dangereux pour les enfants.

### LISTE DES PIÈCES

Description	Quantité
A Luminaire.....	1
B Tête de lampe .....	2 or 3
C Détecteur de lumière du jour réglable (modèles PE seulement) .....	1
D Support de montage (préinstallé).....	1
E Vis de montage central 2 po no 8 (préinstallée).....	1
F Vis de montage 3/4 po no 8, no 6 et no 10* .....	6
G Capuchons de connexion*.....	3
H Bouchon en caoutchouc*.....	1

\*Compris dans l'emballage de pièces

**Quincaillerie de montage comprises**  
**Joint d'étanchéité à la silicone requis**

### OUTILS REQUIS



## 2. CHOISIR L'EMPLACEMENT DE MONTAGE

Pour une installation sur une boîte de jonction ronde, encastrée ou en surface, résistante aux intempéries, correctement installée et mise à la terre, certifiée UL.

Convient à un montage au mur ou d'avant-toit. Ne convient pas au montage à moins de 1,2 m (4 pi) du sol.

Pour les modèles avec détecteur de lumière du jour (modèles PE)

Ne **PAS** utiliser avec des gradateurs ou des circuits va-et-vient.

Ne **PAS** installer sur le même circuit qu'un moteur électrique (c.-à-d. électroménager, équipement CVCA, sèche-linge/lave-linge, système d'ouverture de garage).

Ne **PAS** installer à proximité d'objets de grande taille et de couleur claire réfléchissant la lumière et pouvant éteindre l'appareil.

Ne pas diriger d'autres sources de lumière vers le détecteur de lumière du jour.

## 3. INSTALLATION DU SUPPORT DE MONTAGE

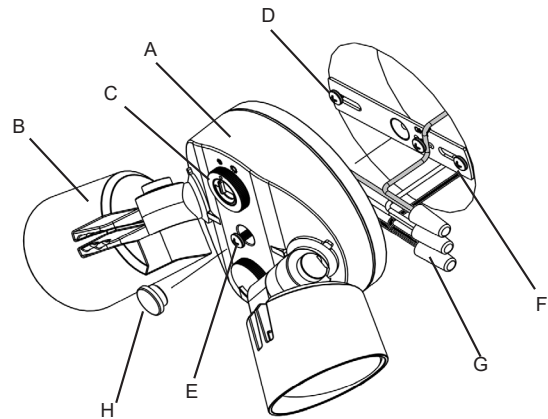
**Coupez l'alimentation au niveau du disjoncteur**

**MISE EN GARDE :** Ne pas se fier uniquement à l'interrupteur mural pour couper l'alimentation.

**Remarque :** La vis de fixation centrale et le support sont préinstallés sur le luminaire pour expédition.

- Desserrez la vis de montage centrale (E) et retirez le support de montage.
- Installez le support de montage (D) sur la boîte de jonction à l'aide de deux vis de montage 3/4 po no 8, no 6 ou no 10 (F).

**Remarque :** Choisissez parmi les vis fournies, la taille qui convient à votre boîte de jonction.



## 4. ATTENTION : CÂBLAGE

Veillez à couper l'alimentation.

- Utilisez le capuchon de connexion pour connecter le fil de mise à la terre en cuivre nu, ou de mise à la terre vert pour l'alimentation de la maison, au fil de mise à la terre vert du luminaire. **Remarque :** Si le câblage de la maison ne comprend pas de mise à la terre, consultez votre code de l'électricité local pour connaître les procédures de mise à la terre agréées.

**Pour une bonne connexion, placez le capuchon de connexion sur les fils et tournez dans le sens des aiguilles d'une montre jusqu'à ce qu'il soit bien serré.**

- Utilisez un capuchon de connexion pour raccorder le fil blanc du luminaire au fil d'alimentation blanc (neutre) de la maison.
- Utilisez un capuchon de connexion pour raccorder le fil noir du luminaire au fil d'alimentation noir de la maison.

## 5. ÉTANCHÉITÉ À L'HUMIDITÉ

- Appliquez du calfeutrage en silicone (non compris) sur le périmètre de jointure entre l'appareil et la surface de montage pour l'étanchéité à l'humidité.

## 6. INSTALLATION DU LUMINAIRE

- Alignez le luminaire au-dessus de la boîte de jonction et fixez-le au support de montage en serrant la vis de montage centrale (E).

**Remarque :** Assurez-vous qu'aucun fil n'est coincé avant de serrer.

- Insérez le bouchon en caoutchouc (H) dans le trou central pour couvrir la tête de la vis de montage centrale pour l'étanchéité à l'humidité.

Rétablissez le courant au niveau de la boîte de fusibles ou du disjoncteur et assurez-vous que l'interrupteur mural est allumé.

**Remarque :** Le luminaire ne s'allumera pas pendant la journée.

- Recouvrez le détecteur de lumière pour vérifier si l'installation a été effectuée correctement.
- Réglez la molette dans cette position pour permettre aux luminaires de s'allumer pendant la journée.

### RÉGLER LA MOLETTE DU DÉTECTEUR DE LUMIÈRE DU JOUR



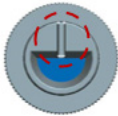
Réglez la molette dans cette position pour permettre aux luminaires de s'allumer pendant la journée.

## FONCTIONNEMENT DU LUMINAIRE

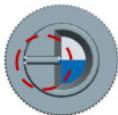
### 1. RÉGLAGE DU DÉTECTEUR DE LUMIÈRE DU JOUR

Si votre modèle est équipé d'une molette de position du détecteur de lumière du jour réglable (modèles PE) pour permettre aux luminaires de fonctionner pendant la journée. Une fois que vous avez réglé la luminosité et la couleur de la lumière, repositionnez votre molette pour un fonctionnement du crépuscule à l'aube ou durant la nuit.

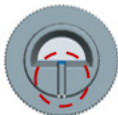
#### RÉGLER LA MOLETTE DU DÉTECTEUR DE LUMIÈRE DU JOUR



Réglez la molette dans cette position pour permettre aux luminaires de s'allumer pendant la journée.



Réglez la molette dans cette position pour l'activer lorsqu'il y a plus de lumière ambiante environnante.



Réglez la molette dans cette position pour que la fonction du crépuscule à l'aube s'active avec moins de lumière ambiante.

### 2. ORIENTATION DES TÊTES DE LAMPE

Saisissez doucement les têtes de lampe (B) et positionnez-les dans les directions souhaitées.

**MISE EN GARDE – Risque de choc :** Dirigez les têtes de lampe à au moins 20° en dessous de l'horizontale afin d'empêcher l'eau de s'accumuler à l'intérieur de l'objectif.

### 3. RÉGLAGE DU NIVEAU DE LUMINOSITÉ

Le projecteur est préréglé sur la luminosité maximale indiquée par l'icône du soleil plus grande au-dessus de la molette DIM. Si vous souhaitez diminuer la luminosité, réglez la molette DIM sur la petite icône du soleil.

#### RÉGLER LA MOLETTE DE LUMINOSITÉ

Réglez la molette ici pour une luminosité faible

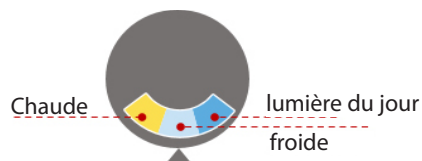


Réglez la molette ici pour une luminosité maximale

### 4. RÉGLAGE DE LA COULEUR DE LA LUMIÈRE

- Réglez la molette sur la couleur de lumière souhaitée.

#### RÉGLER LA MOLETTE DE COULEUR DE LUMIÈRE choisissez votre couleur de lumière



#### Guide de dépannage

Si l'appareil ne fonctionne pas adéquatement, veuillez vous servir du guide ci-dessous afin d'identifier et corriger le problème.

- Vérifier si le câblage de l'appareil est bien fait.
- Vérifier si la mise à la terre de l'appareil est adéquate.
- Vérifier la tension de secteur de l'appareil.

**Le contrôle photoélectrique dans les modèles PE est conçu pour mettre en marche le projecteur quand le niveau de la lumière est faible (de la tombée de la nuit à l'aube) et dispose d'un couvercle pivotant qui permet l'ajustement de l'entrée de la lumière.**

#### Vérifier si l'interrupteur photoélectrique fonctionne correctement

##### Si la lumière ne s'allume pas ou reste allumée:

- Couvrir l'interrupteur photoélectrique pendant et la lumière devrait s'allumer.
- Diriger la lumière d'une lampe de poche sur l'interrupteur photoélectrique, la lumière devrait s'éteindre.

##### Si l'appareil d'éclairage s'allume puis s'éteint en boucle:

Le contrôle photoélectrique capte la lumière reflétée des surfaces environnantes ou d'autres sources de lumière. Pour corriger le problème, évitez les surfaces réfléchissantes, faites pivoter le couvercle de contrôle photoélectrique pour réduire l'ouverture ou repositionnez le projecteur.

Si le couvercle de contrôle photoélectrique est en position fermé, le projecteur pourra fonctionner de façon continue durant la journée.

Pour toute autre assistance, veuillez contacter nos services de support technique: **le soutien technique au: (800) 705-7378**

Cette lampe à détecteur de mouvement DEL nécessite peu d'entretien et il n'y a aucune ampoule à changer. Nettoyez les surfaces avec un produit doux non abrasif.

**AVERTISSEMENT:** Il n'y a aucune pièce réparable à l'intérieur de chaque projecteur.

#### Ressources pour entrepreneurs

Accédez aux programmes, outils, vidéos et plus encore!

