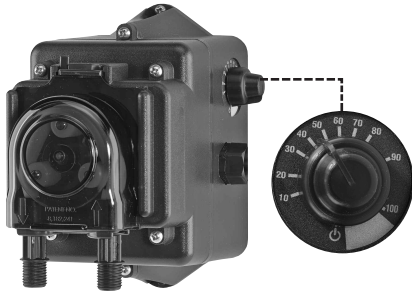
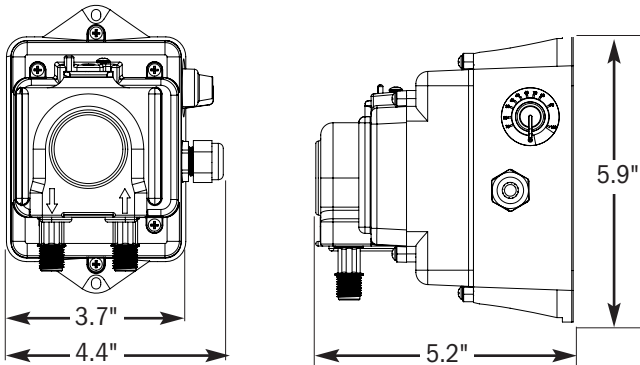
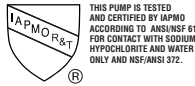


ECON LD SERIES SPECIFICATIONS

STENNER PUMPS®



SHIPPING WEIGHT 4 lbs (1.6 kg)



FEATURES

- 3-point roller design assists in anti-siphon protection
- Pump head requires no valves, allows for easy maintenance
- Self-priming against maximum working pressure, foot valve not required
- Pump does not lose prime or vapor lock
- Pumps off-gassing solutions and can run dry
- Output volume is not affected by back pressure
- Easy to change pump tube; lubrication is not required
- All pump accessories included allow a fast and easy installation

- OUTPUT CONTROL** Potentiometer, 50:1 turndown
- REPRODUCIBILITY** ±2%
- MAXIMUM WORKING PRESSURE** 80 psi (5.5 bar)
- MAXIMUM OPERATING TEMPERATURE** 104°F (40°C)
- MAXIMUM SUCTION LIFT** 25 ft (7.6 m) vertical lift, based on water
- MOTOR TYPE** 24VDC, brushless
- SHAFT RPM (average maximum)** 17
- DUTY CYCLE** Continuous
- MOTOR VOLTAGE (Amp Draw)** 120V 60Hz, 230V 50Hz (0.17)
- POWER CORD TYPE** 120V 60Hz: SJTOW, 230V 50Hz: H05RNF
- POWER CORD PLUG END**
120V 60Hz: NEMA 5-15P, 230V 50Hz: CEE7/7
- CLASSIFICATION** Indoor & outdoor

MATERIALS OF CONSTRUCTION

- All Housings** Polycarbonate
- Pump Tube & Check Valve Duckbill** Santoprene®, FDA approved
- Pump Head Rollers** Polyethylene
- Suction/Discharge Tubing, Ferrules** Polyethylene, FDA approved
- Tube and Injection Fittings** Polyethylene, FDA approved
- Connecting Nuts** PVC, NSF listed
- Suction Line Strainer and Cap**
PVC or Polypropylene, NSF listed, with Ceramic Weight
- All Fasteners** Stainless steel

ACCESSORY KIT SHIPPED WITH EACH PUMP

- 3** Connecting nuts 1/4"
- 3** Ferrules 1/4"
- 1** Injection check valve
- 1** Weighted suction line strainer 1/4"
- 1** 20' Roll suction/discharge tubing 1/4" white
OR 6 mm White *Europe*
- 1** Additional pump tube
- 1** Manual

* Santoprene® is a registered trademark of Exxon Mobil Corporation.

FLOW RATE OUTPUT CHART

80 psi (5.5 bar) maximum

Item Number Prefix	Pump Tube	Roller Assembly	Turndown Ratio	Ounces per Hour	Milliliters per Hour
E10LHM	M	White	50:1	0.04 to 2.4	1.3 to 70.0
E10LHF	F	White	50:1	0.11 to 8.1	3.2 to 240.0
E10LHG	G	Black	50:1	0.50 to 25.1	14.8 to 742.3
E10LHH	H	Black	50:1	1.01 to 50.7	29.7 to 1499.4
Approximate Maximum Output @ 50/60Hz					

NOTE: Injection check valve included with pumps rated 80 psi (5.5 bar) maximum.

NOTICE: The information within this chart is solely intended for use as a guide. The output data is an approximation based on pumping water under a controlled testing environment. Many variables can affect the output of the pump. Stenner Pump Company recommends that all metering pumps undergo field calibration by means of analytical testing to confirm their outputs.