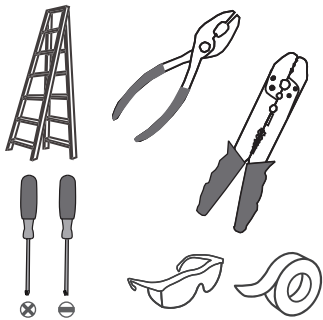
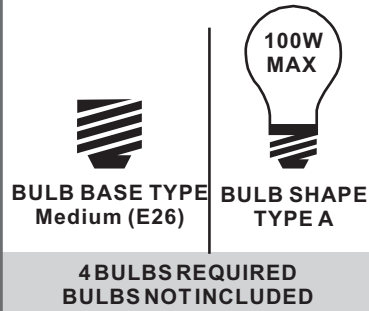


Tools Required



Light Source



Warnings and Cautions

Turn off the electricity at the circuit breaker before installation. Consult a licensed electrician if in doubt about installation.

Turn off power to the fixture and allow the bulbs to cool before replacing.

Package Contents

Preparation: Identify and inspect all parts before beginning the installation.

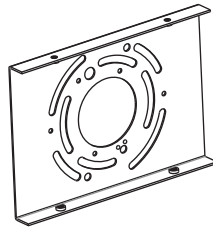
Missing or damaged parts? Contact your original place of purchase.

Note: Shade shape is for illustration purpose only. Your shade shape may vary from illustration.

PARTS BAG



A Mounting Screw x 4



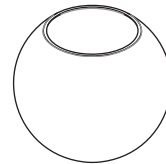
B Inner Backplate x 1



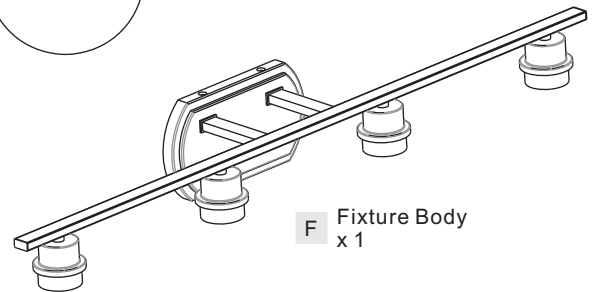
C Outlet Box Screw x 2



D Wire Connector x 3



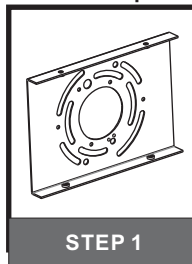
E Shade (Varies according to style purchased) x 4



F Fixture Body x 1

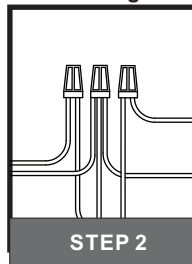
Table of Contents

Inner Backplate



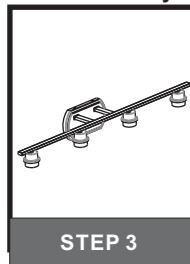
STEP 1

Wiring



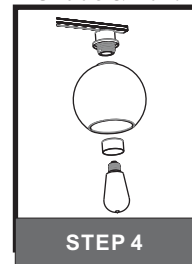
STEP 2

Fixture Body



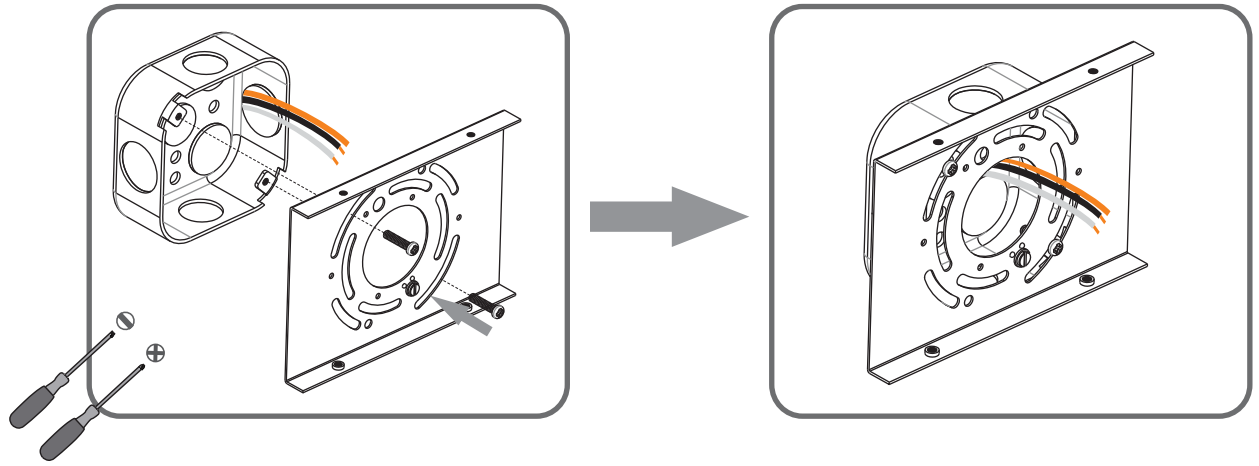
STEP 3

Shade & Bulb

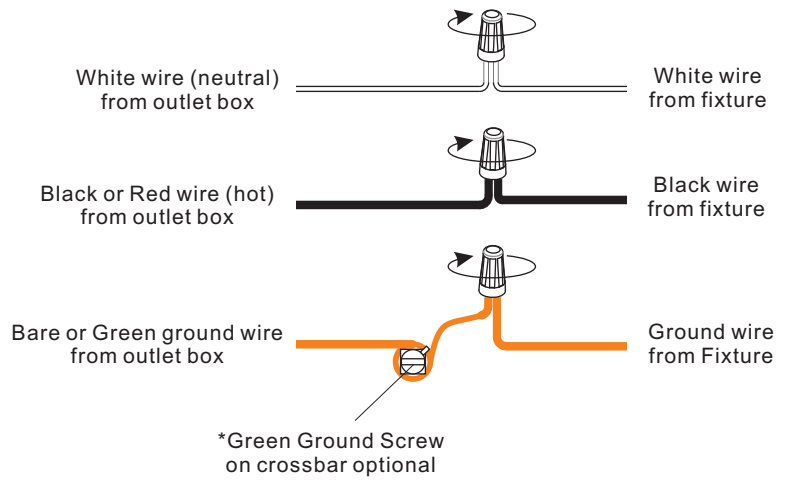


STEP 4

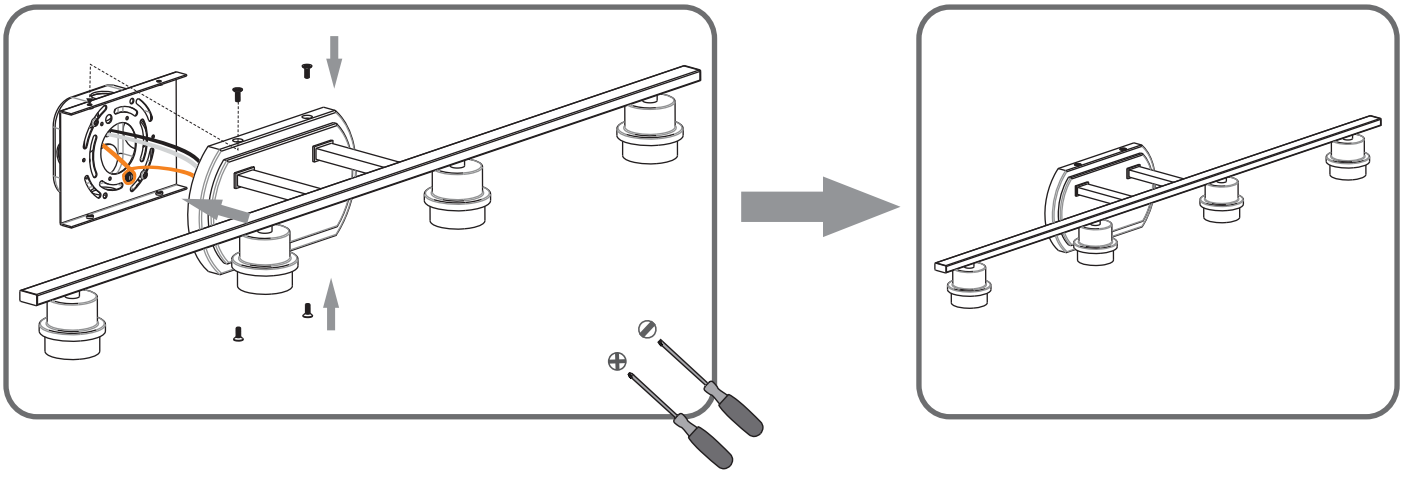
STEP 1



STEP 2

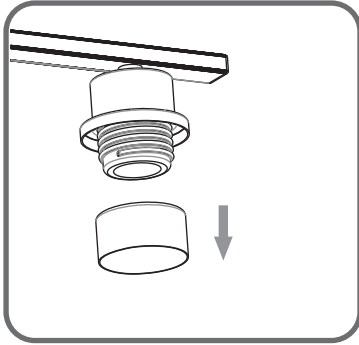


STEP 3



STEP 4

1



2

Note: Shade shape is for illustration purpose only. Your shade shape may vary from illustration.

