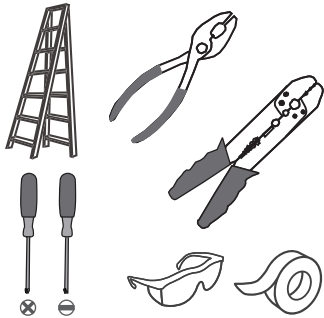
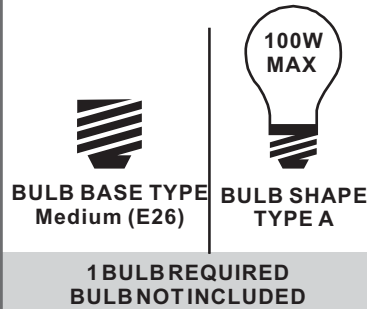


**Tools Required**



**Light Source**



**Warnings and Cautions**

Turn off the electricity at the circuit breaker before installation. Consult a licensed electrician if in doubt about installation.

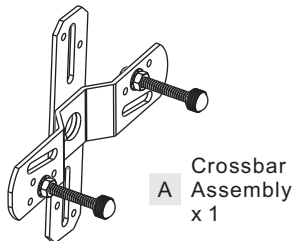
Turn off power to the fixture and allow the bulbs to cool before replacing.




**Package Contents**

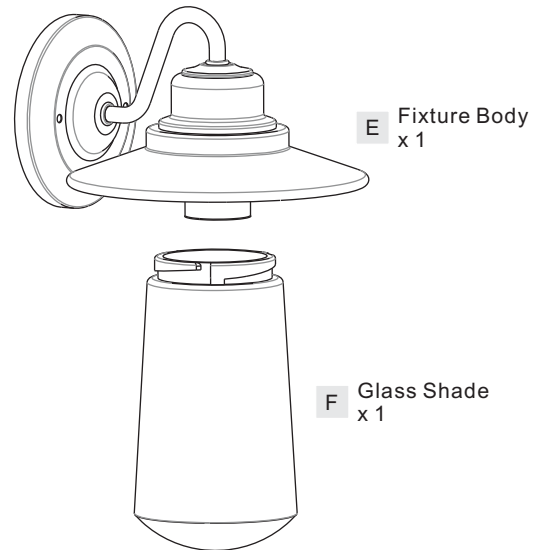
**Preparation:** Identify and inspect all parts before beginning the installation.

Missing or damaged parts? Contact your original place of purchase.


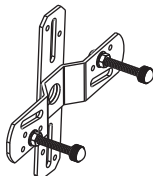
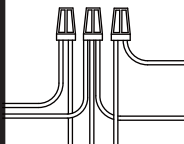


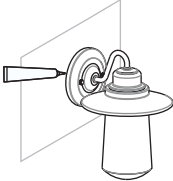
**PARTS BAG**



-  **B** Alternate Mounting Screw x 2
-  **C** Outlet Box Screw x 2
-  **D** Wire Connector x 3



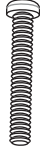
**Table of Contents**

Alternate Mounting Screw	Crossbar Assembly	Wiring	Fixture Body	Bulb & Glass Shade	Caulk
					
<b>STEP 1</b>	<b>STEP 2</b>	<b>STEP 3</b>	<b>STEP 4</b>	<b>STEP 5</b>	<b>STEP 6</b>

# STEP 1

OPTION 1

Standard Mounting Screw



Included (Pre-assembled)

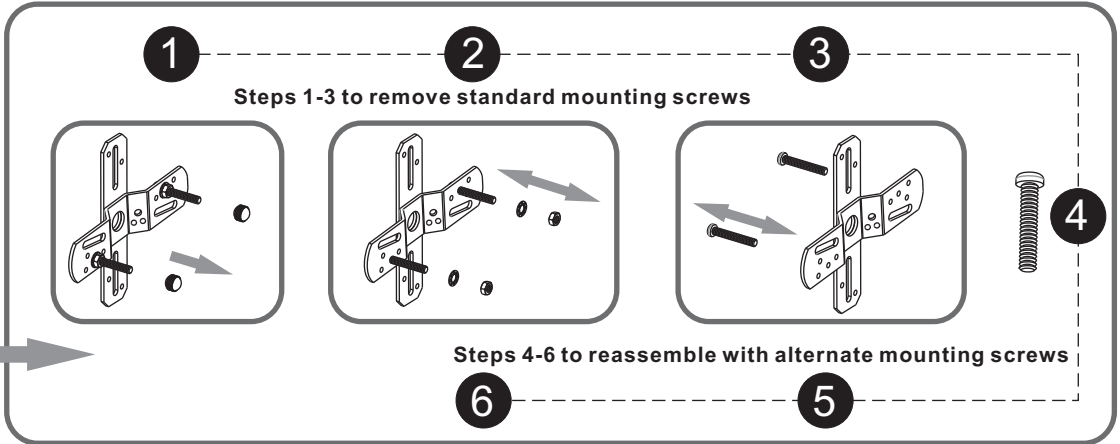
OPTION 2

Alternate Mounting Screw



Included

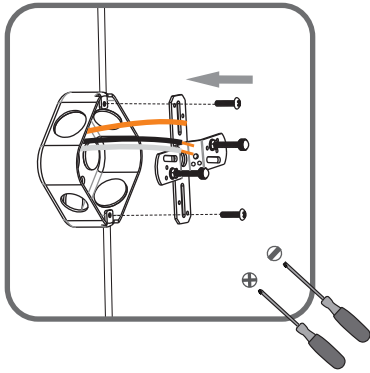
skip to next page



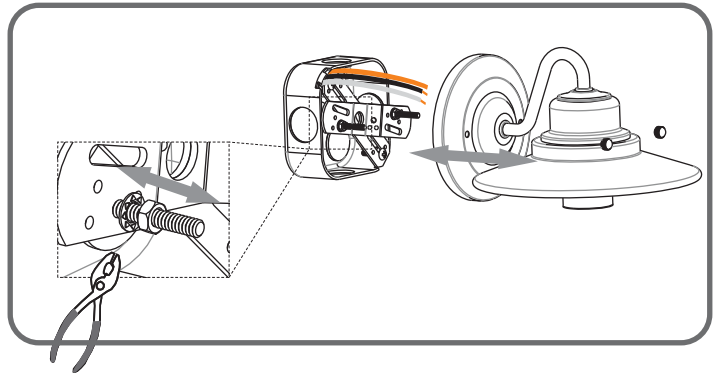
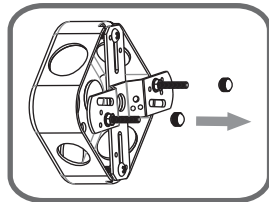
# STEP 2

1 2 3

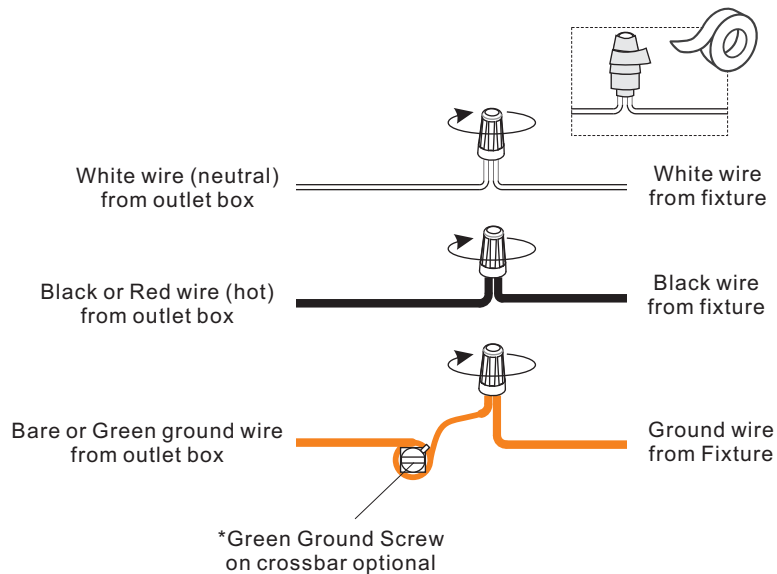
Step 1  
Install crossbar assembly



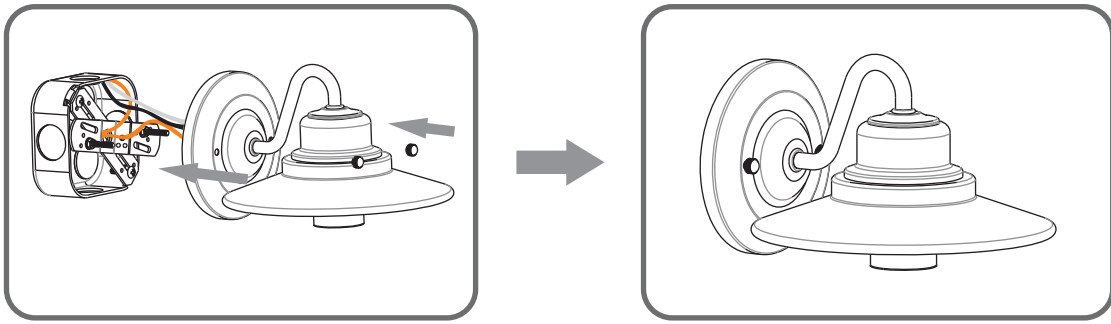
Step 2 - 3  
Test fitting backplate to mounting screws



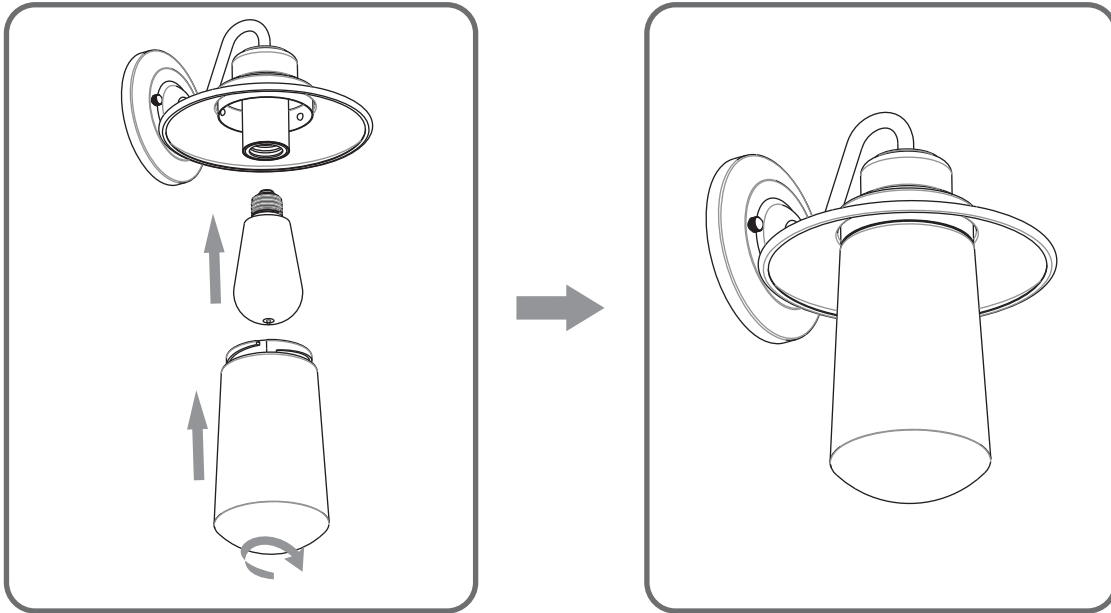
# STEP 3



**STEP 4**



**STEP 5**



**STEP 6**

