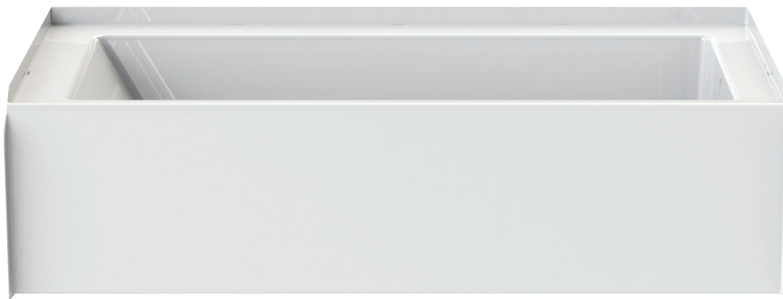


VP6030CTMIN

60 x 30 x 15

PROFESSIONAL



FEATURES

- Pre-Leveled base
- Slip resistant, textured bottom
- Available in White only
- Left, right drain
- Modern, matte finish
- 15-year residential limited warranty

OPTIONS

- Coordinating wall sets available

PACKAGED DIMENSIONS

- 62 1/2 x 34 x 17 3/4

VERITEK PRO

Lightweight and durable, Veritek Pro is produced with Swan Solid Surface, a proprietary SMC compound.

Veritek Pro is the better bathroom solution and is a snap to install!

Available in the Following Offerings:

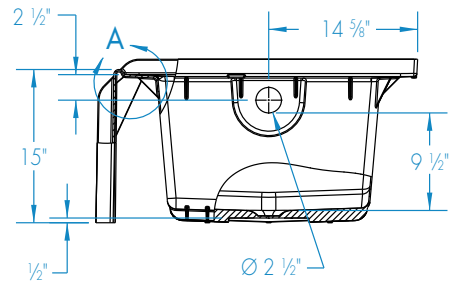
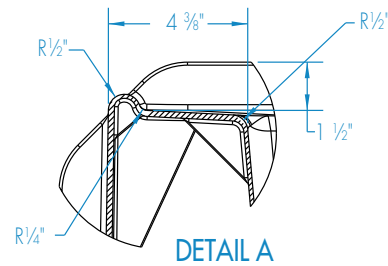
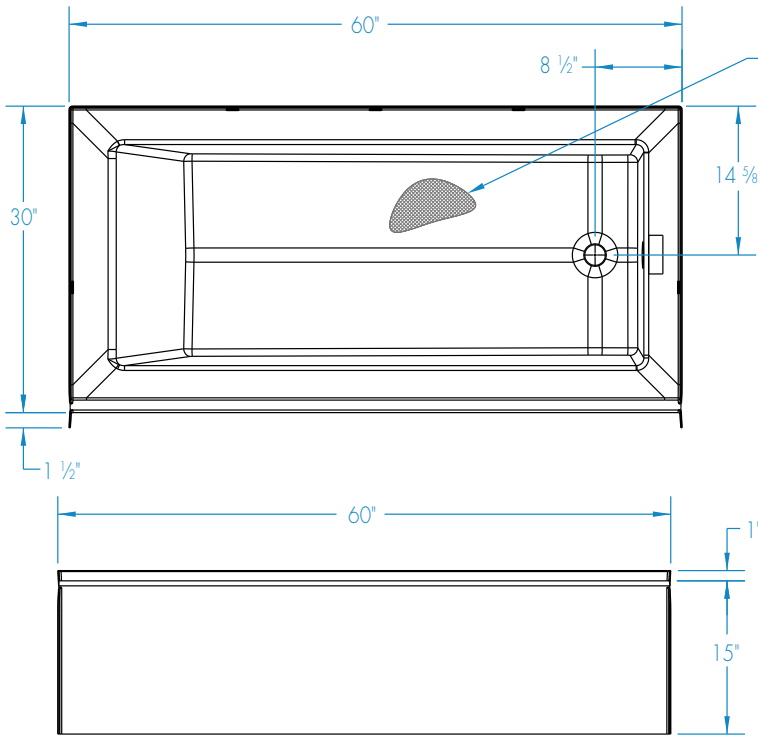
Depth	Width	Height Standard	Height AFR	Model Number	
				Standard	AFR
30	60	15	18	VP6030CTMIN	VP6030CTMM

- **Standard:** Base model shower, tub, or tub shower offering
- **Above Floor Rough (AFR):** Clearance for drain placement, eliminating the need for drain relocation



VP6030CTMIN

60 x 30 x 15 inches



FEATURES Dimensional Tolerance $\pm 3/8$ ". Dimensions needed for site preparation should be measured from the unit. Manufacturer assumes no responsibility for preparatory work.

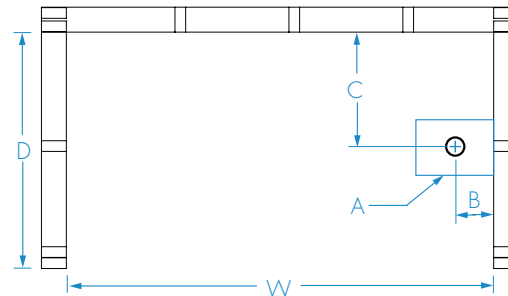
Type	Model #	Material	Height	Drain	Net Wt. lbs	Pkg. Wt. lbs
Standard Soaker	VP6030CTMINL/R	Swan Solid Surface	15	LH or RH	57	65

DIMENSIONS

Specifications	
Width: Overall / Net	60
Depth: Overall / Net	31 1/2 / 30
Height: Overall / Net	16 / 15
Enclosure Opening	-
Skirt Height	15
Drain Rough-In (from Back Wall)	14 5/8
Drain Rough-In (from Side Wall)	2 3/4
Drain: Diameter / Clearance	2 / 1/2

FRAMING DIMENSIONS inches

Type	D Depth	W Width	H Height	A	B	C
Alcove	31 1/2	60	16	Box Out	2 3/4	14 5/8



SUMP DATA

Top of Drain to Bottom of Overflow	Capacity to Overflow gal	Min. Operating Capacity gal	WIDTH @ centerline		DEPTH @ centerline	
			Top	Bottom	Top	Bottom
9 1/2	36 1/10	-	51 5/8	44 1/2	21 5/8	19 5/8

Rev. 03.16.22

