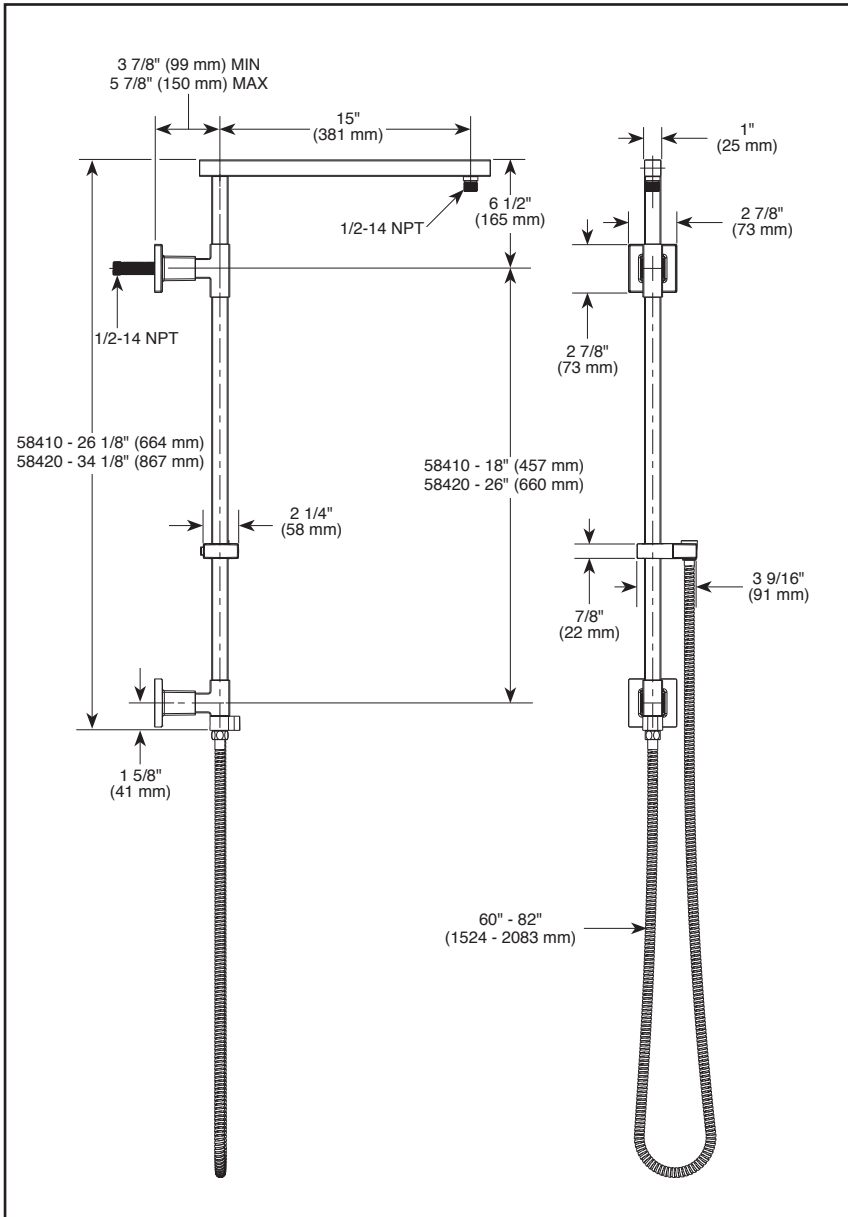


Submitted Model No.: _____

Specific Features: _____



▲ Designate proper finish suffix



see what Delta can do™

SHOWER COLUMN KIT

■ Less Hand Shower and Shower Head

STANDARD SPECIFICATIONS:

- 58410: 18" Angular Modern Shower Column - for shower applications
- 58420: 26" Angular Modern Shower Column - for tub/shower applications
- Shower head and hand shower sold separately to allow for customization
- Sliding hand shower mount adjusts the height and angle of the hand shower
- 15" overhead shower arm
- 3-function diverter at the base of the column allows for single or shared operation of the shower head and hand shower
- 60" - 82" stretchable metal hose
- Retrofits into existing shower arm - no need to modify in-wall plumbing
- Not to be used as a grab bar
- Integrated hose supply. No need for separate wall elbow

WARRANTY

- Lifetime limited warranty on parts (other than electronic parts and batteries) and finishes: or, for commercial users, for 5 years from date of purchase.
- 5 year limited warranty on electronic parts (other than batteries); or, for commercial users, for 1 year from the date of purchase. No warranty is provided on batteries.

COMPLIES WITH:

- ASME A112.18.1 / CSA B125.1

Delta reserves the right (1) to make changes in specifications and materials, and (2) to change or discontinue models, both without notice or obligation. Dimensions are for reference only. See current full-line price book or www.deltafaucet.com for finish options and product availability.

DSP-B-58410 Rev. A

Delta Faucet Company

55 E. 111th Street, Indianapolis, IN 46280
350 South Edgeware Road, St. Thomas, ON N5P 4L1
© 2017 Delta Faucet Company