

Part No: 801-211C

Schedule 80 PVC & CPVC

Tee

Desc: 1-1/2X1 CPVC RED TEE SOC SCH80

MSRP: 124.99

Part Code: 090

Weight(lbs): 0.434

Weight(kg): 0.197

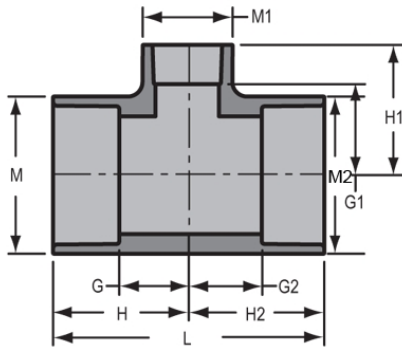
Weight(gm): 197

Size: 1-1/2"X1-1/2"X1"

Color: GRAY

Material: CPVC

Connection Socket x Socket x Socket
Type Reduction



G = 27/32	G1 = 1- 5/32	G2 = 27/32	H = 2-1/4	H1 = 2- 5/16
H2 = 2-1/4	L = 4-1/2	M = 2-11/32	M1 = 1- 3/4	M2 = 2- 11/32

Injection Molded Dimension References:

- G** = (LAYING LENGTH) intersection of center lines to bottom of socket/thread; 90° elbows, tees, crosses; ± 1/32 inch.
- H** = Intersection of center lines to face of fitting; 90° elbows tees, crosses; ± 1/32 inch.
- J** = Intersection of center lines to bottom of socket/thread; 45° elbows; ± 1/32 inch
- L** = Overall length of fittings; ± 1/16 inch.
- M** = Outside diameter of socket/thread hub; ± 1/16 inch.
- N** = Socket bottom to socket bottom; couplings; ± 1/16 inch.
- W** = Height of cap; ± 1/16 inch

Typical Molded Dimension References

