

# P175ML5AC3M

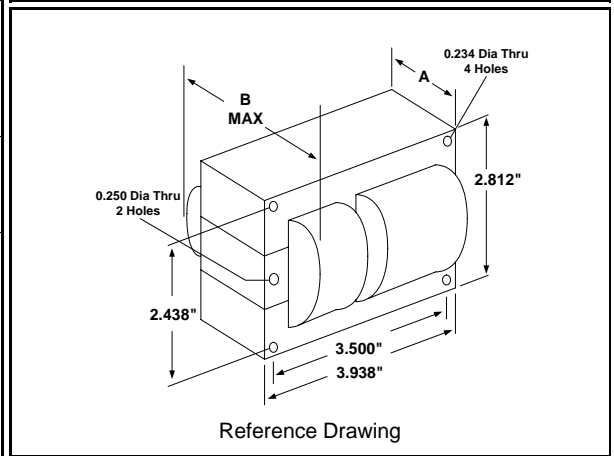
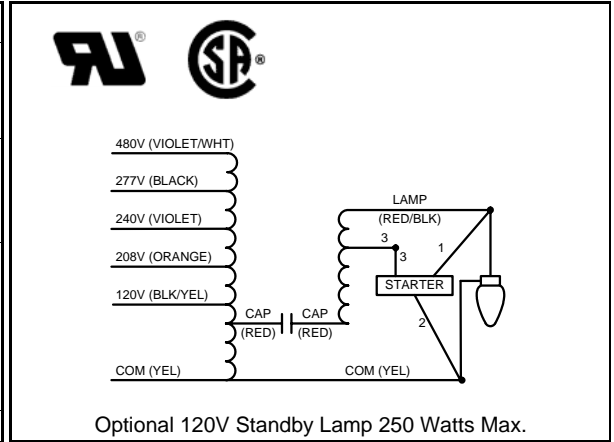
175W M152 / M137

Pulse Start Metal Halide

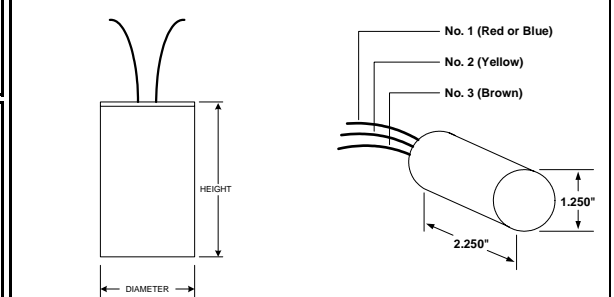
60Hz CWA

## Specification Sheet

<b>Input Volts</b>	120	208	240	277	480
<b>Regulation</b>					
Line Volts	±10%	±10%	±10%	±10%	±10%
Lamp Watts	±10%	±10%	±10%	±10%	±10%
Power Factor (min)	90%	90%	90%	90%	90%
Input Watts	210 W	210 W	210 W	210 W	210 W
NOM. Open Circuit Voltage	295 V	295 V	295 V	295 V	295 V
<b>Line Current (Amps)</b>					
Operating	1.80	1.05	0.90	0.80	0.45
Open Circuit	1.80	1.05	0.90	0.80	0.45
Starting	0.95	0.55	0.45	0.40	0.25
Recommended Fuse (Amps)	5	3	3	2	2
Lamp Dropout Voltage (Line)	65 V	110 V	130 V	145 V	250 V
<b>UL Temperature Ratings</b>					
Insulation Class	H (180°C)	H (180°C)	H (180°C)	H (180°C)	H (180°C)
Temperature Code	B	B	B	B	B
MIN. Starting Temperature	-22°F -30°C	-22°F -30°C	-22°F -30°C	-22°F -30°C	-22°F -30°C
<b>CAPACITOR Specifications</b>					
Microfarads	10 uf	10 uf	10 uf	10 uf	10 uf
Volts (min.)	400 V	400 V	400 V	400 V	400 V
<b>60Hz Test Procedures</b>					
High Potential Test 1 Minute	2000 V	2000 V	2000 V	2000 V	2000 V
High Potential Test 1 Second	2500 V	2500 V	2500 V	2500 V	2500 V
Secondary Open Ckt Voltage (V)	265 - 320	265 - 320	265 - 320	265 - 320	265 - 320
Secondary Current Shorted (A)	1.55 - 1.90	1.55 - 1.90	1.55 - 1.90	1.55 - 1.90	1.55 - 1.90
Input Operating Current (A)	1.50 - 1.90	0.90 - 1.00	0.80 - 1.00	0.70 - 0.90	0.35 - 0.50
Input Open Circuit Current (A)	0.90 - 2.60	0.50 - 1.45	0.45 - 1.30	0.80 - 1.00	0.20 - 0.65
Input Short Circuit Current (A)	0.65 - 0.95	0.40 - 0.55	0.30 - 0.50	0.20 - 0.35	0.15 - 0.25
<b>Core and Coil Specifications</b>					
Dimension A	2.65 in	2.65 in	2.65 in	2.65 in	2.65 in
Dimension B	4.00 in	4.00 in	4.00 in	4.00 in	4.00 in
Weight	8 lbs	8 lbs	8 lbs	8 lbs	8 lbs
Lead Lengths (inches)	12-14	12-14	12-14	12-14	12-14
Coil Material (Pri. / Sec.):	Cu / Cu	Cu / Cu	Cu / Cu	Cu / Cu	Cu / Cu



<b>Capacitor: R17058555</b>	<b>Ignitor: MH350-1A</b>
Max Case Temp: 100 °C	Max Case Temp 105 °C
Height: 2.83 in	BTL: 10 ft
Width / Diameter: 1.65 in	



Oil Cap. - P/N 005-1184-MF Consult Catalog for Specs.

Document #:	010-11692-04
Date:	7/22/2009
Status:	Production
Replaces Catalog #:	P175ML5AC3M

Data is based upon tests performed by Universal Lighting Technologies in a controlled environment and is representative of relative performance. Actual performance may vary depending on operating conditions. Specifications are subject to change without notice.

**Universal Lighting Technologies**

26 Century Blvd. Suite 500 - Nashville, TN 37214

Phone 1-800-225-5278 Fax 1-800-206-0035

www.unvlt.com

7/22/2009