

M70MLTLC3M

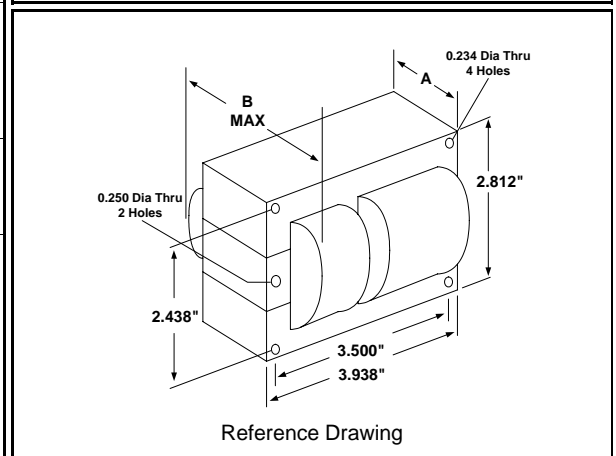
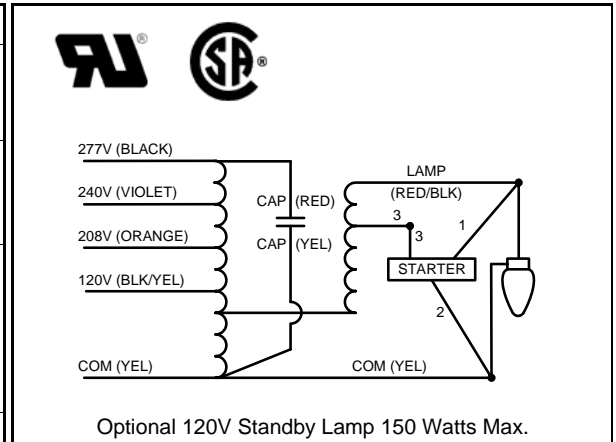
70W M98 / M143 (C98)

Metal Halide

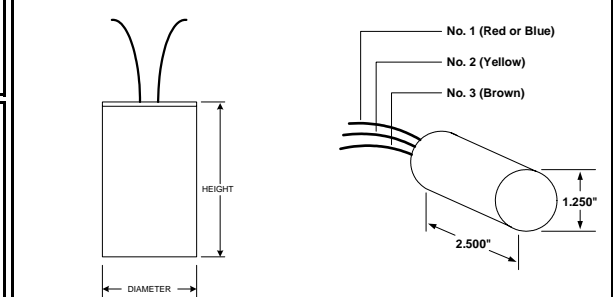
60Hz HX-HPF

Specification Sheet

Input Volts	120	208	240	277
Regulation				
Line Volts	±5%	±5%	±5%	±5%
Lamp Watts	±10%	±10%	±10%	±10%
Power Factor (min)	90%	90%	90%	90%
Input Watts	90 W	90 W	90 W	90 W
NOM. Open Circuit Voltage	255 V	255 V	255 V	255 V
Line Current (Amps)				
Operating	0.80	0.45	0.40	0.35
Open Circuit	1.70	1.00	0.85	0.75
Starting	0.80	0.45	0.40	0.35
Recommended Fuse (Amps)	4	3	2	2
Lamp Dropout Voltage (Line)	90 V	155 V	180 V	210 V
UL Temperature Ratings				
Insulation Class	H (180°C)	H (180°C)	H (180°C)	H (180°C)
Temperature Code	A	A	A	A
MIN. Starting Temperature	-22°F -30°C	-22°F -30°C	-22°F -30°C	-22°F -30°C
CAPACITOR Specifications				
Microfarads	8 uf	8 uf	8 uf	8 uf
Volts (min.)	280 V	280 V	280 V	280 V
60Hz Test Procedures				
High Potential Test 1 Minute	2000 V	2000 V	2000 V	2000 V
High Potential Test 1 Second	2500 V	2500 V	2500 V	2500 V
Secondary Open Ckt Voltage (V)	230 - 280	230 - 280	230 - 280	230 - 280
Secondary Current Shorted (A)	0.95 - 1.25	0.95 - 1.25	0.95 - 1.25	0.95 - 1.25
Input Operating Current (A)	0.70 - 0.90	0.40 - 0.50	0.35 - 0.45	0.30 - 0.40
Input Open Circuit Current (A)	0.90 - 2.50	0.50 - 1.45	0.45 - 1.25	0.40 - 1.05
Input Short Circuit Current (A)	0.60 - 1.10	0.35 - 0.65	0.30 - 0.55	0.26 - 0.45
Core and Coil Specifications				
Dimension A	1.30 in	1.30 in	1.30 in	1.30 in
Dimension B	2.65 in	2.65 in	2.65 in	2.65 in
Weight	4.5 lbs	4.5 lbs	4.5 lbs	4.5 lbs
Lead Lengths (inches)	12-14	12-14	12-14	12-14
Coil Material (Pri. / Sec.):	Cu / Al	Cu / Al	Cu / Al	Cu / Al



Capacitor: R17058535	Ignitor: MH100-3A
Max Case Temp: 100 °C	Max Case Temp 105 °C
Height: 2.83 in	BTL: 10 ft
Width / Diameter: 1.65 in	



Oil Cap. - P/N 005-1411-MF Consult Catalog for Specs.

Document #:	010-13640-00
Date:	5/1/2011
Status:	Production
Replaces Catalog #:	11310-510

Data is based upon tests performed by Universal Lighting Technologies in a controlled environment and is representative of relative performance. Actual performance may vary depending on operating conditions. Specifications are subject to change without notice.