

M100MLTLC30

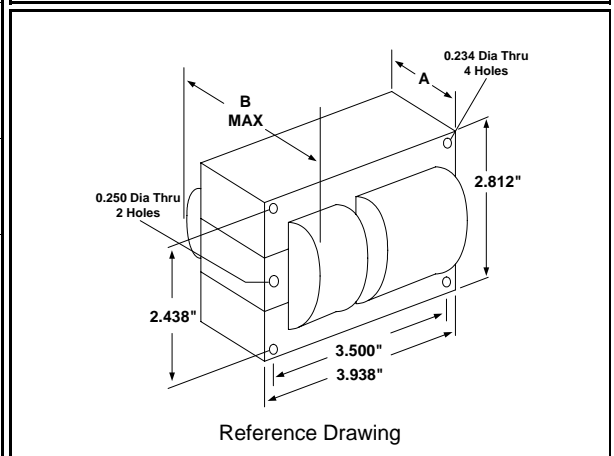
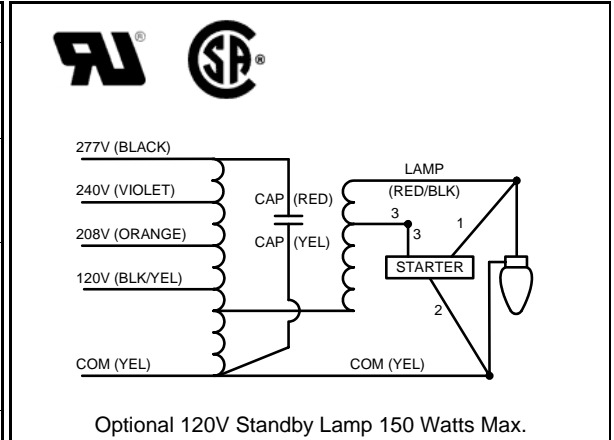
100W M90 / M140

Metal Halide

60Hz HX-HPF

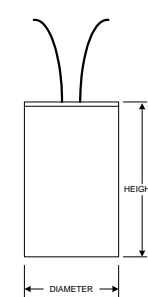
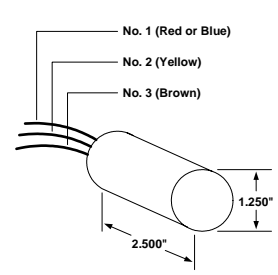
Specification Sheet

Input Volts	120	208	240	277
Regulation				
Line Volts	±5%	±5%	±5%	±5%
Lamp Watts	±10%	±10%	±10%	±10%
Power Factor (min)	90%	90%	90%	90%
Input Watts	127 W	127 W	127 W	127 W
NOM. Open Circuit Voltage	260 V	260 V	260 V	260 V
Line Current (Amps)				
Operating	1.15	0.65	0.55	0.50
Open Circuit	2.60	1.55	1.30	1.15
Starting	1.20	0.70	0.60	0.50
Recommended Fuse (Amps)	8	5	4	4
Lamp Dropout Voltage (Line)	95 V	165 V	185 V	210 V
UL Temperature Ratings				
Insulation Class	H (180°C)	H (180°C)	H (180°C)	H (180°C)
Temperature Code	C	C	B	B
MIN. Starting Temperature	-22°F -30°C	-22°F -30°C	-22°F -30°C	-22°F -30°C
CAPACITOR Specifications				
Microfarads	12 uf	12 uf	12 uf	12 uf
Volts (min.)	280 V	280 V	280 V	280 V
60Hz Test Procedures				
High Potential Test 1 Minute	2000 V	2000 V	2000 V	2000 V
High Potential Test 1 Second	2500 V	2500 V	2500 V	2500 V
Secondary Open Ckt Voltage (V)	235 - 285	235 - 285	235 - 285	235 - 285
Secondary Current Shorted (A)	1.45 - 1.80	1.45 - 1.80	1.45 - 1.80	1.45 - 1.80
Input Operating Current (A)	1.05 - 1.25	0.60 - 0.70	0.50 - 0.60	0.45 - 0.55
Input Open Circuit Current (A)	1.30 - 3.70	0.75 - 2.20	0.65 - 1.85	0.55 - 1.65
Input Short Circuit Current (A)	0.80 - 1.35	0.50 - 0.85	0.40 - 0.70	0.35 - 0.65
Core and Coil Specifications				
Dimension A	1.50 in	1.50 in	1.50 in	1.50 in
Dimension B	2.80 in	2.80 in	2.80 in	2.80 in
Weight	4.5 lbs	4.5 lbs	4.5 lbs	4.5 lbs
Lead Lengths (inches)	12-14	12-14	12-14	12-14
Coil Material (Pri. / Sec.):	Cu / Al	Cu / Al	Cu / Al	Cu / Al



Capacitor: R17058536 **Ignitor: MH100-3A**

Max Case Temp: 100 °C Max Case Temp 105 °C
 Height: 2.83 in BTL: 10 ft
 Width / Diameter: 1.65 in

Oil Cap. - P/N 005-1467-MF Consult Catalog for Specs.

Document #:	010-13664-00
Date:	12/30/2010
Status:	Production
Replaces Catalog #:	New Design

Data is based upon tests performed by Universal Lighting Technologies in a controlled environment and is representative of relative performance. Actual performance may vary depending on operating conditions. Specifications are subject to change without notice.