

M150MLTAC3M

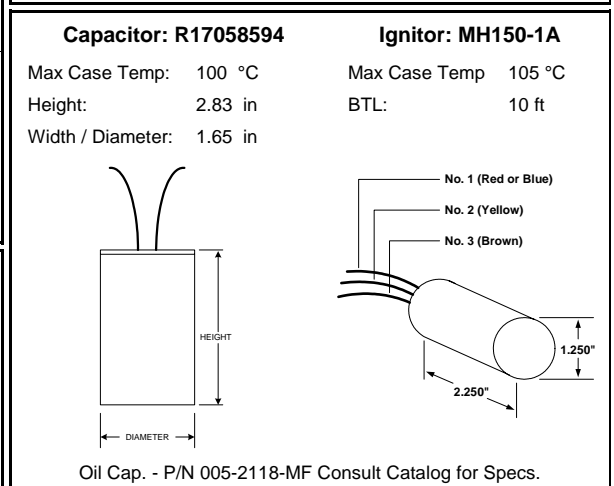
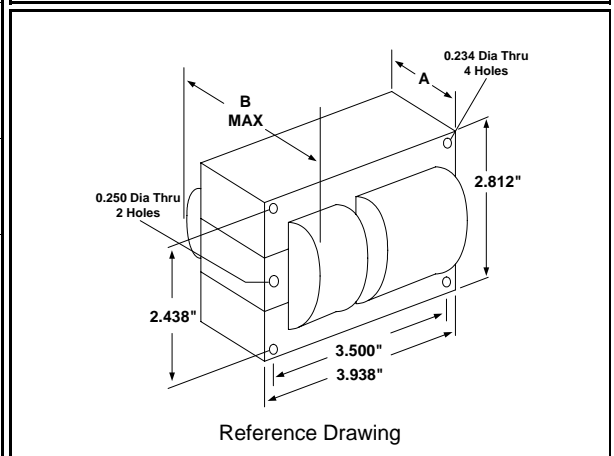
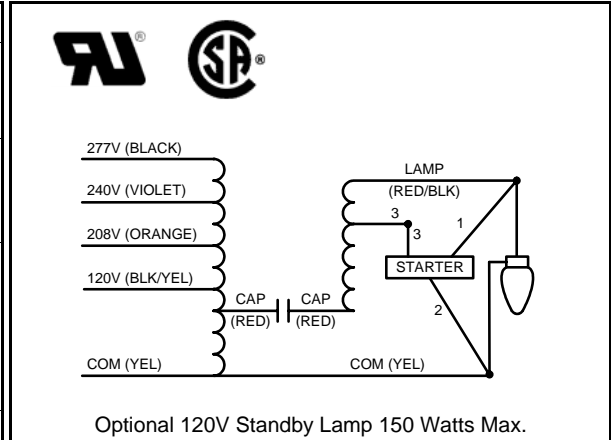
150W M102 / M142

Metal Halide

60Hz CWA

Specification Sheet

Input Volts	120	208	240	277
Regulation				
Line Volts	±10%	±10%	±10%	±10%
Lamp Watts	±10%	±10%	±10%	±10%
Power Factor (min)	90%	90%	90%	90%
Input Watts	188 W	188 W	188 W	188 W
NOM. Open Circuit Voltage	210 V	210 V	210 V	210 V
Line Current (Amps)				
Operating	1.60	1.00	0.80	0.70
Open Circuit	1.25	0.85	0.65	0.60
Starting	1.00	0.60	0.50	0.45
Recommended Fuse (Amps)	4	3	3	2
Lamp Dropout Voltage (Line)	70 V	115 V	135 V	150 V
UL Temperature Ratings				
Insulation Class	H (180°C)	H (180°C)	H (180°C)	H (180°C)
Temperature Code	C	D	C	C
MIN. Starting Temperature	-22°F -30°C	-22°F -30°C	-22°F -30°C	-22°F -30°C
CAPACITOR Specifications				
Microfarads	16 uf	16 uf	16 uf	16 uf
Volts (min.)	330 V	330 V	330 V	330 V
60Hz Test Procedures				
High Potential Test 1 Minute	2000 V	2000 V	2000 V	2000 V
High Potential Test 1 Second	2500 V	2500 V	2500 V	2500 V
Secondary Open Ckt Voltage (V)	190 - 230	190 - 230	190 - 230	190 - 230
Secondary Current Shorted (A)	1.95 - 2.35	1.95 - 2.35	1.95 - 2.35	1.95 - 2.35
Input Operating Current (A)	1.35 - 1.65	0.80 - 1.00	0.65 - 0.85	0.60 - 0.70
Input Open Circuit Current (A)	0.65 - 1.70	0.45 - 1.20	0.35 - 0.95	0.30 - 0.85
Input Short Circuit Current (A)	0.65 - 0.95	0.35 - 0.50	0.30 - 0.50	0.25 - 0.40
Core and Coil Specifications				
Dimension A	2.50 in	2.50 in	2.50 in	2.50 in
Dimension B	3.75 in	3.75 in	3.75 in	3.75 in
Weight	7.10 lbs	7.10 lbs	7.10 lbs	7.10 lbs
Lead Lengths (inches)	12-14	12-14	12-14	12-14
Coil Material (Pri. / Sec.):	Al / Cu	Al / Cu	Al / Cu	Al / Cu



Document #:	010-13123-02
Date:	1/20/2012
Status:	Production
Replaces Catalog #:	New Design

Data is based upon tests performed by Universal Lighting Technologies in a controlled environment and is representative of relative performance. Actual performance may vary depending on operating conditions. Specifications are subject to change without notice.