



OLYMPIA FAUCETS, INC.

Interchange City Distribution Center #20
 1277 Heil Quaker Boulevard
 La Vergne, TN 37086
 (888) 772-7701
 www.olympiafaucets.com

INSTALLATION

Tools:



Adjustable Wrench Plumbers Putty Teflon Tape Rags



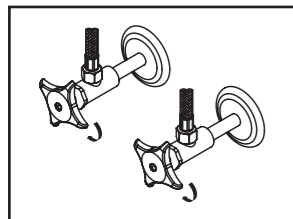
Model Number: K-5020, K-5025, K-5040

Warnings and Notes:

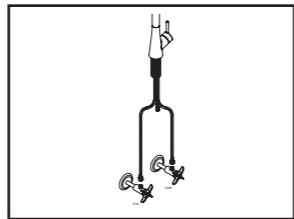
Check with local plumbing code requirements before installation.
 This product should be installed by a local listed plumber.
Do not use plumbers putty on threads.

Installation Steps:

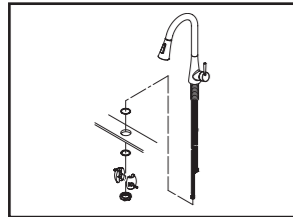
Single Handle Pull-Down Kitchen Faucet



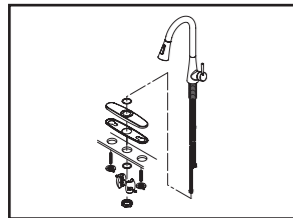
(1) Shut off water supplies. Remove old faucet. Clean mounting surface in preparation for new faucet.



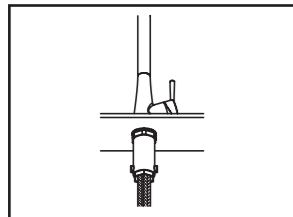
(6) Connect hot and cold inlet supply hoses to supply stops. For 1/2" connection; use 3/8" male to 1/2" female adapter for installation. Adapters are optional and not provided with the faucet.



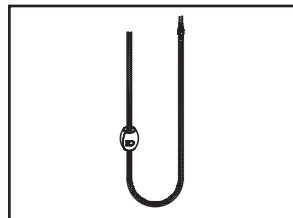
(2) **For 1-Hole Installation:**- Install 1-Hole mounting assembly on the faucet. Ensure there is a washer under the faucet. Place the faucet in position on the sink.



(3) **For 3-Hole Installation:**- Install supplied deck plate underneath of the faucet. Apply plumbers putty under the base gasket. Place the faucet in position on the sink.



(4) From under the sink thread locknut to the faucet. Tighten the locknut with the help of supplied mounting tool.

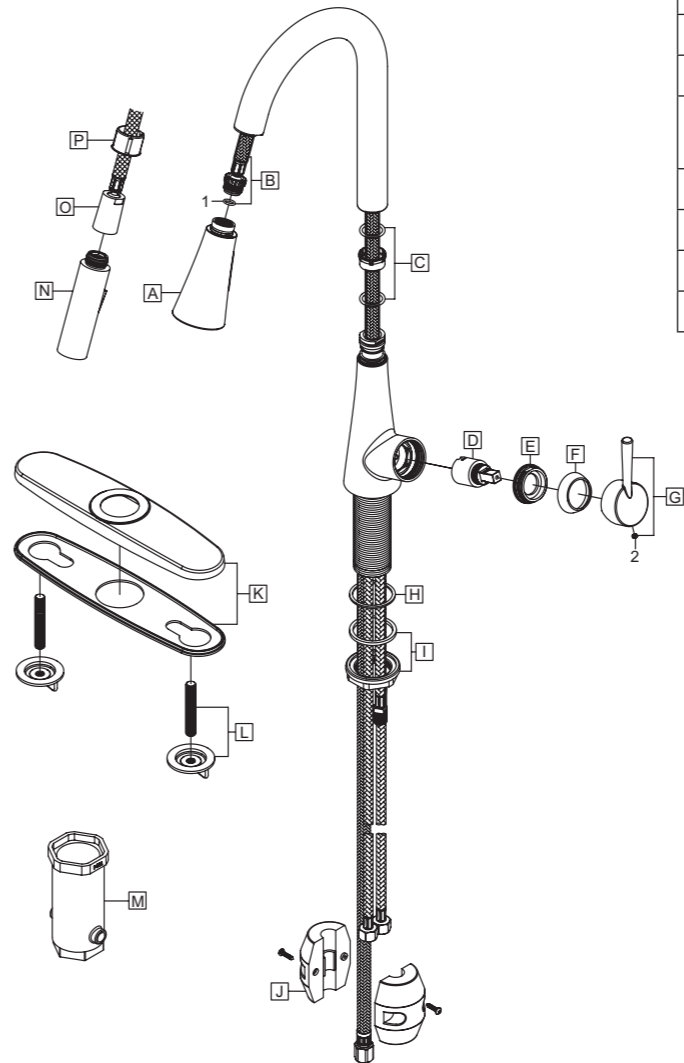


(5) Install the weight on the pull-down spray head hose. Adjust the weight so that the pull-down spray head is retractable. Connect pull-down spray head hose to the outlet hose.

Exploded Drawing (K-5020, K-5025):

* Note: Please specify finish/color when ordering.

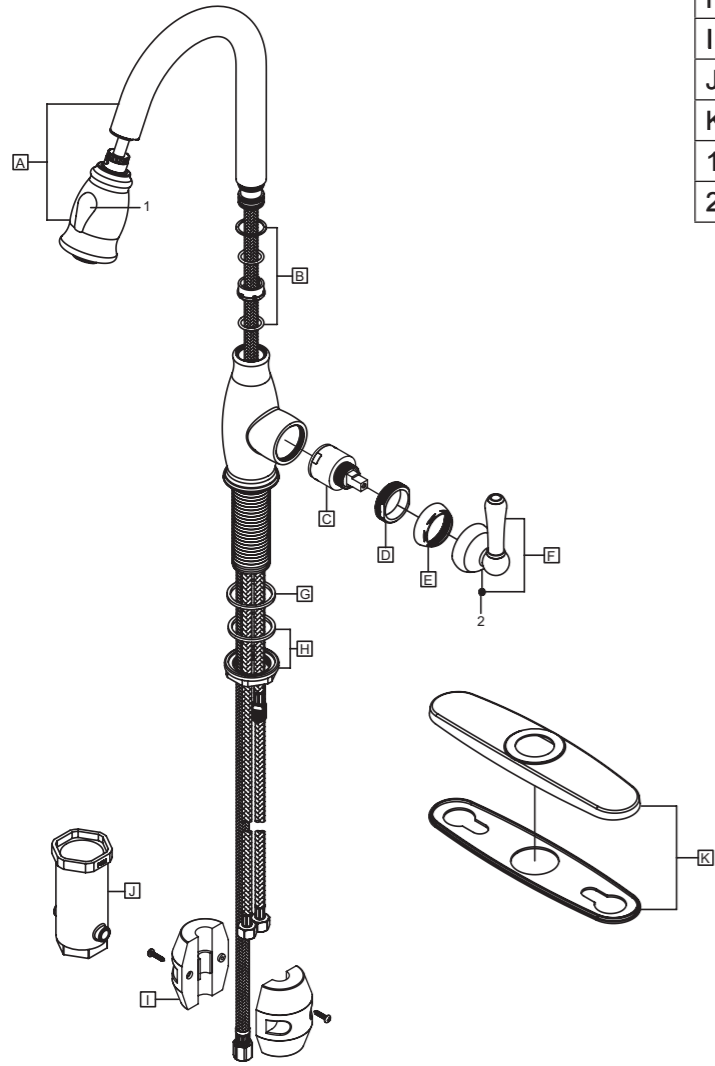
	ITEM #	DESCRIPTION
A	OP-420054*	Pull Down Spray Head (For K-5020)
B	OP-420055	Spray Hose and O-ring (For K-5020)
C	OP-420056	Spout Repair Kit
D	OP-390003	Ceramic Disc Cartridge
E	OP-420057	Locknut
F	OP-420058*	Cap
G	OP-120004*	Lever Handle
H	OP-420059	Washer
I	OP-520005	Mounting Kit
J	OP-420062	Weight
K	OP-420045*	Deck Plate
L	OP-520003	Mounting Kit
M	OP-520012	Mounting Tool
N	X-4200181*	1.8 GPM Pull-Down Spray Head (For K-5025)
O	X-4200111	Spray Hose (For K-5025)
P	X-4200178	Spray Head Support (For K-5025)
1	OP-420060	O-Ring (For K-5020)
2	OP-420061	Allen Screw



Exploded Drawing (K-5040):

* Note: Please specify finish/color when ordering.

	ITEM #	DESCRIPTION
A	OP-420064*	1.8 GPM Pull-Down Spray Head & Hose
A	OP-420040*	1.5 GPM Pull-Down Spray Head & Hose
B	OP-420041	Spout repair Kit
C	X-3900008	Ceramic Disc Cartridge
D	OP-420042	Retainer Nut
E	OP-420043*	Cap
F	OP-120002*	Lever Handle
G	OP-420044	Washer
H	OP-520005	Locknut
I	OP-420062	Weight
J	OP-520012	Mounting Tool
K	OP-420045*	Deck Plate
1	OP-420046	Button
2	OP-420047	Allen Screw



OLYMPIA

For more care information or trouble shooting inquiries
about your Olympia product, Please call:
OLYMPIA FAUCETS, INC. (888) 772-7701
Monday-Friday 8 AM to 8 PM EST (5 AM to 5 PM PST)
www.olympiafaucets.com