



# Submittal Data Information

101-148

## Hot-Link® System

Effective: July 17, 2014

Supersedes: New

Job: \_\_\_\_\_ Engineer: \_\_\_\_\_ Contractor: \_\_\_\_\_ Rep: \_\_\_\_\_

ITEM NO.	MODEL NO.	

### HLS-1 Includes:

- Hot-Link Valve
- Hot-Link Circulator
- (2) Braided Flex Hoses
- 3/4" Bronze Union

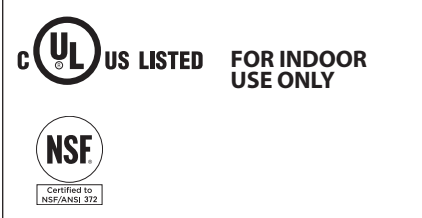
### Materials of Construction —Pump & Union

- Casting (Volute).....Stainless Steel
- Stator Housing.....Steel
- Cartridge.....Stainless Steel
- Impeller.....Noryl
- Shaft.....Ceramic
- Bearings.....Carbon
- O-Ring.....EPDM
- Union.....Bronze

### Materials of Construction —Hot-Link Valve

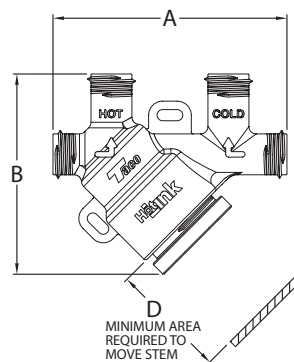
- Body.....Nylon
- Thermal Disk Actuator.....Bi-Metal
- O-Ring Seals.....EPDM
- Integral Flow Check (IFC):
  - Body, Plunger.....Acetal
  - O-Rings.....EPDM
- Screen.....304 SS
- Stem.....Nylon
- Actuator Cartridge.....Stainless Steel
- Braided Flex Hoses.....Stainless Steel

### Certifications & Listings



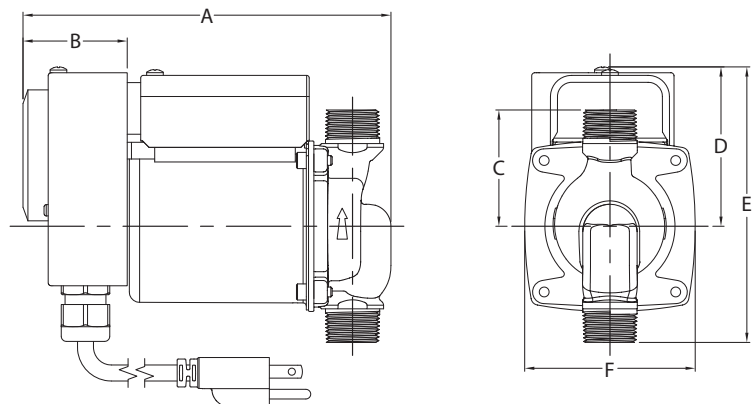
### Dimensions & Weights: Hot-Link Valve

Connection	A		B		C		D		Ship Wt.	
	in.	mm	in.	mm	in.	mm	in.	mm	Lbs.	Kg
1/2" MNPT	4	102	4-7/16	87	1-3/4	41	2-1/2	64	0.37	0.17



### Hot-Link Circulator

in.	A		B		C		D		E		F		Ship Wt.	
	mm	in.	mm	in.	mm	in.	mm	in.	mm	in.	mm	Lbs.	Kg	
7-1/4	184	1-15/16	49	2	51	3-1/16	78	5-1/4	134	3-5/16	84	7.0	3.2	



### Electrical Data

Model	Volts	Hz	Ph	Amps	RPM	HP
Hot-Link Circulator	115	60	1	.52	3250	1/40
Motor Type	Permanent Split Capacitor Impedance Protected					

Do your best work.®

TACO INC., 1160 Cranston Street, Cranston, RI 02920 Telephone: (401) 942-8000 Fax: 942-2360  
 TACO (Canada), Ltd., 8450 Lawson Road, Unit #3, Milton, Ontario L9T 0J8 Telephone: 905/564-9422 Fax: 905/564-9436  
 Visit our website at: www.taco-hvac.com

Printed in USA  
 Copyright 2014  
 TACO, Inc.