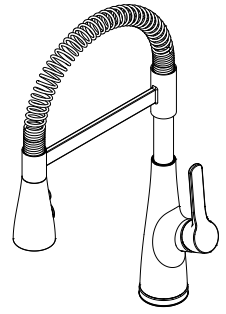


Neera™ Culinary Faucet

- LG529-NECB Finish(B)
- LG529-NECBG Finish(BG)
- LG529-NECC Finish(C)
- LG529-NECS Finish(S)



Specifications

Features

- 1.8 GPM Flow Rate
- 1-Hole Installation
- 3 Function Sprayer (Stream, Spray, and Pause)
- 12.5" Extended Hose Length
- 360° Rotating Spout
- AccuDock™ Sprayhead Docking
- Mounting Hardware Included
- Optional Deckplate Available, Order 961-201* Separately
- Forward Handle Operation
- Pfast Connect™
- Pforever Seal™ Ceramic Disc Valve
- Pforever Warranty®

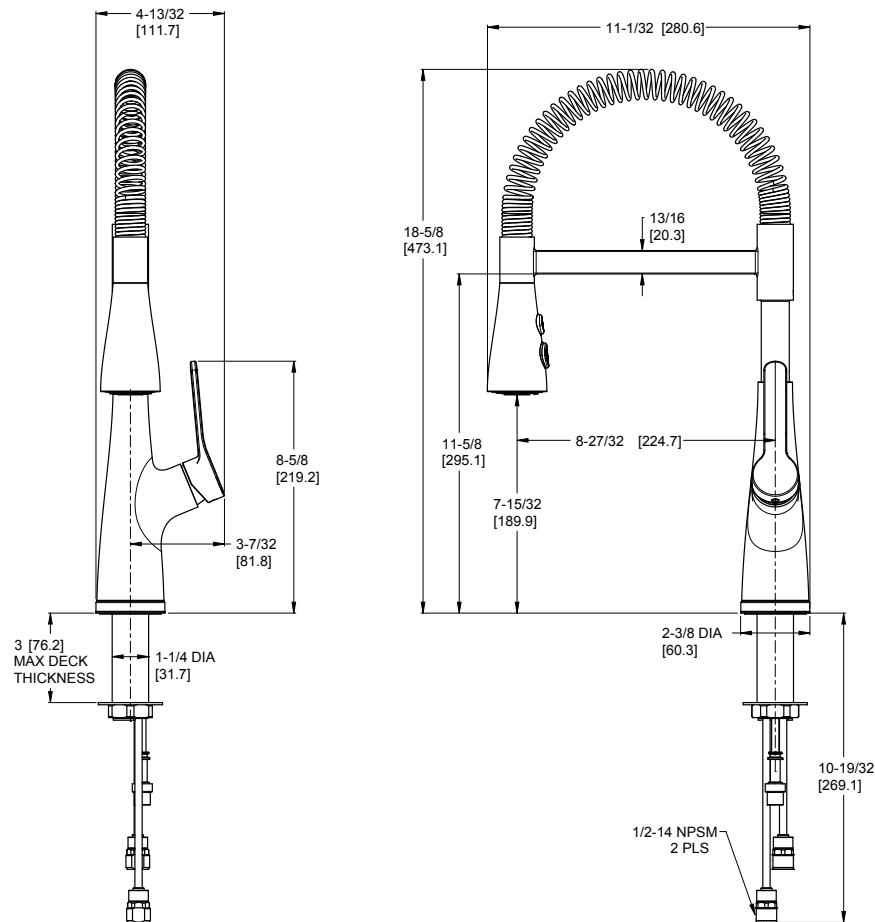
Code Compliance

Pfister products are designed and manufactured in compliance with the following standards and codes:

- IAPMO Certified to ASME A112.18.1/ CSA B125
- Certified to NSF 61/9 Annex G (Low lead)
- ADA Compliant-ANSI A117.1 (lever handles only)
- CALGreen Compliant
- CEC Compliant
- ASME A112.18.3 (Backflow Prevention)



Dimensions



Ø1-3/8 Min to Ø1-1/2 Max. Deck Hole Openings