

CashAcme™

EB25 Pressure Regulating Valve

The EB25 from Cash Acme brings state-of-the-art water control technology to pressure regulators. The EB25 features a full cartridge, a convenient orange pressure adjustment twist-cap, and numerical indicator which makes installation a quick, one-man job.

BIM Available [Online](#)

Approved Applications

Commercial and domestic water applications.

Specification Data

Performance

Inlet pressure	300 psi
Maximum temperature	33°F - 180°F (82.2°C)
Service	Water
Outlet pressure range	20-90 psi

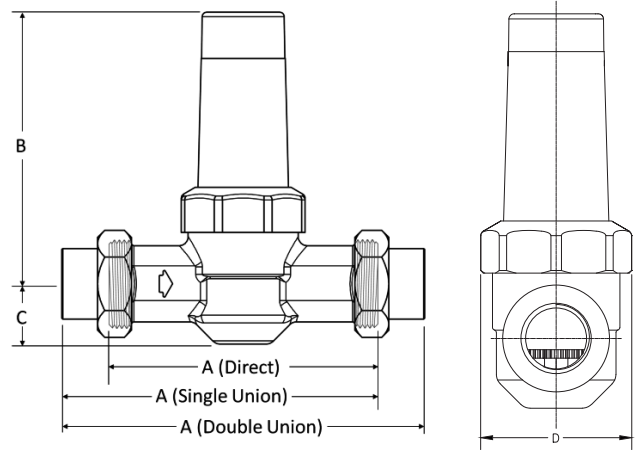
Water Capacity (gpm)

Pipe Size	P2 Var	Differential Pressure (P ₁ -P ₂) PSI			
		10	25	50	100+
1/2"	5	4.4	5.4	5.4	6.0
3/4"	10	11.9	12.3	13.0	14
	15	19.3	19.4	20.7	21
1"	20	24.7	26.2	26.0	26.0
	5	18.5	20.0	25.4	25.7
1-1/4"	10	43.2	25.5	48.6	50.4
1-1/2"	15	64.8	67.4	69.5	70.5
	20	77.7	80.3	87.8	95.2

Materials

Body	Lead Free ¹ Bronze or Stainless Steel
Spring Chamber	Nylon
Adjusting Spring	Steel (zinc Plated)
Diaphragm	Reinforced EPDM
Body Seat	Polysulphone
Seat Disc	EPDM
Piston	Stainless Steel
Strainer Screen	Stainless steel
Pressure Plate	Steel (Zinc Plated)

¹ Lead Free for all models, surfaces that are in contact with consumable water contain less than 0.25% lead by weight.



Dimensions (inches)

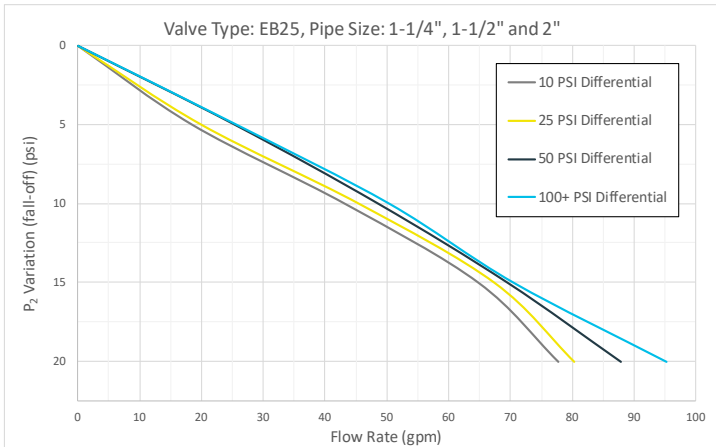
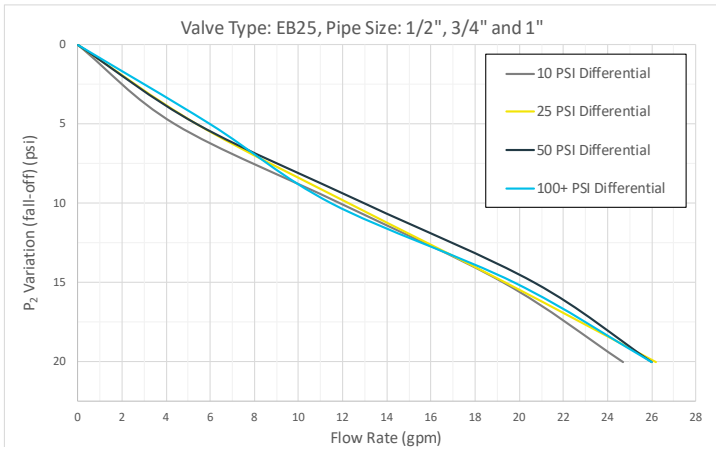
Size	Connection Style	A			B	C
		Direct	Single Union	Double Union		
1/2"	NPT	-	5.77	-	4.92	1.06
	Sweat	-	5.62	-	4.92	1.06
	Cold Expansion	-	-	5.44	4.37	0.75
3/4"	NPT	4.88	5.49	6.68	4.92	1.06
	Sweat	-	5.66	6.68	4.92	1.06
	Barb	-	-	7.09	4.92	1.06
1"	NPT	4.88	5.72	6.80	4.92	1.06
	Sweat	-	5.85	7.05	4.92	1.06
	Barb	-	-	7.60	4.92	1.06
1-1/4"	NPT	-	-	7.44	4.35	1.05
	Sweat	-	5.68	6.55	7.48	1.40
	Cold Expansion	-	-	8.38	7.48	1.4
1-1/2"	NPT	-	5.87	6.93	7.48	1.40
	Sweat	-	5.90	6.99	7.48	1.63
	Cold Expansion	-	-	9.15	7.48	1.63
2"	NPT	-	5.99	7.18	7.48	1.89
	Sweat	-	6.24	7.68	7.48	1.89
	Cold Expansion	-	-	10.01	7.48	1.89

Product Submittal

Name		Contractor	
Date		Tag	
Architect/Owner		Notes	

This information is proprietary to RWC and is subject to change without notice. It may not be reproduced in part or whole without written authorization.

Cash Acme EB25 Flow Capacity



Codes and Standards

ASSE 1003, CSA B356, NSF/ANSI/CAN, NSF/ANSI/CAN 61



Product Submittal

Name		Contractor	
Date		Tag	
Architect/Owner		Notes	

This information is proprietary to RWC and is subject to change without notice. It may not be reproduced in part or whole without written authorization.

US 1 877 700 4242 | sales@cashacme.com | cashacme.com
 Canada 1 888 820 0120 | canadasales@rwc.com | cashacme.ca

CAEB25PRV0621
 EN-US

