



**BRADFORD WHITE**<sup>®</sup>  
W A T E R   H E A T E R S

**REPLACEMENT PARTS LIST**

**Residential & Light Duty Commercial Gas  
Atmospheric Vent High Input Models**



**“RG” & “LG” Models**

**DEFENDER**  
SAFETY SYSTEM<sup>®</sup>

FEATURING

BRADFORD WHITE  
**ICON**  
System<sup>®</sup>

Includes Hydrojet<sup>®</sup>  
Total Performance System

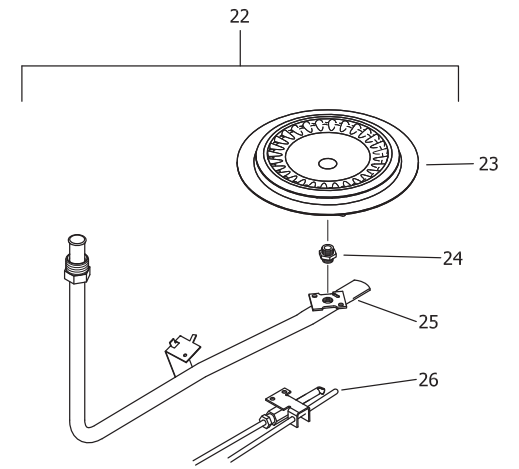
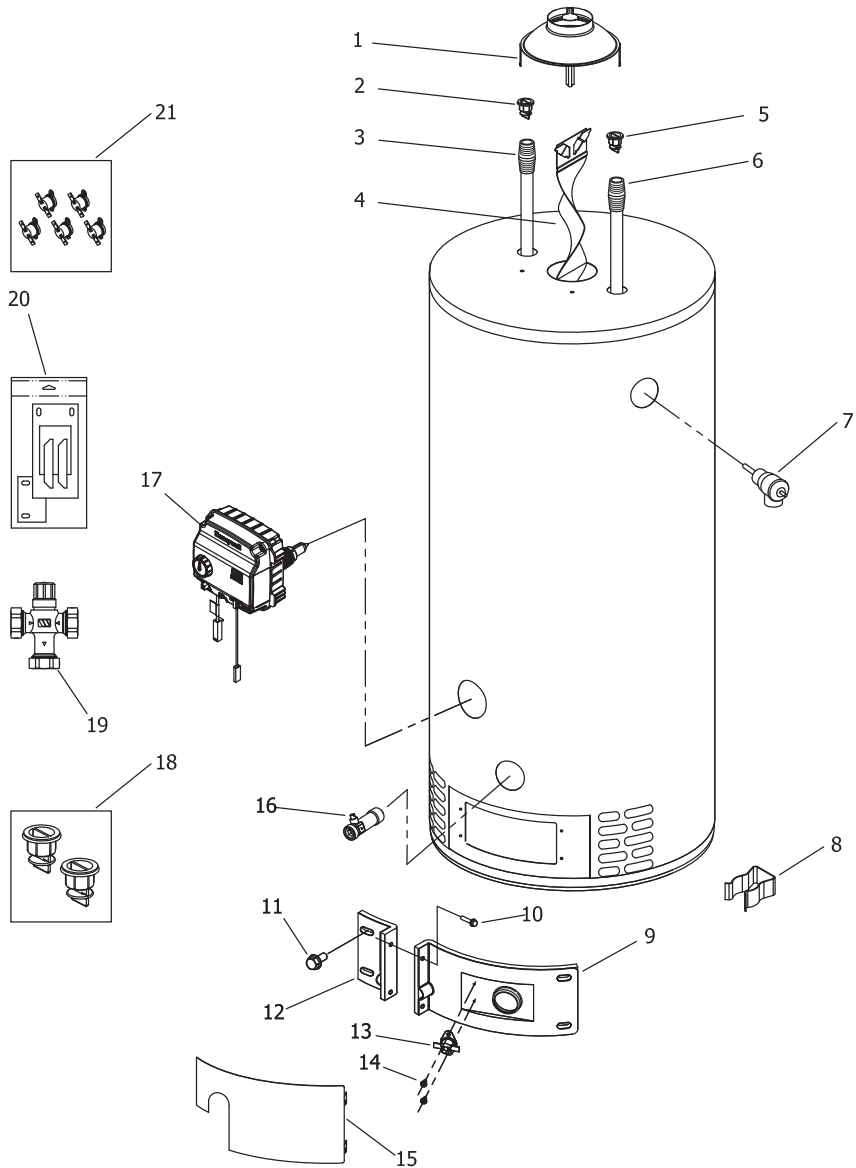
**Effective: October, 2018**  
**ECO 8188**

**NOTE: BOTH MODEL AND SERIAL  
NUMBERS ARE REQUIRED FOR  
ORDERING REPLACEMENT PARTS**

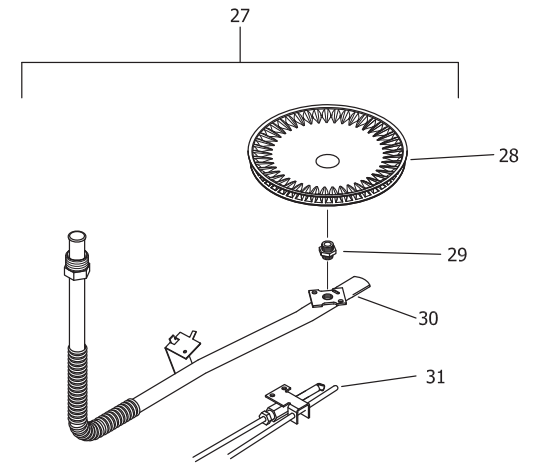
Dimensions and specifications  
subject to change without notice.

**WARNING**  
CANCER AND REPRODUCTIVE HARM  
[WWW.P65WARNINGS.CA.GOV](http://WWW.P65WARNINGS.CA.GOV)

As required by the state of California Proposition 65.



NATURAL GAS BURNER ASSEMBLY



LP GAS BURNER ASSEMBLY

Item	Description	Model	Model
		RG250H*(N,X)	LG250H65*(N,X)
1	Draft Diverter	239-33081-02-20-15	239-33081-02-20-15
2	Flue Reducer	243-42572-00	243-42572-00
3	Hot Water Outlet Anode (Magnesium)▲#	224-47776-19	224-47776-19
	Hot Water Outlet (Aluminum)▲#	224-32999-28	224-32999-28
	Hot Water Outlet (A420 Aluminum)▲#	224-49560-10	224-49560-10
4	Flue Core	239-51837-00	239-50666-00
5	Cold Water Inlet Dip Tube (PEX)▲	229-45092-06	229-51230-29
6	T&P Relief Valve	230-40594-02	230-40594-02
7	3/4 NPT Pipe Plug	239-11638-00	239-11638-00
8	Feedline Clip	239-47475-00	239-47475-00
9	Right Side Inner Door Complete	239-43963-07	239-43963-07
10	Screw-#8-15 x 3/4 INHXWS	239-44195-00	239-44195-00
11	Screw-#10-12 x 3/4 HWH	239-44113-00	239-44113-00
12	Left Side Inner Door Complete	239-43968-18	239-43968-18
13	Resettable Thermal Switch	239-43676-02	239-43676-02
14	Screw-#6-20 x 3/8 PHCR	239-43967-00	239-43967-00
15	Outer Door	243-43962-00	243-43962-00
16	Brass Drain Valve	265-42351-02	265-42351-02
17	Gas Control Direct Replacement (Nat. Gas)	415-52907-02	415-52908-02
	Gas Control Direct Replacement (LP Gas)	415-52909-02	415-52910-02
	Gas Control Universal Replacement (Nat. Gas)	415-53359-00	415-53359-00
	Gas Control Universal Replacement (LP Gas)	415-53360-00	415-53360-00
18	Kit-Heat Trap Insert (Inlet & Outlet)	265-45420-00	265-51572-00
19	ASSE Approved Mixing Valve (Optional)	239-51778-00	239-51778-00
20	Inner Door Gasket Kit	239-44078-00	239-44078-00
21	Resettable Thermal Switch Kit (5 pcs.)	265-48643-02	265-48643-02
	<b>Natural Gas Burner Assembly</b>		
22	Nat Gas Burner Assembly Complete*** **	265-47439-05-27	265-47439-05-27
23	Nat. Gas Burner**	228-42506-00	228-42506-00
24	Nat. Gas Main Burner Orifice** (0 Ft. to 2,000 Ft.)	234-41034-27	234-41034-27
	Nat. Gas High Altitude Orifice 0 Ft. to 7000 Ft. (-475 model suffixes) **	234-41034-30	234-41034-30
	Nat. Gas High Altitude Kit 7,001 Ft. to 10,000 Ft.	265-51311-02-31	265-51311-02-31
25	Feedline	233-48094-04	233-48094-04
26	Nat. Gas Pilot Assembly**	233-47845-05	233-47845-05
	<b>LP Gas Burner Assembly</b>		
27	LP Gas Burner Assembly Complete*** **	265-47440-12-43	265-47440-12-43
28	LP Gas Burner**	228-47000-00	228-47000-00
29	LP Gas Main Burner Orifice**	234-47064-43	234-47064-43
	LP Gas High Altitude Orifice 0 Ft. to 7,000 Ft. (-475 model suffixes) **	234-47064-46	234-47064-46
	LP Gas High Altitude Orifice 7,001 Ft. to 10,000 Ft.**	265-51367-02-48	265-51367-02-48
30	Feedline	233-47108-04	233-47108-04
31	LP Gas Pilot Assembly**	233-47846-04	233-47846-04
	LP to Nat. Gas Conversion Kit	265-45712-82	265-45712-86
	LP to Nat. Gas High Altitude Conversion Kit (-475 model suffixes)	265-45712-83	265-45712-87

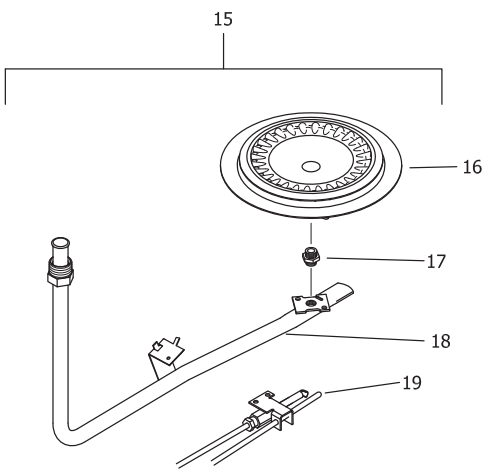
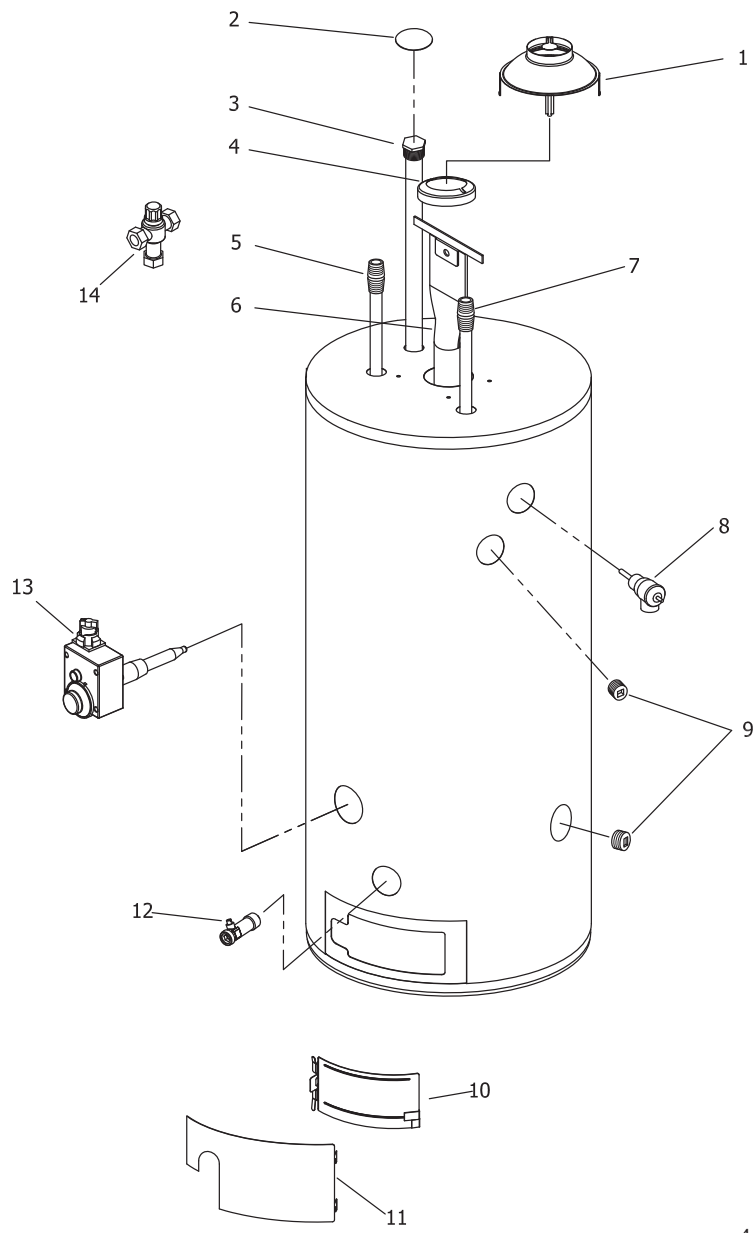
\*Applies to all warranties

\*\*Inner door gasket kit recommended

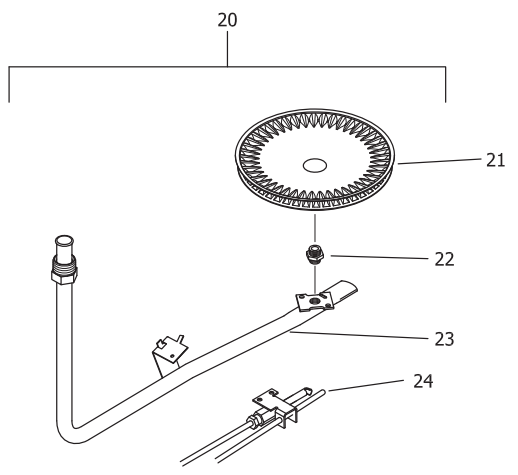
\*\*\*Ordering a complete burner assembly may increase delivery time.  
Please order the specific component required for the quickest delivery.

#Anode may need to be cut to length

▲Order with item 20



NATURAL GAS BURNER ASSEMBLY



LP GAS BURNER ASSEMBLY

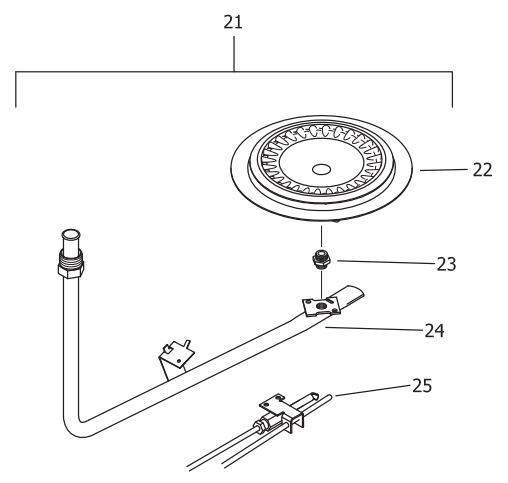
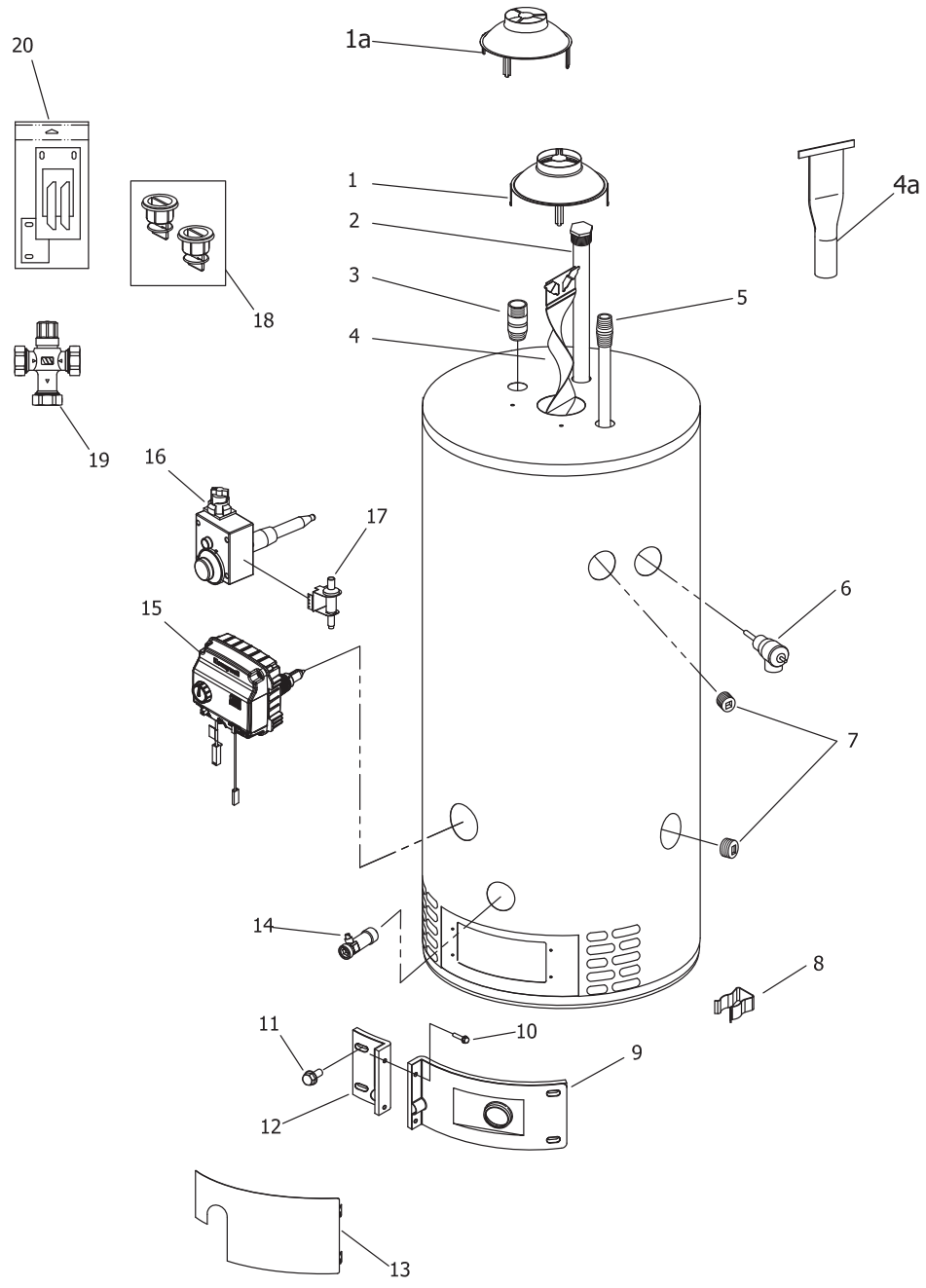
Item	Description	Model	Model
		RG155H*(N,X)	LG155H80*(N,X)
1	Draft Diverter	239-33081-02-20-15	239-33081-02-20-15
2	Hole Closure	239-31547-02	239-31547-02
3	Hex head Sacrificial Anode (Magnesium) #	224-47782-08	224-47782-08
	Hex head Sacrificial Anode (Aluminum) #	224-38508-07	224-38508-07
	Hex head Sacrificial Anode (A420 Aluminum) #	224-49559-04	224-49559-04
4	Flue Reducer	243-42572-00	243-42572-00
5	Hot Water Outlet Anode (Magnesium) #	224-47776-13	224-47776-13
	Hot Water Outlet Anode (Aluminum) #	224-32999-13	224-32999-13
	Hot Water Outlet Anode (A420 Aluminum) #	224-49560-05	224-49560-05
6	Flue Core	239-45676-00	239-45676-00
7	Cold Water Inlet Dip Tube (Polysulfone)	229-45092-02	229-45092-02
8	T&P Relief Valve	230-40594-02	230-40594-02
9	3/4 NPT Pipe Plug	239-11638-00	239-11638-00
10	Inner Door Assembly	243-46049-00	243-46049-00
11	Outer Door	243-41061-00	243-41061-00
12	Brass Drain Valve	265-42351-02	265-42351-02
13	Gas Control Direct Replacement (Natural Gas)	265-47444-01	265-47444-01
	Gas Control Direct Replacement (LP Gas)	265-47445-01	265-47445-01
14	ASSE Approved Mixing Valve (Optional)	239-51778-00	239-51778-00
	<b>Natural Gas Burner Assembly</b>		
15	Nat Gas Burner Assembly Complete***	265-46004-03-20	265-46004-03-20
16	Nat. Gas Burner**	228-42506-00	228-42506-00
17	Nat. Gas Main Burner Orifice 0 Ft. to 2,000 Ft.**	234-41034-20	234-41034-20
	Nat. Gas High Altitude 0 Ft. to 7000 Ft. (-475 model suffixes)**	234-41034-26	234-41034-26
	Nat. Gas High Altitude Kit 7,001 Ft. to 10,000 Ft.	265-51311-02-29	265-51311-02-29
18	Feedline **	233-43660-15	233-43660-15
19	Nat. Gas Pilot Assembly**	233-40248-05	233-40248-05
	<b>LP Gas Burner Assembly</b>		
20	LP Gas Burner Assembly Complete***	265-47037-03-38	265-47037-03-38
21	LP Gas Burner**	228-46938-00	228-46938-00
22	LP Gas Main Burner Orifice 0 Ft. to 2,000 Ft.**	234-47064-38	234-47064-38
	LP Gas High Altitude Orifice 0 Ft. to 7,000 Ft. (-475 model suffixes)**	234-47064-42	234-47064-42
	LP Gas High Altitude Kit 7,001 Ft. to 10,000 Ft.	265-51367-02-44	265-51367-02-44
23	Feedline**	233-46939-02	233-46939-02
24	LP Gas Pilot Assembly**	233-40261-03	233-40261-03
	LP to Nat. Gas Conversion Kit	265-45713-04	265-45713-04
	LP to Nat. Gas High Altitude Conversion Kit	265-45713-06	265-45713-06

\*Applies to all warranties

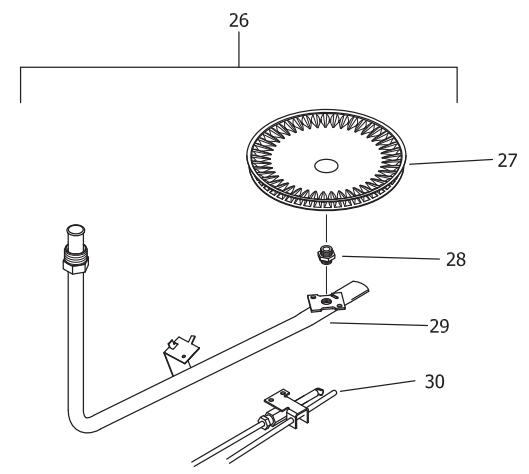
\*\* Inner Door Gasket Kit Recommended

\*\*\*Ordering a complete burner assembly may increase delivery time.  
Please order the specific component required for the quickest delivery.

# Anode may need to be cut to length



NATURAL GAS BURNER ASSEMBLY

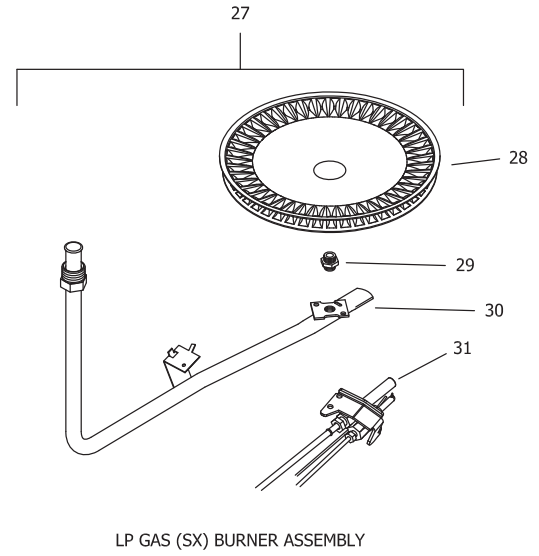
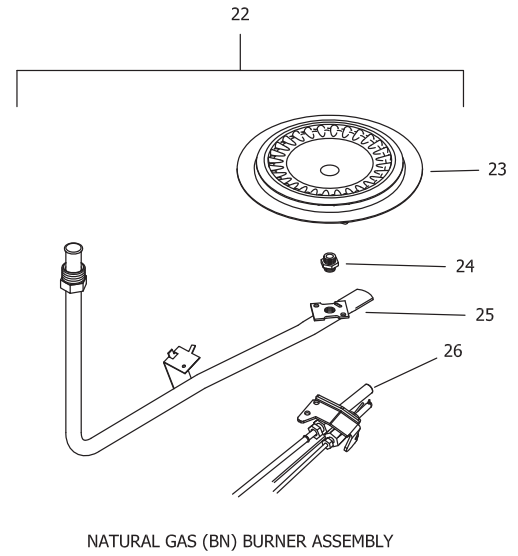
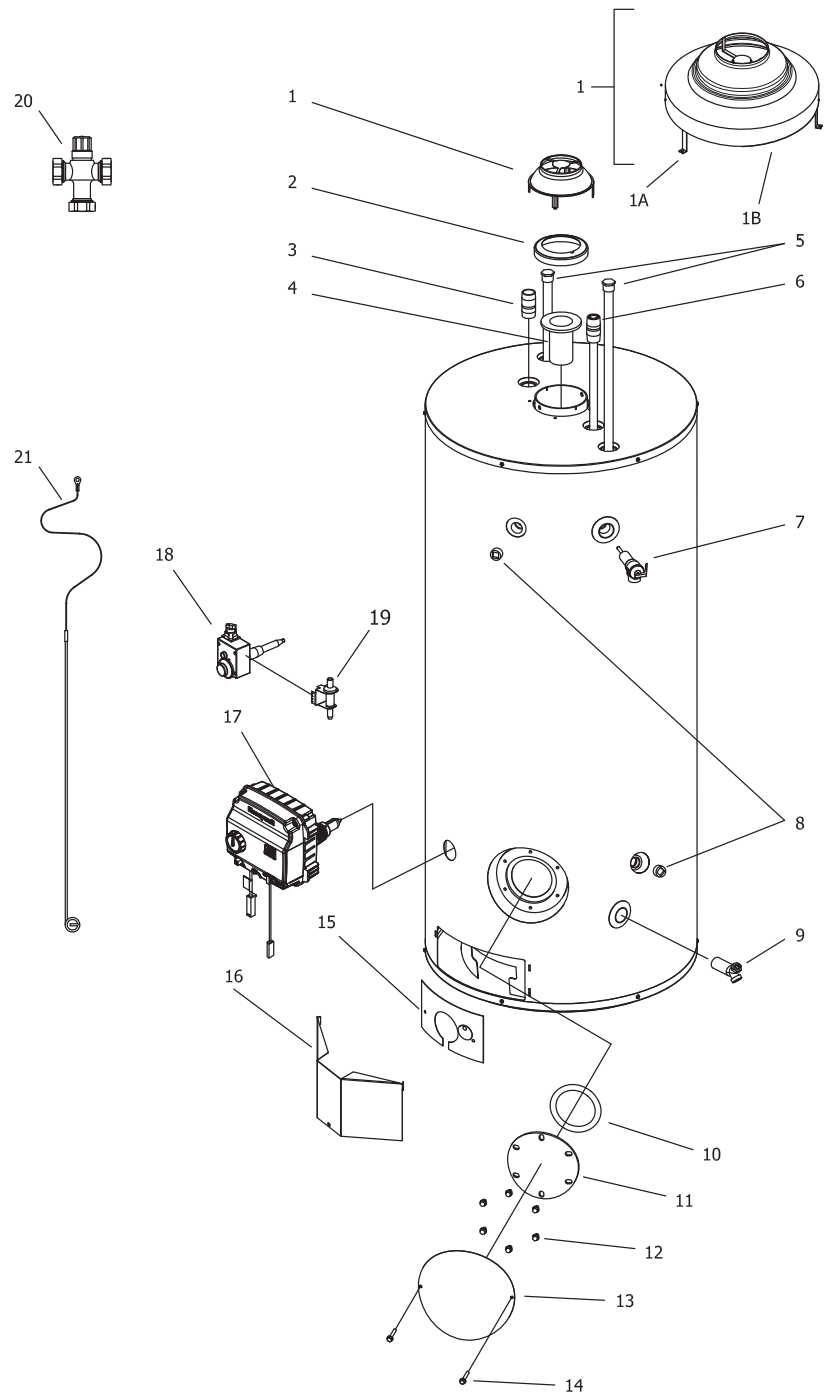


LP GAS BURNER ASSEMBLY

Item Description	Model	Model	Model	Model
	RG275H*(N,X)	LG275H76*(N,X)	RG275H*(N,X)-500	LG275H76*(N,X)-500
1 Draft Diverter ■	239-12950-00	239-12950-00	239-12950-00	239-12950-00
1a Draft Diverter ►	243-33081-01	243-33081-01	243-33081-01	243-33081-01
2 Hex head Sacrificial Anode (Magnesium) #	224-47782-08	224-47782-08	224-47782-08	224-47782-08
Hex head Sacrificial Anode (Aluminum) #	224-38508-07	224-38508-07	224-38508-07	224-38508-07
Hex head Sacrificial Anode (A420 Aluminum) #	224-49559-04	224-49559-04	224-49559-04	224-49559-04
3 Outlet Nipple 1 NPT X 2 1/2"	229-50053-02	229-50053-02	229-50053-02	229-50053-02
4 Flue Baffle ■	243-47379-00	243-47379-00	243-47379-00	243-47379-00
4a Flue Core ►	239-50666-00	239-50666-00	239-50666-00	239-50666-00
5 Cold Water Inlet Dip Tube (Polysulfone)	229-47040-01	229-47040-01	229-47040-01	229-47040-01
6 T&P Relief Valve	230-40594-02	230-40594-02	230-40594-02	230-40594-02
7 3/4 NPT Pipe Plug	239-11638-00	239-11638-00	239-11638-00	239-11638-00
8 Feedline Clip	239-47475-00	239-47475-00	239-47475-00	239-47475-00
9 Right Side Inner Door Complete	239-47504-22	239-47504-22	239-47504-22	239-47504-22
10 Screw-#8-15 x 3/4 INHXWS	239-44195-00	239-44195-00	239-44195-00	239-44195-00
11 Screw-#10-12 x 3/4 HWH	239-44113-00	239-44113-00	239-44113-00	239-44113-00
12 Left Side Inner Door Complete	239-43968-20	239-43968-20	239-43968-20	239-43968-20
13 Outer Door	243-43962-00	243-43962-00	243-43962-00	243-43962-00
14 Brass Drain Valve	265-42351-02	265-42351-02	265-42351-02	265-42351-02
15 Honeywell Gas Control Direct Replacement (Natural Gas)	415-53361-03	415-53361-05	---	---
Honeywell Gas Control Direct Replacement (LP Gas)	415-53361-04	415-53361-06	---	---
16 White Rodgers Gas Control Direct Replacement (Natural Gas)	---	---	265-40251-03	265-46365-02
White Rodgers Gas Control Direct Replacement (LP Gas)	---	---	265-40258-03	265-46366-02
17 Piezo Igniter Kit	---	---	243-43450-00	243-43450-00
18 Kit-Heat Trap Insert (Inlet & Outlet)	265-51572-00	265-51572-00	265-51572-00	265-51572-00
19 ASSE Approved Mixing Valve (Optional)	239-51778-00	239-51778-00	239-51778-00	239-51778-00
20 Inner Door Gasket Kit	239-47792-00	239-47792-00	239-47792-00	239-47792-00
<b>Natural Gas Burner Assembly</b>				
21 Nat Gas Burner Assembly Complete***	265-48110-05-22	265-48110-05-22	265-47767-02-22	265-47767-02-22
22 Nat. Gas Burner **	228-47000-00	228-47000-00	228-47000-00	228-47000-00
23 Nat. Gas Main Burner Orifice 0 Ft. to 2,000 Ft.**	234-41034-22	234-41034-22	234-41034-22	234-41034-22
Nat. Gas High Altitude 0 Ft. to 7000 Ft. (-475 model suffixes) **	234-41034-27	234-41034-27	234-41034-27	234-41034-27
Nat. Gas High Altitude Kit 7,001 Ft. to 10,000 Ft.	265-51311-01-29	265-51311-01-29	265-51311-01-29	265-51311-01-29
24 Feedline **	233-48095-04	233-48095-04	233-48095-04	233-48095-04
25 Nat. Gas Pilot Assembly **	233-48077-03	233-48077-03	233-41062-03	233-41062-03
<b>LP Gas Burner Assembly</b>				
26 LP Gas Burner Assembly Complete***	265-48254-02-38	265-48254-02-38	265-47768-02-38	265-47768-02-38
27 LP Gas Burner **	228-46938-00	228-46938-00	228-46938-00	228-46938-00
28 LP Gas Main Burner Orifice 0 Ft. to 2,000 Ft.**	234-47064-38	234-47064-38	234-47064-38	234-47064-38
LP Gas High Altitude 0 Ft. to 7,000 Ft. (-475 model suffixes) **	234-47064-42	234-47064-42	234-47064-42	234-47064-42
LP Gas High Altitude Kit 7,001 Ft. to 10,000 Ft.	265-51367-03-44	265-51367-03-44	265-51367-03-44	265-51367-03-44
29 Feedline **	233-47677-04	233-47677-04	233-47677-04	233-47677-04
30 LP Gas Pilot Assembly **	233-48078-03	233-48078-03	233-41063-03	233-41063-03
LP to Nat. Gas Conversion Kit	265-53403-07	265-53403-09	265-45754-02	265-45754-07
LP to Nat. Gas High Altitude Conversion Kit	265-53403-11	265-53403-11	265-45754-05	265-45754-05

- For serial numbers starting before "XX"
- For serial numbers starting with or after "XX"
- # Anode may need to be cut to length
- \*Applies to all warranties
- \*\* Inner Door Gasket Kit Recommended

\*\*\*Ordering a complete burner assembly may increase delivery time.  
Please order the specific component required for the quickest delivery.

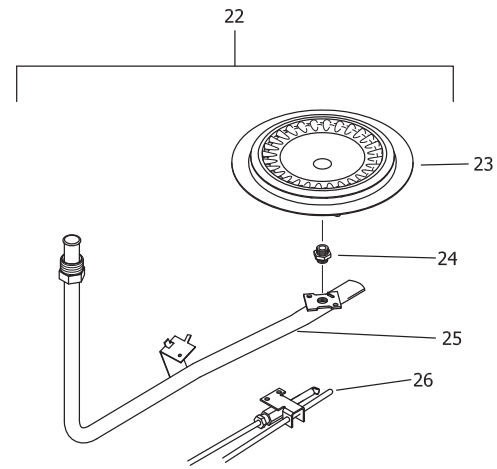
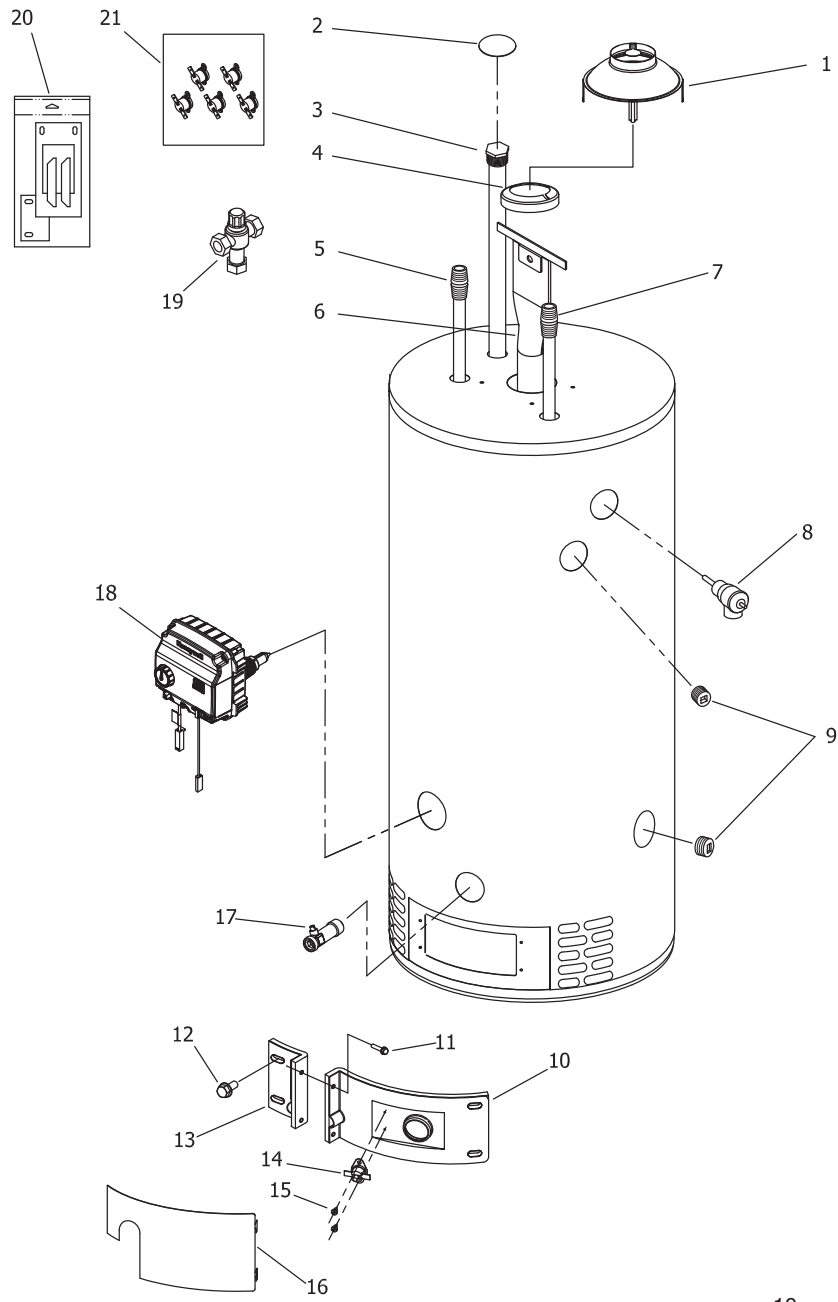




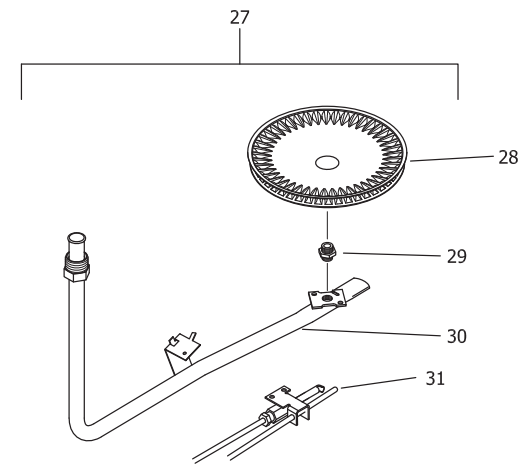
Item Description	Model	Model	Model	Model
	RG2100H*(N,X)	LG2100H*85(N,X)	RG2100H*(N,X)-500	LG2100H*85(N,X)-500
1 Draft Diverter assembly kit ▶	265-52089-00	265-52089-00	265-52089-00	265-52089-00
1A Draft Diverter Leg Kit Only▶	243-43689-03	243-43689-03	243-43689-03	243-43689-03
1B Draft Diverter Only▶	239-52089-00-16	239-52089-00-16	239-52089-00-16	239-52089-00-16
2 Flue Reducer	243-36920-00	243-36920-00	243-36920-00	243-36920-00
3 Outlet Nipple	229-40913-03	229-40913-03	229-40913-03	229-40913-03
4 Flue Core ▶	239-52063-00	239-52063-00	239-52063-00	239-52063-00
5 Hex head Sacrificial Anode (x2) (Magnesium) #	224-47782-08	224-47782-08	224-47782-08	224-47782-08
Hex head Sacrificial Anode (x2) (Aluminum) #	224-38508-07	224-38508-07	224-38508-07	224-38508-07
Hex head Sacrificial Anode (x2) (A420 Aluminum) #	224-49559-04	224-49559-04	224-49559-04	224-49559-04
6 Cold Water Inlet Dip Tube (Polysulfone)	229-46993-01	229-46993-01	229-46993-01	229-46993-01
7 T&P Relief Valve	230-40594-02	230-40594-02	230-40594-02	230-40594-02
8 3/4 NPT Pipe Plug	239-11638-00	239-11638-00	239-11638-00	239-11638-00
9 Brass Drain Valve	265-42351-02	265-42351-02	265-42351-02	265-42351-02
10 Cleanout O-Ring Gasket	205-18427-00	205-18427-00	205-18427-00	205-18427-00
11 Cleanout Cover	205-18428-00	205-18428-00	205-18428-00	205-18428-00
12 Cleanout Screw 5/16-18x1/2 hex (x6)	239-82166-00	239-82166-00	239-82166-00	239-82166-00
13 Cleanout Jacket Cover	243-20299-00	243-20299-00	243-20299-00	243-20299-00
14 Cleanout Jacket Cover Screw 1/2-13x1 1/4 (x2)	239-43251-00	239-43251-00	239-43251-00	239-43251-00
15 Inner Door Complete	243-39207-00	243-39207-00	243-39207-00	243-39207-00
16 Outer Door	243-37177-00	243-37177-00	243-37177-00	243-37177-00
17 Honeywell Gas Control Direct Replacement (Natural Gas)	415-53361-03	415-53361-05	---	---
Honeywell Gas Control Direct Replacement (LP Gas)	415-53361-04	415-53361-06	---	---
18 White Rodgers Gas Control Direct Replacement (Natural Gas)	---	---	265-40251-07	265-46365-04
White Rodgers Gas Control Direct Replacement (LP Gas)	---	---	265-40258-06	265-46366-03
19 Piezo Igniter Kit	---	---	243-43450-00	243-43450-00
20 ASSE Approved Mixing Valve (Optional)	239-51778-00	239-51778-00	239-51778-00	239-51778-00
21 Match holder with cable	---	---	239-39336-00	239-39336-00
<b><u>Natural Gas Burner Assembly</u></b>				
22 Nat Gas Burner Assembly Complete***	265-52024-00-18	265-52024-00-18	265-52047-00-18	265-52047-00-18
23 Nat. Gas Burner **	228-52013-00	228-52013-00	228-52013-00	228-52013-00
24 Nat. Gas Main Burner Orifice 0 Ft. to 2,000 Ft.**	234-41034-18	234-41034-18	234-41034-18	234-41034-18
Nat. Gas High Altitude 0 Ft. to 7000 Ft. (-475 model suffixes) **	234-41034-23	234-41034-23	234-41034-23	234-41034-23
Nat. Gas High Altitude Kit 7,001 Ft. to 10,000 Ft.	265-51311-03-27	265-51311-03-27	265-51311-03-27	265-51311-03-27
25 Feedline **	233-48209-01	233-48209-01	233-48209-01	233-48209-01
26 Nat. Gas Pilot Assembly **	233-48077-03	233-48077-03	233-40248-05	233-40248-05
<b><u>LP Gas Burner Assembly</u></b>				
27 LP Gas Burner Assembly Complete***	265-48255-01-35	265-48255-01-35	265-47013-01-35	265-47131-01-35
28 LP Gas Burner **	228-46938-00	228-46938-00	228-46938-00	228-46938-00
29 LP Gas Main Burner Orifice 0 Ft. to 2,000 Ft.**	234-47064-35	234-47064-35	234-47064-35	234-47064-35
LP Gas High Altitude 0 Ft. to 7,000 Ft. (-475 model suffixes) **	234-47064-39	234-47064-39	234-47064-39	234-47064-39
LP Gas High Altitude Kit 7,001 Ft. to 10,000 Ft.	265-51367-01-42	265-51367-01-42	265-51367-01-42	265-51367-01-42
30 Feedline **	233-47065-02	233-47065-02	233-47065-02	233-47065-02
31 LP Gas Pilot Assembly **	233-48078-03	233-48078-03	233-40261-03	233-41063-03
LP to Nat. Gas Conversion Kit	265-53403-02	265-53403-01	265-53403-02	265-53403-01
LP to Nat. Gas High Altitude Conversion Kit	265-53403-12	265-53403-12	265-53403-12	265-53403-12

- For serial numbers starting before "ND"
- ▶ For serial numbers starting with or after "ND"
- # Anode may need to be cut to length
- \*Applies to all warranties
- \*\* Inner Door Gasket Kit Recommended

\*\*\*Ordering a complete burner assembly may increase delivery time.  
Please order the specific component required for the quickest delivery.



NATURAL GAS BURNER ASSEMBLY



LP GAS BURNER ASSEMBLY

Item	Description	Model	Model
		RG255H*(N,X)	LG255H80*(N,X)
1	Draft Diverter	239-33081-02-20-15	239-33081-02-20-15
2	Hole Closure	239-31547-02	239-31547-02
3	Hex head Sacrificial Anode (Magnesium) #	224-47782-08	224-47782-08
	Hex head Sacrificial Anode (Aluminum) #	224-38508-01	224-38508-01
	Hex head Sacrificial Anode (A420 Aluminum) #	224-49559-04	224-49559-04
4	Flue Reducer	243-42572-00	243-42572-00
5	Hot Water Outlet Anode (Magnesium) #	224-47776-13	224-47776-13
	Hot Water Outlet Anode (Aluminum) #	224-32999-13	224-32999-13
	Hot Water Outlet Anode (A420 Aluminum) #	224-49560-05	224-49560-05
6	Flue Core	239-45676-00	239-45676-00
7	Cold Water Inlet Dip Tube (Polysulfone)	229-45092-02	229-45092-02
8	T&P Relief Valve	230-40594-03	230-40594-03
9	3/4 NPT Pipe Plug	239-11638-00	239-11638-00
10	Right Side Inner Door Complete	239-43963-07	239-43963-07
11	Screw-#8-18 x 3/4 HWH	239-44195-00	239-44195-00
12	Screw-#10-12 x 3/4 HWH	239-44113-00	239-44113-00
13	Left Side Inner Door Complete	239-43968-18	239-43968-18
14	Resettable Thermal Switch	239-43676-02	239-43676-02
15	Screw-#6-20 x 3/8 PHCR	239-43967-00	239-43967-00
16	Outer Door	243-43962-00	243-43962-00
17	Brass Drain Valve	227-48070-02	227-48070-02
18	Gas Control Direct Replacement (Natural Gas)	415-52908-02	415-52908-02
	Gas Control Direct Replacement (LP Gas)	415-52910-02	415-52910-02
19	ASSE Approved Mixing Valve (Optional)	239-51778-00	239-51778-00
20	Inner Door Gasket Kit	239-44078-00	239-44078-00
21	Resettable Thermal Switch Kit (5 pcs.)	265-48643-02	265-48643-02
	<b>Natural Gas Burner Assembly</b>		
22	Nat Gas Burner Assembly Complete***	265-47439-19-19	265-47439-19-19
23	Nat. Gas Burner**	228-47000-00	228-47000-00
24	Nat. Gas Main Burner Orifice 0 Ft. to 2,000 Ft.**	234-41034-19	234-41034-19
	Nat. Gas High Altitude 0 Ft. to 7000 Ft. (-475 model suffixes)**	234-41034-25	234-41034-25
	Nat. Gas High Altitude Kit 7,001 Ft. to 10,000 Ft.	265-51311-02-28	265-51311-02-28
25	Feedline **	233-48094-05	233-48094-05
26	Nat. Gas Pilot Assembly**	233-47845-05	233-47845-05
	<b>LP Gas Burner Assembly</b>		
27	LP Gas Burner Assembly Complete***	265-47440-30-38	265-47440-30-38
28	LP Gas Burner**	228-47000-00	228-47000-00
29	LP Gas Main Burner Orifice 0 Ft. to 2,000 Ft.**	234-41034-38	234-41034-38
	LP Gas High Altitude Orifice 0 Ft. to 7,000 Ft. (-475 model suffixes)**	234-41034-42	234-41034-42
	LP Gas High Altitude Kit 7,001 Ft. to 10,000 Ft.	265-51367-02-44	265-51367-02-44
30	Feedline**	233-47108-05	233-47108-05
31	LP Gas Pilot Assembly**	233-47846-05	233-47846-05
	LP to Nat. Gas Conversion Kit	TBD	TBD
	LP to Nat. Gas High Altitude Conversion Kit	TBD	TBD

# Anode may need to be cut to length

\*Applies to all warranties

\*\* Inner Door Gasket Kit Recommended

\*\*\*Ordering a complete burner assembly may increase delivery time.  
Please order the specific component required for the quickest delivery.



# **BRADFORD WHITE®**

W A T E R H E A T E R S

Ambler, PA

For U.S. and Canada field service,  
contact your professional installer or  
local Bradford White sales representative.

**Sales/800-523-2931**

**Technical Support/800-334-3393**  
**Email/techserv@bradfordwhite.com**

**Warranty/800-531-2111**  
**Email/warranty@bradfordwhite.com**

**Service Parts/800-538-2020**  
**Email/Parts@bradfordwhite.com**

**International:**  
**international@bradfordwhite.com**



# **BRADFORD WHITE™** **CANADA**

Halton Hills, Ontario, Canada

**Sales & Technical Support/866-690-0961**  
**905-203-0600**

**Fax/905-636-0666**

## **Email**

**Warranty/bwccwarranty@bradfordwhite.com**  
**Technical Support/BWCCTech@bradfordwhite.com**  
**Parts/orders@bradfordwhitecanada.com**  
**Orders/ca.orders@bradfordwhite.com**

**www.bradfordwhite.com**